

Technical catalogue



Quarter turn actuated valves
in PVC-U, PVC-C, PP-H, PVDF



Pressure piping fluids conveying



Contents

PVC-U - PVC-C - PP-H - PVDF

General characteristics PVC-U 4

Main properties PVC-U 6

General characteristics PVC-C 7

Main properties PVC-C 9

General characteristics PP-H 10

Main properties PP-H 12

General characteristics PVDF 13

Main properties PVDF 15

Reference standards 18

Approvals and quality marks 20

VKD/CE-VKD/CP DN 10÷50

Electrically or pneumatically actuated 2-way
DUAL BLOCK® ball valve 24

VKD/CE-VKD/CP DN 65÷100

Electrically or pneumatically actuated 2-way
DUAL BLOCK® ball valve 108

VKR/CE DN 10÷50

Electrically actuated 2-way
DUAL BLOCK® regulating ball valve 190

TKD/CE-TKD/CP DN 10÷50

Electrically or pneumatically actuated 3-way
DUAL BLOCK® ball valve 226

VXE/CE-VXE/CP DN 65÷100

Electrically or pneumatically actuated 2-way
Easyfit ball valve 306

ACCESSORIES

Quarter turn electrically actuated valves accessories 336

Quarter turn pneumatically actuated valves accessories 343

LEGEND 349



GENERAL CHARACTERISTICS AND MATERIAL PROPERTIES

PVC-U / PVC-C / PP-H / PVDF



PVC-U

General characteristics

Developed in 1930 in Germany, PVC-U (rigid polyvinyl chloride- unplasticized) is obtained through the polymerization of a vinyl chloride monomer.

The presence of chlorine in the PVC-U molecule results in a high performance resin, in terms of thermal stability and chemical and mechanical resistance, up to temperatures of 60° C.

The different formulations obtained by adding suitable additives and stabilizers render the PVC-U the most versatile of all plastic materials, allowing it to be adapted to many applications involving fluids under pressure.

PVC-U represents one of the more economic solutions in the field of thermoplastic and metal materials for resolving problems in the transport of corrosive chemical fluids, and in the distribution and treatment of water in general.

The main reasons for this preference are the unique characteristics of the resin, which include:

- **Good chemical resistance:** PVC-U resins have excellent chemical resistance to most acids and alkalis, paraffin/aliphatic hydrocarbons and saline solutions. It is not recommended for the transport of polar organic compounds, including some types of chlorinated and aromatic solvents.

PVC-U resins are also fully compatible with the transport of foodstuffs, demineralised water, potable water and unconditioned water, as provided for by current national and international standards.

PVC-U resins are also characterised by their low permeability to oxygen and reduced water absorption (0.1% at 23 °C according to ASTM D 570).

- **Good thermal stability:** PVC-U resins have good thermal stability in the temperature range between 20 °C and 50 °C and are typically used in industrial and water supply applications, guaranteeing excellent mechanical strength, sufficient rigidity for the purpose, reduced thermal expansion coefficients and high factors of safety in service.

PVC-U compounds are also resistant to combustion with a flash point of 399 °C.

The flame, in fact, only persists if the oxygen concentration is twice that of atmospheric or in the presence of a flame from an external source. Flash point: 399° C. Oxygen index: 45%. UL 94 class: V0. Thanks to the reduced coefficient of thermal conductivity ($\lambda = 0.15 \text{ W/m } ^\circ\text{C}$ according to ASTM C177) the use of PVC-U resin for transporting hot fluids reduces heat loss and virtually eliminates condensation problems.










- **Good mechanical strength:** The thermal stability of the material leads to good impact resistance and the capacity to support service pressures of 4 – 6 – 10 – 16 bar at 20°C.

- **Resistance to ageing:** PVC-U resins have a high circumferential breaking strength (Minimum Required Strength MRS $\geq 25.0 \text{ MPa}$ at 20°C) and allow long installation lifetimes without showing any signs of significant physical-mechanical deterioration.

Density	
Test method	ISO 1183 - ASTM D792
Unit of measurement	g/cm ³
Value	1.38
Modulus of elasticity	
Test method	ISO 527
Unit of measurement	MPa = N/mm ²
Value	3200
IZOD notched impact strength at 23°C	
Test method	ASTM D256
Unit of measurement	J/m
Value	50
Ultimate elongation	
Test method	ISO 527
Unit of measurement	%
Value	50
Shore hardness	
Test method	ISO 868
Unit of measurement	Shore D
Value	80
Tensile strength	
Test method	ISO 527
Unit of measurement	MPa = N/mm ²
Value	50
VICAT softening point (B/50)	
Test method	ISO 306
Unit of measurement	°C
Value	76
Heat distortion temperature HDT (0.46 N/mm²)	
Test method	ASTM D648
Unit of measurement	°C
Value	86
Thermal conductivity at 23° C	
Test method	DIN 52612-1 - ASTM C177
Unit of measurement	W/(m °C)
Value	0.16
Coefficient of linear thermal expansion	
Test method	DIN 53752 - ASTM D696
Unit of measurement	m/(m °C)
Value	8 x 10 ⁻⁵
Limiting Oxygen Index	
Test method	ISO 4859-1 - ASTM D2863
Unit of measurement	%
Value	45

Main properties

PVC-U

Properties of PVC-U		Benefits
Thermal resistance		<ul style="list-style-type: none"> • Service range 0–60 °C (see pressure/temperature regression curve)
Low surface roughness		<ul style="list-style-type: none"> • High flow coefficients (extremely smooth internal walls) • Pressure drop constant over time • Low risk of stoppages due to scaling • Reduced transfer of material to the transported fluid
Chemical resistance		<ul style="list-style-type: none"> • Good chemical resistance for conveying acids and alkalis, paraffin/aliphatic hydrocarbons and saline solutions.
Abrasion resistance		<ul style="list-style-type: none"> • Extremely low operating costs due to its long service life
Insulating		<ul style="list-style-type: none"> • Non-conductive (immune to galvanic corrosion) • No condensation problems • Minimum heat loss
Linear thermal expansion coefficients		<ul style="list-style-type: none"> • Reduced need for supports and expansion joints, resulting in considerable advantages in terms of plant design
Easy to join (solvent weld sockets)		<ul style="list-style-type: none"> • Reduced installation costs thanks to the "solvent weld" joint effected using a suitable solvent cement
Fire behaviour		<ul style="list-style-type: none"> • Good resistance to combustion also due to the presence of self-extinguishing chlorine
Good mechanical resistance		<ul style="list-style-type: none"> • PVC-U satisfies the need to provide adequate mechanical strength and complies with the requirements of industrial plant design

PVC-C

General characteristics

Developed in 1958 by the company BF Goodrich, now LUBRIZOL, PVC-C (post-chlorinated polyvinyl chloride) is obtained by chlorinating the PVC resin in suspension. During the transformation, alternate hydrogen atom monomers in the PVC molecular chain are replaced by Chlorine atoms. The process produces a high performance resin with excellent thermal stability and chemical and mechanical strength up to temperatures of 100°C.

In 1986, FIP was the first European Company to produce an integrated system of valves, fittings and pipes called **TemperFIP100®**.

The result was the creation of an entire series of products for industrial plants. Given the twenty-year old partnership with LUBRIZOL EUROPE, now the Temper FIP line uses **PVC-C CORZAN™** resins specifically formulated for industrial applications to produce pipes, fittings and valves made by extrusion and injection moulding. PVC-C resins are fully compatible for use in transporting water to treatment plants, as well as for conveying demineralised and spa water.

The PVC-C TemperFIP100® system represents one of the more economical solutions in the field of thermoplastic materials and metals, able to resolve the difficulties encountered in process and service lines transporting hot corrosive fluids in the industrial sector, as well as in domestic hot and cold water distribution systems.










The main reasons for this preference are the unique chemical and physical characteristics of the resin, which include:

- **High chemical resistance:** the use of CORZAN™ resin, obtained through the chlorination of homopolymer PVC, can guarantee high chemical resistance, in particular against strong inorganic acids, saline and alkaline solutions and paraffin hydrocarbons. It is not recommended for the transport of polar organic compounds, including some types of chlorinated and aromatic solvents. Its electrochemical corrosion resistance guarantees excellent reliability for conveying domestic hot water in conventional and solar panel systems.
- **Optimum thermal and mechanical properties:** TemperFIP100® PVC-C is typically used in temperatures between 20°C and 85°C and has extremely low thermal expansion coefficients, thus guaranteeing excellent mechanical strength able to withstand service pressures of around 10-16 bar at 20°C. Its excellent thermal stability (VICAT value according to EN ISO 15493) together with its optimum creep behaviour (circumferential breaking strength according to ASTM D 2837 equal to 1000 PSI 82 °C, 100,000 hours) allows it to be used at temperatures up to around 95 °C for special applications and to satisfy particular performance requirements. The reduced coefficient of thermal conductivity ($\lambda = 0.16 \text{ W/m } ^\circ\text{C}$ according to ASTM C177) virtually eliminates condensation problems and reduces heat loss when transporting hot fluids.
- **Physical characteristics:** PVC-U resins are characterised by their low permeability to oxygen and reduced water absorption (0.07% at 23 °C according to ASTM D 570). The physical properties of the material render it highly resistant to ageing and aggression by atmospheric agents (UV radiation) thanks to the presence of Titanium dioxide in the compound.
- **Fire resistance:** PVC-U resins also have excellent fire resistance with a flash point of 482 °C. The flame, in fact, only persists if the oxygen concentration is three times that of atmospheric or in the presence of a flame from an external source. PVC-C CORZAN™ resins are also classified VO, 5VB and 5VA according to UL94.

Density		
Test method	ISO 1183	ASTM D792
Unit of measurement	g/cm ³	g/(10 min)
Value	Valves/fittings: 1.50 Pipes: 1.50	Valves/fittings: 1.50 Pipes: 1.50
Modulus of elasticity		
Test method	ISO 178	ASTM D790
Unit of measurement	MPa = N/mm ²	MPa = N/mm ²
Value	Valves/fittings: 2800 Pipes: 2420	Valves/fittings: 2992 Pipes: 2689
IZOD notched impact strength at 23°C		
Test method	ASTM D256	
Unit of measurement	ftlbs/in	
Value	Valves/fittings: 1.8 - Pipes: 1.6	
Ultimate elongation		
Test method	ISO 527-1, ISO 527-2	
Unit of measurement	%	
Value	Valves/fittings: 16 - Pipes: 5	
Rockwell hardness		
Test method	ASTM D 785	
Unit of measurement	R	
Value	Valves/fittings: 120 - Pipes: 116	
Tensile strength		
Test method	ISO 527-1, ISO 527-2	
Unit of measurement	MPa = N/mm ²	
Value	Valves/fittings: 54 - Pipes: 54	
VICAT softening point (1 kg)		
Test method	EN ISO 15493	
Unit of measurement	°C	
Value	Valves/fittings: ≥ 103 - Pipes: ≤ 110	
Heat distortion temperature HDT (0.46 N/mm²)		
Test method	ASTM D648	
Unit of measurement	°C	
Value	Valves/fittings: 110 - Pipes: 113	
Thermal conductivity at 23° C		
Test method	DIN 52612-1	ASTM C 177
Unit of measurement	W/(m °C)	W/(m °C)
Value	Valves/fittings: 0.16 Pipes: 0.16	Valves/fittings: 0.16 Pipes: 0.16
Coefficient of linear thermal expansion		
Test method	DIN 53752 -	ASTM D696
Unit of measurement	m/(m °C)	m/(m °C)
Value	Valves/fittings: 5.6 x 10 ⁻⁵ Pipes: 6.6 x 10 ⁻⁵	Valves/fittings: 5.6 x 10 ⁻⁵ Pipes: 6.6 x 10 ⁻⁵
Limiting Oxygen Index		
Test method	ISO 4859-1	ASTM D2863
Unit of measurement	%	%
Value	Valves/fittings: 60 Pipes: 60	Valves/fittings: 60 Pipes: 60

Main properties

PVC-C

Properties of PVC-U		Benefits
Thermal resistance		<ul style="list-style-type: none"> • Service range 0–100 °C (see pressure/temperature regression curve)
Low surface roughness		<ul style="list-style-type: none"> • High flow coefficients (extremely smooth internal walls) • Pressure drop constant over time • Low risk of stoppages due to scaling • Reduced transfer of material to the transported fluid
Chemical resistance		<ul style="list-style-type: none"> • Excellent chemical resistance for conveying corrosive fluids (generally inert to inorganic acids and bases, aromatic and aliphatic hydrocarbons, organic acids, alcohols and halogenated solvents)
Abrasion resistance		<ul style="list-style-type: none"> • Extremely low operating costs due to its long service life
Insulating		<ul style="list-style-type: none"> • Non-conductive (immune to galvanic corrosion) • No condensation problems • Minimum heat loss
Linear thermal expansion coefficients		<ul style="list-style-type: none"> • Reduced need for supports and expansion joints, resulting in considerable advantages in terms of plant design
Easy to join (solvent weld sockets)		<ul style="list-style-type: none"> • Reduced installation costs thanks to the “solvent weld” joint effected using a suitable solvent cement
Fire behaviour		<ul style="list-style-type: none"> • More resistant to combustion than the more commonly used thermoplastics, also due to the presence of self-extinguishing chlorine
Good mechanical resistance		<ul style="list-style-type: none"> • PVC-C satisfies the need to provide adequate mechanical strength and complies with the requirements of industrial plant design

PP-H

General characteristics

Polypropylene is a thermoplastic and partially crystalline resin belonging to the family of polyolefins. PP is obtained through the polymerization of propylene (C₃H₆) with the aid of catalysts. For use in piping systems, the latest-generation Polypropylene Homopolymer variant, or PP-H, offers excellent performance at working temperatures of up to 100° C and a high resistance to chemicals due to the excellent physical and thermal characteristics of the resin.

The PP-H line in latest-generation Polypropylene Homopolymer consists of a comprehensive range of pipes, fittings and valves for use in the construction of process and service lines for conveying pressurised industrial fluids and for maximum operating temperatures of up to 100° C.

The entire line is made of Polypropylene Homopolymer resins MRS 100 (PP-H 100) according to the classification DIN 8077-8078, DIN 16962 and approved by DIBt - Deutsches Institut für Bautechnik for use in industrial processes.









The main properties of the latest-generation Homopolymer resins are:

- **High chemical resistance:** In addition to ensuring excellent chemical resistance, especially against halogens and alkaline solutions, the use of PP-H resins with special additives also ensures excellent mechanical properties when conveying detergents and similar chemicals. PP-H resins are also fully compatible with the transport of drinking, unconditioned, demineralised and spa water for therapeutic and kinotherapeutic uses.
- **Excellent thermal stability:** Particularly in the intermediate temperature range between 10° C and 80° C typical of industrial applications, PP-H ensures excellent mechanical strength and impact resistance with high safety factors.
- **Resistance to ageing:** PP-H resins have a high circumferential breaking strength (Minimum Required Strength MRS \geq 10.0 MPa at 20°C) and allow long installation lifetimes without showing any signs of significant physical-mechanical deterioration.

Density	
Test method	ISO 1183
Unit of measurement	g/cm ³
Value	Valves/fittings/pipes: 0.9
Fluidity index (MFI 190° C, 5 kg)	
Test method	ISO 1133
Unit of measurement	g/(10 min)
Value	Valves/fittings/pipes: 0.5
Modulus of elasticity	
Test method	ASTM D 790
Unit of measurement	MPa = N/mm ²
Value	Valves/fittings/pipes: 1300
IZOD notched impact strength at 23°C	
Test method	ASTM D256
Unit of measurement	J/m
Value	Valves/fittings/pipes: 150
Ultimate elongation	
Test method	ISO 527
Unit of measurement	%
Value	Valves/fittings/pipes: >50
Rockwell hardness	
Test method	ASTM D 785
Unit of measurement	R
Value	Valves/fittings/pipes: 100
Tensile strength	
Test method	ISO 527
Unit of measurement	MPa = N/mm ²
Value	Valves/fittings/pipes: 30
Heat distortion temperature HDT (0.46 N/mm²)	
Test method	ASTM D648
Unit of measurement	°C
Value	Valves/fittings/pipes: 96
Thermal conductivity at 20° C	
Test method	DIN 5216
Unit of measurement	W/(m °C)
Value	Valves/fittings/pipes: 0.22
Coefficient of linear thermal expansion	
Test method	DIN 53752
Unit of measurement	m/(m °C)
Value	Valves/fittings/pipes: 16 x 10 ⁻⁵
Limiting Oxygen Index	
Test method	ASTM D2863
Unit of measurement	%
Value	Valves/fittings/pipes: 17.5
Surface electrical resistivity	
Test method	ASTM D257
Unit of measurement	ohm
Value	Valves/fittings/pipes: >10 ¹³
Flammability	
Test method	UL94
Value	94-HB

Main properties

PP-H

Properties of PP-H		Benefits
Thermal resistance		<ul style="list-style-type: none"> • Service range 0–100 °C (see pressure/temperature regression curves)
Low surface roughness		<ul style="list-style-type: none"> • High flow coefficients (extremely smooth internal walls) • Pressure drop constant over time • Low risk of stoppages due to scaling • Reduced transfer of material to the transported fluid
Chemical resistance		<ul style="list-style-type: none"> • Suitable for conveying chemicals (excellent results with salts and highly alkaline solutions)
Abrasion resistance		<ul style="list-style-type: none"> • Extremely low operating costs due to its long service life
Insulating		<ul style="list-style-type: none"> • Non-conductive (immune to galvanic corrosion) • No condensation problems • Minimum heat loss
Non-toxic		<ul style="list-style-type: none"> • Physiologically safe • Environmental compatibility
Easy jointing (hot socket, butt and electrofusion welding, flanging and threading)		<ul style="list-style-type: none"> • Low installation costs • Wide range of connection possibilities with Accessories and equipment
Low specific weight		<ul style="list-style-type: none"> • Low transport costs • Ease of handling and installation

PVDF

General characteristics

PVDF (polyvinylidene difluoride) is a semi-crystalline fluorinated technopolymer and 59% of its weight is Fluorine.

This material is obtained through the polymerization of vinylidene fluoride. It boasts exceptional mechanical, physical and chemical resistance, guaranteeing excellent performance in terms of thermal stability up to temperatures of 140°C.

The FIP PVDF line uses Solef® PVDF resins (manufactured by SOLVAY) especially formulated for industrial applications, for the production of pipes, fittings and valves made by extrusion and injection moulding.

The entire line is made using Solef® resins by SOLVAY S.A. classified according to ASTM D 3222 and complying with the requirements of ISO 10931.

Thanks to its high purity and exceptional performance, PVDF is the best alternative to metal materials, and is extensively used in industrial applications (chemical, oil, pharmaceutical, pulp and paper, electronic, etc.), whether in process systems or otherwise.

Among the most important properties and advantages of Solef® PVDF, the following are particularly worthy of note:

- **Excellent thermal stability:** the use of Solef® resin, a vinylidene fluoride polymer, ensures excellent resistance to corrosion and abrasion when conveying highly aggressive chemicals. PVDF is basically inert to most inorganic acids and bases, organic acids, aromatic and aliphatic hydrocarbons, alcohols and halogenated solvents. However, it is not recommended for use with fluorine, amines, ketones and oleum (sulfuric acid with sulfur trioxide).

- **Excellent thermal stability:** PVDF maintains its characteristics unchanged in a temperature range between -40° C and +140° C. PVDF pipes are particularly suitable in all applications requiring high operating temperatures, very low levels of fluid contamination and high resistance to ageing due to atmospheric agents and UV radiation.

The material's excellent mechanical properties are retained even at high temperatures.

- **Fire resistance:** Solef® resins guarantee excellent fire resistance without the need for flame retardants (Limit Oxygen Index, LOI = 44%).

In case of combustion, smoke emissions are moderated.

Solef® PVDF resins are classified UL-94, class V-O.

- **Purity:** Solef® PVDF resin is an extremely pure polymer that does not contain stabilizers, plasticizers, lubricants or flame retardants.








As a result, it is the ideal material for conveying ultra-pure water and chemicals, ensuring the non-contamination of the conveyed fluid. As it is physiologically non-toxic, it is suitable for conveying fluids and food products.

- **High abrasion resistance:** according to the Taber Abrasion Test (in which the weight loss of a material is measured after being exposed to an abrasive wheel for 1000 cycles), PVDF is the most resistant thermoplastic material (CS-10 Load 1kg - Weight Loss / 1000 cycles = 5-10 mg.)

Density		
Test method	ISO 1183	
Unit of measurement	g/cm ³	
Value	Valves/fittings: 1.78 - Pipes: 1.78	
Fluidity index (MFI 230° C, 5 kg)		
Test method	ISO 1133	ASTM D1238
Unit of measurement	g/(10 min)	g/(10 min)
Value	Valves/fittings: 6 - Pipes: 6	Valves/fittings: 24 - Pipes: 24
Modulus of elasticity		
Test method	ISO 527	ASTM D1238
Unit of measurement	MPa = N/mm ²	MPa = N/mm ²
Value	Valves/fittings: 2100 - Pipes: 2100	Valves/fittings: 2200 - Pipes: 2100
IZOD notched impact strength at 23°C		
Test method	ASTM D256	
Unit of measurement	J/m	
Value	Valves/fittings: 55 - Pipes: 110	
Ultimate elongation		
Test method	ISO 527-2	ASTM D 638
Unit of measurement	%	%
Value	Valves/fittings: 80 - Pipes: 80	Valves/fittings: 5-10 - Pipes: 20-50
Rockwell hardness		
Test method	ASTM D 785	
Unit of measurement	R	
Value	Valves/fittings: 110 - Pipes: 110	
Tensile strength		
Test method	ISO 527	ASTM D 638
Unit of measurement	MPa = N/mm ²	MPa = N/mm ²
Value	Valves/fittings: 50 - Pipes: 50	Valves/fittings: 53-57 - Pipes: 53-57
Heat distortion temperature HDT (0.46 N/mm ²)		
Test method	ISO 75	ASTM D 648
Unit of measurement	°C	°C
Value	Valves/fittings: 145 - Pipes: 145	Valves/fittings: 148 - Pipes: 147
Thermal conductivity at 23° C		
Test method	DIN 52612-1	ASTM C 177
Unit of measurement	W/(m K)	W/(m K)
Value	Valves/fittings: 0.20 - Pipes: 0.20	Valves/fittings: 0.20 - Pipes: 0.20
Coefficient of linear thermal expansion		
Test method	DIN 53752	ASTM D 696
Unit of measurement	m/(m °C)	m/(m °C)
Value	Valves/fittings: 12x10 ⁻⁵ Pipes: 12x10 ⁻⁵	Valves/fittings: 12x10 ⁻⁵ Pipes: 12x10 ⁻⁵
Limiting Oxygen Index		
Test method	ISO 4859-1	ASTM D 2863
Unit of measurement	%	%
Value	Valves/fittings: 44 - Pipes: 44	Valves/fittings: 44 - Pipes: 44
Surface electrical resistivity		
Test method	ASTM D257	
Unit of measurement	ohm	
Value	Valves/fittings: >10 ¹⁴ - Pipes: >10 ¹⁴	
Flammability		
Test method	UL94	
Value	V-0	

Main properties

PVDF

Properties of PVDF		Benefits
Thermal resistance		<ul style="list-style-type: none"> Operating range: - 40 +140°C (see pressure/temperature regression curves)
Low surface roughness		<ul style="list-style-type: none"> High flow coefficients (extremely smooth internal walls)
Chemical resistance		<ul style="list-style-type: none"> Excellent chemical resistance for conveying corrosive fluids (generally inert to inorganic acids and bases, aromatic and aliphatic hydrocarbons, organic acids, alcohols and halogenated solvents)
Abrasion resistance		<ul style="list-style-type: none"> Extremely low operating costs due to its long service life
Fully recyclable and non-toxic		<ul style="list-style-type: none"> Physiologically safe
Easy jointing (hot socket, butt and electrofusion welding, flanging and threading)		<ul style="list-style-type: none"> Low installation costs
Excellent mechanical properties		<ul style="list-style-type: none"> PVDF responds to the need to provide suitable mechanical resistance meeting the design requirements of industrial plants

REFERENCE STANDARDS, APPROVALS, AND QUALITY MARKS

ACTUATED VALVES



Reference standards

Production of the FIP valves is carried out according to the highest quality standards and in full compliance with the environmental restrictions set by the applicable laws in force and in accordance with **ISO 14001**.

All products are made in accordance with the quality guarantee system in compliance with **ISO 9001**.

- **ANSI B16.5**

Pipe flanges and flanged fittings–NPS 1/2 to NPS 24 mm / inch

- **ASTM D 1784 cl. 23548B**

Rigid PVC and PVC-C compounds (for industrial applications)

- **ASTM D 2464**

Standard Specification for Threaded Poly Vinyl Chloride (PVC) Plastic Pipe Fittings

- **ASTM D 2467**

Standard Specification for Poly Vinyl Chloride (PVC) Plastic Pipe Fittings, Schedule 80

- **ASTM D 3222**

PVDF, material for extrusion moulding and coating

- **ASTM D 4101-06**

Polypropylene compound according to the classification PP0110B56000

- **ASTM F437**

PVC-C threaded pipe fittings, sch. 80

- **ASTM F439**

PVC-C pipe fittings

- **BS 10**

Specification for flanges and bolts for pipes, valves and fittings

- **BS 1560**

Flanges for pipes, valves and fittings (Class designated). Flange in Steel, cast iron and copper alloy. Specification for steel flanges

- **BS 4504**

Flanges for pipes, valves and fittings (PN designated).

- **DIN 2501**

Flanges, dimensions

- **DIN 2999**

Whitworth thread for threaded pipes and fittings

- **DIN 3202**

Overall valve dimensions

- **DIN 3441-2**

Dimensions of PVC-U ball valves

- **DIN 8063**

Dimensions of PVC-U and PVC-C fittings

- **DIN 16962**

PVC-C, PP-H and PVDF fittings for socket and butt welding

- **DIN 16963**

Pipe joints and pipe components for pressurised fluids in HDPE

- **DVS 2202-1**

Imperfections of PP-H and PVDF welded joints, characteristics, descriptions and evaluations

- **DVS 2204 - 2221**

Solvent welding of thermoplastic materials

- **DVS 2207-11**

Socket and butt welding of PP-H components

- **DVS 2207-15**

Welding of components in PVDF

- **DVS 2208-1**

Machinery and equipment for thermocouple welding pipes, pipe parts and panels.

- **EN 558**

Industrial valves - Overall dimensions of metal valves for use in flanged pipe systems - PN designated valves

- **EN 1092-1**

Flanges and their joints - Circular flanges for pipes, fittings, valves and accessories - Part 1: Steel flanges, PN designated

- **EN 60529**
Casing protection classes
- **EN ISO 1452**
Characteristics of fittings and pipes in PVC-U for piping systems intended for water supply
- **EN ISO 10931**
Specifications for components (Pipes, Fittings and Valves) in PVDF for industrial applications
- **EN ISO 15493**
Specifications for components and the system (Pipes, Fittings and Valves) in ABS, PVC-U, PVC-C for industrial applications
- **EN ISO 15494**
Specifications for components (Pipes, Fittings and Valves) in PP-H for industrial
- **EN ISO 16135**
Industrial valves - Ball valves of thermoplastic material
- **EN ISO 16136**
Industrial valves - Butterfly valves of thermoplastic material
- **EN ISO 16137**
Industrial valves - Check valves of thermoplastic material
- **EN ISO 16138**
Industrial valves - Diaphragm valves of thermoplastic material
- **ISO 7**
PVC-U fittings with threaded connections for pressure-tight threaded joints
- **ISO 161-1**
Dimensions of PVC-U pipes and fittings - metric series
- **ISO 228-1**
PVC-U and PVC-C fittings with threaded connections
- **ISO 727**
PVC-U pipes and fittings Dimensions and tolerances, metric series
- **ISO 5211**
Part-turn actuator couplings
- **ISO 5752**
Metal valves for use in flanged pipe systems; overall dimensions
- **ISO 7005-1**
Metal flanges; part 1: steel flanges
- **ISO 9393**
Thermoplastics valves - pressure test methods and requirements
- **JIS B 2220**
Flanges for metal pipes
- **JIS K 6743**
Polyvinyl chloride (PVC-U) pipe fittings for water supply
- **UNI 11242**
Solvent welding of PVC-U pipes, fittings and valves
- **UNI 11318**
Socket welding of PP-H components
- **UNI 11397**
Butt welding of PP-H components
- **VDI/VDE 3845 (NAMUR)**

Approvals and quality marks



- **ACS**

FIP PVC-U and PVC-C ball and butterfly valves are certified as suitable for coming into contact with water intended for human consumption according to the Attestation de conformité sanitaire (ACS)



- **DIBt**

VKD FIP PP-H and PVDF valves have been tested and certified by DIBt (Deutsches Institut für Bautechnik)



- **EAC**

FIP PVC-U valves are EAC certified in accordance with Russian regulations on Safety, Hygiene and Quality



- **NSF**

Ball, butterfly and SXE valves (where applicable) in PVC-U, PVC-C and PP-H are listed according to the NSF/ANSI Standard 61 - Drinking Water System Components - Health Effects.



- **UKR SEPRO**

FIP valves are certified in accordance with Ukrainian regulations on Safety and Quality



- **WRAS**

Resins used for FIP PVC-U and PVC-C valves are recognised by the WRAS (Water Regulation Advisory Scheme - UK)

- **KTW-W270**

The resin used for PVC-U valves is certified as suitable to come into contact with water intended for human consumption as per Deutscher Verein des Gas und Wasserfaches



- **NIZP**

FIP valves (in PVC-U and PP-H) are recognised as suitable for drinking water conveyance by the NIZP (National Institute of Public Health - Poland)



- **FDA**

Suitability of resins used for valves in PP-H and PVDF for food contact. Resins used for PVC-U and PVC-C valves considered "prior sanction" by the FDA.



VKD/CE - VKD/CP DN 10÷50

PVC-U/PVC-C/PP-H/PVDF

ELECTRICALLY OR PNEUMATICALLY ACTUATED
TWO-WAY DUAL BLOCK® BALL VALVE



VKD/CE – VKD/CP DN 10÷50

FIP has developed a VKD DUAL BLOCK® ball valve to introduce a high reference standard in thermoplastic valve design. VKD is a True Union ball valve that meets the most stringent needs required by industrial applications.



ELECTRICALLY OR PNEUMATICALLY ACTUATED TWO-WAY DUAL BLOCK® BALL VALVE

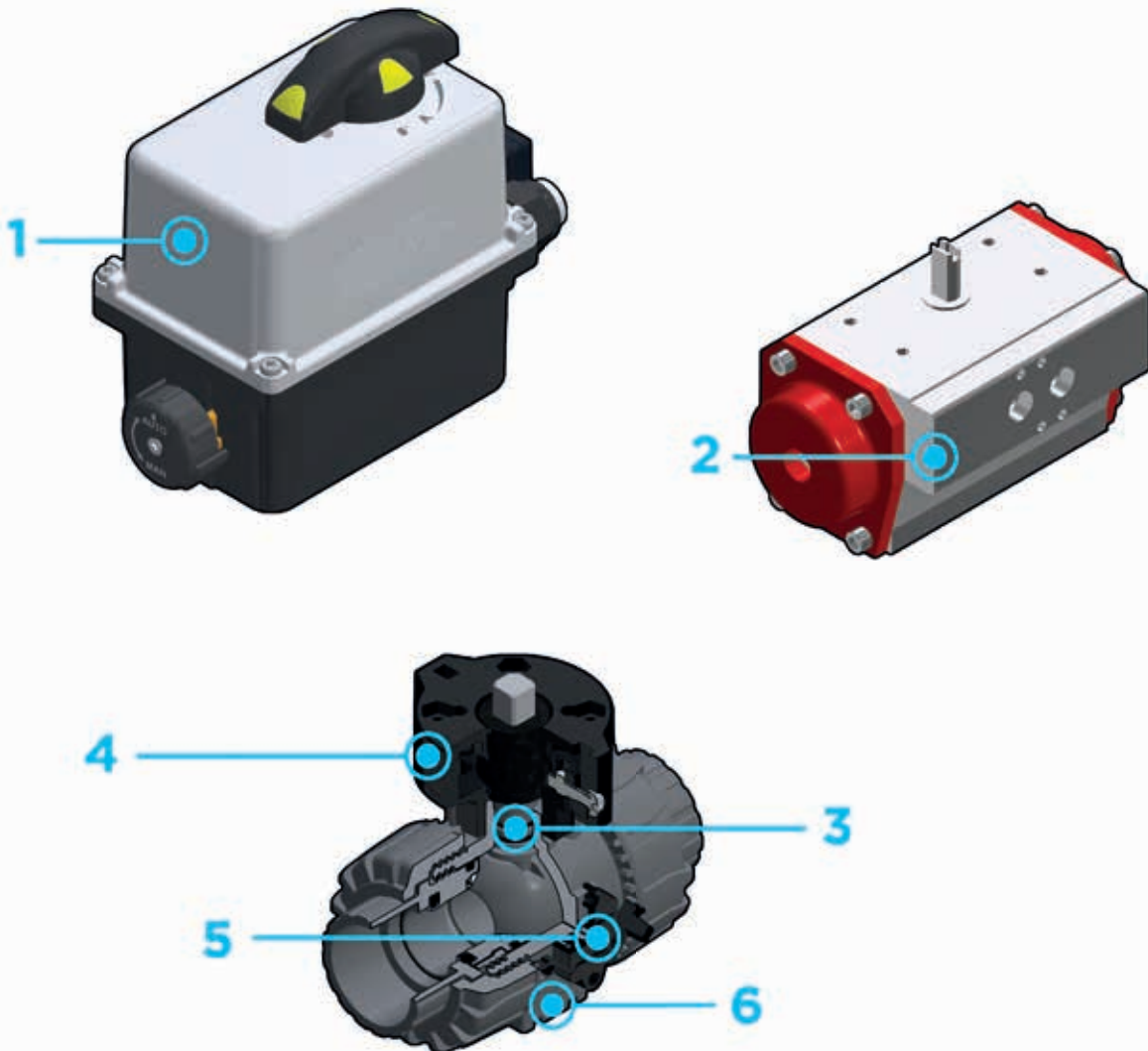
- Joint system for solvent welding (PVC-U and PVC-C only), for welding (PP-H and PVDF only), for threading and flanging
- Patented **SEAT STOP®** ball carrier system that lets you micro-adjust ball seats and minimise the axial force effect.
- Easy radial disassembly allowing quick replacement of O-rings and ball seats without any need for tools
- Radial dismounting valve body (True Union) made for PVC-U, PVC-C and PP-H injection moulding equipped with built-in bores for actuation. ISO 9393 compliant test requisites
- Option of disassembling downstream pipes with the valve in the closed position
- Floating **full bore ball** with high surface finish
- **Integrated bracket** for valve anchoring
- Ball seat carriers can be adjusted using the **Easytorque adjustment kit**

Technical specifications - VKD	
Construction	2-way True Union ball valve with locked carrier and union nuts
Size range	DN 10 ÷ 50
Nominal pressure	PVC-U: PN 16 with water at 20° C PVC-C: PN16 with water at 20° C PP-H: PN10 with water at 20° C PVDF: PN16 with water at 20° C
Temperature range	PVC-U: 0 °C ÷ 60 °C PVC-C: 0° C ÷ 100° C PP-H: 0° C ÷ 100° C PVDF: -40° C ÷ 140° C
PVC-U coupling standards	Solvent welding: EN ISO 1452, EN ISO 15493, BS 4346-1, DIN 8063, NF T54-028, ASTM D 2467, JIS K 6743. Can be coupled to pipes according to EN ISO 1452, EN ISO 15493, DIN 8062, NF T54-016, ASTM D 1785, JIS K 6741. Thread: ISO 228-1, DIN 2999, ASTM D 2464, JIS B 0203. Flanging system: ISO 7005-1, EN ISO 1452, EN ISO 15493, EN 558-1, DIN 2501, ANSI B.16.5 cl. 150, JIS B 2220.
PVC-C coupling standards	Solvent welding: EN ISO 15493, ASTM F 439. Can be coupled to pipes according to EN ISO 15493, ASTM F 441 Thread: ISO 228-1, DIN 2999, ASTM F 437 Flanging system: ISO 7005-1, EN ISO 15493, EN 558-1, DIN 2501, ANSI B.16.5 cl. 150, JIS B 2220.
PP-H coupling standards	Welding: EN ISO 15494 Can be coupled to pipes according to EN ISO 15494 Thread: ISO 228-1, DIN 2999 Flanging system: ISO 7005-1, EN 1092-1, EN ISO 15494, EN 558-1, DIN 2501, ANSI B.16.5 cl. 150
PVDF coupling standards	Welding: EN ISO 10931 Can be coupled to pipes according to EN ISO 10931 Flanging system: ISO 7005-1, EN ISO 10931, EN 558-1, DIN 2501, ANSI B.16.5 cl. 150
Reference standards	PVC-U construction criteria: EN ISO 16135, EN ISO 1452, EN ISO 15493 PVC-C construction criteria: EN ISO 16135, EN ISO 15493 PP-H construction criteria: EN ISO 16135, EN ISO 15494 PVDF construction criteria: EN ISO 16135, EN ISO 10931 Test methods and requirements: ISO 9393 PVC-U/PVC-C installation criteria: DVS 2204, DVS 2221, UNI 11242 PP-H installation criteria: DVS 2202-1, DVS 2207-11, DVS 2208-1, UNI 11318 PVDF installation criteria: DVS 2202-1, DVS 2207-15, DVS 2208-1 Actuator couplings: ISO 5211
Valve material	PVC-U / PVC-C / PP-H / PVDF
Seal material	EPDM, FKM (standard size O-Rings); PTFE (ball seats)
Control options	Electric actuator; pneumatic actuator

In addition to the manually actuated version, VKD is also available in VKD/CE electrically actuated and VKD/CP pneumatically actuated configurations. Actuators are firmly connected to the valve by the special FIP Power Quick modules fully made of PP-GR technopolymer. VKD/CE and VKD/CP are constructed with actuators meeting current regulations and selected by FIP according to their quality and reliability requirements. The efficiency of these valves, tested according to the company's quality standards, is guaranteed by the expertise and know-how that FIP dedicates to manufacturing its products.

Technical specifications - Electric actuator	
Reference standards	<p>Construction criteria: Electromagnetic compatibility EMC 2004/108/CE. Low voltage directive 2006/95/CE. Machinery directive 2006/42/CE. R.O.H.S. directive 2011/65/CE</p> <p>Coupling for valves: ISO 5211; DIN 3337</p>
Actuator material	Plastic parts: PA6,6 FV 30% and Nylon. Metallic parts: 304L stainless steel or steel + tin-plating
Supply Voltage	12V DC* - 24V AC/DC - 90-240V AC - 400V three phase* *voltages available upon request
Temperature range	From -10 °C to +55 °C
Standard equipment	<ul style="list-style-type: none"> • Manual safety override • Visual position indicator • Two auxiliary limit switches (5A) adjustable FC1, FC2 • Torque limiter (12V DC) • Anti-condensation heating element (12V DC)
Accessories	<ul style="list-style-type: none"> • Positioner board 4-20 mA or 0-10V DC • Fail Safe unit • Anti-condensation heating element • Feedback potentiometer 100 - 1000 - 5000 - 10000 Ohm • 4-20 mA position transmitter • Additional pair of auxiliary limit switches
Special versions upon request	<ul style="list-style-type: none"> • CEI34 50% service • Protection class IP68 or ATEX II 2 GD EEx d IIB T6 • Different operating times
Electrical connection	<ul style="list-style-type: none"> • Power supply: DIN 43650 connector 3P + GND • Limit switch: Cable gland ISO M20

Technical specifications - Pneumatic actuator	
Reference standards	<p>Construction criteria: Machinery directive 2006/42/CE R.O.H.S. directive 2011/65/CE EN 15714-3</p> <p>Coupling for valves: ISO 5211, DIN 3337</p> <p>Compressed air connections: NAMUR VDI\VDE-3845</p> <p>Top connections for accessories: NAMUR VDI\VDE-3845</p>
Actuator material	<p>Body: hard coat anodised extruded aluminium. IP67</p> <p>Cover: polyester powder painted aluminium alloy</p> <p>Pinion: nickel-plated carbon steel</p> <p>Other materials available upon request</p>
Control air pressure	From 5 to 8 bar. Pmax= 10 bar Reduced control pressure executions available upon request
Power supply	Dry or lubricated filtered compressed air. If using other fluids, contact the FIP service centre
Temperature range	From -20 °C to +80 °C
Accessories	<ul style="list-style-type: none"> • Optical position indicator • LSQT electromechanical and PNP inductive limit switch boxes (Namur upon request) • Electric-pneumatic positioner 4-20 mA • 3-5/2 way pilot solenoid valves
Available options	Body and cover with PTFE coating, AISI 316 or AISI 316 mirror-polished, 304 or 316 stainless steel pinion



1 Electric actuator constructed according to FIP specifications; with plastic shell and standard emergency override. Available with voltages from 12 to 240V.

2 Rack & pinion type pneumatic actuator constructed according to FIP specifications: fully protected against weather corrosion available in double-acting (DA) or simple-acting normally closed (NC) or normally open (NO) versions.

3 High surface finish stem with double O-Ring. The double connection key system guarantees solid and reliable actuator torque transmission to the ball.

4 Easy to install **PowerQuick** module for pneumatic or electric actuator fully made of highly robust technopolymer.

5 **DUAL BLOCK®** patented lock system that ensures union nut tightening hold even in severe conditions such as vibrations or heat dilation.

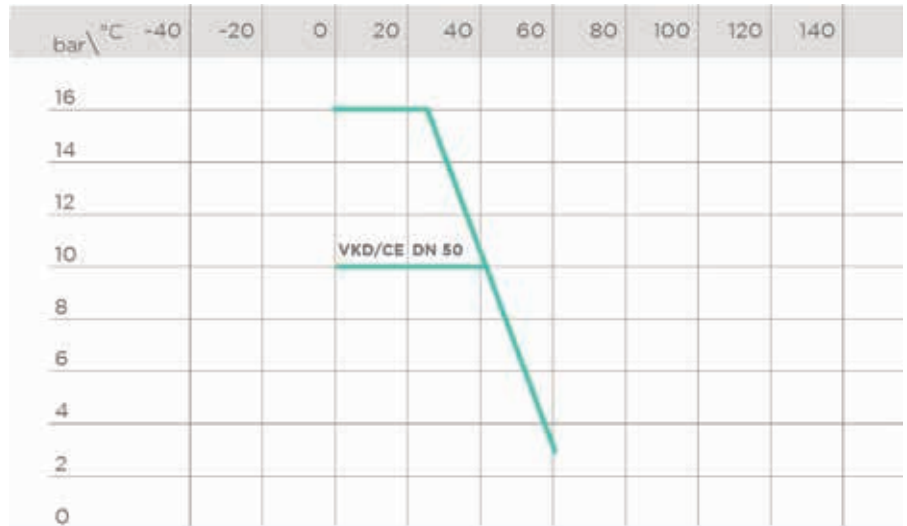
6 Anchor base built into the valve body with threaded stainless steel inserts to firmly anchor the valve to the carrier.

TECHNICAL DATA

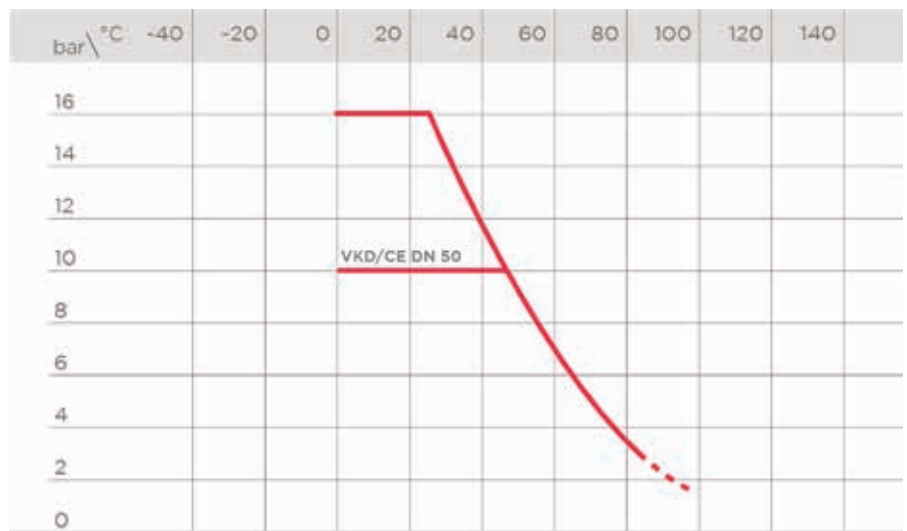
PRESSURE VARIATION ACCORDING TO TEMPERATURE

PVC-U BODY

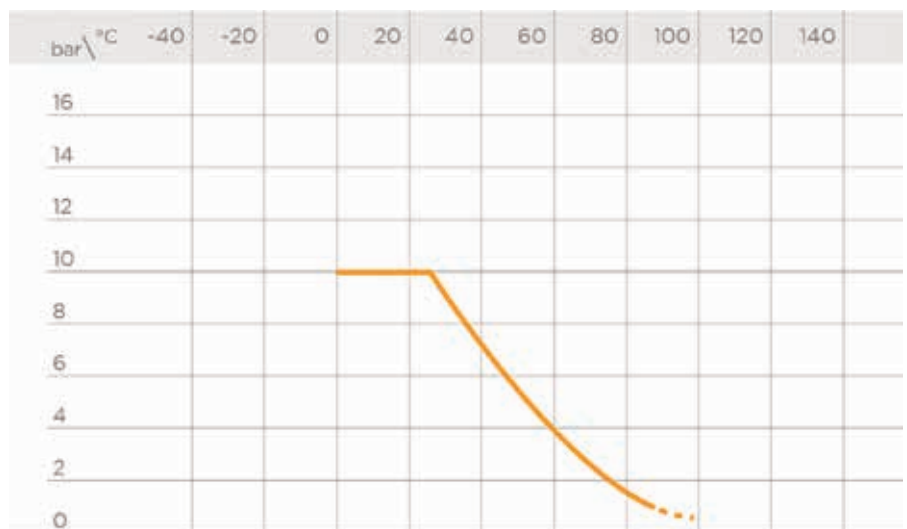
For water and non-hazardous fluids with regard to which the material is classified as CHEMICALLY RESISTANT. In other cases, a reduction of the nominal pressure PN is required (25 years with safety factor).



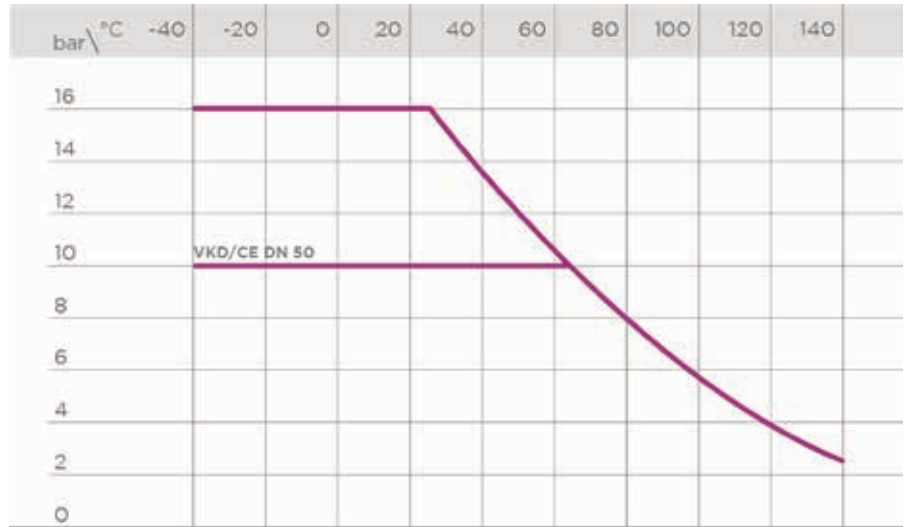
PVC-C BODY



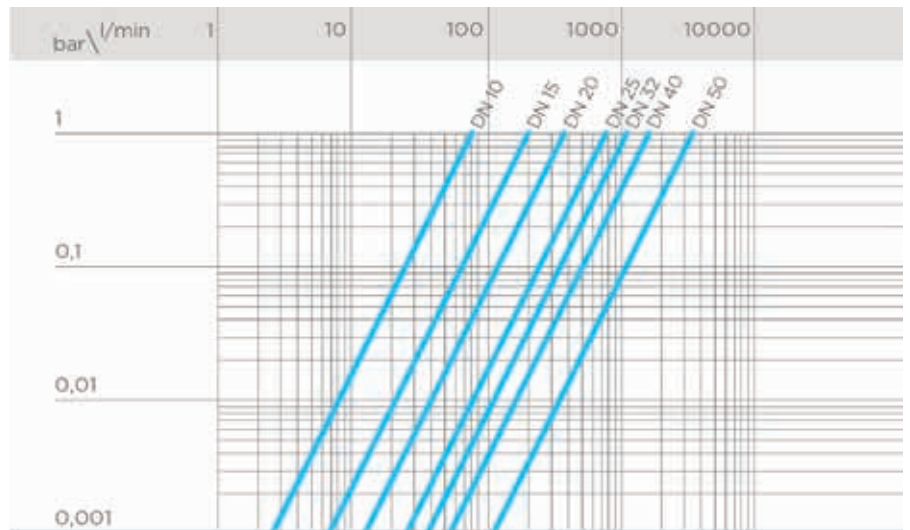
PP-H BODY



PVDF BODY



PRESSURE DROP GRAPH



K_v100 FLOW COEFFICIENT

The K_v100 flow coefficient is the Q flow of litres per minute of water at a temperature of 20°C that will generate $\Delta p = 1$ bar pressure drop at a certain valve position.

The K_v100 values shown in the table are calculated with the valve completely open.

DN	10	15	20	25	32	40	50
K_v100 l/min	80	200	385	770	1100	1750	3400

ELECTRIC ACTUATOR DATA

FUNCTIONAL CHARACTERISTICS

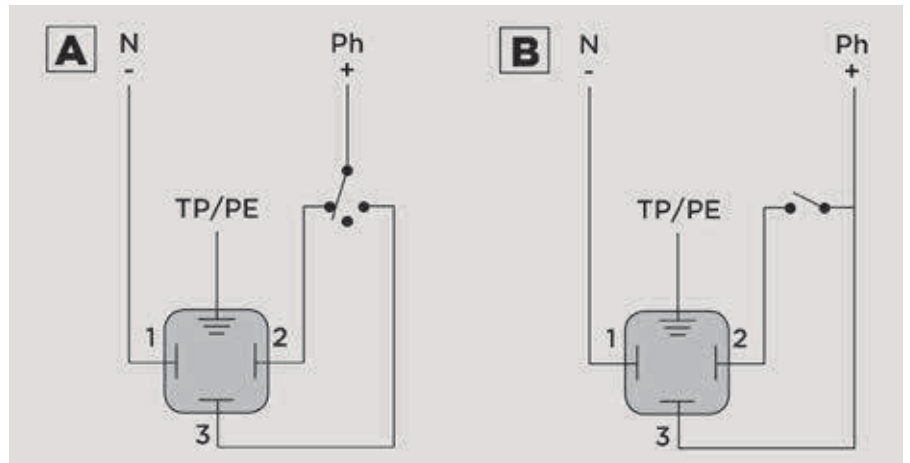
Characteristics	DC	AC/DC	AC
Power supply	*12V	24V	90±240V
Power	15W	15W	15W
Max operating time	11 s	12 s	13 s
IEC34 service	50%	30%	30%
Protection class	IP66	IP65	IP65
Frequency	-	50/60 Hz	50/60 Hz

*Upon request

POWER CONNECTION DIAGRAM

- 1 Shared
- 2 Open
- 3 Closed

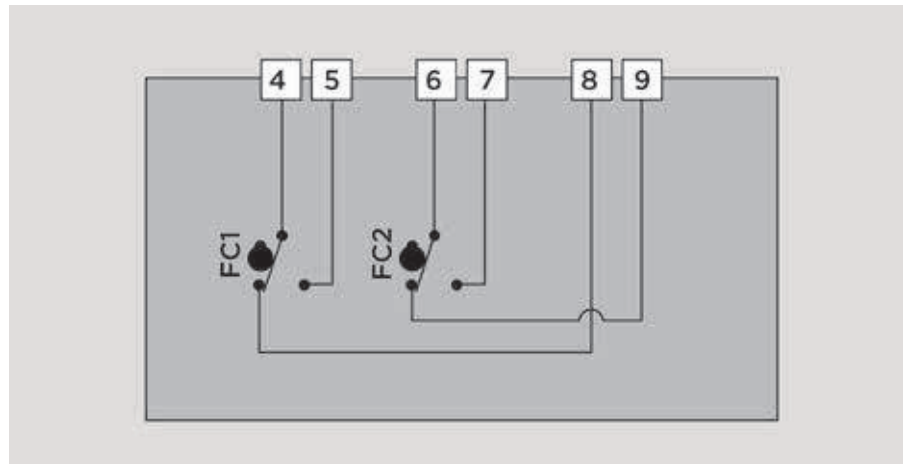
- A 3-point connection
- B ON/OFF connection



AUXILIARY LIMIT SWITCH CONNECTION DIAGRAM

- FC1 Open auxiliary limit switch
- FC2 Close auxiliary limit switch

- 4 Shared FC1
- 5 Open FC1
- 6 Shared FC2
- 7 Open FC2
- 8 Close FC1
- 9 Close FC2



PNEUMATIC ACTUATOR DATA

FUNCTIONAL CHARACTERISTICS

Function type	double-acting	Normally closed (NC)	Normally Open (NO)
Valve opening	air	air	spring
Valve closing	air	spring	air

ACTUATOR CAPACITY

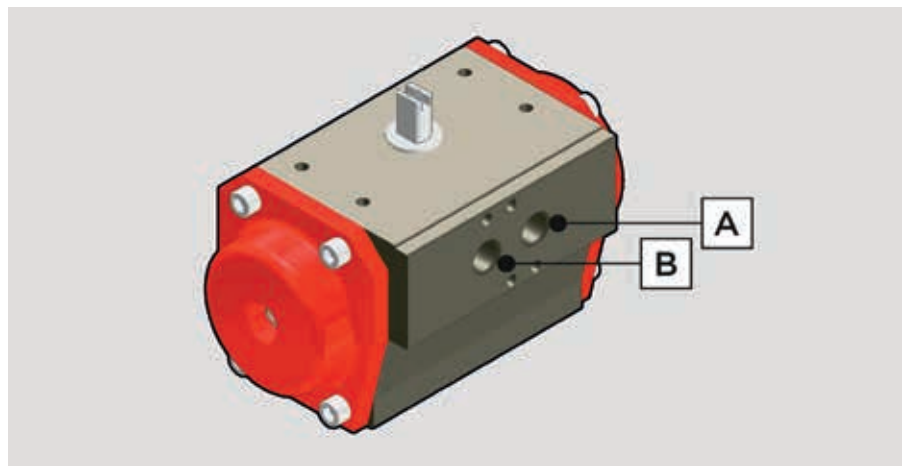
L: litre, equivalent to 10^{-3} m^3

Air consumption in normal litres (or normal cubic metres) per operating cycle can be calculated by correcting according to operating conditions such as control air pressure.

DN	10 ÷ 15	20 ÷ 25	32 ÷ 50
DA	0.18 L	0.23 L	0.45 L
SA (NC-NO)	0.072 L	0.092 L	0.18 L

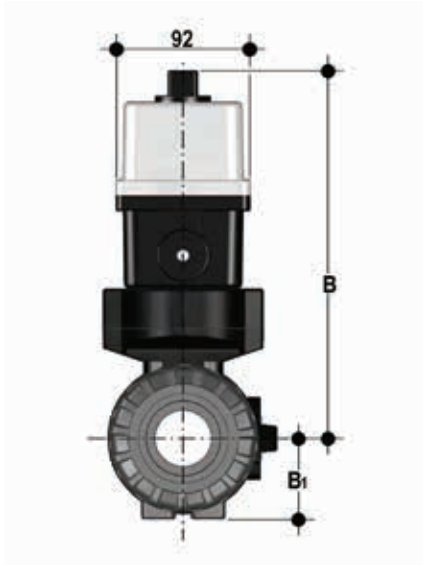
COMPRESSED AIR CONNECTIONS

Function type	Double-acting (DA)	Normally closed (NC)	Normally Open (NO)
Valve opening	Inlet A	Inlet A	-
Valve closing	Inlet B	-	Inlet A



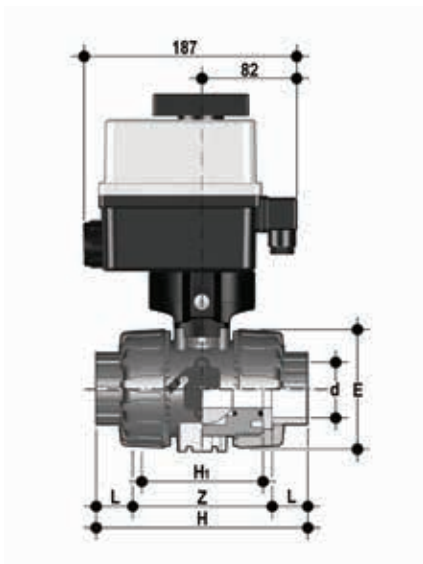
DIMENSIONS

VKD/CE DN 10÷50 PVC-U



Dimensions common to all versions

DN	B	B ₁
10	205	29
15	205	29
20	216	34.5
25	221	39
32	238	46
40	244	52
50	261	62



VKDIV/CE 90-240 V AC

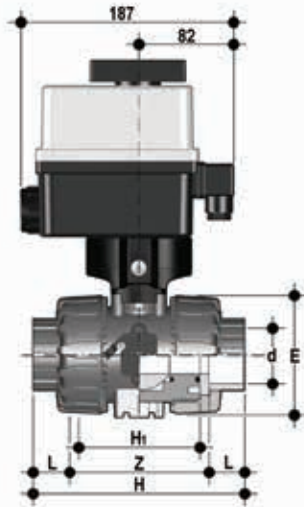
DUAL BLOCK® ball valve with female ends for solvent welding, metric series with multi-volt electric actuator 90-240 V AC 50-60 Hz

d	DN	PN	E	H	H ₁	L	Z	g	EPDM Code	FKM Code
16	10	16	54	103	65	14	75	1785	VKDIVEM016E	VKDIVEM016F
20	15	16	54	103	65	16	71	1775	VKDIVEM020E	VKDIVEM020F
25	20	16	65	115	70	19	77	1903	VKDIVEM025E	VKDIVEM025F
32	25	16	73	128	78	22	84	2011	VKDIVEM032E	VKDIVEM032F
40	32	16	86	146	88	26	94	2369	VKDIVEM040E	VKDIVEM040F
50	40	16	98	164	93	31	102	2601	VKDIVEM050E	VKDIVEM050F
63	50	*10	122	199	111	38	123	3218	VKDIVEM063E	VKDIVEM063F

*PN16 upon request

DIMENSIONS

VKD/CE DN 10÷50 PVC-U

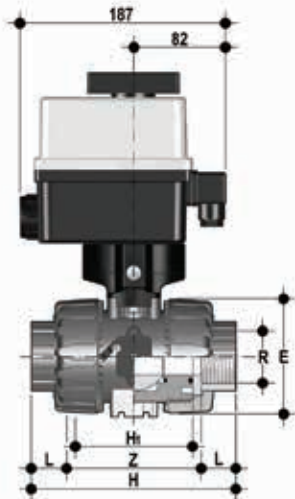


VKDIV/CE 24 V AC/DC

DUAL BLOCK® ball valve with female ends for solvent welding, metric series with electric actuator 24 V AC/DC

d	DN	PN	E	H	H ₁	L	Z	g	EPDM Code	FKM Code
16	10	16	54	103	65	14	75	1785	VKDIVEL016E	VKDIVEL016F
20	15	16	54	103	65	16	71	1775	VKDIVEL020E	VKDIVEL020F
25	20	16	65	115	70	19	77	1903	VKDIVEL025E	VKDIVEL025F
32	25	16	73	128	78	22	84	2011	VKDIVEL032E	VKDIVEL032F
40	32	16	86	146	88	26	94	2369	VKDIVEL040E	VKDIVEL040F
50	40	16	98	164	93	31	102	2601	VKDIVEL050E	VKDIVEL050F
63	50	*10	122	199	111	38	123	3218	VKDIVEL063E	VKDIVEL063F

*PN16 upon request



VKDFV/CE 90-240 V AC

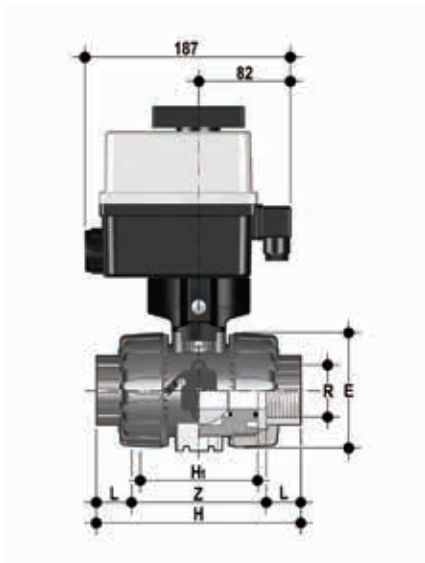
DUAL BLOCK® ball valve with female ends, gas cylinder thread with multi-volt electric actuator 90-240 V AC 50-60 Hz

R	DN	PN	E	H	H ₁	L	Z	g	EPDM Code	FKM Code
3/8"	10	16	54	103	65	12	80	1785	VKDFVEM038E	VKDFVEM038F
1/2"	15	16	54	110	65	15	80	1775	VKDFVEM012E	VKDFVEM012F
3/4"	20	16	65	116	70	16	83	1903	VKDFVEM034E	VKDFVEM034F
1"	25	16	73	134	78	19	96	2011	VKDFVEM100E	VKDFVEM100F
1" 1/4	32	16	86	153	88	21	110	2369	VKDFVEM114E	VKDFVEM114F
1" 1/2	40	16	98	156	93	21	113	2601	VKDFVEM112E	VKDFVEM112F
2"	50	*10	122	186	111	26	135	3218	VKDFVEM200E	VKDFVEM200F

*PN16 upon request

DIMENSIONS

VKD/CE DN 10÷50 PVC-U

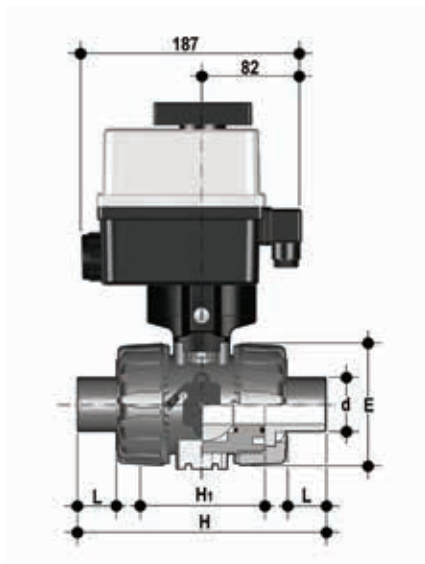


VKDFV/CE 24 V AC/DC

DUAL BLOCK® ball valve with female ends, gas cylinder thread with electric actuator 24 V AC/DC

R	DN	PN	E	H	H ₁	L	Z	g	EPDM Code	FKM Code
3/8"	10	16	54	103	65	12	80	1785	VKDFVEL038E	VKDFVEL038F
1/2"	15	16	54	110	65	15	80	1775	VKDFVEL012E	VKDFVEL012F
3/4"	20	16	65	116	70	16	83	1903	VKDFVEL034E	VKDFVEL034F
1"	25	16	73	134	78	19	96	2011	VKDFVEL100E	VKDFVEL100F
1" 1/4	32	16	86	153	88	21	110	2369	VKDFVEL114E	VKDFVEL114F
1" 1/2	40	16	98	156	93	21	113	2601	VKDFVEL112E	VKDFVEL112F
2"	50	*10	122	186	111	26	135	3218	VKDFVEL200E	VKDFVEL200F

*PN16 upon request



VKDDV/CE 90-240 V AC

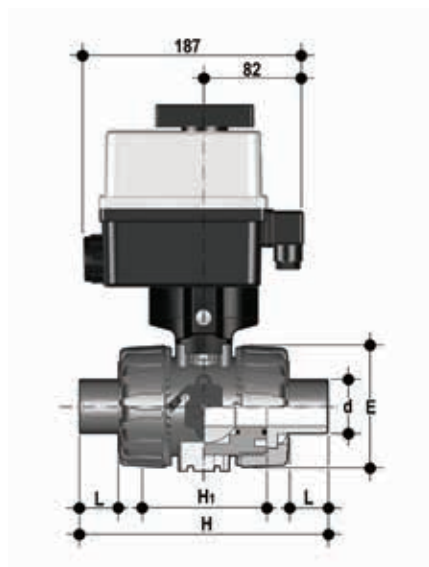
DUAL BLOCK® ball valve with male ends for solvent welding, metric series with multi-volt electric actuator 90-240 V AC 50-60 Hz

d	DN	PN	E	H	H ₁	L	Z	g	EPDM Code	FKM Code
16	10	16	54	149	65	14	80	1785	VKDDVEM016E	VKDDVEM016F
20	15	16	54	124	65	16	80	1775	VKDDVEM020E	VKDDVEM020F
25	20	16	65	144	70	19	83	1903	VKDDVEM025E	VKDDVEM025F
32	25	16	73	154	78	22	96	2011	VKDDVEM032E	VKDDVEM032F
40	32	16	86	174	88	26	110	2369	VKDDVEM040E	VKDDVEM040F
50	40	16	98	194	93	31	113	2601	VKDDVEM050E	VKDDVEM050F
63	50	*10	122	224	111	38	135	3218	VKDDVEM063E	VKDDVEM063F

*PN16 upon request

DIMENSIONS

VKD/CE DN 10÷50 PVC-U

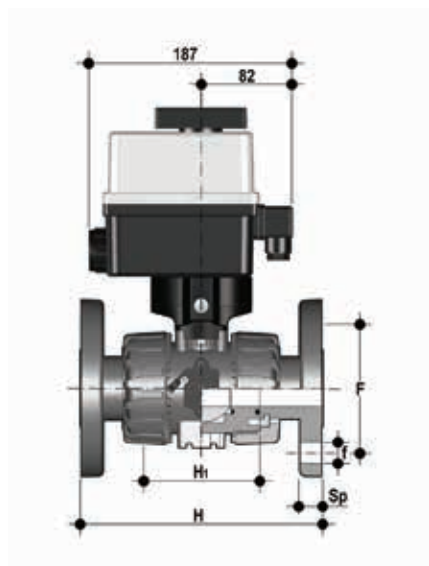


VKDDV/CE 24 V AC/DC

DUAL BLOCK® ball valve with male ends for solvent welding, metric series with electric actuator 24 V AC/DC

d	DN	PN	E	H	H ₁	L	g	EPDM Code	FKM Code
16	10	16	54	149	65	14	1785	VKDDVEL016E	VKDDVEL016F
20	15	16	54	124	65	16	1775	VKDDVEL020E	VKDDVEL020F
25	20	16	65	144	70	19	1903	VKDDVEL025E	VKDDVEL025F
32	25	16	73	154	78	22	2011	VKDDVEL032E	VKDDVEL032F
40	32	16	86	174	88	26	2369	VKDDVEL040E	VKDDVEL040F
50	40	16	98	194	93	31	2601	VKDDVEL050E	VKDDVEL050F
63	50	*10	122	224	111	38	3218	VKDDVEL063E	VKDDVEL063F

*PN16 upon request



VKDOV/CE 90-240 V AC

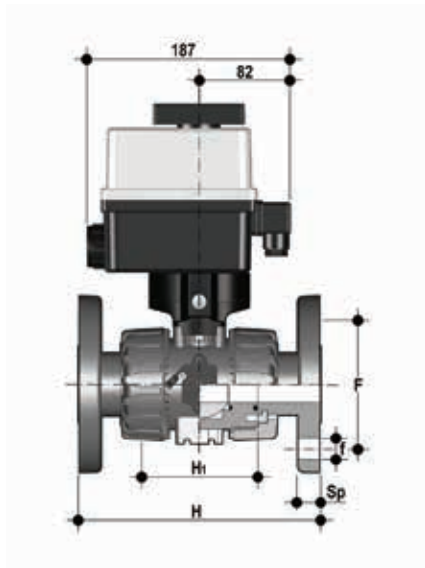
DUAL BLOCK® Ball Valve with fixed flanges EN/ISO/DIN PN 10/16, face to face dimensions as per EN 558-1 with multi-volt electric actuator 90-240 V AC 50-60 Hz

d	DN	PN	H	H ₁	F	f	U	Sp	g	EPDM Code	FKM Code
20	15	16	130	65	65	14	4	11	1775	VKDOVEM020E	VKDOVEM020F
25	20	16	150	70	75	14	4	14	1903	VKDOVEM025E	VKDOVEM025F
32	25	16	160	78	85	14	4	14	2011	VKDOVEM032E	VKDOVEM032F
40	32	16	180	88	100	18	4	14	2369	VKDOVEM040E	VKDOVEM040F
50	40	16	200	93	110	18	4	16	2601	VKDOVEM050E	VKDOVEM050F
63	50	*10	230	111	125	18	4	16	3218	VKDOVEM063E	VKDOVEM063F

*PN16 upon request

DIMENSIONS

VKD/CE DN 10÷50 PVC-U

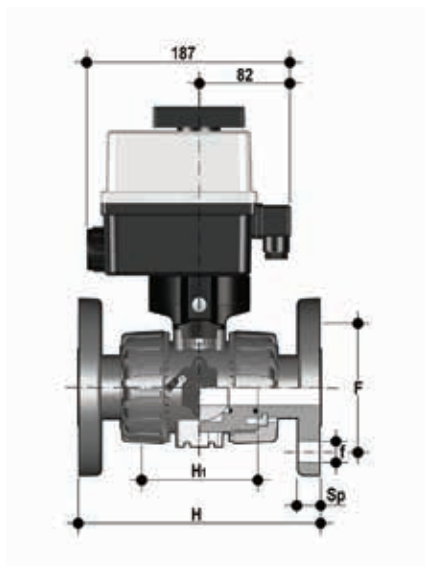


VKDOV/CE 24 V AC/DC

DUAL BLOCK® Ball Valve with fixed flanges EN/ISO/DIN PN 10/16, face to face dimensions as per EN 558-1 with electric actuator 24 V AC/DC

d	DN	PN	H	H ₁	F	f	U	Sp	g	EPDM Code	FKM Code
20	15	16	130	65	65	14	4	11	1775	VKDOVEL020E	VKDOVEL020F
25	20	16	150	70	75	14	4	14	1903	VKDOVEL025E	VKDOVEL025F
32	25	16	160	78	85	14	4	14	2011	VKDOVEL032E	VKDOVEL032F
40	32	16	180	88	100	18	4	14	2369	VKDOVEL040E	VKDOVEL040F
50	40	16	200	93	110	18	4	16	2601	VKDOVEL050E	VKDOVEL050F
63	50	*10	230	111	125	18	4	16	3218	VKDOVEL063E	VKDOVEL063F

*PN16 upon request



VKDOAV/CE 90-240 V AC

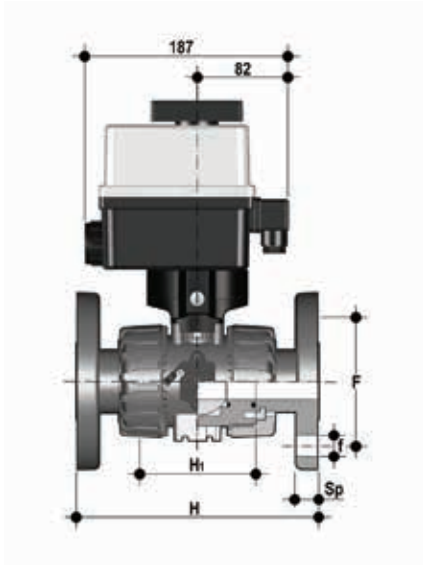
DUAL BLOCK® ball valve with fixed flanges, drilled ANSI B16.5 cl.150#FF with multi-volt electric actuator 90-240 V AC 50-60 Hz

d	DN	PN	H	H ₁	F	f	U	Sp	g	EPDM Code	FKM Code
1/2"	15	16	143	65	60.3	15.9	4	11	1775	VKDOAVEM012E	VKDOAVEM012F
3/4"	20	16	172	70	69.9	15.9	4	14	1903	VKDOAVEM034E	VKDOAVEM034F
1"	25	16	187	78	79.4	15.9	4	14	2011	VKDOAVEM100E	VKDOAVEM100F
1" 1/4	32	16	190	88	88.9	15.9	4	14	2369	VKDOAVEM114E	VKDOAVEM114F
1" 1/2	40	16	212	93	98.4	15.9	4	16	2601	VKDOAVEM112E	VKDOAVEM112F
2"	50	*10	234	111	120.7	19.1	4	16	3218	VKDOAVEM200E	VKDOAVEM200F

*PN16 upon request

DIMENSIONS

VKD/CE DN 10÷50 PVC-U

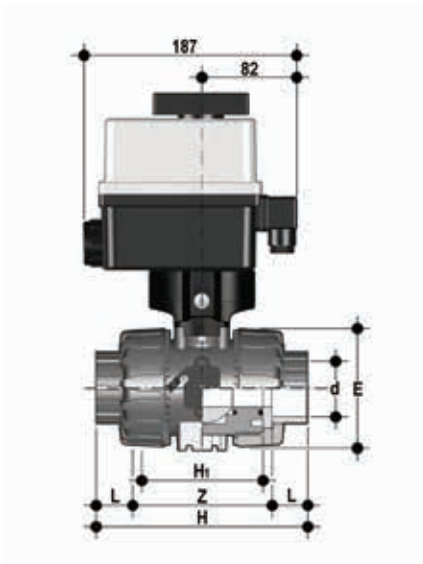


VKDOAV/CE 24 V AC/DC

DUAL BLOCK® ball valve with fixed flanges drilled ANSI B16.5 cl.150#FF with electric actuator 24 V AC/DC

d	DN	PN	H	H ₁	F	f	U	Sp	g	EPDM Code	FKM Code
1/2"	15	16	143	65	60.3	15.9	4	11	1775	VKDOAVEL012E	VKDOAVEL012F
3/4"	20	16	172	70	69.9	15.9	4	14	1903	VKDOAVEL034E	VKDOAVEL034F
1"	25	16	187	78	79.4	15.9	4	14	2011	VKDOAVEL100E	VKDOAVEL100F
1" 1/4	32	16	190	88	88.9	15.9	4	14	2369	VKDOAVEL114E	VKDOAVEL114F
1" 1/2	40	16	212	93	98.4	15.9	4	16	2601	VKDOAVEL112E	VKDOAVEL112F
2"	50	*10	234	111	120.7	19.1	4	16	3218	VKDOAVEL200E	VKDOAVEL200F

*PN16 upon request



VKDLV/CE 90-240 V AC

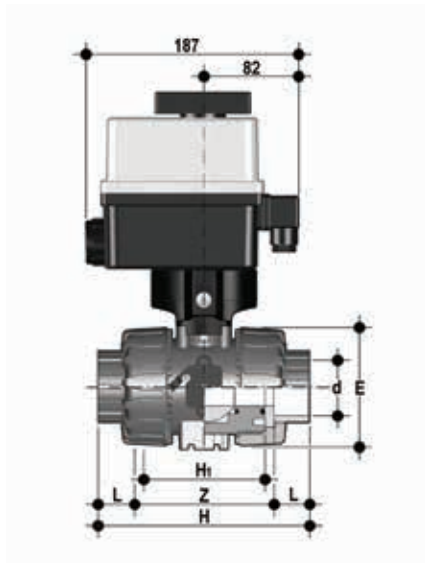
Two way DUAL BLOCK® ball valve with female ends for solvent welding, BS series with multi-volt electric actuator 90-240 V AC 50-60 Hz

d	DN	PN	E	H	H ₁	L	Z	g	EPDM Code	FKM Code
3/8"	10	16	54	103	65	14.5	74	1785	VKDLVEM038E	VKDLVEM038F
1/2"	15	16	54	103	65	16.5	70	1775	VKDLVEM012E	VKDLVEM012F
3/4"	20	16	65	115	70	19	77	1903	VKDLVEM034E	VKDLVEM034F
1"	25	16	73	128	78	22.5	83	2011	VKDLVEM100E	VKDLVEM100F
1" 1/4	32	16	86	146	88	26	94	2369	VKDLVEM114E	VKDLVEM114F
1" 1/2	40	16	98	164	93	30	104	2601	VKDLVEM112E	VKDLVEM112F
2"	50	*10	122	199	111	36	127	3218	VKDLVEM200E	VKDLVEM200F

*PN16 upon request

DIMENSIONS

VKD/CE DN 10÷50 PVC-U

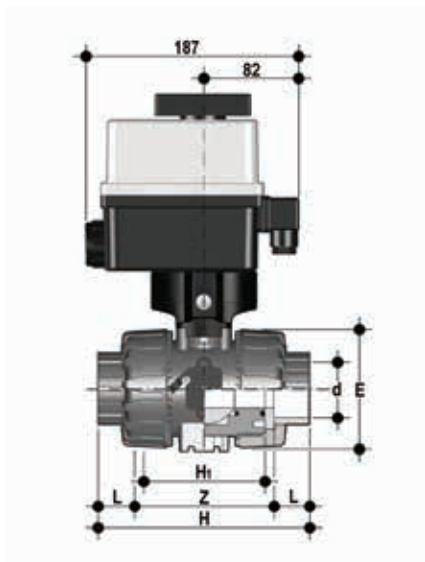


VKDLV/CE 24 V AC/DC

Two way DUAL BLOCK® ball valve with female ends for solvent welding, BS series with electric actuator 24 V AC/DC

d	DN	PN	E	H	H ₁	L	Z	g	EPDM Code	FKM Code
3/8"	10	16	54	103	65	14.5	74	1785	VKDLVEL038E	VKDLVEL038F
1/2"	15	16	54	103	65	16.5	70	1775	VKDLVEL012E	VKDLVEL012F
3/4"	20	16	65	115	70	19	77	1903	VKDLVEL034E	VKDLVEL034F
1"	25	16	73	128	78	22.5	83	2011	VKDLVEL100E	VKDLVEL100F
1" 1/4	32	16	86	146	88	26	94	2369	VKDLVEL114E	VKDLVEL114F
1" 1/2	40	16	98	164	93	30	104	2601	VKDLVEL112E	VKDLVEL112F
2"	50	*10	122	199	111	36	127	3218	VKDLVEL200E	VKDLVEL200F

*PN16 upon request



VKDAV/CE 90-240 V AC

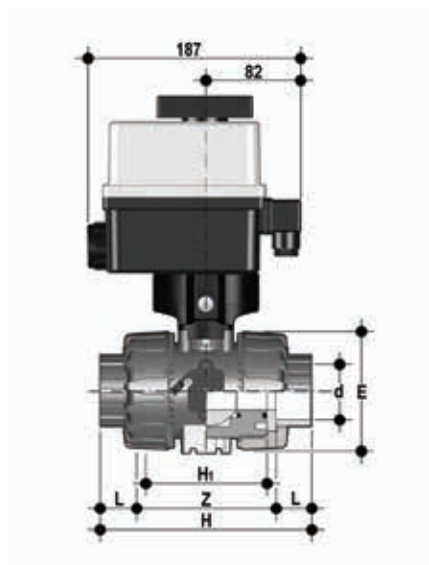
Two way DUAL BLOCK® ball valve with female ends for solvent welding, ASTM series with multi-volt electric actuator 90-240 V AC 50-60 Hz

d	DN	PN	E	H	H ₁	L	Z	g	EPDM Code	FKM Code
3/8"	10	16	54	117	65	19.5	78	1785	VKDAVEM038E	VKDAVEM038F
1/2"	15	16	54	117	65	22.5	72	1775	VKDAVEM012E	VKDAVEM012F
3/4"	20	16	65	129	70	25.5	78	1903	VKDAVEM034E	VKDAVEM034F
1"	25	16	73	142	78	28.7	84.6	2011	VKDAVEM100E	VKDAVEM100F
1" 1/4	32	16	86	162	88	32	98	2369	VKDAVEM114E	VKDAVEM114F
1" 1/2	40	16	98	172	93	35	102	2601	VKDAVEM112E	VKDAVEM112F
2"	50	*10	122	199	111	38.2	122.6	3218	VKDAVEM200E	VKDAVEM200F

*PN16 upon request

DIMENSIONS

VKD/CE DN 10÷50 PVC-U

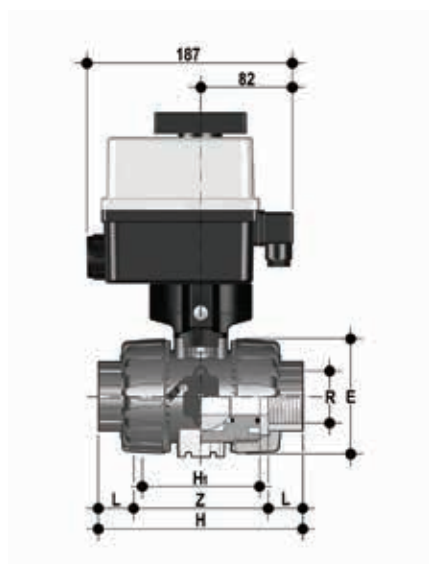


VKDAV/CE 24 V AC/DC

Two way DUAL BLOCK® ball valve with female ends for solvent welding, ASTM series with electric actuator 24 V AC/DC

d	DN	PN	E	H	H ₁	L	Z	g	EPDM Code	FKM Code
3/8"	10	16	54	117	65	19.5	78	1785	VKDAVEL038E	VKDAVEL038F
1/2"	15	16	54	117	65	22.5	72	1775	VKDAVEL012E	VKDAVEL012F
3/4"	20	16	65	129	70	25.5	78	1903	VKDAVEL034E	VKDAVEL034F
1"	25	16	73	142	78	28.7	84.6	2011	VKDAVEL100E	VKDAVEL100F
1" 1/4	32	16	86	162	88	32	98	2369	VKDAVEL114E	VKDAVEL114F
1" 1/2	40	16	98	172	93	35	102	2601	VKDAVEL112E	VKDAVEL112F
2"	50	*10	122	199	111	38.2	122.6	3218	VKDAVEL200E	VKDAVEL200F

*PN16 upon request



VKDNV/CE 90-240 V AC

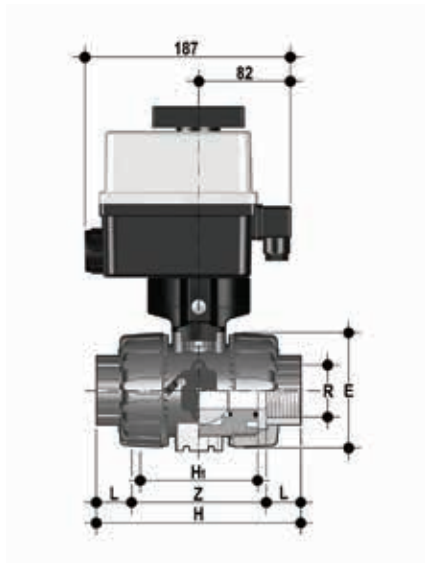
Two way DUAL BLOCK® ball valve with NPT thread female ends with multi-volt electric actuator 90-240 V AC 50-60 Hz

R	DN	PN	E	H	H ₁	L	Z	g	EPDM Code	FKM Code
3/8"	10	16	54	103	65	13.7	75.6	1785	VKDNVEM038E	VKDNVEM038F
1/2"	15	16	54	111	65	17.8	75.4	1775	VKDNVEM012E	VKDNVEM012F
3/4"	20	16	65	117	70	18	81	1903	VKDNVEM034E	VKDNVEM034F
1"	25	16	73	135	78	22.6	89.8	2011	VKDNVEM100E	VKDNVEM100F
1" 1/4	32	16	86	153	88	25.1	102.8	2369	VKDNVEM114E	VKDNVEM114F
1" 1/2	40	16	98	156	93	24.7	106.6	2601	VKDNVEM112E	VKDNVEM112F
2"	50	*10	122	186	111	29.6	126.8	3218	VKDNVEM200E	VKDNVEM200F

*PN16 upon request

DIMENSIONS

VKD/CE DN 10÷50 PVC-U

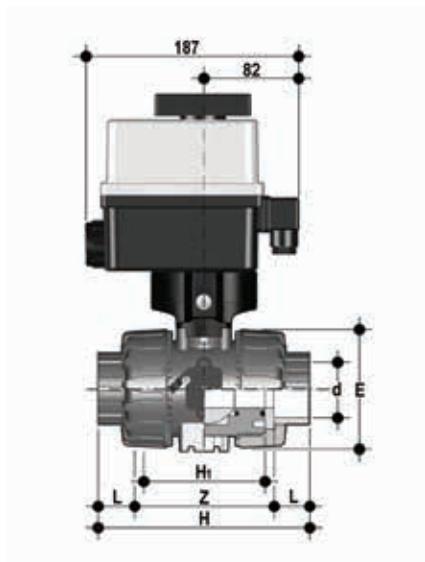


VKDNV/CE 24 V AC/DC

Two way DUAL BLOCK® ball valve with NPT thread female ends with electric actuator 24 V AC/DC

R	DN	PN	E	H	H ₁	L	Z	g	EPDM Code	FKM Code
3/8"	10	16	54	103	65	13.7	75.6	1785	VKDNVEL038E	VKDNVEL038F
1/2"	15	16	54	111	65	17.8	75.4	1775	VKDNVEL012E	VKDNVEL012F
3/4"	20	16	65	117	70	18	81	1903	VKDNVEL034E	VKDNVEL034F
1"	25	16	73	135	78	22.6	89.8	2011	VKDNVEL100E	VKDNVEL100F
1" 1/4	32	16	86	153	88	25.1	102.8	2369	VKDNVEL114E	VKDNVEL114F
1" 1/2	40	16	98	156	93	24.7	106.6	2601	VKDNVEL112E	VKDNVEL112F
2"	50	*10	122	186	111	29.6	126.8	3218	VKDNVEL200E	VKDNVEL200F

*PN16 upon request



VKDJV/CE 90-240 V AC

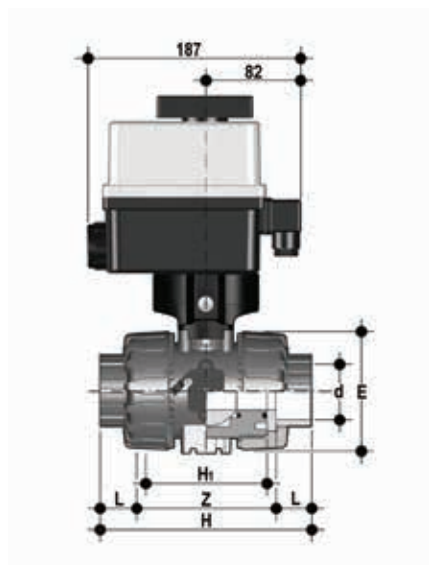
Two way DUAL BLOCK® ball valve with female ends for solvent welding, JIS series with multi-volt electric actuator 90-240 V AC 50-60 Hz

d	DN	PN	E	H	H ₁	L	Z	g	EPDM Code	FKM Code
1/2"	15	16	54	131	65	30	71	1775	VKDJVEM012E	VKDJVEM012F
3/4"	20	16	65	147	70	35	77	1903	VKDJVEM034E	VKDJVEM034F
1"	25	16	73	164	78	40	84	2011	VKDJVEM100E	VKDJVEM100F
1" 1/4	32	16	86	182	88	44	94	2369	VKDJVEM114E	VKDJVEM114F
1" 1/2	40	16	98	212	93	55	102	2601	VKDJVEM112E	VKDJVEM112F
2"	50	*10	122	248	111	63	122	3218	VKDJVEM200E	VKDJVEM200F

*PN16 upon request

DIMENSIONS

VKD/CE DN 10÷50 PVC-U

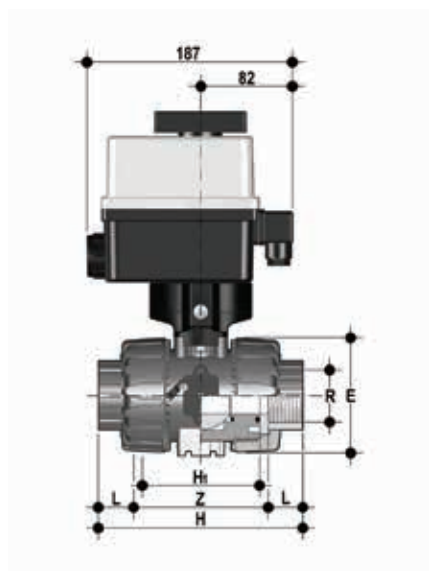


VKDJV/CE 24 V AC/DC

Two way DUAL BLOCK® ball valve with female ends for solvent welding, JIS series with electric actuator 24 V AC/DC

d	DN	PN	E	H	H ₁	L	Z	g	EPDM Code	FKM Code
1/2"	15	16	54	131	65	30	71	1775	VKDJVEM012E	VKDJVEM012F
3/4"	20	16	65	147	70	35	77	1903	VKDJVEM034E	VKDJVEM034F
1"	25	16	73	164	78	40	84	2011	VKDJVEM100E	VKDJVEM100F
1" 1/4	32	16	86	182	88	44	94	2369	VKDJVEM114E	VKDJVEM114F
1" 1/2	40	16	98	212	93	55	102	2601	VKDJVEM112E	VKDJVEM112F
2"	50	*10	122	248	111	63	122	3218	VKDJVEM200E	VKDJVEM200F

*PN16 upon request



VKDGV/CE 90-240 V AC

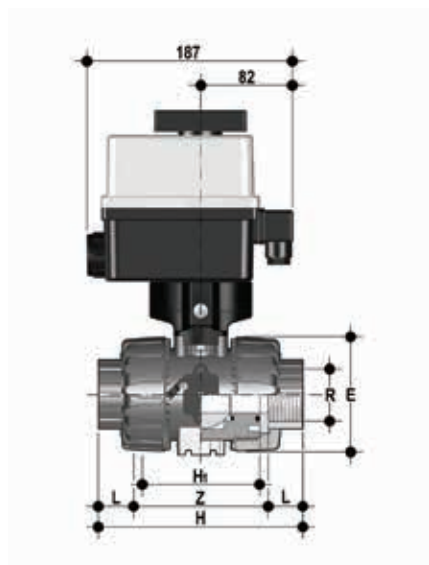
Two way DUAL BLOCK® ball valve with JIS thread female ends with multi-volt electric actuator 90-240 V AC 50-60 Hz

R	DN	PN	E	H	H ₁	L	Z	g	EPDM Code	FKM Code
1/2"	15	16	54	103	65	16	71	1775	VKDGVEEM012E	VKDGVEEM012F
3/4"	20	16	65	115	70	19	77	1903	VKDGVEEM034E	VKDGVEEM034F
1"	25	16	73	128	78	22	84	2011	VKDGVEEM100E	VKDGVEEM100F
1" 1/4	32	16	86	146	88	25	96	2369	VKDGVEEM114E	VKDGVEEM114F
1" 1/2	40	16	98	164	93	26	112	2601	VKDGVEEM112E	VKDGVEEM112F
2"	50	*10	122	199	111	31	137	3218	VKDGVEEM200E	VKDGVEEM200F

*PN16 upon request

DIMENSIONS

VKD/CE DN 10÷50 PVC-U



VKDGV/CE 24 V AC/DC

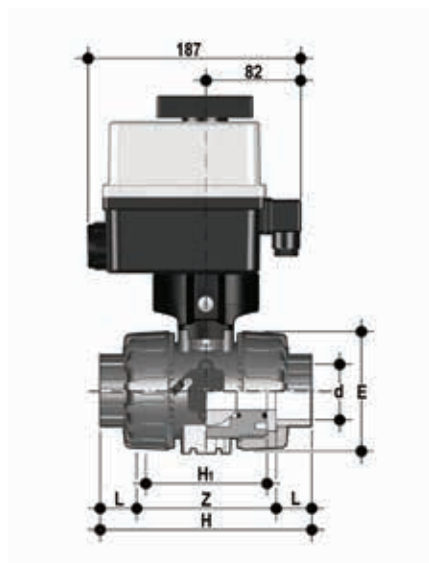
Two way DUAL BLOCK® ball valve with JIS thread female ends with electric actuator 24 V AC/DC

R	DN	PN	E	H	H ₁	L	Z	g	EPDM Code	FKM Code
1/2"	15	16	54	103	65	16	71	1775	VKDGVEL012E	VKDGVEL012F
3/4"	20	16	65	115	70	19	77	1903	VKDGVEL034E	VKDGVEL034F
1"	25	16	73	128	78	22	84	2011	VKDGVEL100E	VKDGVEL100F
1" 1/4	32	16	86	146	88	25	96	2369	VKDGVEL114E	VKDGVEL114F
1" 1/2	40	16	98	164	93	26	112	2601	VKDGVEL112E	VKDGVEL112F
2"	50	*10	122	199	111	31	137	3218	VKDGVEL200E	VKDGVEL200F

*PN16 upon request

DIMENSIONS

VKD/CE DN 10÷50 PVC-C

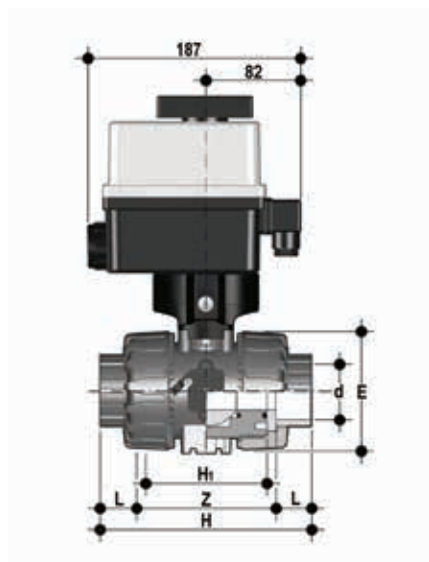


VKDIC/CE 90-240 V AC

DUAL BLOCK® ball valve with female ends for solvent welding, metric series with multi-volt electric actuator 90-240 V AC 50-60 Hz

d	DN	PN	E	H	H ₁	L	Z	g	EPDM Code	FKM Code
16	10	16	54	103	65	14	75	1798	VKDICEM016E	VKDICEM016F
20	15	16	54	103	65	16	71	1792	VKDICEM020E	VKDICEM020F
25	20	16	65	115	70	19	77	1923	VKDICEM025E	VKDICEM025F
32	25	16	73	128	78	22	84	2043	VKDICEM032E	VKDICEM032F
40	32	16	86	146	88	26	94	2400	VKDICEM040E	VKDICEM040F
50	40	16	98	164	93	31	102	2688	VKDICEM050E	VKDICEM050F
63	50	*10	122	199	111	38	123	3311	VKDICEM063E	VKDICEM063F

*PN 16 upon request



VKDIC/CE 24 V AC/DC

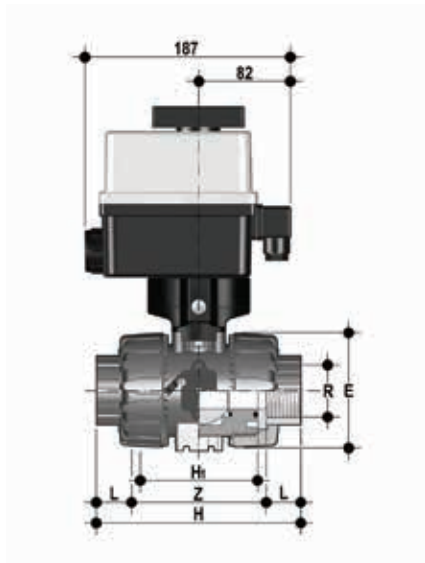
DUAL BLOCK® ball valve with female ends for solvent welding, metric series with electric actuator 24 V AC/DC

d	DN	PN	E	H	H ₁	L	Z	g	EPDM Code	FKM Code
16	10	16	54	103	65	14	75	1798	VKDICEL016E	VKDICEL016F
20	15	16	54	103	65	16	71	1792	VKDICEL020E	VKDICEL020F
25	20	16	65	115	70	19	77	1923	VKDICEL025E	VKDICEL025F
32	25	16	73	128	78	22	84	2043	VKDICEL032E	VKDICEL032F
40	32	16	86	146	88	26	94	2400	VKDICEL040E	VKDICEL040F
50	40	16	98	164	93	31	102	2688	VKDICEL050E	VKDICEL050F
63	50	*10	122	199	111	38	123	3311	VKDICEL063E	VKDICEL063F

*PN 16 upon request

DIMENSIONS

VKD/CE DN 10÷50 PVC-C

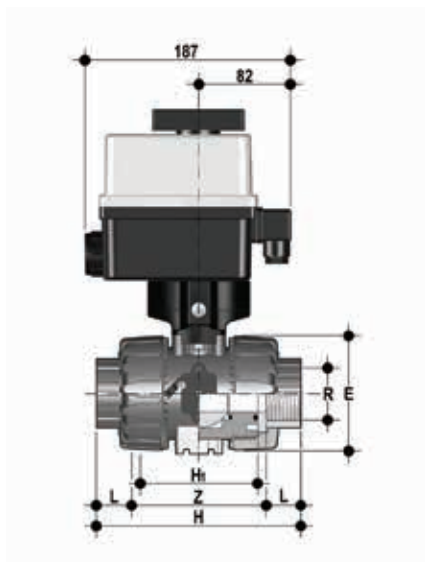


VKDNC/CE 90-240 V AC

Two way DUAL BLOCK® ball valve with NPT thread female ends with multi-volt electric actuator 90-240 V AC 50-60 Hz

R	DN	PN	E	H	H ₁	L	Z	g	EPDM Code	FKM Code
1/2"	15	16	54	111	65	17.8	75.4	1792	VKDNCCEM012E	VKDNCCEM012F
3/4"	20	16	65	117	70	18	81	1923	VKDNCCEM034E	VKDNCCEM034F
1"	25	16	73	135	78	22.6	89.8	2043	VKDNCCEM100E	VKDNCCEM100F
1" 1/4	32	16	86	153	88	25.1	102.8	2400	VKDNCCEM114E	VKDNCCEM114F
1" 1/2	40	16	98	156	93	24.7	106.6	2688	VKDNCCEM112E	VKDNCCEM112F
2"	50	*10	122	186	111	29.6	126.8	3311	VKDNCCEM200E	VKDNCCEM200F

*PN 16 upon request



VKDNC/CE 24 V AC/DC

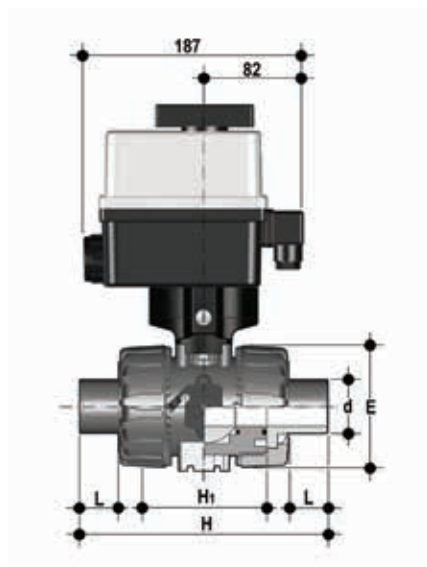
Two way DUAL BLOCK® ball valve with NPT thread female ends with electric actuator 24 V AC/DC

R	DN	PN	E	H	H ₁	L	Z	g	EPDM Code	FKM Code
1/2"	15	16	54	111	65	17.8	75.4	1792	VKDNCCEL012E	VKDNCCEL012F
3/4"	20	16	65	117	70	18	81	1923	VKDNCCEL034E	VKDNCCEL034F
1"	25	16	73	135	78	22.6	89.8	2043	VKDNCCEL100E	VKDNCCEL100F
1" 1/4	32	16	86	153	88	25.1	102.8	2400	VKDNCCEL114E	VKDNCCEL114F
1" 1/2	40	16	98	156	93	24.7	106.6	2688	VKDNCCEL112E	VKDNCCEL112F
2"	50	*10	122	186	111	29.6	126.8	3311	VKDNCCEL200E	VKDNCCEL200F

*PN 16 upon request

DIMENSIONS

VKD/CE DN 10÷50 PVC-C

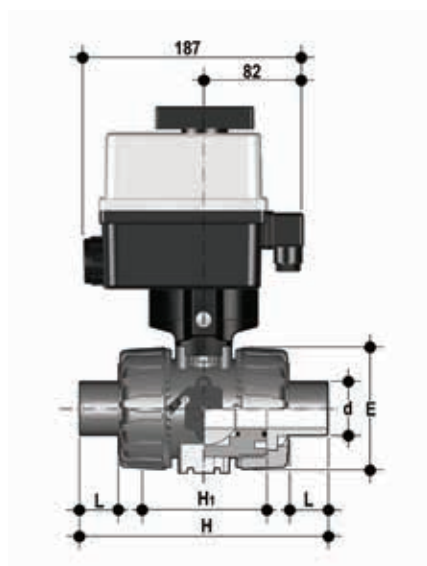


VKDDC/CE 90-240 V AC

DUAL BLOCK® ball valve with male ends for solvent welding, metric series with multi-volt electric actuator 90-240 V AC 50-60 Hz

d	DN	PN	E	H	H ₁	L	g	EPDM Code	FKM Code
16	10	16	54	149	65	14	1798	VKDDCEM016E	VKDDCEM016F
20	15	16	54	124	65	16	1792	VKDDCEM020E	VKDDCEM020F
25	20	16	65	144	70	19	1923	VKDDCEM025E	VKDDCEM025F
32	25	16	73	154	78	22	2043	VKDDCEM032E	VKDDCEM032F
40	32	16	86	174	88	26	2400	VKDDCEM040E	VKDDCEM040F
50	40	16	98	194	93	31	2688	VKDDCEM050E	VKDDCEM050F
63	50	*10	122	224	111	38	3311	VKDDCEM063E	VKDDCEM063F

*PN 16 upon request



VKDDC/CE 24 V AC/DC

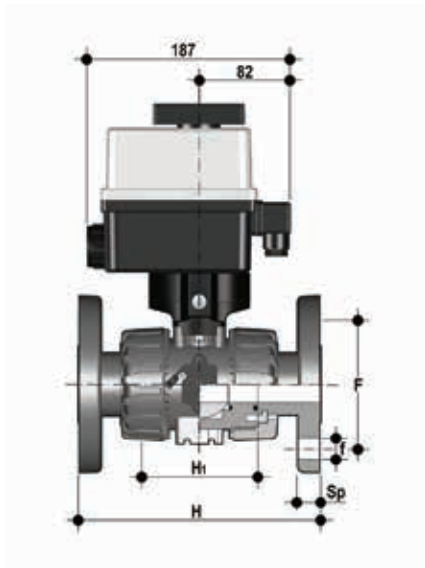
DUAL BLOCK® ball valve with male ends for solvent welding, metric series with electric actuator 24 V AC/DC

d	DN	PN	E	H	H ₁	L	g	EPDM Code	FKM Code
16	10	16	54	149	65	14	1798	VKDDCEL016E	VKDDCEL016F
20	15	16	54	124	65	16	1792	VKDDCEL020E	VKDDCEL020F
25	20	16	65	144	70	19	1923	VKDDCEL025E	VKDDCEL025F
32	25	16	73	154	78	22	2043	VKDDCEL032E	VKDDCEL032F
40	32	16	86	174	88	26	2400	VKDDCEL040E	VKDDCEL040F
50	40	16	98	194	93	31	2688	VKDDCEL050E	VKDDCEL050F
63	50	*10	122	224	111	38	3311	VKDDCEL063E	VKDDCEL063F

*PN 16 upon request

DIMENSIONS

VKD/CE DN 10÷50 PVC-C

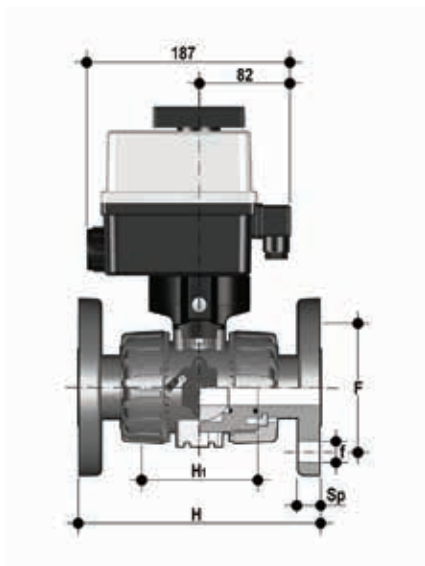


VKDOC/CE 90-240 V AC

DUAL BLOCK® Ball Valve with fixed flanges, drilled EN/ISO/DIN PN 10/16, face to face dimensions as per EN 558-1 with multi-volt electric actuator 90-240 V AC 50-60 Hz

d	DN	PN	H	H ₁	F	f	U	Sp	g	EPDM Code	FKM Code
20	15	16	130	65	65	14	4	11	1792	VKDOCEM020E	VKDOCEM020F
25	20	16	150	70	75	14	4	13.5	1923	VKDOCEM025E	VKDOCEM025F
32	25	16	160	78	85	14	4	14	2043	VKDOCEM032E	VKDOCEM032F
40	32	16	180	88	100	18	4	14	2400	VKDOCEM040E	VKDOCEM040F
50	40	16	200	93	110	18	4	16	2688	VKDOCEM050E	VKDOCEM050F
63	50	*10	230	111	125	18	4	16	3311	VKDOCEM063E	VKDOCEM063F

*PN 16 upon request



VKDOC/CE 24 V AC/DC

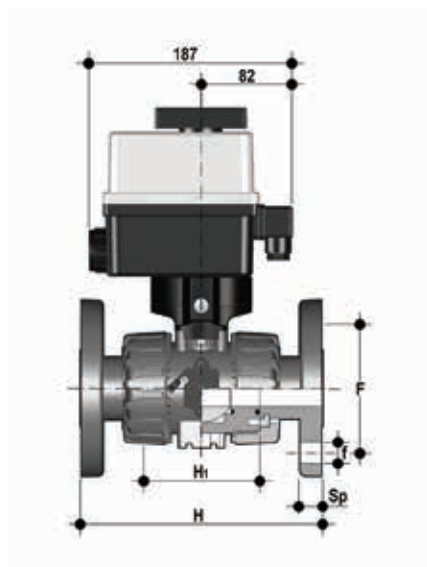
DUAL BLOCK® Ball Valve with fixed flanges, drilled EN/ISO/DIN PN 10/16, face to face dimensions as per EN 558-1 with electric actuator 24 V AC/DC

d	DN	PN	H	H ₁	F	f	U	Sp	g	EPDM Code	FKM Code
20	15	16	130	65	65	14	4	11	1792	VKDOCEL020E	VKDOCEL020F
25	20	16	150	70	75	14	4	13.5	1923	VKDOCEL025E	VKDOCEL025F
32	25	16	160	78	85	14	4	14	2043	VKDOCEL032E	VKDOCEL032F
40	32	16	180	88	100	18	4	14	2400	VKDOCEL040E	VKDOCEL040F
50	40	16	200	93	110	18	4	16	2688	VKDOCEL050E	VKDOCEL050F
63	50	*10	230	111	125	18	4	16	3311	VKDOCEL063E	VKDOCEL063F

*PN 16 upon request

DIMENSIONS

VKD/CE DN 10÷50 PVC-C

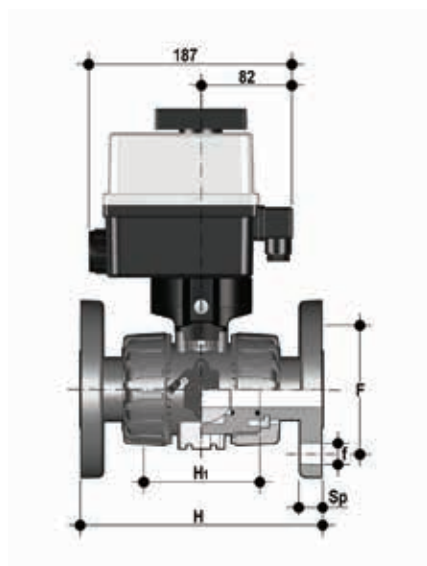


VKDOAC/CE 90-240 V AC

DUAL BLOCK® Ball Valve with free flanges EN/ISO/DIN PN 10/16, face to face dimensions as per EN 558-1 with electric actuator 24 V AC/DC

d	DN	PN	H	H ₁	F	f	U	Sp	g	EPDM Code	FKM Code
1/2"	15	16	143	65	60.3	15.9	4	11	1792	VKDOACEM012E	VKDOACEM012F
3/4"	20	16	172	70	69.9	15.9	4	13.5	1923	VKDOACEM034E	VKDOACEM034F
1"	25	16	187	78	79.4	15.9	4	14	2043	VKDOACEM100E	VKDOACEM100F
1" 1/4	32	16	190	88	88.9	15.9	4	14	2400	VKDOACEM114E	VKDOACEM114F
1" 1/2	40	16	212	93	98.4	15.9	4	16	2688	VKDOACEM112E	VKDOACEM112F
2"	50	*10	234	111	120.7	19.1	4	16	3311	VKDOACEM200E	VKDOACEM200F

*PN 16 upon request



VKDOAC/CE 24 V AC/DC

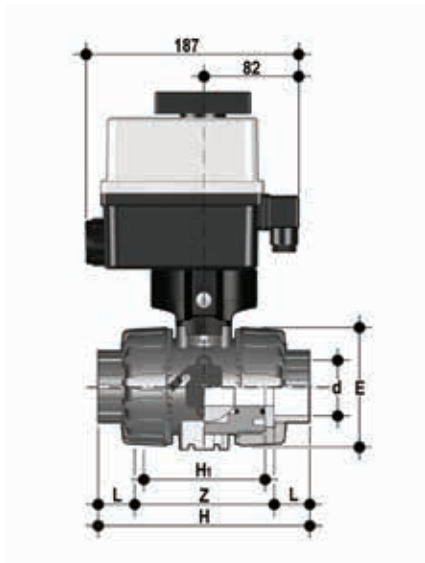
DUAL BLOCK® ball valve with fixed flanges drilled ANSI B16.5 cl.150#FF with electric actuator 24 V AC/DC

d	DN	PN	H	H ₁	F	f	U	Sp	g	EPDM Code	FKM Code
1/2"	15	16	143	65	60.3	15.9	4	11	1792	VKDOACEL012E	VKDOACEL012F
3/4"	20	16	172	70	69.9	15.9	4	13.5	1923	VKDOACEL034E	VKDOACEL034F
1"	25	16	187	78	79.4	15.9	4	14	2043	VKDOACEL100E	VKDOACEL100F
1" 1/4	32	16	190	88	88.9	15.9	4	14	2400	VKDOACEL114E	VKDOACEL114F
1" 1/2	40	16	212	93	98.4	15.9	4	16	2688	VKDOACEL112E	VKDOACEL112F
2"	50	*10	234	111	120.7	19.1	4	16	3311	VKDOACEL200E	VKDOACEL200F

*PN 16 upon request

DIMENSIONS

VKD/CE DN 10÷50 PVC-C

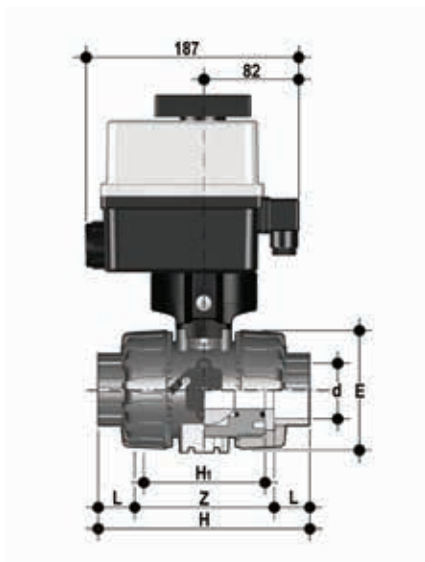


VKDAC/CE 90-240 V AC

Two way DUAL BLOCK® ball valve with female ends for solvent welding, ASTM series with multi-volt electric actuator 90-240 V AC 50-60 Hz

d	DN	PN	E	H	H ₁	L	Z	g	EPDM Code	FKM Code
1/2"	15	16	54	117	65	22.5	72	1792	VKDACEM012E	VKDACEM012F
3/4"	20	16	65	129	70	25.5	78	1923	VKDACEM034E	VKDACEM034F
1"	25	16	73	142	78	28.7	84.6	2043	VKDACEM100E	VKDACEM100F
1" 1/4	32	16	86	162	88	32	98	2400	VKDACEM114E	VKDACEM114F
1" 1/2	40	16	98	172	93	35	102	2688	VKDACEM112E	VKDACEM112F
2"	50	*10	122	199	111	38.2	122.6	3311	VKDACEM200E	VKDACEM200F

*PN 16 upon request



VKDAC/CE 24 V AC/DC

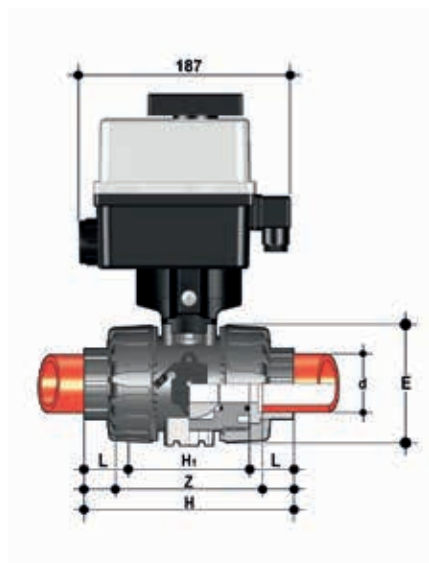
Two way DUAL BLOCK® ball valve with female ends for solvent welding, ASTM series with electric actuator 24 V AC/DC

d	DN	PN	E	H	H ₁	L	Z	g	EPDM Code	FKM Code
1/2"	15	16	54	117	65	22.5	72	1792	VKDACEL012E	VKDACEL012F
3/4"	20	16	65	129	70	25.5	78	1923	VKDACEL034E	VKDACEL034F
1"	25	16	73	142	78	28.7	84.6	2043	VKDACEL100E	VKDACEL100F
1" 1/4	32	16	86	162	88	32	98	2400	VKDACEL114E	VKDACEL114F
1" 1/2	40	16	98	172	93	35	102	2688	VKDACEL112E	VKDACEL112F
2"	50	*10	122	199	111	38.2	122.6	3311	VKDACEL200E	VKDACEL200F

*PN 16 upon request

DIMENSIONS

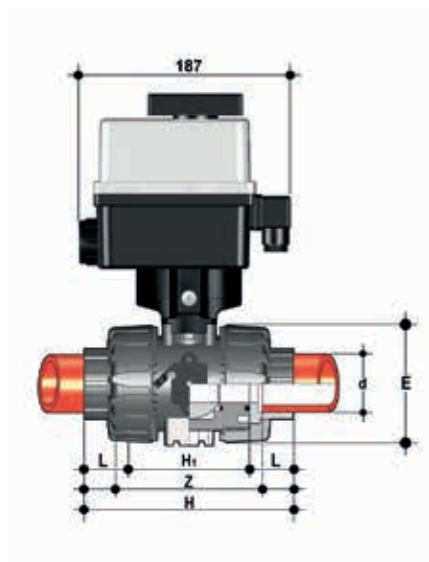
VKD/CE DN 10÷50 PP-H



VKDIM/CE 90-240 V AC

DUAL BLOCK® ball valve with female ends for socket welding, metric series with multi-volt electric actuator 90-240 V AC 50-60 Hz

d	DN	PN	E	H	H ₁	L	Z	g	EPDM Code	FKM Code
16	10	10	54	103	65	14	75	1720	VKDIMEM016E	VKDIMEM016F
20	15	10	54	103	65	16	71	1715	VKDIMEM020E	VKDIMEM020F
25	20	10	65	115	70	19	77	1791	VKDIMEM025E	VKDIMEM025F
32	25	10	73	128	78	22	84	1871	VKDIMEM032E	VKDIMEM032F
40	32	10	86	146	88	26	94	2156	VKDIMEM040E	VKDIMEM040F
50	40	10	98	164	93	31	102	2358	VKDIMEM050E	VKDIMEM050F
63	50	10	122	199	111	38	123	2807	VKDIMEM063E	VKDIMEM063F



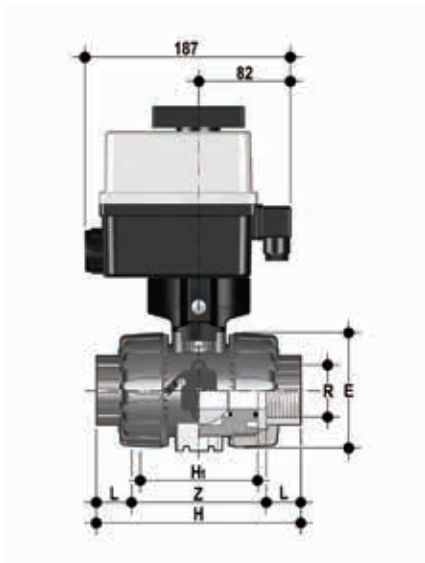
VKDIM/CE 24 V AC/DC

DUAL BLOCK® ball valve with female ends for socket welding, metric series with electric actuator 24 V AC/DC

d	DN	PN	E	H	H ₁	L	Z	g	EPDM Code	FKM Code
16	10	10	54	102	65	14	74.5	1720	VKDIMEL016E	VKDIMEL016F
20	15	10	54	102	65	15	73	1715	VKDIMEL020E	VKDIMEL020F
25	20	10	65	114	70	17	82	1791	VKDIMEL025E	VKDIMEL025F
32	25	10	73	126	78	19	90	1871	VKDIMEL032E	VKDIMEL032F
40	32	10	86	141	88	23	100	2156	VKDIMEL040E	VKDIMEL040F
50	40	10	98	164	93	24	117	2358	VKDIMEL050E	VKDIMEL050F
63	50	10	122	199	111	28	144	2807	VKDIMEL063E	VKDIMEL063F

DIMENSIONS

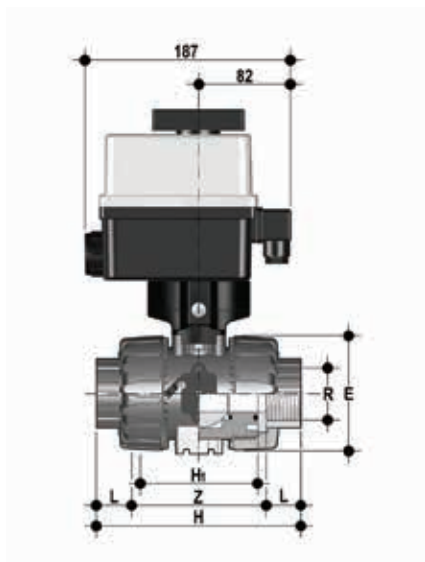
VKD/CE DN 10÷50 PP-H



VKDFM/CE 90-240 V AC

DUAL BLOCK® ball valve with female ends, gas cylinder thread with multi-volt electric actuator 90-240 V AC 50-60 Hz

R	DN	PN	E	H	H ₁	L	Z	g	EPDM Code	FKM Code
1/2"	15	10	54	110	65	15	80	1715	VKDFMEM012E	VKDFMEM012F
3/4"	20	10	65	116	70	16	83	1791	VKDFMEM034E	VKDFMEM034F
1"	25	10	73	134	78	19	96	1871	VKDFMEM100E	VKDFMEM100F
1" 1/4	32	10	86	153	88	21	110	2156	VKDFMEM114E	VKDFMEM114F
1" 1/2	40	10	98	156	93	21	113	2358	VKDFMEM112E	VKDFMEM112F
2"	50	10	122	186	111	26	135	2807	VKDFMEM200E	VKDFMEM200F



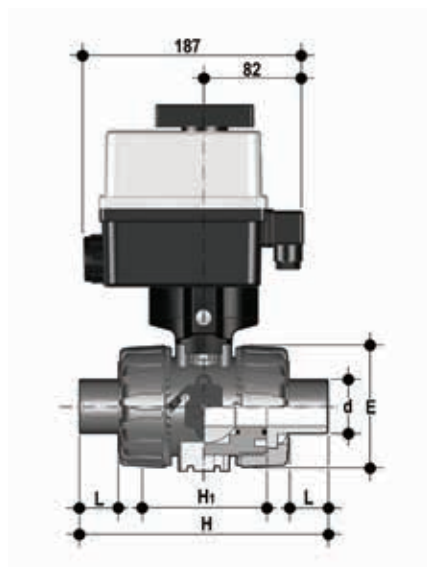
VKDFM/CE 24 V AC/DC

DUAL BLOCK® ball valve with female ends, gas cylinder thread with electric actuator 24 V AC/DC

R	DN	PN	E	H	H ₁	L	Z	g	EPDM Code	FKM Code
1/2"	15	10	54	110	65	15	80	1715	VKDFMEL012E	VKDFMEL012F
3/4"	20	10	65	116	70	16	83	1791	VKDFMEL034E	VKDFMEL034F
1"	25	10	73	134	78	19	96	1871	VKDFMEL100E	VKDFMEL100F
1" 1/4	32	10	86	153	88	21	110	2156	VKDFMEL114E	VKDFMEL114F
1" 1/2	40	10	98	156	93	21	113	2358	VKDFMEL112E	VKDFMEL112F
2"	50	10	122	186	111	26	135	2807	VKDFMEL200E	VKDFMEL200F

DIMENSIONS

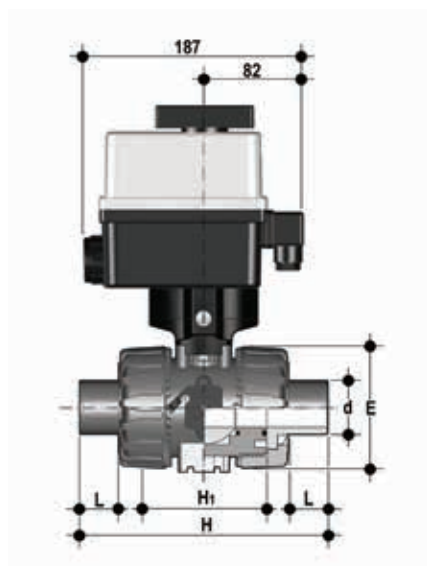
VKD/CE DN 10÷50 PP-H



VKDDM/CE 90-240 V AC

DUAL BLOCK® ball valve with male ends for socket welding, metric series with multi-volt electric actuator 90-240 V AC 50-60 Hz

d	DN	PN	E	H	H ₁	L	g	EPDM Code	FKM Code
20	15	10	54	124	65	16	1715	VKDDMEM020E	VKDDMEM020F
25	20	10	65	144	70	18	1791	VKDDMEM025E	VKDDMEM025F
32	25	10	73	154	78	20	1871	VKDDMEM032E	VKDDMEM032F
40	32	10	86	174	88	22	2156	VKDDMEM040E	VKDDMEM040F
50	40	10	98	194	93	23	2358	VKDDMEM050E	VKDDMEM050F
63	50	10	122	224	111	29	2807	VKDDMEM063E	VKDDMEM063F



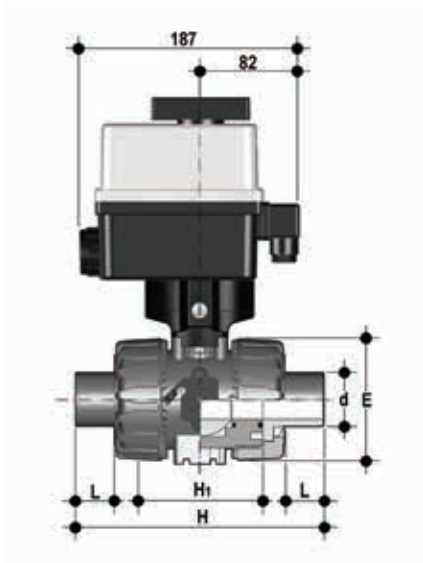
VKDDM/CE 24 V AC/DC

DUAL BLOCK® ball valve with male ends for socket welding, metric series with electric actuator 24 V AC/DC

d	DN	PN	E	H	H ₁	L	g	EPDM Code	FKM Code
20	15	10	54	124	65	16	1715	VKDDMEL020E	VKDDMEL020F
25	20	10	65	144	70	18	1791	VKDDMEL025E	VKDDMEL025F
32	25	10	73	154	78	20	1871	VKDDMEL032E	VKDDMEL032F
40	32	10	86	174	88	22	2156	VKDDMEL040E	VKDDMEL040F
50	40	10	98	194	93	23	2358	VKDDMEL050E	VKDDMEL050F
63	50	10	122	224	111	29	2807	VKDDMEL063E	VKDDMEL063F

DIMENSIONS

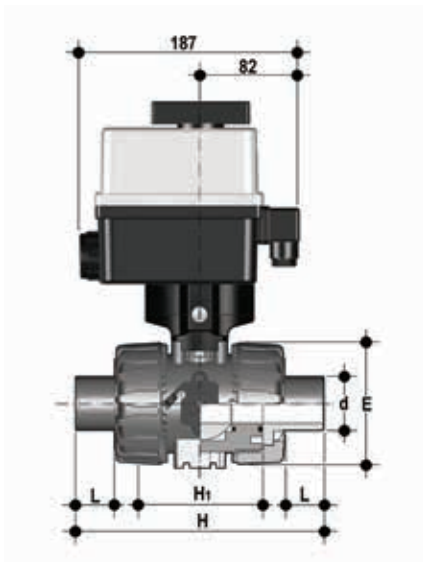
VKD/CE DN 10÷50 PP-H



VKDBM/CE 90-240 V AC

DUAL BLOCK® ball valve with long spigot male ends in PP-H SDR21 for head welding (CVDM) with multi-volt electric actuator 90-240 V AC 50-60 Hz

d	DN	PN	E	H	H ₁	L	Z	g	EPDM Code	FKM Code
20	15	10	54	175	65	41	93	1715	VKDBMEM020E	VKDBMEM020F
25	20	10	65	210	70	52	106	1791	VKDBMEM025E	VKDBMEM025F
32	25	10	73	226	78	55	116	1871	VKDBMEM032E	VKDBMEM032F
40	32	10	86	243	88	56	131	2156	VKDBMEM040E	VKDBMEM040F
50	40	10	98	261	93	58	145	2358	VKDBMEM050E	VKDBMEM050F
63	50	10	122	293	111	66	161	2807	VKDBMEM063E	VKDBMEM063F



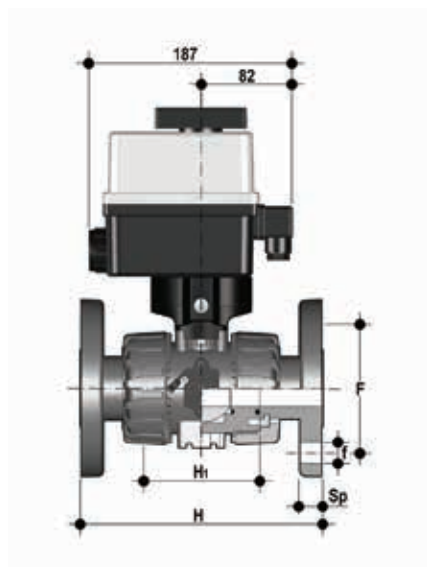
VKDBM/CE 24 V AC/DC

DUAL BLOCK® ball valve with long spigot male ends in PP-H SDR21 for head welding (CVDM) with electric actuator 24 V AC/DC

d	DN	PN	E	H	H ₁	L	Z	g	EPDM Code	FKM Code
20	15	10	54	175	65	41	93	1715	VKDBMEL020E	VKDBMEL020F
25	20	10	65	210	70	52	106	1791	VKDBMEL025E	VKDBMEL025F
32	25	10	73	226	78	55	116	1871	VKDBMEL032E	VKDBMEL032F
40	32	10	86	243	88	56	131	2156	VKDBMEL040E	VKDBMEL040F
50	40	10	98	261	93	58	145	2358	VKDBMEL050E	VKDBMEL050F
63	50	10	122	293	111	66	161	2807	VKDBMEL063E	VKDBMEL063F

DIMENSIONS

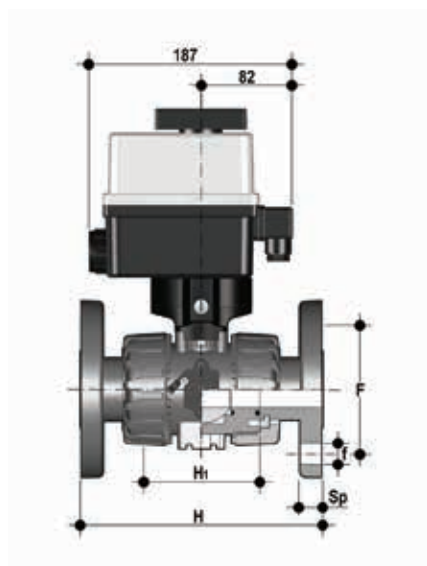
VKD/CE DN 10÷50 PP-H



VKDOM/CE 90-240 V AC

DUAL BLOCK® Ball Valve with fixed flanges EN/ISO/DIN PN 10/16, face to face dimensions as per EN 558-1 with multi-volt electric actuator 90-240 V AC 50-60 Hz

d	DN	PN	H	H ₁	F	f	U	Sp	g	EPDM Code	FKM Code
20	15	10	130	65	65	14	4	11	1715	VKDOMEM020E	VKDOMEM020F
25	20	10	150	70	75	14	4	13.5	1791	VKDOMEM025E	VKDOMEM025F
32	25	10	160	78	85	14	4	14	1871	VKDOMEM032E	VKDOMEM032F
40	32	10	180	88	100	18	4	14	2156	VKDOMEM040E	VKDOMEM040F
50	40	10	200	93	110	18	4	16	2358	VKDOMEM050E	VKDOMEM050F
63	50	10	230	111	125	18	4	16	2807	VKDOMEM063E	VKDOMEM063F



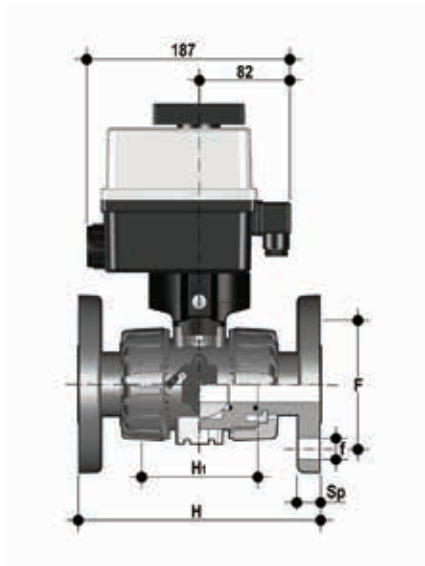
VKDOM/CE 24 V AC/DC

DUAL BLOCK® Ball Valve with fixed flanges EN/ISO/DIN PN 10/16, face to face dimensions as per EN 558-1 with electric actuator 24 V AC/DC

d	DN	PN	H	H ₁	F	f	U	Sp	g	EPDM Code	FKM Code
20	15	10	130	65	65	14	4	11	1715	VKDOMEL020E	VKDOMEL020F
25	20	10	150	70	75	14	4	14	1791	VKDOMEL025E	VKDOMEL025F
32	25	10	160	78	85	14	4	14	1871	VKDOMEL032E	VKDOMEL032F
40	32	10	180	88	100	18	4	14	2156	VKDOMEL040E	VKDOMEL040F
50	40	10	200	93	110	18	4	16	2358	VKDOMEL050E	VKDOMEL050F
63	50	10	230	111	125	18	4	16	2807	VKDOMEL063E	VKDOMEL063F

DIMENSIONS

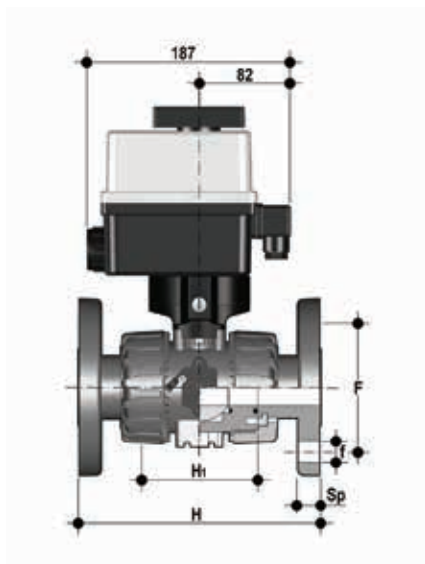
VKD/CE DN 10÷50 PP-H



VKDOAM/CE 90-240 V AC

DUAL BLOCK® ball valve with fixed flanges, drilled ANSI B16.5 cl.150#FF with multi-volt electric actuator 90-240 V AC 50-60 Hz

d	DN	PN	H	H ₁	F	f	U	Sp	g	EPDM Code	FKM Code
1/2"	15	10	143	65	60.3	15.9	4	11	1715	VKDOAMEM012E	VKDOAMEM012F
3/4"	20	10	172	70	69.9	15.9	4	14	1791	VKDOAMEM034E	VKDOAMEM034F
1"	25	10	187	78	79.4	15.9	4	14	1871	VKDOAMEM100E	VKDOAMEM100F
1" 1/4	32	10	190	88	88.9	15.9	4	14	2156	VKDOAMEM114E	VKDOAMEM114F
1" 1/2	40	10	212	93	98.4	15.9	4	16	2358	VKDOAMEM112E	VKDOAMEM112F
2"	50	10	234	111	120.7	19.1	4	16	2807	VKDOAMEM200E	VKDOAMEM200F



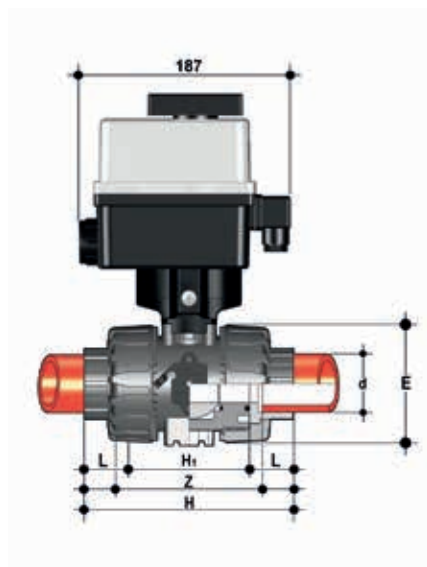
VKDOAM/CE 24 V AC/DC

DUAL BLOCK® ball valve with fixed flanges drilled ANSI B16.5 cl.150#FF with electric actuator 24 V AC/DC

d	DN	PN	H	H ₁	F	f	U	Sp	g	EPDM Code	FKM Code
1/2"	15	10	143	65	60.3	15.9	4	11	1715	VKDOAMEL012E	VKDOAMEL012F
3/4"	20	10	172	70	69.9	15.9	4	14	1791	VKDOAMEL034E	VKDOAMEL034F
1"	25	10	187	78	79.4	15.9	4	14	1871	VKDOAMEL100E	VKDOAMEL100F
1" 1/4	32	10	190	88	88.9	15.9	4	14	2156	VKDOAMEL114E	VKDOAMEL114F
1" 1/2	40	10	212	93	98.4	15.9	4	16	2358	VKDOAMEL112E	VKDOAMEL112F
2"	50	10	234	111	120.7	19.1	4	16	2807	VKDOAMEL200E	VKDOAMEL200F

DIMENSIONS

VKD/CE DN 10÷50 PVDF

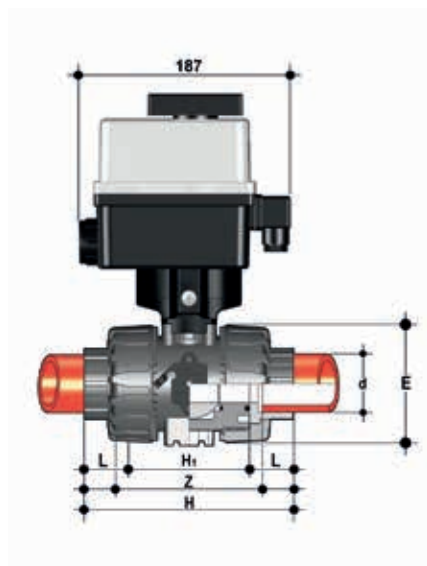


VKDIF/CE 90-240 V AC

DUAL BLOCK® ball valve with female ends for socket welding, metric series with multi-volt electric actuator 90-240 V AC 50-60 Hz

d	DN	PN	E	H	H ₁	L	Z	g	FKM Code
16	10	16	54	102	65	14	74.5	1830	VKDIFEM016F
20	15	16	54	102	65	15	73	1825	VKDIFEM020F
25	20	16	65	114	70	17	82	1963	VKDIFEM025F
32	25	16	73	126	78	19	90	2123	VKDIFEM032F
40	32	16	86	141	88	23	100	2491	VKDIFEM040F
50	40	16	98	164	93	24	117	2826	VKDIFEM050F
63	50	*10	122	199	111	28	144	3611	VKDIFEM063F

* PN16 upon request



VKDIF/CE 24 V AC/DC

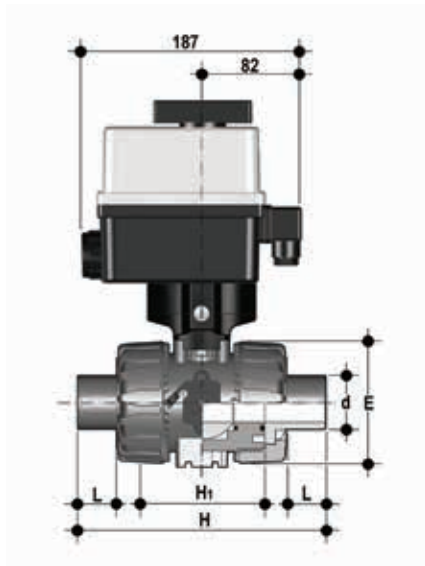
DUAL BLOCK® ball valve with female ends for socket welding, metric series with electric actuator 24 V AC/DC

d	DN	PN	E	H	H ₁	L	Z	g	FKM Code
16	10	16	54	102	65	14	74.5	1830	VKDIFEL016F
20	15	16	54	102	65	15	73	1825	VKDIFEL020F
25	20	16	65	114	70	17	82	1963	VKDIFEL025F
32	25	16	73	126	78	19	90	2123	VKDIFEL032F
40	32	16	86	141	88	23	100	2491	VKDIFEL040F
50	40	16	98	164	93	24	117	2826	VKDIFEL050F
63	50	*10	122	199	111	28	144	3611	VKDIFEL063F

* PN16 upon request

DIMENSIONS

VKD/CE DN 10÷50 PVDF

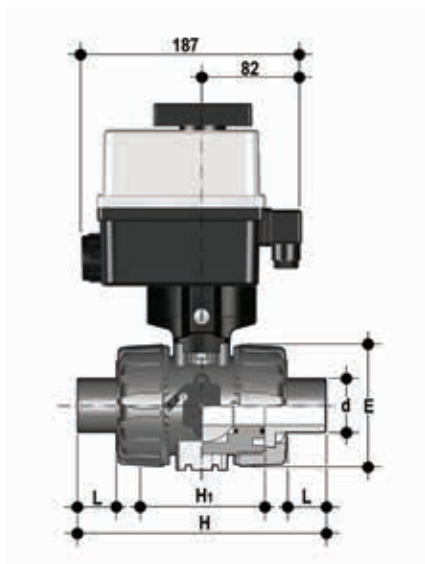


VKDDF/CE 90-240 V AC

DUAL BLOCK® ball valve with male ends for socket welding, metric series with multi-volt electric actuator 90-240 V AC 50-60 Hz

d	DN	PN	E	H	H ₁	L	g	FKM Code
20	15	16	54	124	65	16	1825	VKDDFEM020F
25	20	16	65	144	70	18	1963	VKDDFEM025F
32	25	16	73	154	78	20	2123	VKDDFEM032F
40	32	16	86	174	88	22	2491	VKDDFEM040F
50	40	16	98	194	93	23	2826	VKDDFEM050F
63	50	*10	122	224	111	29	3611	VKDDFEM063F

* PN16 upon request



VKDDF/CE 24 V AC/DC

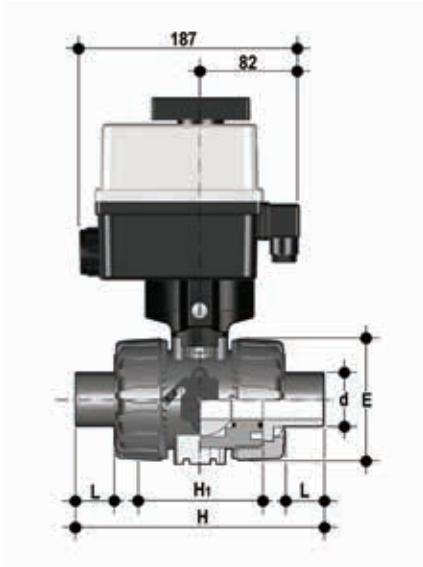
DUAL BLOCK® ball valve with male ends for socket welding, metric series with electric actuator 24 V AC/DC

d	DN	PN	E	H	H ₁	L	g	FKM Code
20	15	16	54	124	65	16	1825	VKDDFEL020F
25	20	16	65	144	70	18	1963	VKDDFEL025F
32	25	16	73	154	78	20	2123	VKDDFEL032F
40	32	16	86	174	88	22	2491	VKDDFEL040F
50	40	16	98	194	93	23	2826	VKDDFEL050F
63	50	*10	122	224	111	29	3611	VKDDFEL063F

* PN 16 upon request

DIMENSIONS

VKD/CE DN 10÷50 PVDF

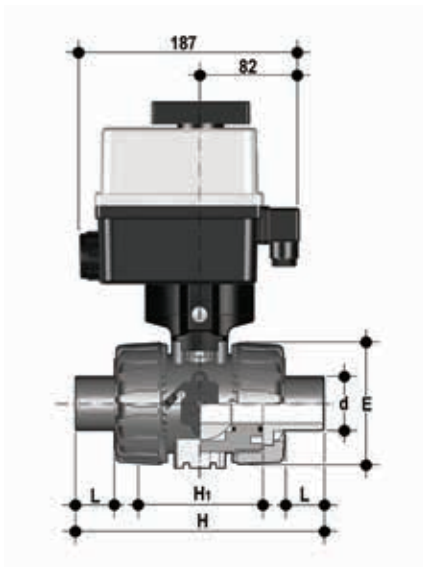


VKDBF/CE 90-240 V AC

DUAL BLOCK® ball valve with long spigot male ends in PVDF SDR21 for head welding (CVDF) with multi-volt electric actuator 90-240 V AC 50-60 Hz

d	DN	PN	E	H	H ₁	L	Z	g	FKM Code
20	15	16	54	171	65	41	89	1825	VKDBFEM020F
25	20	16	65	204	70	52	100	1963	VKDBFEM025F
32	25	16	73	220	78	55	110	2123	VKDBFEM032F
40	32	16	86	238	88	56	126	2491	VKDBFEM040F
50	40	16	98	254	93	58	138	2826	VKDBFEM050F
63	50	*10	122	286	111	66	154	3611	VKDBFEM063F

* PN16 upon request



VKDBF/CE 24 V AC/DC

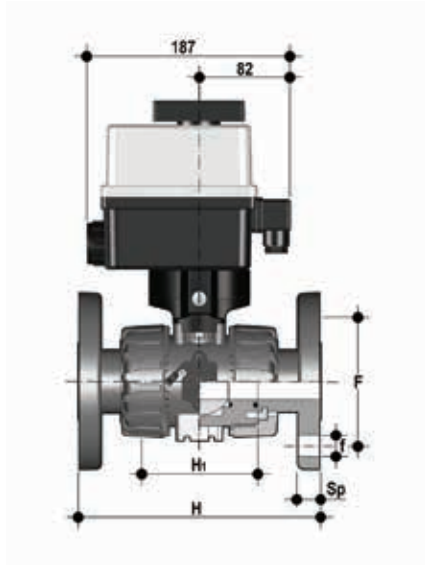
DUAL BLOCK® ball valve with long spigot male ends in PVDF SDR21 for head welding (CVDF) with electric actuator 24 V AC/DC*

d	DN	PN	E	H	H ₁	L	Z	g	FKM Code
20	15	16	54	171	65	41	89	1825	VKDBFEL020F
25	20	16	65	204	70	52	100	1963	VKDBFEL025F
32	25	16	73	220	78	55	110	2123	VKDBFEL032F
40	32	16	86	238	88	56	126	2491	VKDBFEL040F
50	40	16	98	254	93	58	138	2826	VKDBFEL050F
63	50	*10	122	286	111	66	154	3611	VKDBFEL063F

* PN 16 upon request

DIMENSIONS

VKD/CE DN 10÷50 PVDF

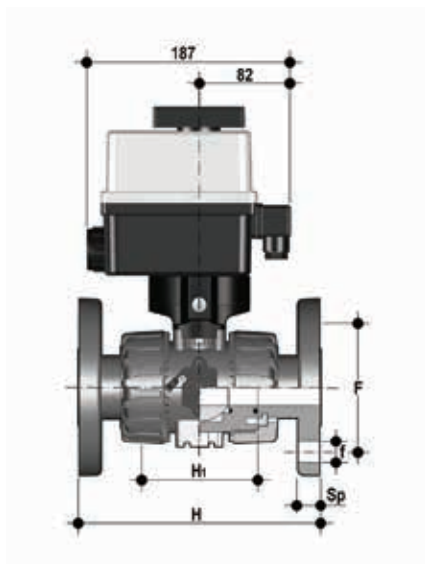


VKDOF/CE 90-240 V AC

DUAL BLOCK® Ball Valve with fixed flanges, drilled EN/ISO/DIN PN 10/16, face to face dimensions as per EN 558-1 with multi-volt electric actuator 90-240 V AC 50-60 Hz

d	DN	PN	H	H ₁	F	f	U	Sp	g	FKM Code
20	15	16	130	65	65	14	4	11	1825	VKDOFEM020F
25	20	16	150	70	75	14	4	14	1963	VKDOFEM025F
32	25	16	160	78	85	14	4	14	2123	VKDOFEM032F
40	32	16	180	88	100	18	4	14	2491	VKDOFEM040F
50	40	16	200	93	110	18	4	16	2826	VKDOFEM050F
63	50	*10	230	111	125	18	4	16	3611	VKDOFEM063F

* PN 16 upon request



VKDOF/CE 24 V AC/DC

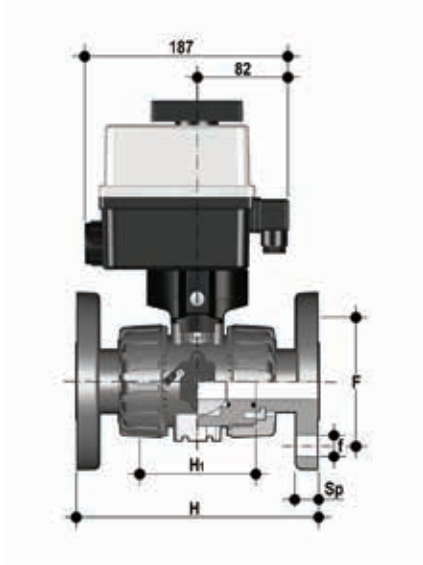
DUAL BLOCK® Ball Valve with fixed flanges, drilled EN/ISO/DIN PN 10/16, face to face dimensions as per EN 558-1 with electric actuator 24 V AC/DC

d	DN	PN	H	H ₁	F	f	U	Sp	g	FKM Code
20	15	16	130	65	65	14	4	11	1825	VKDOFEL020F
25	20	16	150	70	75	14	4	14	1963	VKDOFEL025F
32	25	16	160	78	85	14	4	14	2123	VKDOFEL032F
40	32	16	180	88	100	18	4	14	2491	VKDOFEL040F
50	40	16	200	93	110	18	4	16	2826	VKDOFEL050F
63	50	*10	230	111	125	18	4	16	3611	VKDOFEL063F

* PN 16 upon request

DIMENSIONS

VKD/CE DN 10÷50 PVDF

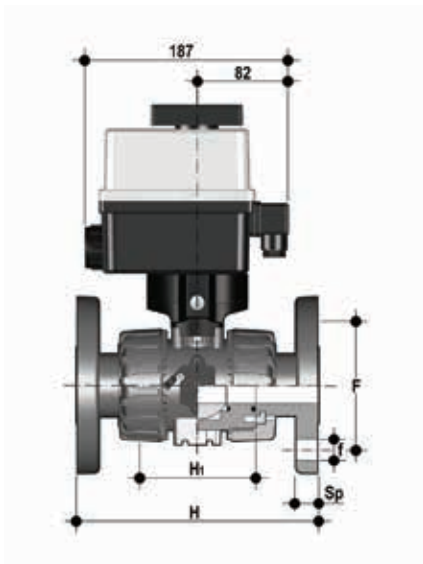


VKDOAF/CE 90-240 V AC

DUAL BLOCK® ball valve with fixed flanges, drilled ANSI B16.5 cl.150#FF with multi-volt electric actuator 90-240 V AC 50-60 Hz

d	DN	PN	H	H ₁	F	f	U	Sp	g	FKM Code
1/2"	15	16	143	65	60.3	15.9	4	11	1825	VKDOAFEM012F
3/4"	20	16	172	70	69.9	15.9	4	14	1963	VKDOAFEM034F
1"	25	16	187	78	79.4	15.9	4	14	2123	VKDOAFEM100F
1" 1/4	32	16	190	88	88.9	15.9	4	14	2491	VKDOAFEM114F
1" 1/2	40	16	212	93	98.4	15.9	4	16	2826	VKDOAFEM112F
2"	50	*10	234	111	120.7	19.1	4	16	3611	VKDOAFEM200F

* PN 16 upon request



VKDOAF/CE 24 V AC/DC

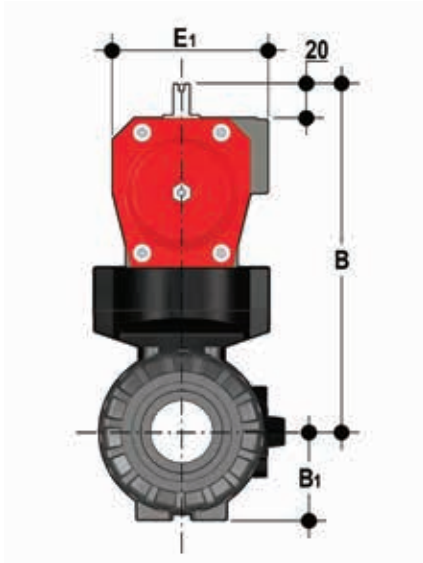
DUAL BLOCK® ball valve with fixed flanges drilled ANSI B16.5 cl.150#FF with electric actuator 24 V AC/DC

d	DN	PN	H	H ₁	F	f	U	Sp	g	FKM Code
1/2"	15	16	143	65	60.3	15.9	4	11	1825	VKDOAFEL012F
3/4"	20	16	172	70	69.9	15.9	4	14	1963	VKDOAFEL034F
1"	25	16	187	78	79.4	15.9	4	14	2123	VKDOAFEL100F
1" 1/4	32	16	190	88	88.9	15.9	4	14	2491	VKDOAFEL114F
1" 1/2	40	16	212	93	98.4	15.9	4	16	2826	VKDOAFEL112F
2"	50	*10	234	111	120.7	19.1	4	16	3611	VKDOAFEL200F

* PN 16 upon request

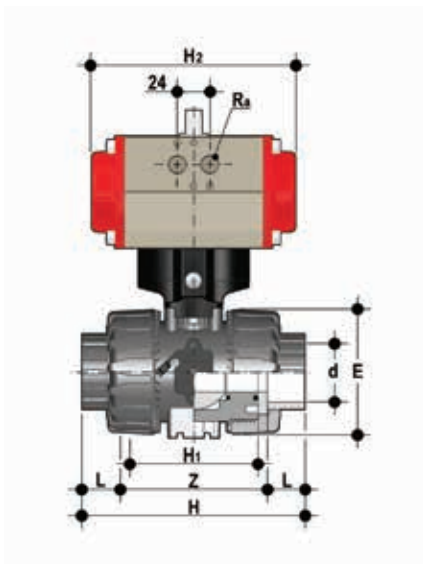
DIMENSIONS

VKD/CP DN 10÷50 PVC-U



Dimensions common to all versions

DN	B	B ₁	E ₁
10	135	29	60.5
15	135	29	60.5
20	156.5	34.5	75
25	161	39	75
32	194	46	86
40	200	52	86
50	217	52	86



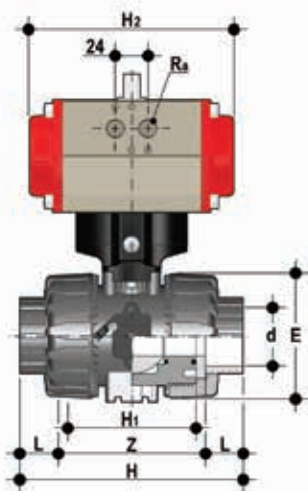
VKDIV/CP DA

DUAL BLOCK® ball valve with female ends for solvent welding, metric series with pneumatic actuator, Double-Acting function

d	DN	PN	E	H	H ₁	L	Z	H ₂	R _a	g	EPDM Code	FKM Code
16	10	16	54	103	65	14	75	160	G1/8"	1155	VKDIVDA016E	VKDIVDA016F
20	15	16	54	103	65	16	71	160	G1/8"	1145	VKDIVDA020E	VKDIVDA020F
25	20	16	65	115	70	19	77	138	G1/8"	1473	VKDIVDA025E	VKDIVDA025F
32	25	16	73	128	78	22	84	138	G1/8"	1581	VKDIVDA032E	VKDIVDA032F
40	32	16	86	146	88	26	94	155.5	G1/4"	2469	VKDIVDA040E	VKDIVDA040F
50	40	16	98	164	93	31	102	155.5	G1/4"	2701	VKDIVDA050E	VKDIVDA050F
63	50	16	122	199	111	38	123	155.5	G1/4"	3318	VKDIVDA063E	VKDIVDA063F

DIMENSIONS

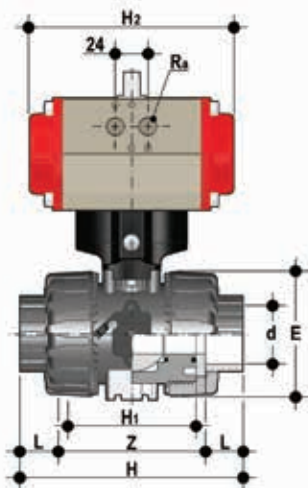
VKD/CP DN 10÷50 PVC-U



VKDIV/CP NC

DUAL BLOCK® ball valve with female ends for solvent welding, metric series with pneumatic actuator, Normally Closed function

d	DN	PN	E	H	H ₁	L	Z	H ₂	R _a	g	EPDM Code	FKM Code
16	10	16	54	103	65	14	75	160	G1/8"	1215	VKDIVNC016E	VKDIVNC016F
20	15	16	54	103	65	16	71	160	G1/8"	1205	VKDIVNC020E	VKDIVNC020F
25	20	16	65	115	70	19	77	138	G1/8"	1583	VKDIVNC025E	VKDIVNC025F
32	25	16	73	128	78	22	84	138	G1/8"	1691	VKDIVNC032E	VKDIVNC032F
40	32	16	86	146	88	26	94	155.5	G1/4"	2669	VKDIVNC040E	VKDIVNC040F
50	40	16	98	164	93	31	102	155.5	G1/4"	2901	VKDIVNC050E	VKDIVNC050F
63	50	16	122	199	111	38	123	155.5	G1/4"	3518	VKDIVNC063E	VKDIVNC063F



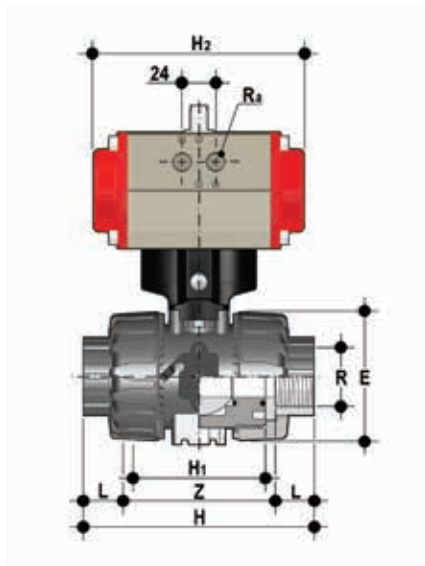
VKDIV/CP NO

DUAL BLOCK® ball valve with female ends for solvent welding, metric series with pneumatic actuator, Normally Open function

d	DN	PN	E	H	H ₁	L	Z	H ₂	R _a	g	EPDM Code	FKM Code
16	10	16	54	103	65	14	75	160	G1/8"	1215	VKDIVNO016E	VKDIVNO016F
20	15	16	54	103	65	16	71	160	G1/8"	1205	VKDIVNO020E	VKDIVNO020F
25	20	16	65	115	70	19	77	138	G1/8"	1583	VKDIVNO025E	VKDIVNO025F
32	25	16	73	128	78	22	84	138	G1/8"	1691	VKDIVNO032E	VKDIVNO032F
40	32	16	86	146	88	26	94	155.5	G1/4"	2669	VKDIVNO040E	VKDIVNO040F
50	40	16	98	164	93	31	102	155.5	G1/4"	2901	VKDIVNO050E	VKDIVNO050F
63	50	16	122	199	111	38	123	155.5	G1/4"	3518	VKDIVNO063E	VKDIVNO063F

DIMENSIONS

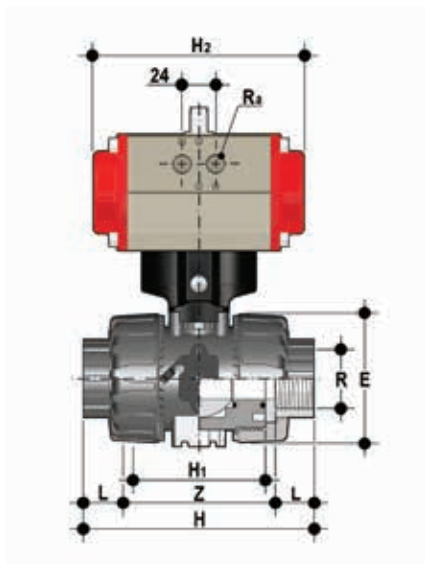
VKD/CP DN 10÷50 PVC-U



VKDFV/CP DA

DUAL BLOCK® ball valve with gas cylinder thread female ends with pneumatic actuator, Double-Acting function

R	DN	PN	E	H	H ₁	L	Z	H ₂	R _a	g	EPDM Code	FKM Code
3/8"	10	16	54	103	65	12	80	160	G1/8"	1155	VKDFVDA038E	VKDFVDA038F
1/2"	15	16	54	110	65	15	80	160	G1/8"	1145	VKDFVDA012E	VKDFVDA012F
3/4"	20	16	65	116	70	16	83	138	G1/8"	1473	VKDFVDA034E	VKDFVDA034F
1"	25	16	73	134	78	19	96	138	G1/8"	1581	VKDFVDA100E	VKDFVDA100F
1" 1/4	32	16	86	153	88	21	110	155.5	G1/4"	2469	VKDFVDA114E	VKDFVDA114F
1" 1/2	40	16	98	156	93	21	113	155.5	G1/4"	2701	VKDFVDA112E	VKDFVDA112F
2"	50	16	122	186	111	26	135	155.5	G1/4"	3318	VKDFVDA200E	VKDFVDA200F



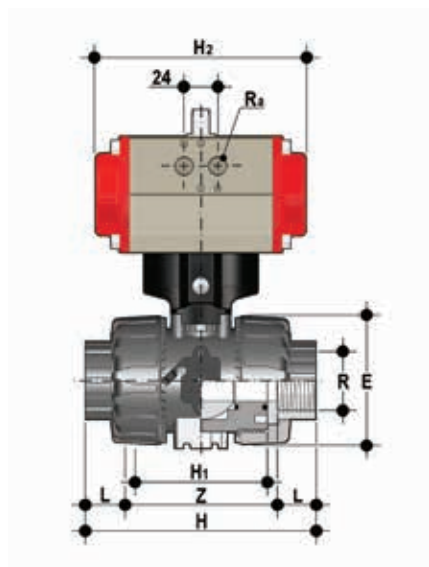
VKDFV/CP NC

DUAL BLOCK® ball valve with gas cylinder thread female ends with pneumatic actuator, Normally Closed function

R	DN	PN	E	H	H ₁	L	Z	H ₂	R _a	g	EPDM Code	FKM Code
3/8"	10	16	54	103	65	14	75	160	G1/8"	1215	VKDFVNC038E	VKDFVNC038F
1/2"	15	16	54	103	65	16	71	160	G1/8"	1205	VKDFVNC012E	VKDFVNC012F
3/4"	20	16	65	115	70	19	77	138	G1/8"	1583	VKDFVNC034E	VKDFVNC034F
1"	25	16	73	128	78	22	84	138	G1/8"	1691	VKDFVNC100E	VKDFVNC100F
1" 1/4	32	16	86	146	88	26	94	155.5	G1/4"	2669	VKDFVNC114E	VKDFVNC114F
1" 1/2	40	16	98	164	93	31	102	155.5	G1/4"	2901	VKDFVNC112E	VKDFVNC112F
2"	50	16	122	199	111	38	123	155.5	G1/4"	3518	VKDFVNC200E	VKDFVNC200F

DIMENSIONS

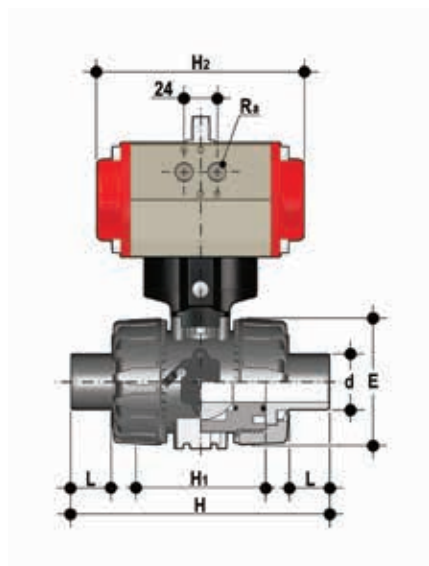
VKD/CP DN 10÷50 PVC-U



VKDFV/CP NO

DUAL BLOCK® ball valve with gas cylinder thread female ends with pneumatic actuator, Normally Open function

R	DN	PN	E	H	H ₁	L	Z	H ₂	R ₂	g	EPDM Code	FKM Code
3/8"	10	16	54	103	65	14	75	160	G1/8"	1215	VKDFVNO038E	VKDFVNO038F
1/2"	15	16	54	103	65	16	71	160	G1/8"	1205	VKDFVNO012E	VKDFVNO012F
3/4"	20	16	65	115	70	19	77	138	G1/8"	1583	VKDFVNO034E	VKDFVNO034F
1"	25	16	73	128	78	22	84	138	G1/8"	1691	VKDFVNO100E	VKDFVNO100F
1" 1/4	32	16	86	146	88	26	94	155.5	G1/4"	2669	VKDFVNO114E	VKDFVNO114F
1" 1/2	40	16	98	164	93	31	102	155.5	G1/4"	2901	VKDFVNO112E	VKDFVNO112F
2"	50	16	122	199	111	38	123	155.5	G1/4"	3518	VKDFVNO200E	VKDFVNO200F



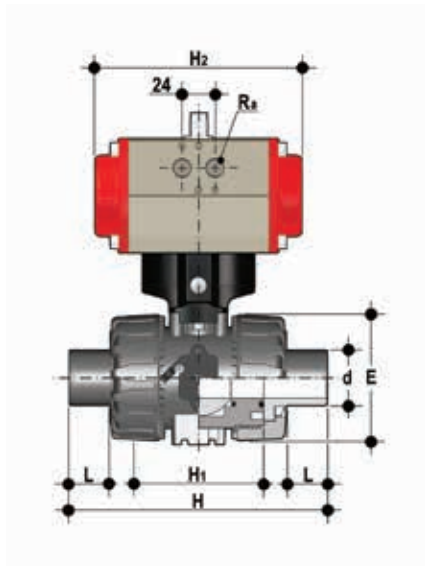
VKDDV/CP DA

DUAL BLOCK® ball valve with male ends for solvent welding, metric series with pneumatic actuator, Double-Acting function

d	DN	PN	E	H	H ₁	L	H ₂	R ₂	g	EPDM Code	FKM Code
16	10	16	54	149	65	14	160	G1/8"	1155	VKDDVDA016E	VKDDVDA016F
20	15	16	54	124	65	16	160	G1/8"	1145	VKDDVDA020E	VKDDVDA020F
25	20	16	65	144	70	19	138	G1/8"	1473	VKDDVDA025E	VKDDVDA025F
32	25	16	73	154	78	22	138	G1/8"	1581	VKDDVDA032E	VKDDVDA032F
40	32	16	86	174	88	26	155.5	G1/4"	2469	VKDDVDA040E	VKDDVDA040F
50	40	16	98	194	93	31	155.5	G1/4"	2701	VKDDVDA050E	VKDDVDA050F
63	50	16	122	224	111	38	155.5	G1/4"	3318	VKDDVDA063E	VKDDVDA063F

DIMENSIONS

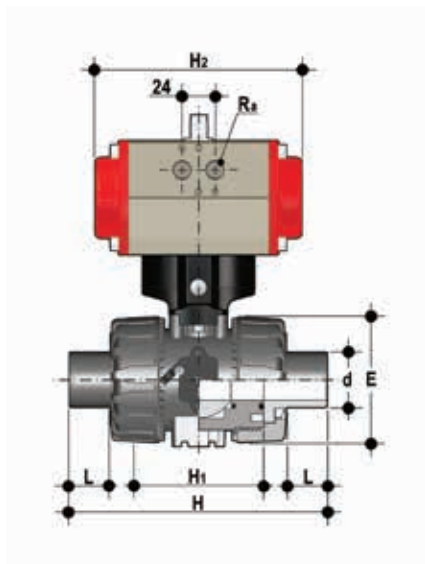
VKD/CP DN 10÷50 PVC-U



VKDDV/CP NC

DUAL BLOCK® ball valve with male ends for solvent welding, metric series with pneumatic actuator, Normally Closed function

d	DN	PN	E	H	H ₁	L	H ₂	R ₂	g	EPDM Code	FKM Code
16	10	16	54	149	65	14	160	G1/8"	1215	VKDDVNC016E	VKDDVNC016F
20	15	16	54	124	65	16	160	G1/8"	1205	VKDDVNC020E	VKDDVNC020F
25	20	16	65	144	70	19	138	G1/8"	1583	VKDDVNC025E	VKDDVNC025F
32	25	16	73	154	78	22	138	G1/8"	1691	VKDDVNC032E	VKDDVNC032F
40	32	16	86	174	88	26	155.5	G1/4"	2669	VKDDVNC040E	VKDDVNC040F
50	40	16	98	194	93	31	155.5	G1/4"	2901	VKDDVNC050E	VKDDVNC050F
63	50	16	122	224	111	38	155.5	G1/4"	3518	VKDDVNC063E	VKDDVNC063F



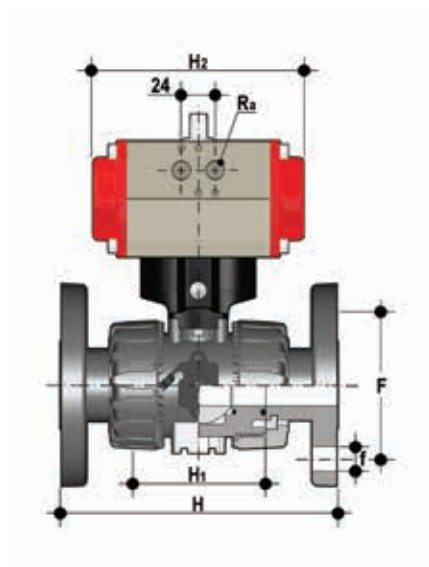
VKDDV/CP NO

DUAL BLOCK® ball valve with male ends for solvent welding, metric series with pneumatic actuator, Normally Open function

d	DN	PN	E	H	H ₁	L	H ₂	R ₂	g	EPDM Code	FKM Code
16	10	16	54	149	65	14	160	G1/8"	1215	VKDDVNO016E	VKDDVNO016F
20	15	16	54	124	65	16	160	G1/8"	1205	VKDDVNO020E	VKDDVNO020F
25	20	16	65	144	70	19	138	G1/8"	1583	VKDDVNO025E	VKDDVNO025F
32	25	16	73	154	78	22	138	G1/8"	1691	VKDDVNO032E	VKDDVNO032F
40	32	16	86	174	88	26	155.5	G1/4"	2669	VKDDVNO040E	VKDDVNO040F
50	40	16	98	194	93	31	155.5	G1/4"	2901	VKDDVNO050E	VKDDVNO050F
63	50	16	122	224	111	38	155.5	G1/4"	3518	VKDDVNO063E	VKDDVNO063F

DIMENSIONS

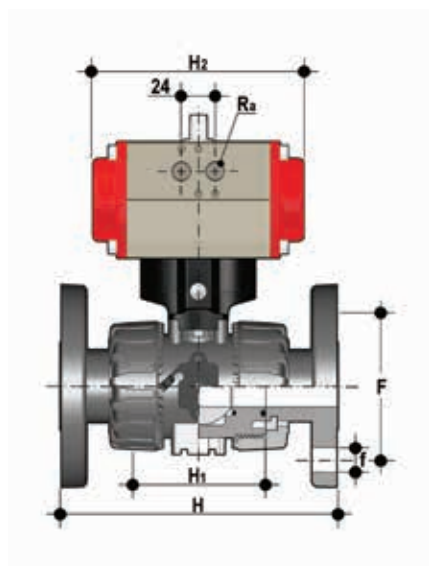
VKD/CP DN 10÷50 PVC-U



VKDOV/CP DA

DUAL BLOCK® Ball Valve with fixed flanges EN/ISO/DIN PN 10/16, face to face dimensions as per EN 558-1 with pneumatic actuator, Double-Acting function

d	DN	PN	H	H ₁	F	f	U	Sp	H ₂	R _s	g	EPDM Code	FKM Code
20	15	16	130	65	65	14	4	11	160	G1/8"	1145	VKDOVDA020E	VKDOVDA020F
25	20	16	150	70	75	14	4	14	138	G1/8"	1473	VKDOVDA025E	VKDOVDA025F
32	25	16	160	78	85	14	4	14	138	G1/8"	1581	VKDOVDA032E	VKDOVDA032F
40	32	16	180	88	100	18	4	14	155.5	G1/4"	2469	VKDOVDA040E	VKDOVDA040F
50	40	16	200	93	110	18	4	16	155.5	G1/4"	2701	VKDOVDA050E	VKDOVDA050F
63	50	16	230	111	125	18	4	16	155.5	G1/4"	3318	VKDOVDA063E	VKDOVDA063F



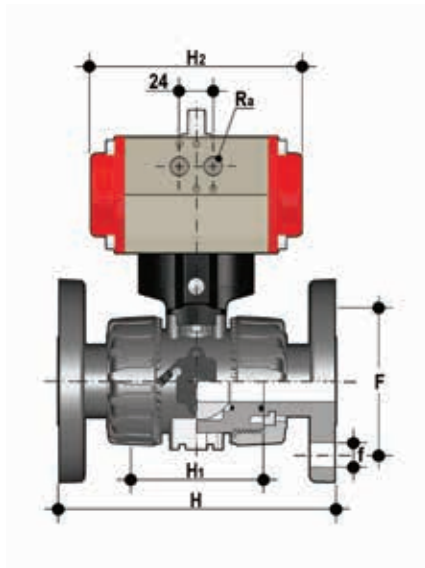
VKDOV/CP NC

DUAL BLOCK® Ball Valve with fixed flanges EN/ISO/DIN PN 10/16, face to face dimensions as per EN 558-1 with pneumatic actuator, Normally Closed function

d	DN	PN	H	H ₁	F	f	U	Sp	H ₂	R _s	g	EPDM Code	FKM Code
20	15	16	130	65	65	14	4	11	160	G1/8"	1205	VKDOVNC020E	VKDOVNC020F
25	20	16	150	70	75	14	4	14	138	G1/8"	1583	VKDOVNC025E	VKDOVNC025F
32	25	16	160	78	85	14	4	14	138	G1/8"	1691	VKDOVNC032E	VKDOVNC032F
40	32	16	180	88	100	18	4	14	155.5	G1/4"	2669	VKDOVNC040E	VKDOVNC040F
50	40	16	200	93	110	18	4	16	155.5	G1/4"	2901	VKDOVNC050E	VKDOVNC050F
63	50	16	230	111	125	18	4	16	155.5	G1/4"	3518	VKDOVNC063E	VKDOVNC063F

DIMENSIONS

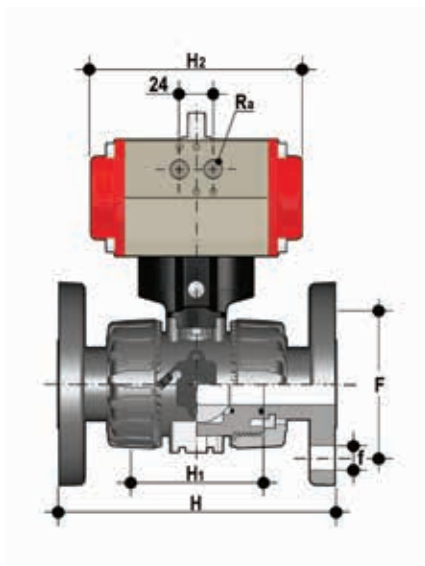
VKD/CP DN 10÷50 PVC-U



VKDOV/CP NO

DUAL BLOCK® Ball Valve with fixed flanges EN/ISO/DIN PN 10/16, face to face dimensions as per EN 558-1 with pneumatic actuator, Normally Open function

d	DN	PN	H	H ₁	F	f	U	Sp	H ₂	R _s	g	EPDM Code	FKM Code
20	15	16	130	65	65	14	4	11	160	G1/8"	1205	VKDOVNO020E	VKDOVNO020F
25	20	16	150	70	75	14	4	14	138	G1/8"	1583	VKDOVNO025E	VKDOVNO025F
32	25	16	160	78	85	14	4	14	138	G1/8"	1691	VKDOVNO032E	VKDOVNO032F
40	32	16	180	88	100	18	4	14	155.5	G1/4"	2669	VKDOVNO040E	VKDOVNO040F
50	40	16	200	93	110	18	4	16	155.5	G1/4"	2901	VKDOVNO050E	VKDOVNO050F
63	50	16	230	111	125	18	4	16	155.5	G1/4"	3518	VKDOVNO063E	VKDOVNO063F



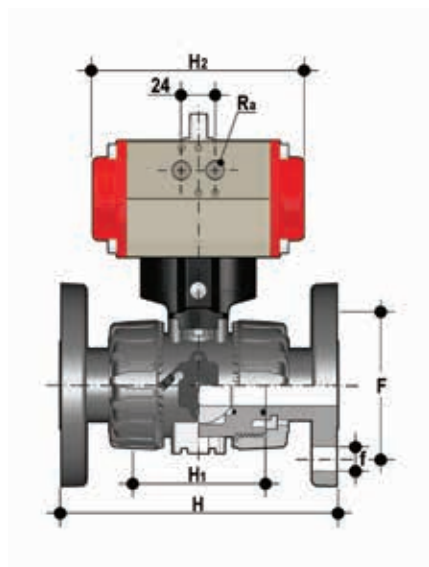
VKDOAV/CP DA

DUAL BLOCK® ball valve with fixed flanges drilled ANSI B16.5 cl.150#FF with pneumatic actuator, Double-Acting function

d	DN	PN	H	H ₁	F	f	U	Sp	H ₂	R _s	g	EPDM Code	FKM Code
1/2"	15	16	143	65	60.3	15.9	4	11	160	G1/8"	1145	VKDOAVDA012E	VKDOAVDA012F
3/4"	20	16	172	70	69.9	15.9	4	14	138	G1/8"	1473	VKDOAVDA034E	VKDOAVDA034F
1"	25	16	187	78	79.4	15.9	4	14	138	G1/8"	1581	VKDOAVDA100E	VKDOAVDA100F
1" 1/4	32	16	190	88	88.9	15.9	4	14	155.5	G1/4"	2469	VKDOAVDA114E	VKDOAVDA114F
1" 1/2	40	16	212	93	98.4	15.9	4	16	155.5	G1/4"	2701	VKDOAVDA112E	VKDOAVDA112F
2"	50	16	234	111	120.7	19.1	4	16	155.5	G1/4"	3318	VKDOAVDA200E	VKDOAVDA200F

DIMENSIONS

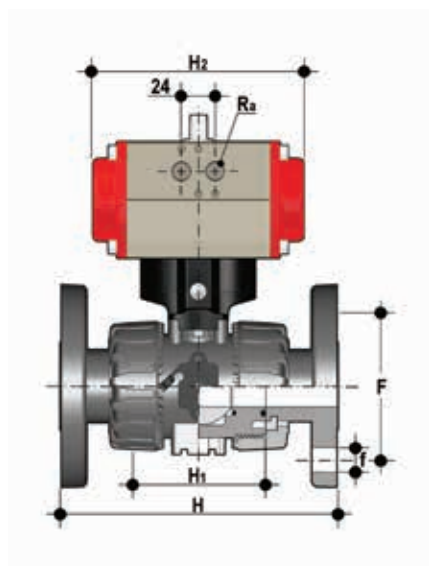
VKD/CP DN 10÷50 PVC-U



VKDOAV/CP NC

DUAL BLOCK® ball valve with fixed flanges drilled ANSI B16.5 cl.150#FF with pneumatic actuator, Normally Closed function

d	DN	PN	H	H ₁	F	f	U	Sp	H ₂	R _a	g	EPDM Code	FKM Code
1/2"	15	16	143	65	60.3	15.9	4	11	160	G1/8"	1205	VKDOAVNC012E	VKDOAVNC012F
3/4"	20	16	172	70	69.9	15.9	4	14	138	G1/8"	1583	VKDOAVNC034E	VKDOAVNC034F
1"	25	16	187	78	79.4	15.9	4	14	138	G1/8"	1691	VKDOAVNC100E	VKDOAVNC100F
1" 1/4	32	16	190	88	88.9	15.9	4	14	155.5	G1/4"	2669	VKDOAVNC114E	VKDOAVNC114F
1" 1/2	40	16	212	93	98.4	15.9	4	16	155.5	G1/4"	2901	VKDOAVNC112E	VKDOAVNC112F
2"	50	16	234	111	120.7	19.1	4	16	155.5	G1/4"	3518	VKDOAVNC200E	VKDOAVNC200F



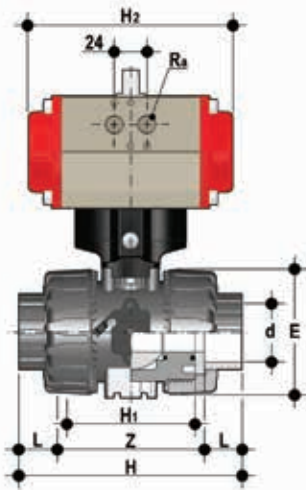
VKDOAV/CP NO

DUAL BLOCK® ball valve with fixed flanges drilled ANSI B16.5 cl.150#FF with pneumatic actuator, Normally Open function

d	DN	PN	H	H ₁	F	f	U	Sp	H ₂	R _a	g	EPDM Code	FKM Code
1/2"	15	16	143	65	60.3	15.9	4	11	160	G1/8"	1205	VKDOAVNO012E	VKDOAVNO012F
3/4"	20	16	172	70	69.9	15.9	4	14	138	G1/8"	1583	VKDOAVNO034E	VKDOAVNO034F
1"	25	16	187	78	79.4	15.9	4	14	138	G1/8"	1691	VKDOAVNO100E	VKDOAVNO100F
1" 1/4	32	16	190	88	88.9	15.9	4	14	155.5	G1/4"	2669	VKDOAVNO114E	VKDOAVNO114F
1" 1/2	40	16	212	93	98.4	15.9	4	16	155.5	G1/4"	2901	VKDOAVNO112E	VKDOAVNO112F
2"	50	16	234	111	120.7	19.1	4	16	155.5	G1/4"	3518	VKDOAVNO200E	VKDOAVNO200F

DIMENSIONS

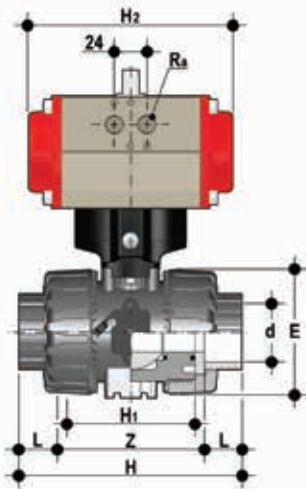
VKD/CP DN 10÷50 PVC-U



VKDLV/CP DA

Two way DUAL BLOCK® ball valve with female ends for solvent welding, BS series with pneumatic actuator, Double-Acting function

R	DN	PN	E	H	H ₁	L	Z	H ₂	R _a	g	EPDM Code	FKM Code
3/8"	10	16	54	103	65	14.5	74	160	G1/8"	1155	VKDLVDA038E	VKDLVDA038F
1/2"	15	16	54	110	65	16.5	70	160	G1/8"	1145	VKDLVDA012E	VKDLVDA012F
3/4"	20	16	65	116	70	19	77	138	G1/8"	1473	VKDLVDA034E	VKDLVDA034F
1"	25	16	73	134	78	22.5	83	138	G1/8"	1581	VKDLVDA100E	VKDLVDA100F
1" 1/4	32	16	86	153	88	26	94	155.5	G1/4"	2469	VKDLVDA114E	VKDLVDA114F
1" 1/2	40	16	98	156	93	30	104	155.5	G1/4"	2701	VKDLVDA112E	VKDLVDA112F
2"	50	16	122	186	111	36	127	155.5	G1/4"	3318	VKDLVDA200E	VKDLVDA200F



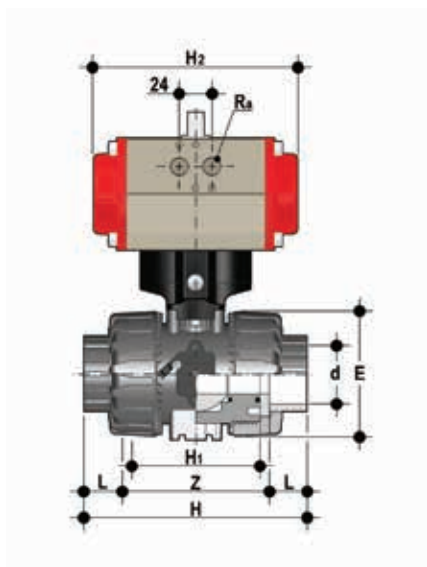
VKDLV/CP NC

Two way DUAL BLOCK® ball valve with female ends for solvent welding, BS series with pneumatic actuator, Normally Closed function

R	DN	PN	E	H	H ₁	L	Z	H ₂	R _a	g	EPDM Code	FKM Code
3/8"	10	16	54	103	65	14.5	74	160	G1/8"	1215	VKDLVNC038E	VKDLVNC038F
1/2"	15	16	54	110	65	16.5	70	160	G1/8"	1205	VKDLVNC012E	VKDLVNC012F
3/4"	20	16	65	116	70	19	77	138	G1/8"	1583	VKDLVNC034E	VKDLVNC034F
1"	25	16	73	134	78	22.5	83	138	G1/8"	1691	VKDLVNC100E	VKDLVNC100F
1" 1/4	32	16	86	153	88	26	94	155.5	G1/4"	2669	VKDLVNC114E	VKDLVNC114F
1" 1/2	40	16	98	156	93	30	104	155.5	G1/4"	2901	VKDLVNC112E	VKDLVNC112F
2"	50	16	122	186	111	36	127	155.5	G1/4"	3518	VKDLVNC200E	VKDLVNC200F

DIMENSIONS

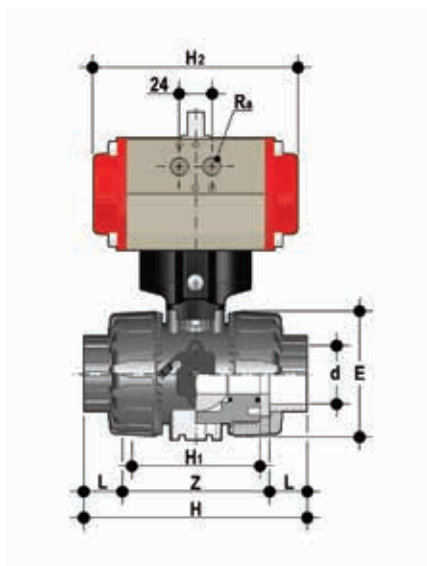
VKD/CP DN 10÷50 PVC-U



VKDLV/CP NO

Two way DUAL BLOCK® ball valve with female ends for solvent welding, BS series with pneumatic actuator, Normally Open function

R	DN	PN	E	H	H ₁	L	Z	H ₂	R _a	g	EPDM Code	FKM Code
3/8"	10	16	54	103	65	14.5	74	160	G1/8"	1215	VKDLVNO038E	VKDLVNO038F
1/2"	15	16	54	110	65	16.5	70	160	G1/8"	1205	VKDLVNO012E	VKDLVNO012F
3/4"	20	16	65	116	70	19	77	138	G1/8"	1583	VKDLVNO034E	VKDLVNO034F
1"	25	16	73	134	78	22.5	83	138	G1/8"	1691	VKDLVNO100E	VKDLVNO100F
1" 1/4	32	16	86	153	88	26	94	155.5	G1/4"	2669	VKDLVNO114E	VKDLVNO114F
1" 1/2	40	16	98	156	93	30	104	155.5	G1/4"	2901	VKDLVNO112E	VKDLVNO112F
2"	50	16	122	186	111	36	127	155.5	G1/4"	3518	VKDLVNO200E	VKDLVNO200F



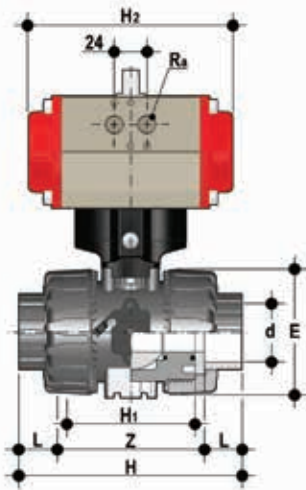
VKDAV/CP DA

Two way DUAL BLOCK® ball valve with female ends for solvent welding, ASTM series with pneumatic actuator, Double-Acting function

d	DN	PN	E	H	H ₁	L	Z	H ₂	R _a	g	EPDM Code	FKM Code
3/8"	10	16	54	117	65	19.5	78	160	G1/8"	1155	VKDAVDA038E	VKDAVDA038F
1/2"	15	16	54	117	65	22.5	72	160	G1/8"	1145	VKDAVDA012E	VKDAVDA012F
3/4"	20	16	65	129	70	25.5	78	138	G1/8"	1473	VKDAVDA034E	VKDAVDA034F
1"	25	16	73	142	78	28.7	84.6	138	G1/8"	1581	VKDAVDA100E	VKDAVDA100F
1" 1/4	32	16	86	162	88	32	98	155.5	G1/4"	2469	VKDAVDA114E	VKDAVDA114F
1" 1/2	40	16	98	172	93	35	102	155.5	G1/4"	2701	VKDAVDA112E	VKDAVDA112F
2"	50	16	122	199	111	38.2	122.6	155.5	G1/4"	3318	VKDAVDA200E	VKDAVDA200F

DIMENSIONS

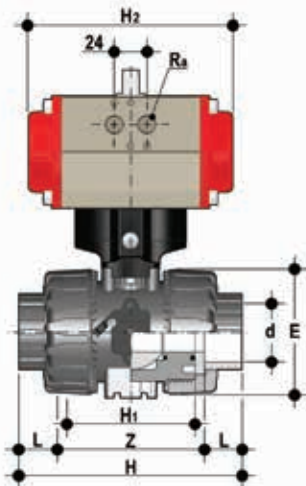
VKD/CP DN 10÷50 PVC-U



VKDAV/CP NC

Two way DUAL BLOCK® ball valve with female ends for solvent welding, ASTM series with pneumatic actuator, Normally Closed function

d	DN	PN	E	H	H ₁	L	Z	H ₂	R _a	g	EPDM Code	FKM Code
3/8"	10	16	54	117	65	19.5	78	160	G1/8"	1215	VKDAVNC038E	VKDAVNC038F
1/2"	15	16	54	117	65	22.5	72	160	G1/8"	1205	VKDAVNC012E	VKDAVNC012F
3/4"	20	16	65	129	70	25.5	78	138	G1/8"	1583	VKDAVNC034E	VKDAVNC034F
1"	25	16	73	142	78	28.7	84.6	138	G1/8"	1691	VKDAVNC100E	VKDAVNC100F
1" 1/4	32	16	86	162	88	32	98	155.5	G1/4"	2669	VKDAVNC114E	VKDAVNC114F
1" 1/2	40	16	98	172	93	35	102	155.5	G1/4"	2901	VKDAVNC112E	VKDAVNC112F
2"	50	16	122	199	111	38.2	122.6	155.5	G1/4"	3518	VKDAVNC200E	VKDAVNC200F



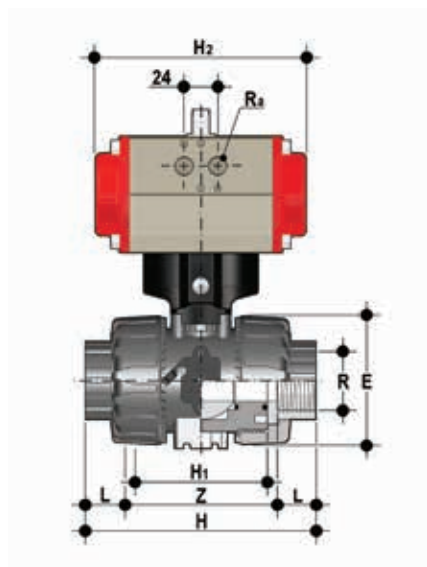
VKDAV/CP NO

Two way DUAL BLOCK® ball valve with female ends for solvent welding, ASTM series with pneumatic actuator, Normally Open function

d	DN	PN	E	H	H ₁	L	Z	H ₂	R _a	g	EPDM Code	FKM Code
3/8"	10	16	54	117	65	19.5	78	160	G1/8"	1215	VKDAVNO038E	VKDAVNO038F
1/2"	15	16	54	117	65	22.5	72	160	G1/8"	1205	VKDAVNO012E	VKDAVNO012F
3/4"	20	16	65	129	70	25.5	78	138	G1/8"	1583	VKDAVNO034E	VKDAVNO034F
1"	25	16	73	142	78	28.7	84.6	138	G1/8"	1691	VKDAVNO100E	VKDAVNO100F
1" 1/4	32	16	86	162	88	32	98	155.5	G1/4"	2669	VKDAVNO114E	VKDAVNO114F
1" 1/2	40	16	98	172	93	35	102	155.5	G1/4"	2901	VKDAVNO112E	VKDAVNO112F
2"	50	16	122	199	111	38.2	122.6	155.5	G1/4"	3518	VKDAVNO200E	VKDAVNO200F

DIMENSIONS

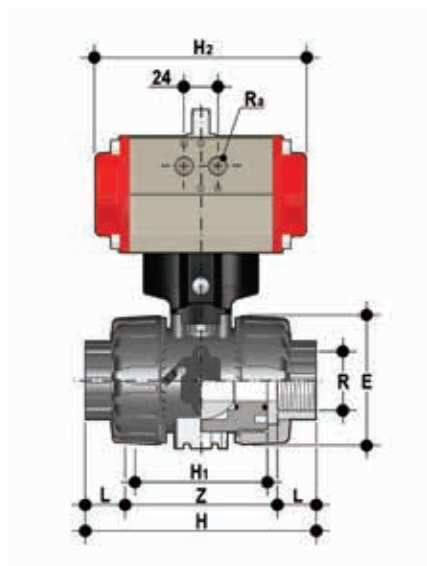
VKD/CP DN 10÷50 PVC-U



VKDNV/CP DA

Two way DUAL BLOCK® ball valve with NPT thread female ends with pneumatic actuator, Double-Acting function

R	DN	PN	E	H	H ₁	L	Z	H ₂	R ₂	g	EPDM Code	FKM Code
3/8"	10	16	54	103	65	13.7	75.6	160	G1/8"	1155	VKDNVDA038E	VKDNVDA038F
1/2"	15	16	54	111	65	17.8	75.4	160	G1/8"	1145	VKDNVDA012E	VKDNVDA012F
3/4"	20	16	65	117	70	18	81	138	G1/8"	1473	VKDNVDA034E	VKDNVDA034F
1"	25	16	73	135	78	22.6	89.8	138	G1/8"	1581	VKDNVDA100E	VKDNVDA100F
1" 1/4	32	16	86	153	88	25.1	102.8	155.5	G1/4"	2469	VKDNVDA114E	VKDNVDA114F
1" 1/2	40	16	98	156	93	24.7	106.6	155.5	G1/4"	2701	VKDNVDA112E	VKDNVDA112F
2"	50	16	122	186	111	29.6	126.8	155.5	G1/4"	3318	VKDNVDA200E	VKDNVDA200F



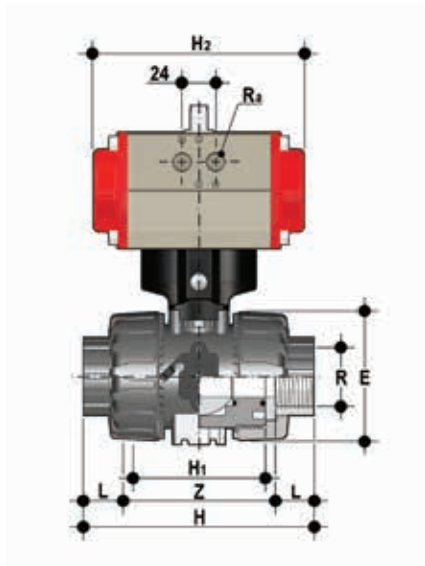
VKDNV/CP NC

Two way DUAL BLOCK® ball valve with NPT thread female ends with pneumatic actuator, Normally Closed function

R	DN	PN	E	H	H ₁	L	Z	H ₂	R ₂	g	EPDM Code	FKM Code
3/8"	10	16	54	103	65	13.7	75.6	160	G1/8"	1215	VKDNVNC038E	VKDNVNC038F
1/2"	15	16	54	111	65	17.8	75.4	160	G1/8"	1205	VKDNVNC012E	VKDNVNC012F
3/4"	20	16	65	117	70	18	81	138	G1/8"	1583	VKDNVNC034E	VKDNVNC034F
1"	25	16	73	135	78	22.6	89.8	138	G1/8"	1691	VKDNVNC100E	VKDNVNC100F
1" 1/4	32	16	86	153	88	25.1	102.8	155.5	G1/4"	2669	VKDNVNC114E	VKDNVNC114F
1" 1/2	40	16	98	156	93	24.7	106.6	155.5	G1/4"	2901	VKDNVNC112E	VKDNVNC112F
2"	50	16	122	186	111	29.6	126.8	155.5	G1/4"	3518	VKDNVNC200E	VKDNVNC200F

DIMENSIONS

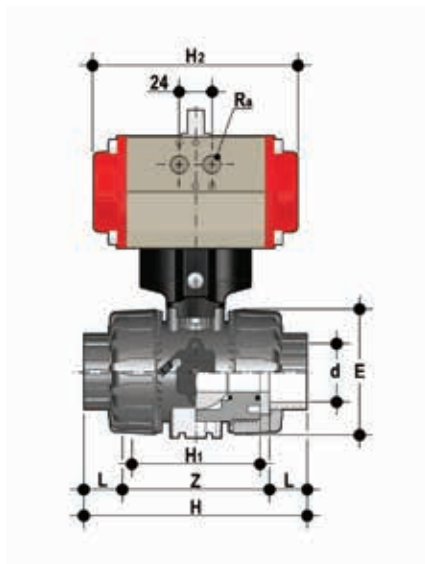
VKD/CP DN 10÷50 PVC-U



VKDNV/CP NO

Two way DUAL BLOCK® ball valve with NPT thread female ends with pneumatic actuator, Normally Open function

R	DN	PN	E	H	H ₁	L	Z	H ₂	R _a	g	EPDM Code	FKM Code
3/8"	10	16	54	103	65	13.7	75.6	160	G1/8"	1215	VKDNVNO038E	VKDNVNO038F
1/2"	15	16	54	111	65	17.8	75.4	160	G1/8"	1205	VKDNVNO012E	VKDNVNO012F
3/4"	20	16	65	117	70	18	81	138	G1/8"	1583	VKDNVNO034E	VKDNVNO034F
1"	25	16	73	135	78	22.6	89.8	138	G1/8"	1691	VKDNVNO100E	VKDNVNO100F
1" 1/4	32	16	86	153	88	25.1	102.8	155.5	G1/4"	2669	VKDNVNO114E	VKDNVNO114F
1" 1/2	40	16	98	156	93	24.7	106.6	155.5	G1/4"	2901	VKDNVNO112E	VKDNVNO112F
2"	50	16	122	186	111	29.6	126.8	155.5	G1/4"	3518	VKDNVNO200E	VKDNVNO200F



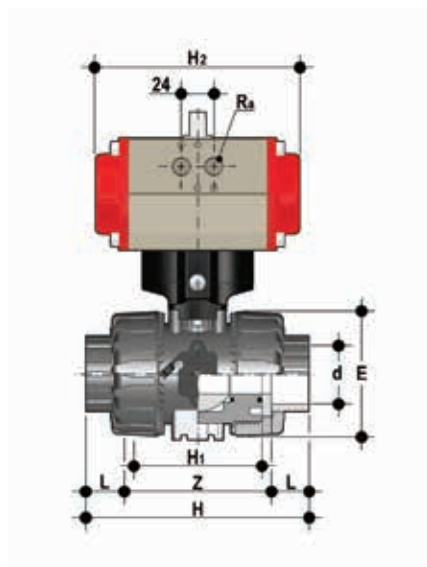
VKDJV/CP DA

Two way DUAL BLOCK® ball valve with female ends for solvent welding, JIS series with pneumatic actuator, Double-Acting function

d	DN	PN	E	H	H ₁	L	Z	H ₂	R _a	g	EPDM Code	FKM Code
1/2"	15	16	54	131	65	30	71	160	G1/8"	1145	VKDJVDA012E	VKDJVDA012F
3/4"	20	16	65	147	70	35	77	138	G1/8"	1473	VKDJVDA034E	VKDJVDA034F
1"	25	16	73	164	78	40	84	138	G1/8"	1581	VKDJVDA100E	VKDJVDA100F
1" 1/4	32	16	86	182	88	44	94	155.5	G1/4"	2469	VKDJVDA114E	VKDJVDA114F
1" 1/2	40	16	98	212	93	55	102	155.5	G1/4"	2701	VKDJVDA112E	VKDJVDA112F
2"	50	16	122	248	111	63	122	155.5	G1/4"	3318	VKDJVDA200E	VKDJVDA200F

DIMENSIONS

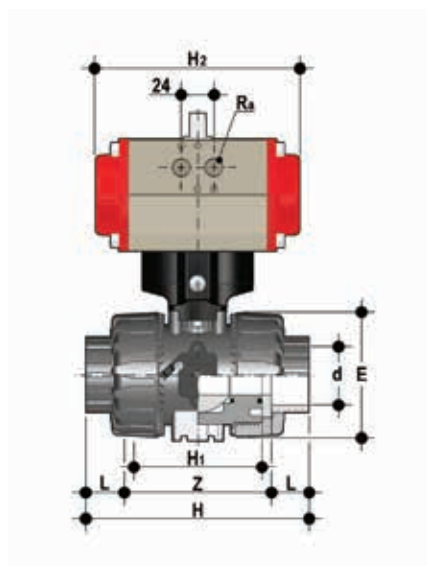
VKD/CP DN 10÷50 PVC-U



VKDJV/CP NC

Two way DUAL BLOCK® ball valve with female ends for solvent welding, JIS series with pneumatic actuator, Normally Closed function

d	DN	PN	E	H	H ₁	L	Z	H ₂	R _a	g	EPDM Code	FKM Code
1/2"	15	16	54	131	65	30	71	160	G1/8"	1205	VKDJVNC012E	VKDJVNC012F
3/4"	20	16	65	147	70	35	77	138	G1/8"	1583	VKDJVNC034E	VKDJVNC034F
1"	25	16	73	164	78	40	84	138	G1/8"	1691	VKDJVNC100E	VKDJVNC100F
1" 1/4	32	16	86	182	88	44	94	155.5	G1/4"	2669	VKDJVNC114E	VKDJVNC114F
1" 1/2	40	16	98	212	93	55	102	155.5	G1/4"	2901	VKDJVNC112E	VKDJVNC112F
2"	50	16	122	248	111	63	122	155.5	G1/4"	3518	VKDJVNC200E	VKDJVNC200F



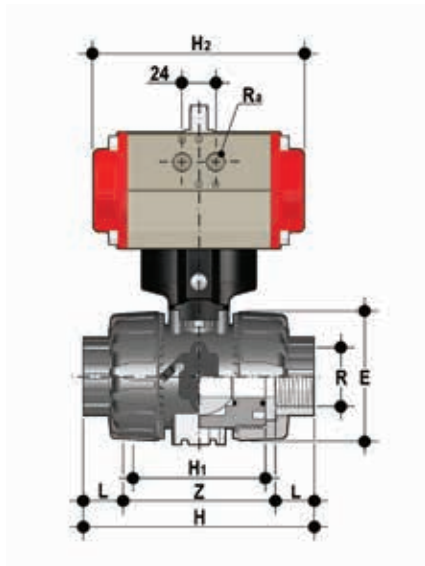
VKDJV/CP NO

Two way DUAL BLOCK® ball valve with female ends for solvent welding, JIS series with pneumatic actuator, Normally Open function

d	DN	PN	H	H ₁	F	f	U	Sp	H ₂	R _a	g	EPDM Code	FKM Code
1/2"	15	16	54	131	65	30	71	160	G1/8"	135	1205	VKDJVNO012E	VKDJVNO012F
3/4"	20	16	65	147	70	35	77	138	G1/8"	156.5	1583	VKDJVNO034E	VKDJVNO034F
1"	25	16	73	164	78	40	84	138	G1/8"	161	1691	VKDJVNO100E	VKDJVNO100F
1" 1/4	32	16	86	182	88	44	94	155.5	G1/4"	194	2669	VKDJVNO114E	VKDJVNO114F
1" 1/2	40	16	98	212	93	55	102	155.5	G1/4"	200	2901	VKDJVNO112E	VKDJVNO112F
2"	50	16	122	248	111	63	122	155.5	G1/4"	217	3518	VKDJVNO200E	VKDJVNO200F

DIMENSIONS

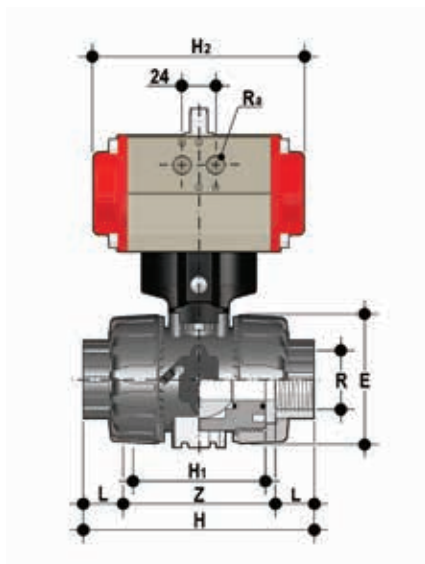
VKD/CP DN 10÷50 PVC-U



VKDGV/CP DA

Two way DUAL BLOCK® ball valve with JIS thread female ends with pneumatic actuator, Double-Acting function

R	DN	PN	E	H	H ₁	L	Z	H ₂	R _a	g	EPDM Code	FKM Code
1/2"	15	16	54	103	65	16	71	160	G1/8"	1145	VKDGVDA012E	VKDGVDA012F
3/4"	20	16	65	115	70	19	77	138	G1/8"	1473	VKDGVDA034E	VKDGVDA034F
1"	25	16	73	128	78	22	84	138	G1/8"	1581	VKDGVDA100E	VKDGVDA100F
1" 1/4	32	16	86	146	88	25	96	155.5	G1/4"	2469	VKDGVDA114E	VKDGVDA114F
1" 1/2	40	16	98	164	93	26	112	155.5	G1/4"	2701	VKDGVDA112E	VKDGVDA112F
2"	50	16	122	199	111	31	137	155.5	G1/4"	3318	VKDGVDA200E	VKDGVDA200F



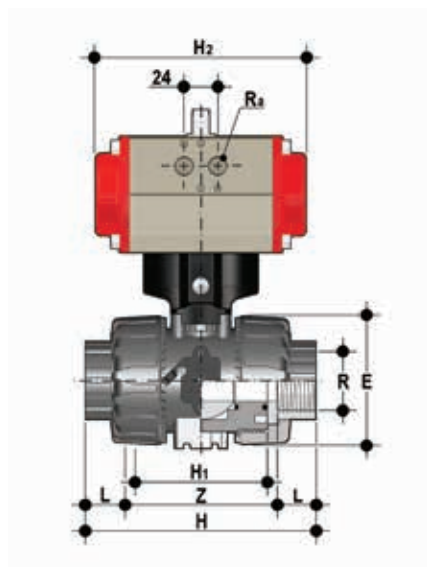
VKDGV/CP NC

Two way DUAL BLOCK® ball valve with JIS thread female ends with pneumatic actuator, Normally Closed function

R	DN	PN	E	H	H ₁	L	Z	H ₂	R _a	g	EPDM Code	FKM Code
1/2"	15	16	54	103	65	16	71	160	G1/8"	1205	VKDGVNC012E	VKDGVNC012F
3/4"	20	16	65	115	70	19	77	138	G1/8"	1583	VKDGVNC034E	VKDGVNC034F
1"	25	16	73	128	78	22	84	138	G1/8"	1691	VKDGVNC100E	VKDGVNC100F
1" 1/4	32	16	86	146	88	25	96	155.5	G1/4"	2669	VKDGVNC114E	VKDGVNC114F
1" 1/2	40	16	98	164	93	26	112	155.5	G1/4"	2901	VKDGVNC112E	VKDGVNC112F
2"	50	16	122	199	111	31	137	155.5	G1/4"	3518	VKDGVNC200E	VKDGVNC200F

DIMENSIONS

VKD/CP DN 10÷50 PVC-U



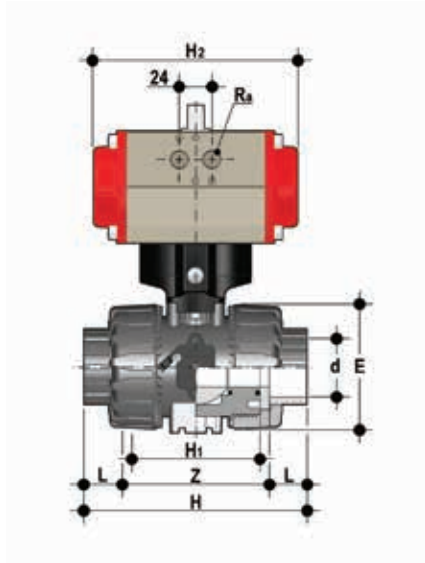
VKDGV/CP NO

Two way DUAL BLOCK® ball valve with JIS thread female ends with pneumatic actuator, Normally Open function

R	DN	PN	E	H	H ₁	L	Z	H ₂	R ₂	g	EPDM Code	FKM Code
1/2"	15	16	54	103	65	16	71	160	G1/8"	1205	VKDGVNO012E	VKDGVNO012F
3/4"	20	16	65	115	70	19	77	138	G1/8"	1583	VKDGVNO034E	VKDGVNO034F
1"	25	16	73	128	78	22	84	138	G1/8"	1691	VKDGVNO100E	VKDGVNO100F
1" 1/4	32	16	86	146	88	25	96	155.5	G1/4"	2669	VKDGVNO114E	VKDGVNO114F
1" 1/2	40	16	98	164	93	26	112	155.5	G1/4"	2901	VKDGVNO112E	VKDGVNO112F
2"	50	16	122	199	111	31	137	155.5	G1/4"	3518	VKDGVNO200E	VKDGVNO200F

DIMENSIONS

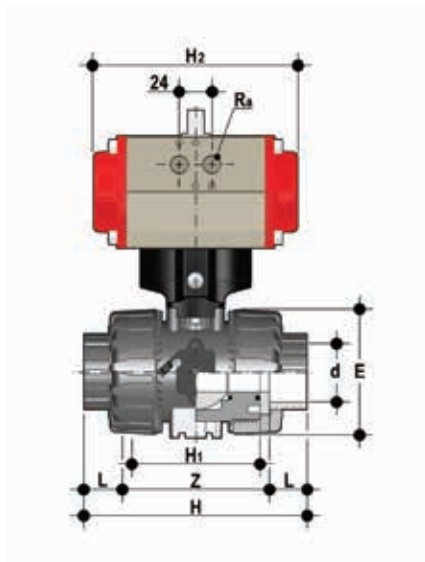
VKD/CP DN 10÷50 PVC-C



VKDIC/CP DA

DUAL BLOCK® ball valve with female ends for solvent welding, metric series with pneumatic actuator, Double-Acting function

d	DN	PN	E	H	H ₁	L	Z	H ₂	R _a	g	EPDM Code	FKM Code
16	10	16	54	103	65	14	75	160	G1/8"	1168	VKDICDA016E	VKDICDA016F
20	15	16	54	103	65	16	71	160	G1/8"	1162	VKDICDA020E	VKDICDA020F
25	20	16	65	115	70	19	77	138	G1/8"	1493	VKDICDA025E	VKDICDA025F
32	25	16	73	128	78	22	84	138	G1/8"	1613	VKDICDA032E	VKDICDA032F
40	32	16	86	146	88	26	94	155.5	G1/4"	2500	VKDICDA040E	VKDICDA040F
50	40	16	98	164	93	31	102	155.5	G1/4"	2788	VKDICDA050E	VKDICDA050F
63	50	16	122	199	111	38	123	155.5	G1/4"	3411	VKDICDA063E	VKDICDA063F



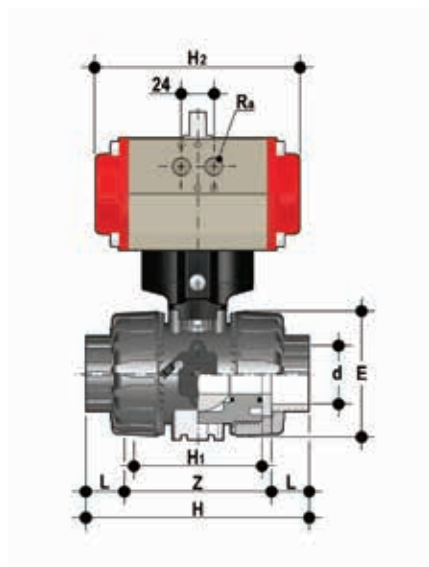
VKDIC/CP NC

DUAL BLOCK® ball valve with female ends for solvent welding, metric series with pneumatic actuator, Normally Closed function

d	DN	PN	E	H	H ₁	L	Z	H ₂	R _a	g	EPDM Code	FKM Code
16	10	16	54	103	65	14	75	160	G1/8"	1228	VKDINC016E	VKDINC016F
20	15	16	54	103	65	16	71	160	G1/8"	1222	VKDINC020E	VKDINC020F
25	20	16	65	115	70	19	77	138	G1/8"	1603	VKDINC025E	VKDINC025F
32	25	16	73	128	78	22	84	138	G1/8"	1723	VKDINC032E	VKDINC032F
40	32	16	86	146	88	26	94	155.5	G1/4"	2700	VKDINC040E	VKDINC040F
50	40	16	98	164	93	31	102	155.5	G1/4"	2988	VKDINC050E	VKDINC050F
63	50	16	122	199	111	38	123	155.5	G1/4"	3611	VKDINC063E	VKDINC063F

DIMENSIONS

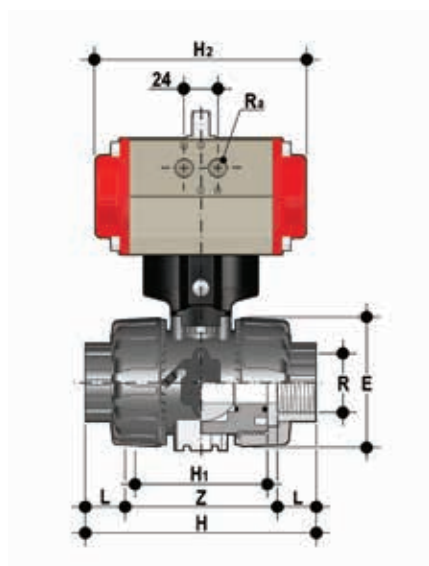
VKD/CP DN 10÷50 PVC-C



VKDIC/CP NO

DUAL BLOCK® ball valve with female ends for solvent welding, metric series with pneumatic actuator, Normally Open function

d	DN	PN	E	H	H ₁	L	Z	H ₂	R _a	g	EPDM Code	FKM Code
16	10	16	54	103	65	14	75	160	G1/8"	1228	VKDICNO016E	VKDICNO016F
20	15	16	54	103	65	16	71	160	G1/8"	1222	VKDICNO020E	VKDICNO020F
25	20	16	65	115	70	19	77	138	G1/8"	1603	VKDICNO025E	VKDICNO025F
32	25	16	73	128	78	22	84	138	G1/8"	1723	VKDICNO032E	VKDICNO032F
40	32	16	86	146	88	26	94	155.5	G1/4"	2700	VKDICNO040E	VKDICNO040F
50	40	16	98	164	93	31	102	155.5	G1/4"	2988	VKDICNO050E	VKDICNO050F
63	50	16	122	199	111	38	123	155.5	G1/4"	3611	VKDICNO063E	VKDICNO063F



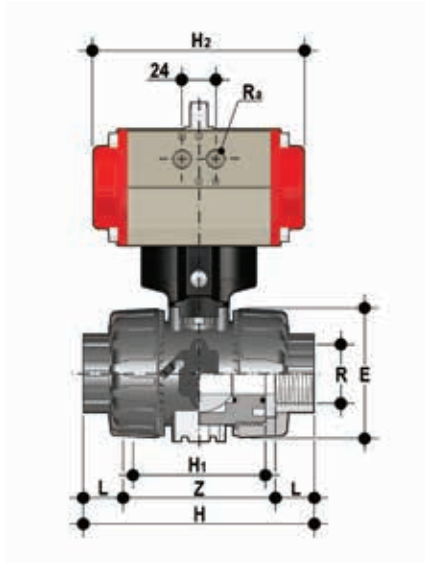
VKDNC/CP DA

Two way DUAL BLOCK® ball valve with NPT thread female ends with pneumatic actuator, Double-Acting function

R	DN	PN	E	H	H ₁	L	Z	H ₂	R _a	g	EPDM Code	FKM Code
3/8"	10	16	54	103	65	13.7	75.6	160	G1/8"	1168	VKDNCDA038E	VKDNCDA038F
1/2"	15	16	54	111	65	17.8	75.4	160	G1/8"	1162	VKDNCDA012E	VKDNCDA012F
3/4"	20	16	65	117	70	18	81	138	G1/8"	1493	VKDNCDA034E	VKDNCDA034F
1"	25	16	73	135	78	22.6	89.8	138	G1/8"	1613	VKDNCDA100E	VKDNCDA100F
1" 1/4	32	16	86	153	88	25.1	102.8	155.5	G1/4"	2500	VKDNCDA114E	VKDNCDA114F
1" 1/2	40	16	98	156	93	24.7	106.6	155.5	G1/4"	2788	VKDNCDA112E	VKDNCDA112F
2"	50	16	122	186	111	29.6	126.8	155.5	G1/4"	3411	VKDNCDA200E	VKDNCDA200F

DIMENSIONS

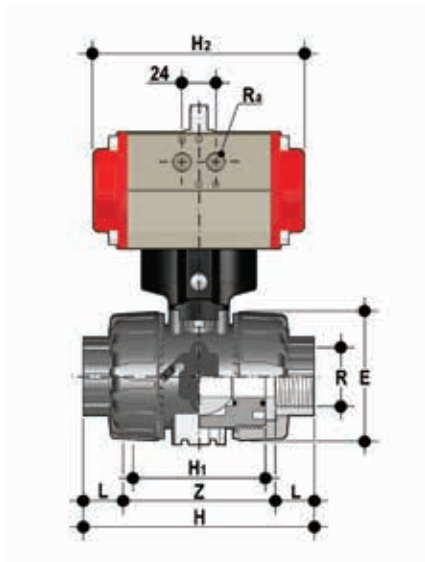
VKD/CP DN 10÷50 PVC-C



VKDNC/CP NC

Two way DUAL BLOCK® ball valve with NPT thread female ends with pneumatic actuator, Normally Closed function

R	DN	PN	E	H	H ₁	L	Z	H ₂	R _a	g	EPDM Code	FKM Code
3/8"	10	16	54	103	65	13.7	75.6	160	G1/8"	1228	VKDNCNC038E	VKDNCNC038F
1/2"	15	16	54	111	65	17.8	75.4	160	G1/8"	1222	VKDNCNC012E	VKDNCNC012F
3/4"	20	16	65	117	70	18	81	138	G1/8"	1603	VKDNCNC034E	VKDNCNC034F
1"	25	16	73	135	78	22.6	89.8	138	G1/8"	1723	VKDNCNC100E	VKDNCNC100F
1" 1/4	32	16	86	153	88	25.1	102.8	155.5	G1/4"	2700	VKDNCNC114E	VKDNCNC114F
1" 1/2	40	16	98	156	93	24.7	106.6	155.5	G1/4"	2988	VKDNCNC112E	VKDNCNC112F
2"	50	16	122	186	111	29.6	126.8	155.5	G1/4"	3611	VKDNCNC200E	VKDNCNC200F



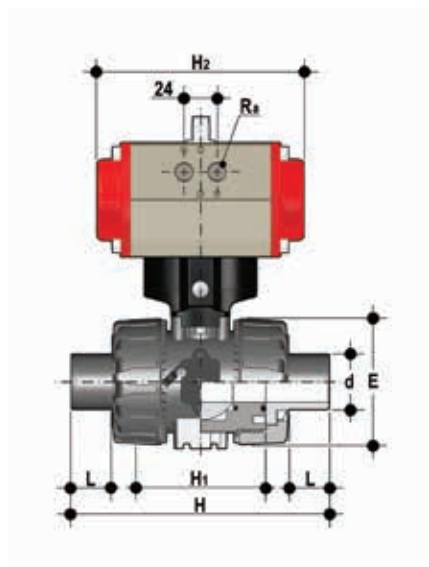
VKDNC/CP NO

Two way DUAL BLOCK® ball valve with NPT thread female ends with pneumatic actuator, Normally Open function

R	DN	PN	E	H	H ₁	L	Z	H ₂	R _a	g	EPDM Code	FKM Code
3/8"	10	16	54	103	65	13.7	75.6	160	G1/8"	1228	VKDNCNO038E	VKDNCNO038F
1/2"	15	16	54	111	65	17.8	75.4	160	G1/8"	1222	VKDNCNO012E	VKDNCNO012F
3/4"	20	16	65	117	70	18	81	138	G1/8"	1603	VKDNCNO034E	VKDNCNO034F
1"	25	16	73	135	78	22.6	89.8	138	G1/8"	1723	VKDNCNO100E	VKDNCNO100F
1" 1/4	32	16	86	153	88	25.1	102.8	155.5	G1/4"	2700	VKDNCNO114E	VKDNCNO114F
1" 1/2	40	16	98	156	93	24.7	106.6	155.5	G1/4"	2988	VKDNCNO112E	VKDNCNO112F
2"	50	16	122	186	111	29.6	126.8	155.5	G1/4"	3611	VKDNCNO200E	VKDNCNO200F

DIMENSIONS

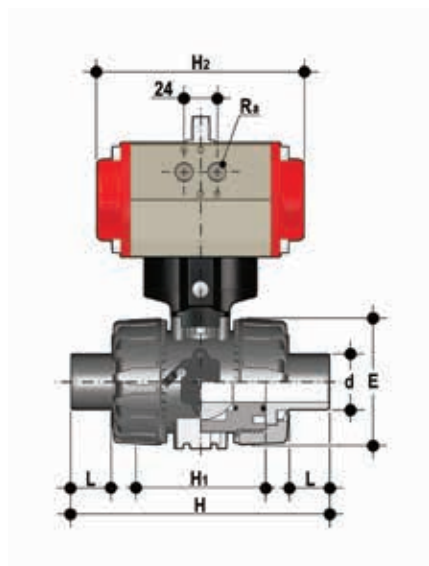
VKD/CP DN 10÷50 PVC-C



VKDDC/CP DA

DUAL BLOCK® ball valve with male ends for solvent welding, metric series with pneumatic actuator, Double-Acting function

d	DN	PN	E	H	H ₁	L	H ₂	R _r	g	EPDM Code	FKM Code
16	10	16	54	149	65	14	160	G1/8"	1168	VKDDCDA016E	VKDDCDA016F
20	15	16	54	124	65	16	160	G1/8"	1162	VKDDCDA020E	VKDDCDA020F
25	20	16	65	144	70	19	138	G1/8"	1493	VKDDCDA025E	VKDDCDA025F
32	25	16	73	154	78	22	138	G1/8"	1613	VKDDCDA032E	VKDDCDA032F
40	32	16	86	174	88	26	155.5	G1/4"	2500	VKDDCDA040E	VKDDCDA040F
50	40	16	98	194	93	31	155.5	G1/4"	2788	VKDDCDA050E	VKDDCDA050F
63	50	16	122	224	111	38	155.5	G1/4"	3411	VKDDCDA063E	VKDDCDA063F



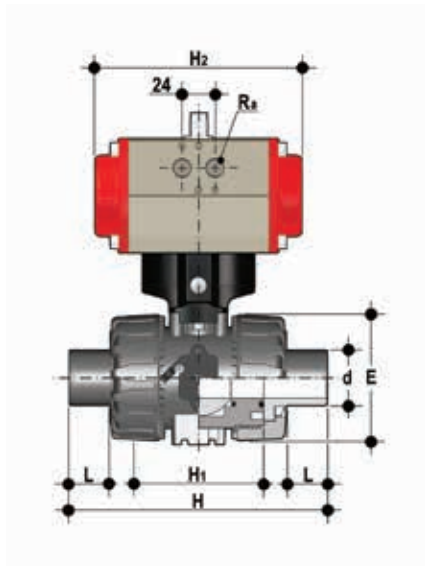
VKDDC/CP NC

DUAL BLOCK® ball valve with male ends for solvent welding, metric series with pneumatic actuator, Normally Closed function

d	DN	PN	E	H	H ₁	L	H ₂	R _r	g	EPDM Code	FKM Code
16	10	16	54	149	65	14	160	G1/8"	1228	VKDDCNC016E	VKDDCNC016F
20	15	16	54	124	65	16	160	G1/8"	1222	VKDDCNC020E	VKDDCNC020F
25	20	16	65	144	70	19	138	G1/8"	1603	VKDDCNC025E	VKDDCNC025F
32	25	16	73	154	78	22	138	G1/8"	1723	VKDDCNC032E	VKDDCNC032F
40	32	16	86	174	88	26	155.5	G1/4"	2700	VKDDCNC040E	VKDDCNC040F
50	40	16	98	194	93	31	155.5	G1/4"	2988	VKDDCNC050E	VKDDCNC050F
63	50	16	122	224	111	38	155.5	G1/4"	3611	VKDDCNC063E	VKDDCNC063F

DIMENSIONS

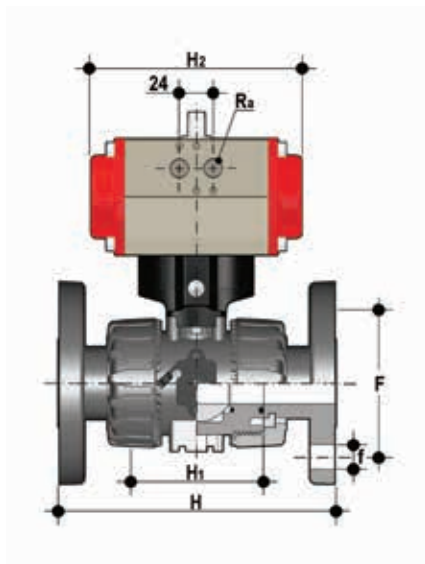
VKD/CP DN 10÷50 PVC-C



VKDDC/CP NO

DUAL BLOCK® ball valve with male ends for solvent welding, metric series with pneumatic actuator, Normally Open function

d	DN	PN	E	H	H ₁	L	H ₂	R _a	g	EPDM Code	FKM Code
16	10	16	54	149	65	14	160	G1/8"	1228	VKDDCNO016E	VKDDCNO016F
20	15	16	54	124	65	16	160	G1/8"	1222	VKDDCNO020E	VKDDCNO020F
25	20	16	65	144	70	19	138	G1/8"	1603	VKDDCNO025E	VKDDCNO025F
32	25	16	73	154	78	22	138	G1/8"	1723	VKDDCNO032E	VKDDCNO032F
40	32	16	86	174	88	26	155.5	G1/4"	2700	VKDDCNO040E	VKDDCNO040F
50	40	16	98	194	93	31	155.5	G1/4"	2988	VKDDCNO050E	VKDDCNO050F
63	50	16	122	224	111	38	155.5	G1/4"	3611	VKDDCNO063E	VKDDCNO063F



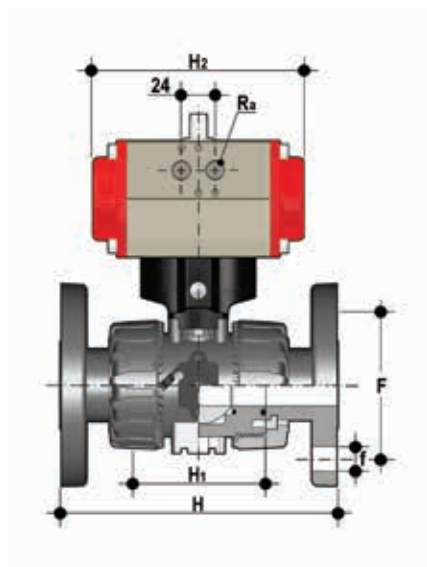
VKDOC/CP DA

DUAL BLOCK® Ball Valve with fixed flanges, drilled EN/ISO/DIN PN 10/16, face to face dimensions as per EN 558-1 with pneumatic actuator, Double-Acting function

d	DN	PN	H	H ₁	F	f	U	Sp	H ₂	R ₂	g	EPDM Code	FKM Code
20	15	16	130	65	65	14	4	11	160	G1/8"	1162	VKDOCDA020E	VKDOCDA020F
25	20	16	150	70	75	14	4	14	138	G1/8"	1493	VKDOCDA025E	VKDOCDA025F
32	25	16	160	78	85	14	4	14	138	G1/8"	1613	VKDOCDA032E	VKDOCDA032F
40	32	16	180	88	100	18	4	14	155.5	G1/4"	2500	VKDOCDA040E	VKDOCDA040F
50	40	16	200	93	110	18	4	16	155.5	G1/4"	2788	VKDOCDA050E	VKDOCDA050F
63	50	16	230	111	125	18	4	16	155.5	G1/4"	3411	VKDOCDA063E	VKDOCDA063F

DIMENSIONS

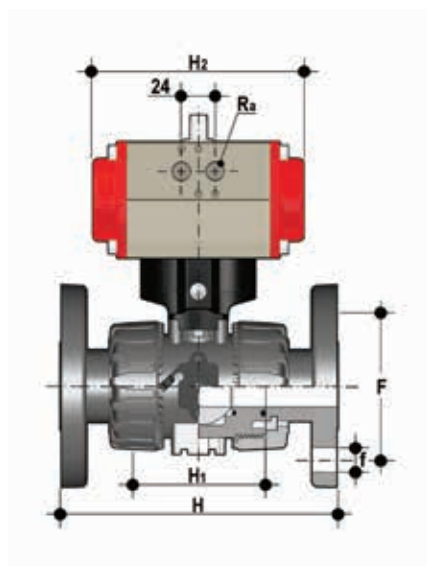
VKD/CP DN 10÷50 PVC-C



VKDOC/CP NC

DUAL BLOCK® Ball Valve with fixed flanges, drilled EN/ISO/DIN PN 10/16, face to face dimensions as per EN 558-1 with pneumatic actuator, Normally Closed function

d	DN	PN	H	H ₁	F	f	U	Sp	H ₂	R ₂	g	EPDM Code	FKM Code
20	15	16	130	65	65	14	4	11	160	G1/8"	1222	VKDOCNC020E	VKDOCNC020F
25	20	16	150	70	75	14	4	14	138	G1/8"	1603	VKDOCNC025E	VKDOCNC025F
32	25	16	160	78	85	14	4	14	138	G1/8"	1723	VKDOCNC032E	VKDOCNC032F
40	32	16	180	88	100	18	4	14	155.5	G1/4"	2700	VKDOCNC040E	VKDOCNC040F
50	40	16	200	93	110	18	4	16	155.5	G1/4"	2988	VKDOCNC050E	VKDOCNC050F
63	50	16	230	111	125	18	4	16	155.5	G1/4"	3611	VKDOCNC063E	VKDOCNC063F



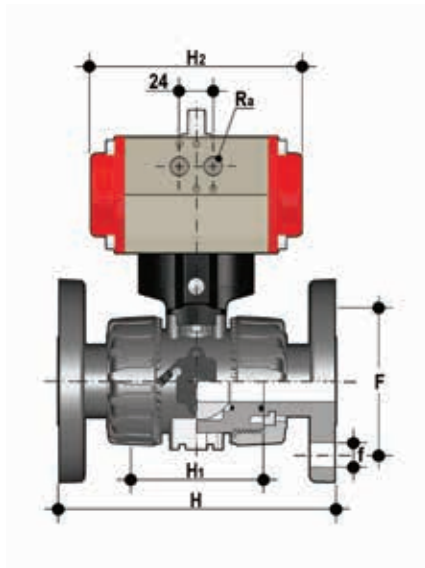
VKDOC/CP NO

DUAL BLOCK® Ball Valve with fixed flanges, drilled EN/ISO/DIN PN 10/16, face to face dimensions as per EN 558-1 with pneumatic actuator, Normally Open function

d	DN	PN	H	H ₁	F	f	U	Sp	H ₂	R ₂	g	EPDM Code	FKM Code
20	15	16	130	65	65	14	4	11	160	G1/8"	1222	VKDOCNO020E	VKDOCNO020F
25	20	16	150	70	75	14	4	14	138	G1/8"	1603	VKDOCNO025E	VKDOCNO025F
32	25	16	160	78	85	14	4	14	138	G1/8"	1723	VKDOCNO032E	VKDOCNO032F
40	32	16	180	88	100	18	4	14	155.5	G1/4"	2700	VKDOCNO040E	VKDOCNO040F
50	40	16	200	93	110	18	4	16	155.5	G1/4"	2988	VKDOCNO050E	VKDOCNO050F
63	50	16	230	111	125	18	4	16	155.5	G1/4"	3611	VKDOCNO063E	VKDOCNO063F

DIMENSIONS

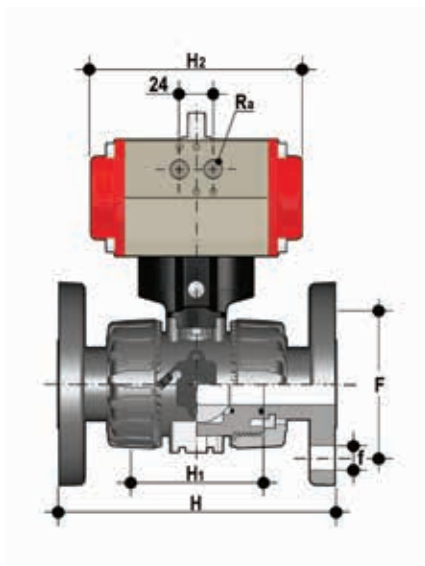
VKD/CP DN 10÷50 PVC-C



VKDOAC/CP DA

DUAL BLOCK® ball valve with fixed flanges drilled ANSI B16.5 cl.150#FF with pneumatic actuator, Double-Acting function

d	DN	PN	H	H ₁	F	f	U	Sp	H ₂	R _s	g	EPDM Code	FKM Code
1/2"	15	16	143	65	60.3	15.9	4	11	160	G1/8"	1162	VKDOACDA012E	VKDOACDA012F
3/4"	20	16	172	70	69.9	15.9	4	14	138	G1/8"	1493	VKDOACDA034E	VKDOACDA034F
1"	25	16	187	78	79.4	15.9	4	14	138	G1/8"	1613	VKDOACDA100E	VKDOACDA100F
1" 1/4	32	16	190	88	88.9	15.9	4	14	155.5	G1/4"	2500	VKDOACDA114E	VKDOACDA114F
1" 1/2	40	16	212	93	98.4	15.9	4	16	155.5	G1/4"	2788	VKDOACDA112E	VKDOACDA112F
2"	50	16	234	111	120.7	19.1	4	16	155.5	G1/4"	3411	VKDOACDA200E	VKDOACDA200F



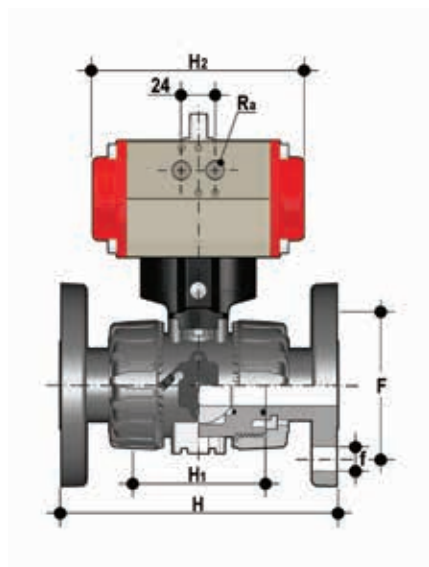
VKDOAC/CP NC

DUAL BLOCK® ball valve with fixed flanges drilled ANSI B16.5 cl.150#FF with pneumatic actuator, Normally Closed function

d	DN	PN	H	H ₁	F	f	U	Sp	H ₂	R _s	g	EPDM Code	FKM Code
1/2"	15	16	143	65	60.3	15.9	4	11	160	G1/8"	1222	VKDOACNC012E	VKDOACNC012F
3/4"	20	16	172	70	69.9	15.9	4	14	138	G1/8"	1603	VKDOACNC034E	VKDOACNC034F
1"	25	16	187	78	79.4	15.9	4	14	138	G1/8"	1723	VKDOACNC100E	VKDOACNC100F
1" 1/4	32	16	190	88	88.9	15.9	4	14	155.5	G1/4"	2700	VKDOACNC114E	VKDOACNC114F
1" 1/2	40	16	212	93	98.4	15.9	4	16	155.5	G1/4"	2988	VKDOACNC112E	VKDOACNC112F
2"	50	16	234	111	120.7	19.1	4	16	155.5	G1/4"	3611	VKDOACNC200E	VKDOACNC200F

DIMENSIONS

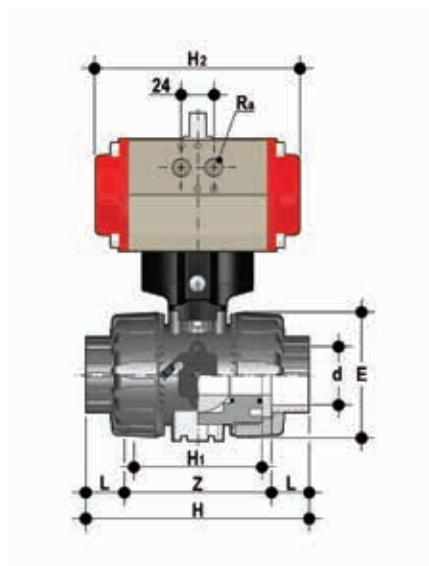
VKD/CP DN 10÷50 PVC-C



VKDOAC/CP NO

DUAL BLOCK® ball valve with fixed flanges drilled ANSI B16.5 cl.150#FF with pneumatic actuator, Normally Open function

d	DN	PN	H	H ₁	F	f	U	Sp	H ₂	R _a	g	EPDM Code	EPDM Code
1/2"	15	16	143	65	60.3	15.9	4	11	160	G1/8"	1222	VKDOACNO012E	VKDOACNO012F
3/4"	20	16	172	70	69.9	15.9	4	14	138	G1/8"	1603	VKDOACNO034E	VKDOACNO034F
1"	25	16	187	78	79.4	15.9	4	14	138	G1/8"	1723	VKDOACNO100E	VKDOACNO100F
1" 1/4	32	16	190	88	88.9	15.9	4	14	155.5	G1/4"	2700	VKDOACNO114E	VKDOACNO114F
1" 1/2	40	16	212	93	98.4	15.9	4	16	155.5	G1/4"	2988	VKDOACNO112E	VKDOACNO112F
2"	50	16	234	111	120.7	19.1	4	16	155.5	G1/4"	3611	VKDOACNO200E	VKDOACNO200F



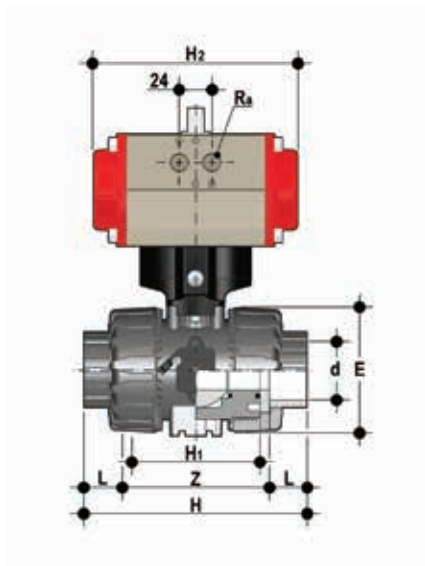
VKDAC/CP DA

Two way DUAL BLOCK® ball valve with female ends for solvent welding, ASTM series with pneumatic actuator, Double-Acting function

d	DN	PN	E	H	H ₁	L	Z	H ₂	R _a	g	EPDM Code	FKM Code
1/2"	15	16	54	117	65	22.5	72	160	G1/8"	1162	VKDACDA012E	VKDACDA012F
3/4"	20	16	65	129	70	25.5	78	138	G1/8"	1493	VKDACDA034E	VKDACDA034F
1"	25	16	73	142	78	28.7	84.6	138	G1/8"	1613	VKDACDA100E	VKDACDA100F
1" 1/4	32	16	86	162	88	32	98	155.5	G1/4"	2500	VKDACDA114E	VKDACDA114F
1" 1/2	40	16	98	172	93	35	102	155.5	G1/4"	2788	VKDACDA112E	VKDACDA112F
2"	50	16	122	199	111	38.2	122.6	155.5	G1/4"	3411	VKDACDA200E	VKDACDA200F

DIMENSIONS

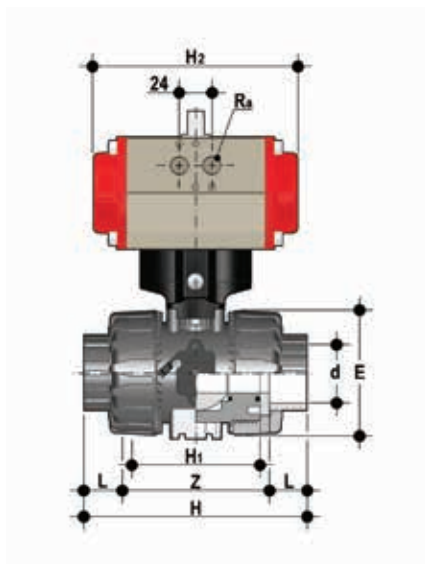
VKD/CP DN 10÷50 PVC-C



VKDAC/CP NC

Two way DUAL BLOCK® ball valve with female ends for solvent welding, ASTM series with pneumatic actuator, Normally Closed function

d	DN	PN	E	H	H ₁	L	Z	H ₂	R _a	g	EPDM Code	FKM Code
1/2"	15	16	54	117	65	22.5	72	160	G1/8"	1222	VKDACNC012E	VKDACNC012F
3/4"	20	16	65	129	70	25.5	78	138	G1/8"	1603	VKDACNC034E	VKDACNC034F
1"	25	16	73	142	78	28.7	84.6	138	G1/8"	1723	VKDACNC100E	VKDACNC100F
1" 1/4	32	16	86	162	88	32	98	155.5	G1/4"	2700	VKDACNC114E	VKDACNC114F
1" 1/2	40	16	98	172	93	35	102	155.5	G1/4"	2988	VKDACNC112E	VKDACNC112F
2"	50	16	122	199	111	38.2	122.6	155.5	G1/4"	3611	VKDACNC200E	VKDACNC200F



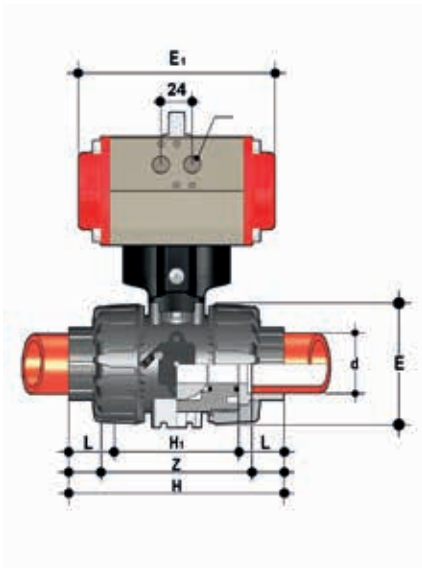
VKDAC/CP NO

Two way DUAL BLOCK® ball valve with female ends for solvent welding, ASTM series with pneumatic actuator, Normally Open function

d	DN	PN	E	H	H ₁	L	Z	H ₂	R _a	g	EPDM Code	FKM Code
1/2"	15	16	54	117	65	22.5	72	160	G1/8"	1222	VKDACNO012E	VKDACNO012F
3/4"	20	16	65	129	70	25.5	78	138	G1/8"	1603	VKDACNO034E	VKDACNO034F
1"	25	16	73	142	78	28.7	84.6	138	G1/8"	1723	VKDACNO100E	VKDACNO100F
1" 1/4	32	16	86	162	88	32	98	155.5	G1/4"	2700	VKDACNO114E	VKDACNO114F
1" 1/2	40	16	98	172	93	35	102	155.5	G1/4"	2988	VKDACNO112E	VKDACNO112F
2"	50	16	122	199	111	38.2	122.6	155.5	G1/4"	3611	VKDACNO200E	VKDACNO200F

DIMENSIONS

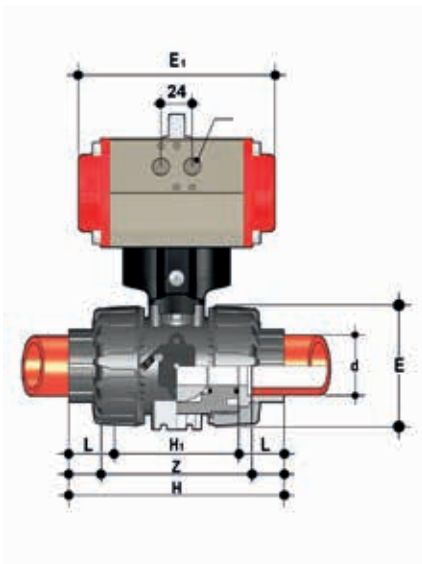
VKD/CP DN 10÷50 PP-H



VKDIM/CP DA

DUAL BLOCK® ball valve with female ends for socket welding, metric series with pneumatic actuator, Double-Acting function

d	DN	PN	E	H	H ₁	L	Z	H ₂	R _s	g	EPDM Code	FKM Code
16	10	10	54	103	65	14	74.5	160	G1/8"	1090	VKDIMDA016E	VKDIMDA016F
20	15	10	54	103	65	15	73	160	G1/8"	1085	VKDIMDA020E	VKDIMDA020F
25	20	10	65	115	70	17	82	138	G1/8"	1361	VKDIMDA025E	VKDIMDA025F
32	25	10	73	128	78	19	90	138	G1/8"	1441	VKDIMDA032E	VKDIMDA032F
40	32	10	86	146	88	23	100	155.5	G1/4"	2256	VKDIMDA040E	VKDIMDA040F
50	40	10	98	164	93	24	117	155.5	G1/4"	2458	VKDIMDA050E	VKDIMDA050F
63	50	10	122	199	111	28	144	155.5	G1/4"	2907	VKDIMDA063E	VKDIMDA063F



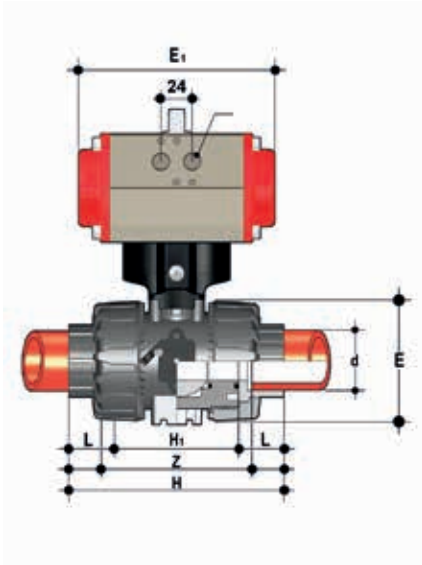
VKDIM/CP NC

DUAL BLOCK® ball valve with female ends for socket welding, metric series with pneumatic actuator, Normally Closed function

d	DN	PN	E	H	H ₁	L	Z	H ₂	R _s	g	EPDM Code	FKM Code
16	10	10	54	103	65	14	74.5	160	G1/8"	1150	VKDIMNC016E	VKDIMNC016F
20	15	10	54	103	65	15	73	160	G1/8"	1145	VKDIMNC020E	VKDIMNC020F
25	20	10	65	115	70	17	82	138	G1/8"	1471	VKDIMNC025E	VKDIMNC025F
32	25	10	73	128	78	19	90	138	G1/8"	1551	VKDIMNC032E	VKDIMNC032F
40	32	10	86	146	88	23	100	155.5	G1/4"	2456	VKDIMNC040E	VKDIMNC040F
50	40	10	98	164	93	24	117	155.5	G1/4"	2658	VKDIMNC050E	VKDIMNC050F
63	50	10	122	199	111	28	144	155.5	G1/4"	3107	VKDIMNC063E	VKDIMNC063F

DIMENSIONS

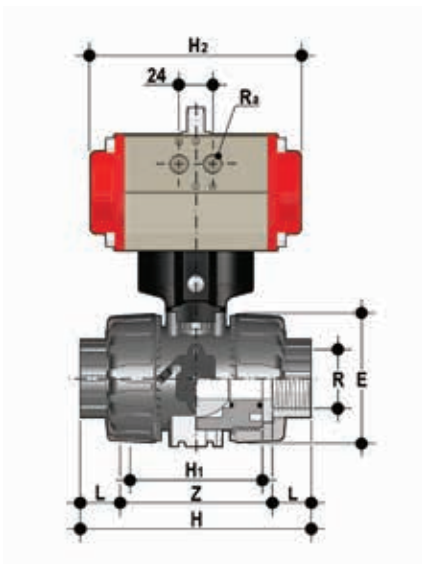
VKD/CP DN 10÷50 PP-H



VKDIM/CP NO

DUAL BLOCK® ball valve with female ends for socket welding, metric series with pneumatic actuator, Normally Open function

d	DN	PN	E	H	H ₁	L	Z	H ₂	R _s	g	EPDM Code	FKM Code
16	10	10	54	103	65	14	74.5	160	G1/8"	1150	VKDIMNO016E	VKDIMNO016F
20	15	10	54	103	65	15	73	160	G1/8"	1145	VKDIMNO020E	VKDIMNO020F
25	20	10	65	115	70	17	82	138	G1/8"	1471	VKDIMNO025E	VKDIMNO025F
32	25	10	73	128	78	19	90	138	G1/8"	1551	VKDIMNO032E	VKDIMNO032F
40	32	10	86	146	88	23	100	155.5	G1/4"	2456	VKDIMNO040E	VKDIMNO040F
50	40	10	98	164	93	24	117	155.5	G1/4"	2658	VKDIMNO050E	VKDIMNO050F
63	50	10	122	199	111	28	144	155.5	G1/4"	3107	VKDIMNO063E	VKDIMNO063F



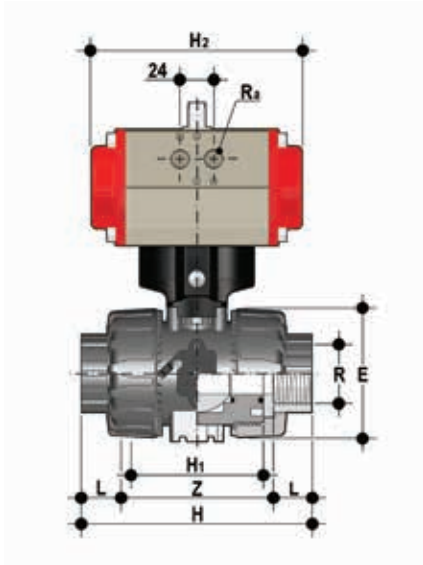
VKDFM/CP DA

DUAL BLOCK® ball valve with gas cylinder thread female ends with pneumatic actuator, Double-Acting function

R	DN	PN	E	H	H ₁	L	Z	H ₂	R _s	g	EPDM Code	FKM Code
1/2"	15	10	54	110	65	15	80	160	G1/8"	1085	VKDFMDA012E	VKDFMDA012F
3/4"	20	10	65	116	70	16	83	138	G1/8"	1361	VKDFMDA034E	VKDFMDA034F
1"	25	10	73	134	78	19	96	138	G1/8"	1441	VKDFMDA100E	VKDFMDA100F
1" 1/4	32	10	86	153	88	21	110	155.5	G1/4"	2256	VKDFMDA114E	VKDFMDA114F
1" 1/2	40	10	98	156	93	21	113	155.5	G1/4"	2458	VKDFMDA112E	VKDFMDA112F
2"	50	10	122	186	111	26	135	155.5	G1/4"	2907	VKDFMDA200E	VKDFMDA200F

DIMENSIONS

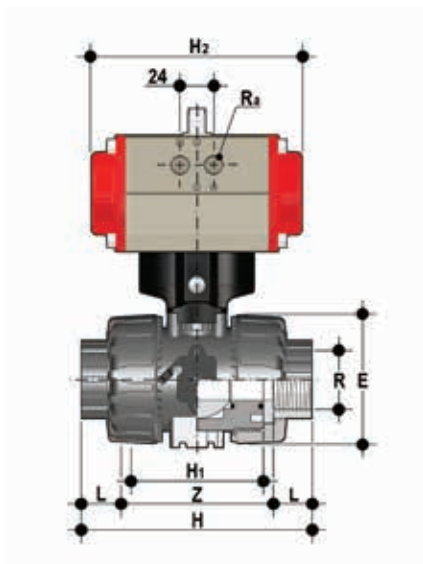
VKD/CP DN 10÷50 PP-H



VKDFM/CP NC

DUAL BLOCK® ball valve with gas cylinder thread female ends with pneumatic actuator, Normally Closed function

R	DN	PN	E	H	H ₁	L	Z	H ₂	R _a	g	EPDM Code	FKM Code
1/2"	15	10	54	110	65	15	80	160	G1/8"	1145	VKDFMNC012E	VKDFMNC012F
3/4"	20	10	65	116	70	16	83	138	G1/8"	1471	VKDFMNC034E	VKDFMNC034F
1"	25	10	73	134	78	19	96	138	G1/8"	1551	VKDFMNC100E	VKDFMNC100F
1" 1/4	32	10	86	153	88	21	110	155.5	G1/4"	2456	VKDFMNC114E	VKDFMNC114F
1" 1/2	40	10	98	156	93	21	113	155.5	G1/4"	2658	VKDFMNC112E	VKDFMNC112F
2"	50	10	122	186	111	26	135	155.5	G1/4"	3107	VKDFMNC200E	VKDFMNC200F



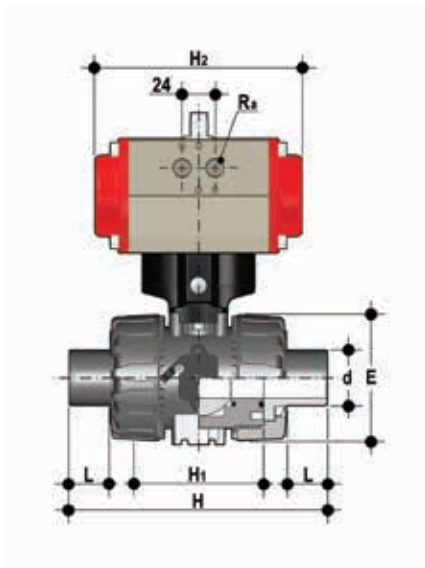
VKDFM/CP NO

DUAL BLOCK® ball valve with gas cylinder thread female ends with pneumatic actuator, Normally Open function

R	DN	PN	E	H	H ₁	L	Z	H ₂	R _a	g	EPDM Code	FKM Code
1/2"	15	10	54	110	65	15	80	160	G1/8"	1145	VKDFMNO012E	VKDFMNO012F
3/4"	20	10	65	116	70	16	83	138	G1/8"	1471	VKDFMNO034E	VKDFMNO034F
1"	25	10	73	134	78	19	96	138	G1/8"	1551	VKDFMNO100E	VKDFMNO100F
1" 1/4	32	10	86	153	88	21	110	155.5	G1/4"	2456	VKDFMNO114E	VKDFMNO114F
1" 1/2	40	10	98	156	93	21	113	155.5	G1/4"	2658	VKDFMNO112E	VKDFMNO112F
2"	50	10	122	186	111	26	135	155.5	G1/4"	3107	VKDFMNO200E	VKDFMNO200F

DIMENSIONS

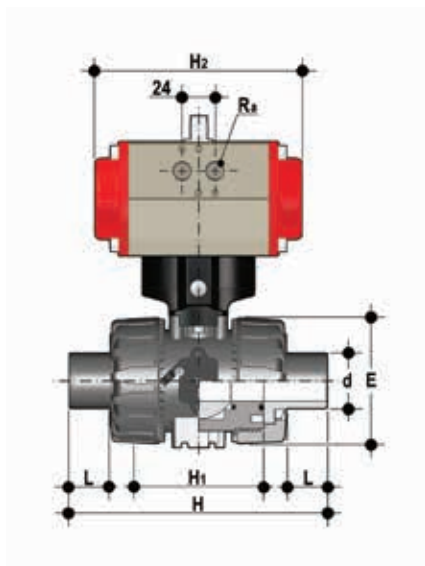
VKD/CP DN 10÷50 PP-H



VKDDM/CP DA

DUAL BLOCK® ball valve with male ends for socket welding, metric series with pneumatic actuator, Double-Acting function

d	DN	PN	E	H	H ₁	L	H ₂	R ₁	g	EPDM Code	FKM Code
20	15	10	54	124	65	16	160	G1/8"	1085	VKDDMDA020E	VKDDMDA020F
25	20	10	65	144	70	18	138	G1/8"	1361	VKDDMDA025E	VKDDMDA025F
32	25	10	73	154	78	20	138	G1/8"	1441	VKDDMDA032E	VKDDMDA032F
40	32	10	86	174	88	22	155.5	G1/4"	2256	VKDDMDA040E	VKDDMDA040F
50	40	10	98	194	93	23	155.5	G1/4"	2458	VKDDMDA050E	VKDDMDA050F
63	50	10	122	224	111	29	155.5	G1/4"	2907	VKDDMDA063E	VKDDMDA063F



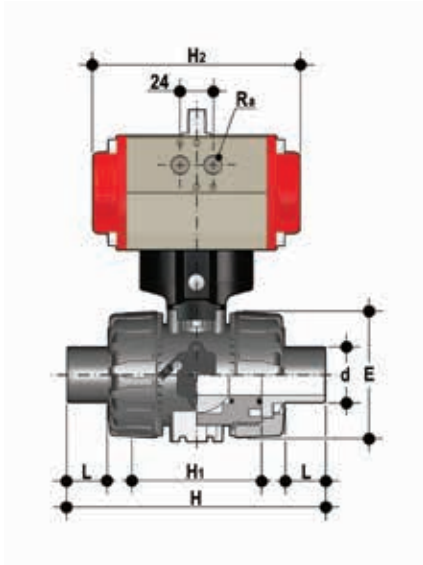
VKDDM/CP NC

DUAL BLOCK® ball valve with male ends for socket welding, metric series with pneumatic actuator, Normally Closed function

d	DN	PN	E	H	H ₁	L	H ₂	R ₁	g	EPDM Code	FKM Code
20	15	10	54	124	65	16	160	G1/8"	1145	VKDDMNC020E	VKDDMNC020F
25	20	10	65	144	70	18	138	G1/8"	1471	VKDDMNC025E	VKDDMNC025F
32	25	10	73	154	78	20	138	G1/8"	1551	VKDDMNC032E	VKDDMNC032F
40	32	10	86	174	88	22	155.5	G1/4"	2456	VKDDMNC040E	VKDDMNC040F
50	40	10	98	194	93	23	155.5	G1/4"	2658	VKDDMNC050E	VKDDMNC050F
63	50	10	122	224	111	29	155.5	G1/4"	3107	VKDDMNC063E	VKDDMNC063F

DIMENSIONS

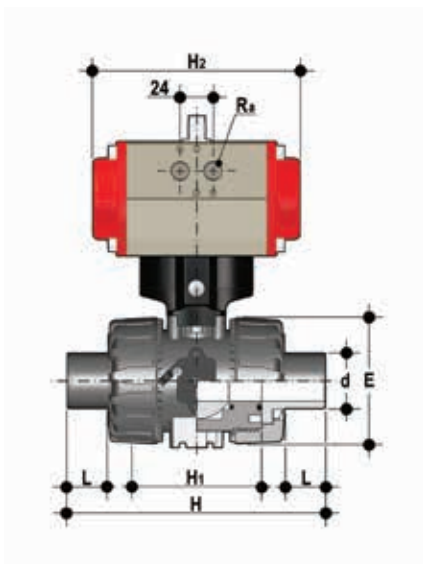
VKD/CP DN 10÷50 PP-H



VKDDM/CP NO

DUAL BLOCK® ball valve with male ends for socket welding, metric series with pneumatic actuator, Normally Open function

d	DN	PN	E	H	H ₁	L	H ₂	R ₂	g	EPDM Code	FKM Code
20	15	10	54	124	65	16	160	G1/8"	1145	VKDDMNO020E	VKDDMNO020F
25	20	10	65	144	70	18	138	G1/8"	1471	VKDDMNO025E	VKDDMNO025F
32	25	10	73	154	78	20	138	G1/8"	1551	VKDDMNO032E	VKDDMNO032F
40	32	10	86	174	88	22	155.5	G1/4"	2456	VKDDMNO040E	VKDDMNO040F
50	40	10	98	194	93	23	155.5	G1/4"	2658	VKDDMNO050E	VKDDMNO050F
63	50	10	122	224	111	29	155.5	G1/4"	3107	VKDDMNO063E	VKDDMNO063F



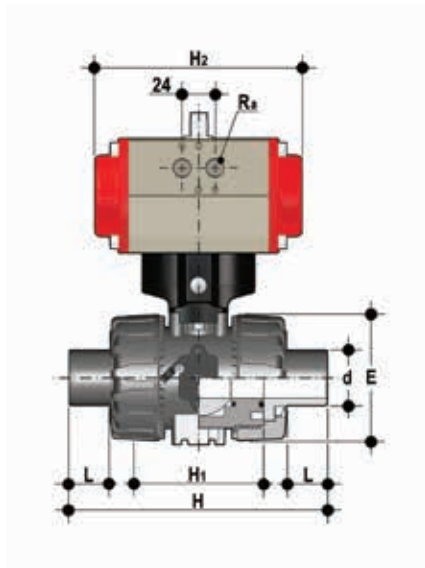
VKDBM/CP DA

DUAL BLOCK® ball valve with long spigot male ends in PP-H SDR21 for head welding (CVDM) with pneumatic actuator, Double-Acting function

d	DN	PN	E	H	H ₁	L	Z	H ₂	R ₂	g	EPDM Code	FKM Code
20	15	10	54	175	65	41	73	160	G1/8"	1085	VKDBMDA020E	VKDBMDA020F
25	20	10	65	210	70	52	82	138	G1/8"	1361	VKDBMDA025E	VKDBMDA025F
32	25	10	73	226	78	55	90	138	G1/8"	1441	VKDBMDA032E	VKDBMDA032F
40	32	10	86	243	88	56	100	155.5	G1/4"	2256	VKDBMDA040E	VKDBMDA040F
50	40	10	98	261	93	58	117	155.5	G1/4"	2458	VKDBMDA050E	VKDBMDA050F
63	50	10	122	293	111	66	144	155.5	G1/4"	2907	VKDBMDA063E	VKDBMDA063F

DIMENSIONS

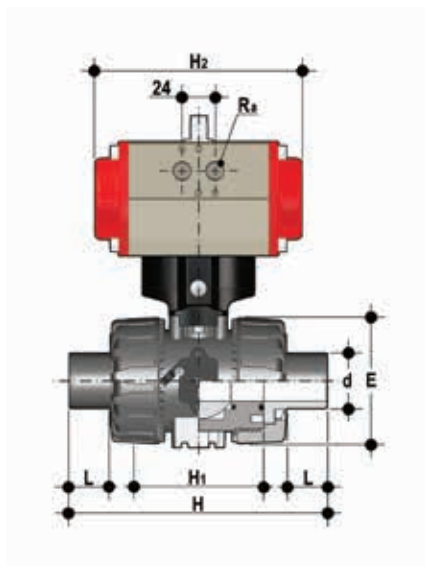
VKD/CP DN 10÷50 PP-H



VKDBM/CP NC

DUAL BLOCK® ball valve with long spigot male ends in PP-H SDR21 for head welding (CVDM) with pneumatic actuator, Normally Closed function

R	DN	PN	E	H	H ₁	L	Z	H ₂	R ₂	g	EPDM Code	FKM Code
20	15	10	54	175	65	41	73	160	G1/8"	1145	VKDBMNC020E	VKDBMNC020F
25	20	10	65	210	70	52	82	138	G1/8"	1471	VKDBMNC025E	VKDBMNC025F
32	25	10	73	226	78	55	90	138	G1/8"	1551	VKDBMNC032E	VKDBMNC032F
40	32	10	86	243	88	56	100	155.5	G1/4"	2456	VKDBMNC040E	VKDBMNC040F
50	40	10	98	261	93	58	117	155.5	G1/4"	2658	VKDBMNC050E	VKDBMNC050F
63	50	10	122	293	111	66	144	155.5	G1/4"	3107	VKDBMNC063E	VKDBMNC063F



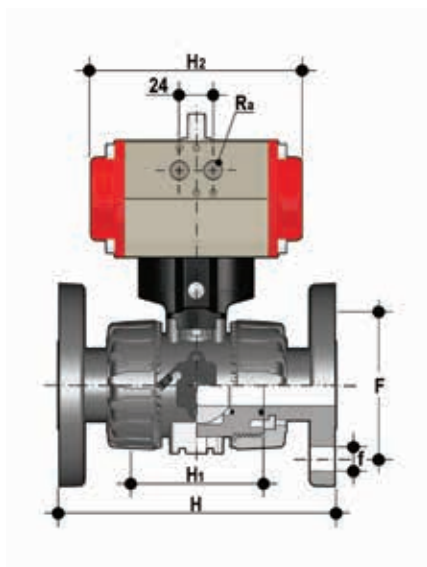
VKDBM/CP NO

DUAL BLOCK® ball valve with long spigot male ends in PP-H SDR21 for head welding (CVDM) with pneumatic actuator, Normally Open function

R	DN	PN	E	H	H ₁	L	Z	H ₂	R ₂	g	EPDM Code	FKM Code
20	15	10	54	175	65	41	73	160	G1/8"	1145	VKDBMNO020E	VKDBMNO020F
25	20	10	65	210	70	52	82	138	G1/8"	1471	VKDBMNO025E	VKDBMNO025F
32	25	10	73	226	78	55	90	138	G1/8"	1551	VKDBMNO032E	VKDBMNO032F
40	32	10	86	243	88	56	100	155.5	G1/4"	2456	VKDBMNO040E	VKDBMNO040F
50	40	10	98	261	93	58	117	155.5	G1/4"	2658	VKDBMNO050E	VKDBMNO050F
63	50	10	122	293	111	66	144	155.5	G1/4"	3107	VKDBMNO063E	VKDBMNO063F

DIMENSIONS

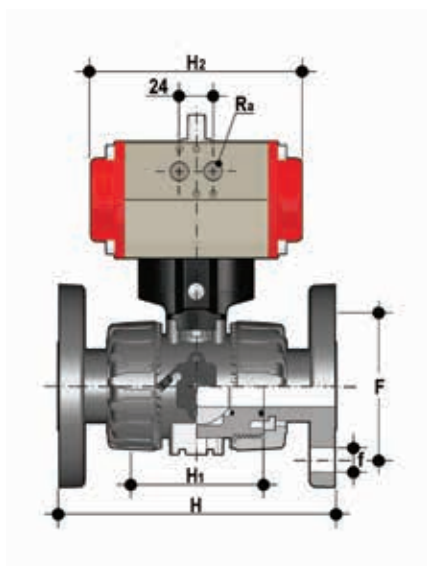
VKD/CP DN 10÷50 PP-H



VKDOM/CP DA

DUAL BLOCK® Ball Valve with fixed flanges, drilled EN/ISO/DIN PN 10/16, face to face dimensions as per EN 558-1 with pneumatic actuator, Double-Acting function

d	DN	PN	H	H ₁	F	f	U	Sp	H ₂	R _s	g	EPDM Code	FKM Code
20	15	10	130	65	65	14	4	11	160	G1/8"	1085	VKDOMDA020E	VKDOMDA020F
25	20	10	150	70	75	14	4	14	138	G1/8"	1361	VKDOMDA025E	VKDOMDA025F
32	25	10	160	78	85	14	4	14	138	G1/8"	1441	VKDOMDA032E	VKDOMDA032F
40	32	10	180	88	100	18	4	14	155.5	G1/4"	2256	VKDOMDA040E	VKDOMDA040F
50	40	10	200	93	110	18	4	16	155.5	G1/4"	2458	VKDOMDA050E	VKDOMDA050F
63	50	10	230	111	125	18	4	16	155.5	G1/4"	2907	VKDOMDA063E	VKDOMDA063F



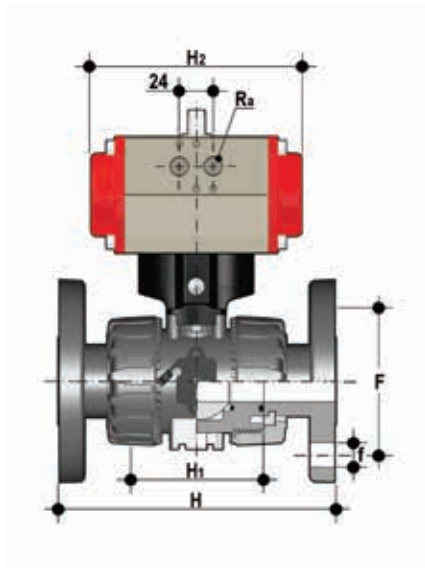
VKDOM/CP NC

DUAL BLOCK® Ball Valve with fixed flanges, drilled EN/ISO/DIN PN 10/16, face to face dimensions as per EN 558-1 with pneumatic actuator, Normally Closed function

d	DN	PN	H	H ₁	F	f	U	Sp	H ₂	R _s	g	EPDM Code	FKM Code
20	15	10	130	65	65	14	4	11	160	G1/8"	1145	VKDOMNC020E	VKDOMNC020F
25	20	10	150	70	75	14	4	14	138	G1/8"	1471	VKDOMNC025E	VKDOMNC025F
32	25	10	160	78	85	14	4	14	138	G1/8"	1551	VKDOMNC032E	VKDOMNC032F
40	32	10	180	88	100	18	4	14	155.5	G1/4"	2456	VKDOMNC040E	VKDOMNC040F
50	40	10	200	93	110	18	4	16	155.5	G1/4"	2658	VKDOMNC050E	VKDOMNC050F
63	50	10	230	111	125	18	4	16	155.5	G1/4"	3107	VKDOMNC063E	VKDOMNC063F

DIMENSIONS

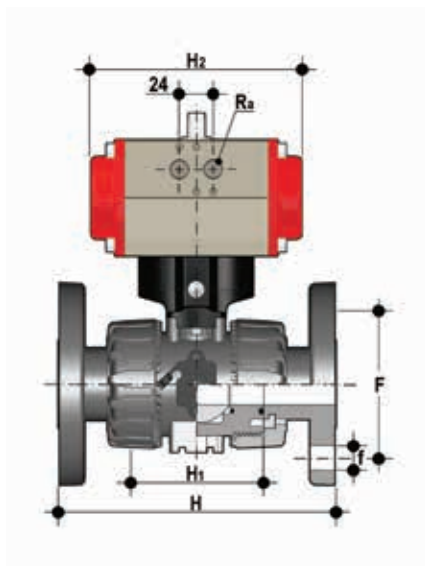
VKD/CP DN 10÷50 PP-H



VKDOM/CP NO

DUAL BLOCK® Ball Valve with fixed flanges, drilled EN/ISO/DIN PN 10/16, face to face dimensions as per EN 558-1 with pneumatic actuator, Normally Open function

d	DN	PN	H	H ₁	F	f	U	Sp	H ₂	R ₂	g	EPDM Code	FKM Code
20	15	10	130	65	65	14	4	11	160	G1/8"	1145	VKDOMNO020E	VKDOMNO020F
25	20	10	150	70	75	14	4	14	138	G1/8"	1471	VKDOMNO025E	VKDOMNO025F
32	25	10	160	78	85	14	4	14	138	G1/8"	1551	VKDOMNO032E	VKDOMNO032F
40	32	10	180	88	100	18	4	14	155.5	G1/4"	2456	VKDOMNO040E	VKDOMNO040F
50	40	10	200	93	110	18	4	16	155.5	G1/4"	2658	VKDOMNO050E	VKDOMNO050F
63	50	10	230	111	125	18	4	16	155.5	G1/4"	3107	VKDOMNO063E	VKDOMNO063F



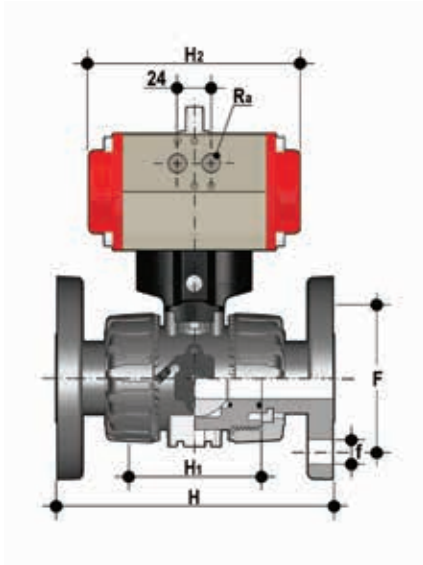
VKDOAM/CP DA

DUAL BLOCK® ball valve with fixed flanges drilled ANSI B16.5 cl.150#FF with pneumatic actuator, Double-Acting function

d	DN	PN	H	H ₁	F	f	U	Sp	H ₂	R ₂	g	EPDM Code	FKM Code
1/2"	15	10	143	65	60.3	15.9	4	11	160	G1/8"	1085	VKDOAMDA012E	VKDOAMDA012F
3/4"	20	10	172	70	69.9	15.9	4	14	138	G1/8"	1361	VKDOAMDA034E	VKDOAMDA034F
1"	25	10	187	78	79.4	15.9	4	14	138	G1/8"	1441	VKDOAMDA100E	VKDOAMDA100F
1" 1/4	32	10	190	88	88.9	15.9	4	14	155.5	G1/4"	2256	VKDOAMDA114E	VKDOAMDA114F
1" 1/2	40	10	212	93	98.4	15.9	4	16	155.5	G1/4"	2458	VKDOAMDA112E	VKDOAMDA112F
2"	50	10	234	111	120.7	19.1	4	16	155.5	G1/4"	2907	VKDOAMDA200E	VKDOAMDA200F

DIMENSIONS

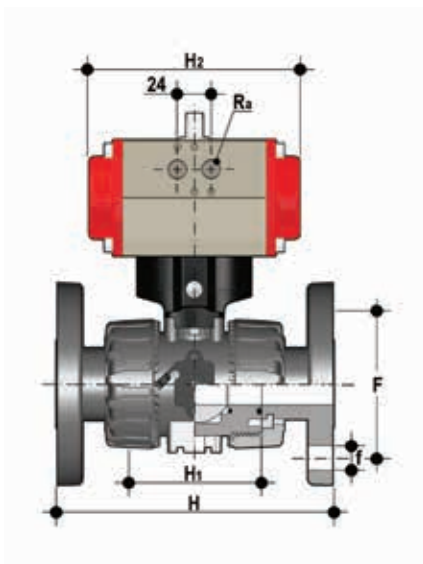
VKD/CP DN 10÷50 PP-H



VKDOAM/CP NC

DUAL BLOCK® ball valve with fixed flanges drilled ANSI B16.5 cl.150#FF with pneumatic actuator, Normally Closed function

d	DN	PN	H	H ₁	F	f	U	Sp	H ₂	R _a	g	EPDM Code	FKM Code
1/2"	15	10	143	65	60.3	15.9	4	11	160	G1/8"	1145	VKDOAMNC012E	VKDOAMNC012F
3/4"	20	10	172	70	69.9	15.9	4	14	138	G1/8"	1471	VKDOAMNC034E	VKDOAMNC034F
1"	25	10	187	78	79.4	15.9	4	14	138	G1/8"	1551	VKDOAMNC100E	VKDOAMNC100F
1" 1/4	32	10	190	88	88.9	15.9	4	14	155.5	G1/4"	2456	VKDOAMNC114E	VKDOAMNC114F
1" 1/2	40	10	212	93	98.4	15.9	4	16	155.5	G1/4"	2658	VKDOAMNC112E	VKDOAMNC112F
2"	50	10	234	111	120.7	19.1	4	16	155.5	G1/4"	3107	VKDOAMNC200E	VKDOAMNC200F



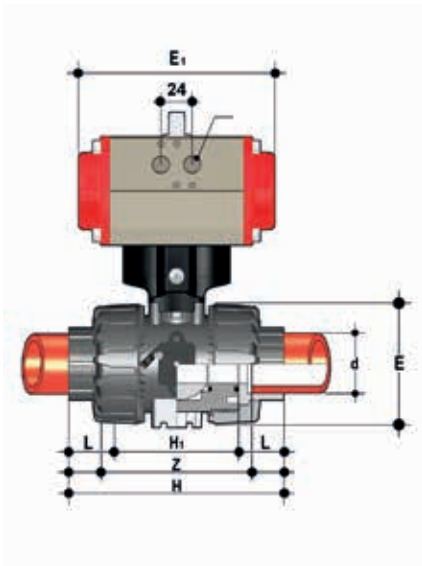
VKDOAM/CP NO

DUAL BLOCK® ball valve with fixed flanges drilled ANSI B16.5 cl.150#FF with pneumatic actuator, Normally Open function

d	DN	PN	H	H ₁	F	f	U	Sp	H ₂	R _a	g	Code	Code
1/2"	15	10	143	65	60.3	15.9	4	11	160	G1/8"	1145	VKDOAMNO012E	VKDOAMNO012F
3/4"	20	10	172	70	69.9	15.9	4	14	138	G1/8"	1471	VKDOAMNO034E	VKDOAMNO034F
1"	25	10	187	78	79.4	15.9	4	14	138	G1/8"	1551	VKDOAMNO100E	VKDOAMNO100F
1" 1/4	32	10	190	88	88.9	15.9	4	14	155.5	G1/4"	2456	VKDOAMNO114E	VKDOAMNO114F
1" 1/2	40	10	212	93	98.4	15.9	4	16	155.5	G1/4"	2658	VKDOAMNO112E	VKDOAMNO112F
2"	50	10	234	111	120.7	19.1	4	16	155.5	G1/4"	3107	VKDOAMNO200E	VKDOAMNO200F

DIMENSIONS

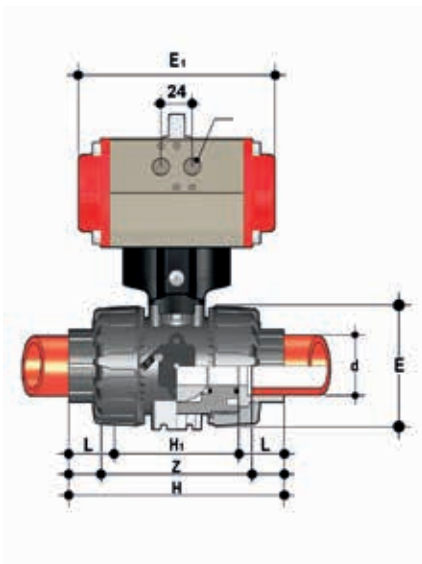
VKD/CP DN 10÷50 PVDF



VKDIF/CP DA

DUAL BLOCK® ball valve with female ends for socket welding, metric series with pneumatic actuator, Double-Acting function

d	DN	PN	E	H	H ₁	L	Z	H ₂	R _s	g	FKM Code
16	10	16	54	103	65	14	74.5	160	G1/8"	1200	VKDIFDA016F
20	15	16	54	103	65	15	73	160	G1/8"	1195	VKDIFDA020F
25	20	16	65	115	70	17	82	138	G1/8"	1533	VKDIFDA025F
32	25	16	73	128	78	19	90	138	G1/8"	1693	VKDIFDA032F
40	32	16	86	146	88	23	100	155.5	G1/4"	2591	VKDIFDA040F
50	40	16	98	164	93	24	117	155.5	G1/4"	2926	VKDIFDA050F
63	50	16	122	199	111	28	144	155.5	G1/4"	3711	VKDIFDA063F



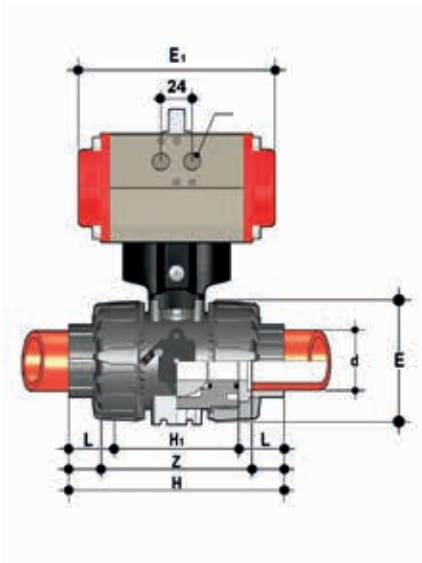
VKDIF/CP NC

DUAL BLOCK® ball valve with female ends for socket welding, metric series with pneumatic actuator, Normally Closed function

d	DN	PN	E	H	H ₁	L	Z	H ₂	R _s	g	FKM Code
16	10	16	54	103	65	14	74.5	160	G1/8"	1260	VKDIFNC016F
20	15	16	54	103	65	15	73	160	G1/8"	1255	VKDIFNC020F
25	20	16	65	115	70	17	82	138	G1/8"	1643	VKDIFNC025F
32	25	16	73	128	78	19	90	138	G1/8"	1803	VKDIFNC032F
40	32	16	86	146	88	23	100	155.5	G1/4"	2791	VKDIFNC040F
50	40	16	98	164	93	24	117	155.5	G1/4"	3126	VKDIFNC050F
63	50	16	122	199	111	28	144	155.5	G1/4"	3911	VKDIFNC063F

DIMENSIONS

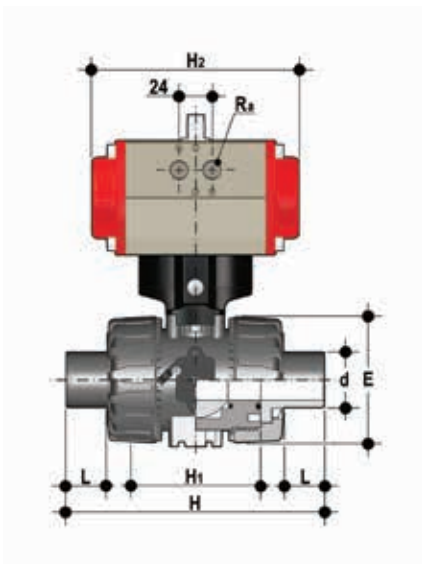
VKD/CP DN 10÷50 PVDF



VKDIF/CP NO

DUAL BLOCK® ball valve with female ends for socket welding, metric series with pneumatic actuator, Normally Open function

d	DN	PN	E	H	H ₁	L	Z	H ₂	R ₂	g	FKM Code
16	10	16	54	103	65	14	74.5	160	G1/8"	1260	VKDIFNO016F
20	15	16	54	103	65	15	73	160	G1/8"	1255	VKDIFNO020F
25	20	16	65	115	70	17	82	138	G1/8"	1643	VKDIFNO025F
32	25	16	73	128	78	19	90	138	G1/8"	1803	VKDIFNO032F
40	32	16	86	146	88	23	100	155.5	G1/4"	2791	VKDIFNO040F
50	40	16	98	164	93	24	117	155.5	G1/4"	3126	VKDIFNO050F
63	50	16	122	199	111	28	144	155.5	G1/4"	3911	VKDIFNO063F



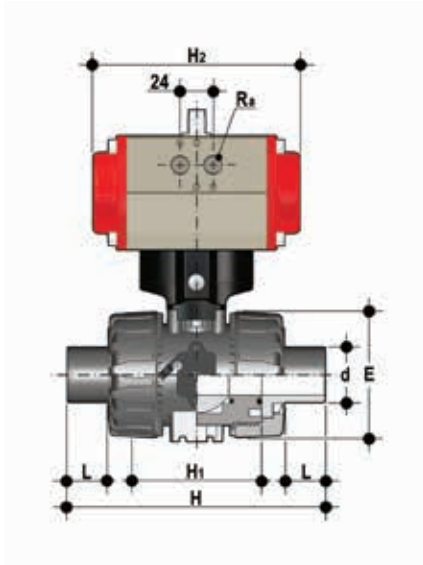
VKDDF/CP DA

DUAL BLOCK® ball valve with male ends for socket welding, metric series with pneumatic actuator, Double-Acting function

d	DN	PN	E	H	H ₁	L	H ₂	R ₂	g	FKM Code
20	15	16	54	124	65	16	160	G1/8"	1195	VKDDFDA020F
25	20	16	65	144	70	18	138	G1/8"	1533	VKDDFDA025F
32	25	16	73	154	78	20	138	G1/8"	1693	VKDDFDA032F
40	32	16	86	174	88	22	155.5	G1/4"	2591	VKDDFDA040F
50	40	16	98	194	93	23	155.5	G1/4"	2926	VKDDFDA050F
63	50	16	122	224	111	29	155.5	G1/4"	3711	VKDDFDA063F

DIMENSIONS

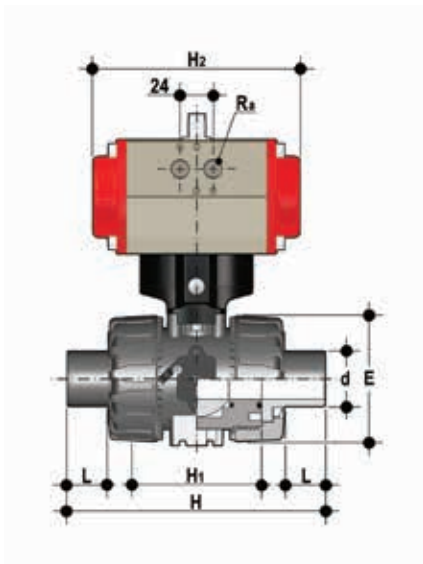
VKD/CP DN 10÷50 PVDF



VKDDF/CP NC

DUAL BLOCK® ball valve with male ends for socket welding, metric series with pneumatic actuator, Normally Closed function

d	DN	PN	E	H	H ₁	L	H ₂	R _o	g	FKM Code
20	15	16	54	124	65	16	160	G1/8"	1255	VKDDFNC020F
25	20	16	65	144	70	18	138	G1/8"	1643	VKDDFNC025F
32	25	16	73	154	78	20	138	G1/8"	1803	VKDDFNC032F
40	32	16	86	174	88	22	155.5	G1/4"	2791	VKDDFNC040F
50	40	16	98	194	93	23	155.5	G1/4"	3126	VKDDFNC050F
63	50	16	122	224	111	29	155.5	G1/4"	3911	VKDDFNC063F



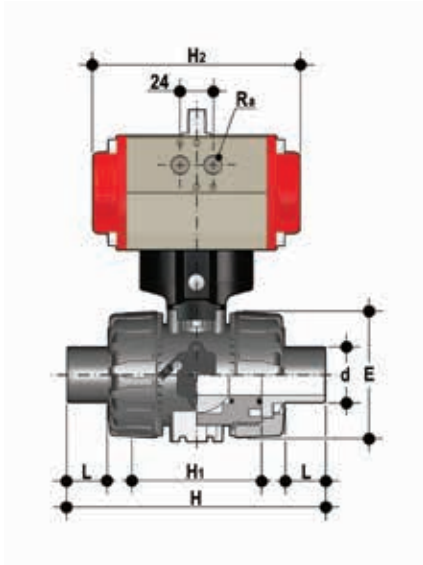
VKDDF/CP NO

DUAL BLOCK® ball valve with male ends for socket welding, metric series with pneumatic actuator, Normally Open function

d	DN	PN	E	H	H ₁	L	H ₂	R _o	g	FKM Code
20	15	16	54	124	65	16	160	G1/8"	1255	VKDDFNO020F
25	20	16	65	144	70	18	138	G1/8"	1643	VKDDFNO025F
32	25	16	73	154	78	20	138	G1/8"	1803	VKDDFNO032F
40	32	16	86	174	88	22	155.5	G1/4"	2791	VKDDFNO040F
50	40	16	98	194	93	23	155.5	G1/4"	3126	VKDDFNO050F
63	50	16	122	224	111	29	155.5	G1/4"	3911	VKDDFNO063F

DIMENSIONS

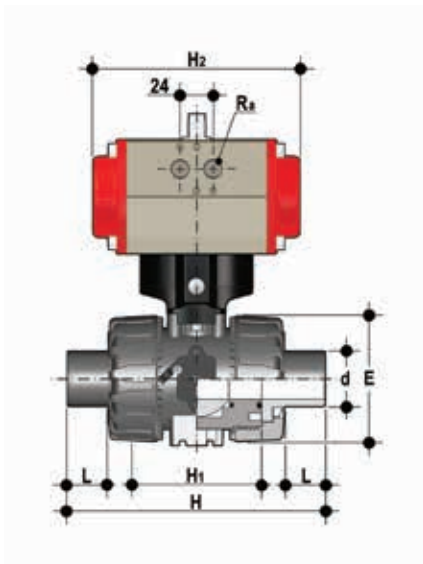
VKD/CP DN 10÷50 PVDF



VKDBF/CP DA

DUAL BLOCK® ball valve with long spigot male ends in PVDF SDR21 for head welding (CVDF) with pneumatic actuator, Double-Acting function

d	DN	PN	E	H	H ₁	L	H ₂	R _a	g	FKM Code
20	15	16	54	171	65	41	160	G1/8"	1195	VKDBFDA020F
25	20	16	65	204	70	52	138	G1/8"	1533	VKDBFDA025F
32	25	16	73	220	78	55	138	G1/8"	1693	VKDBFDA032F
40	32	16	86	238	88	56	155.5	G1/4"	2591	VKDBFDA040F
50	40	16	98	254	93	58	155.5	G1/4"	2926	VKDBFDA050F
63	50	16	122	286	111	66	155.5	G1/4"	3711	VKDBFDA063F



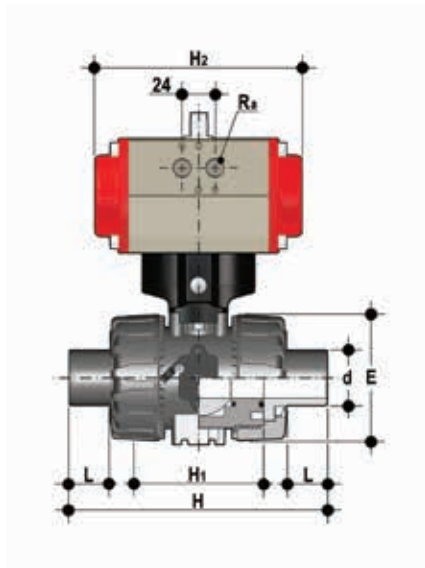
VKDBF/CP NC

DUAL BLOCK® ball valve with long spigot male ends in PVDF SDR21 for head welding (CVDF) with pneumatic actuator, Normally Closed function

d	DN	PN	E	H	H ₁	L	H ₂	R _a	g	FKM Code
20	15	16	54	124	65	16	160	G1/8"	1255	VKDBFNC020F
25	20	16	65	144	70	18	138	G1/8"	1643	VKDBFNC025F
32	25	16	73	154	78	20	138	G1/8"	1803	VKDBFNC032F
40	32	16	86	174	88	22	155.5	G1/4"	2791	VKDBFNC040F
50	40	16	98	194	93	23	155.5	G1/4"	3126	VKDBFNC050F
63	50	16	122	224	111	29	155.5	G1/4"	3911	VKDBFNC063F

DIMENSIONS

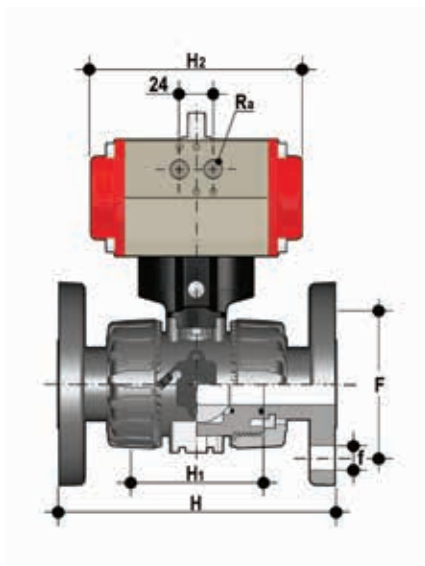
VKD/CP DN 10÷50 PVDF



VKDBF/CP NO

DUAL BLOCK® ball valve with long spigot male ends in PVDF SDR21 for head welding (CVDF) with pneumatic actuator, Normally Open function

d	DN	PN	E	H	H ₁	L	H ₂	R _a	g	FKM Code
20	15	16	54	124	65	16	160	G1/8"	1255	VKDBFNO020F
25	20	16	65	144	70	18	138	G1/8"	1643	VKDBFNO025F
32	25	16	73	154	78	20	138	G1/8"	1803	VKDBFNO032F
40	32	16	86	174	88	22	155.5	G1/4"	2791	VKDBFNO040F
50	40	16	98	194	93	23	155.5	G1/4"	3126	VKDBFNO050F
63	50	16	122	224	111	29	155.5	G1/4"	3911	VKDBFNO063F



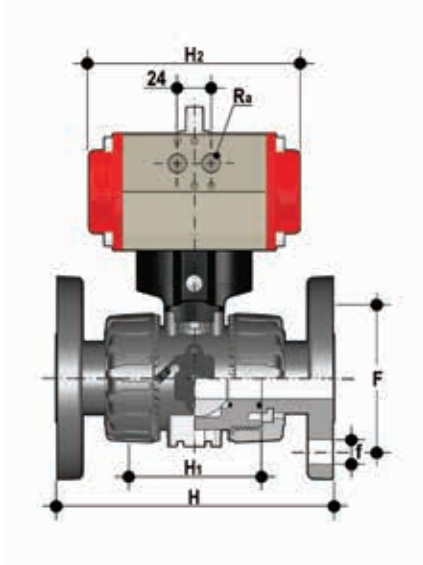
VKDOF/CP DA

DUAL BLOCK® Ball Valve with fixed flanges, drilled EN/ISO/DIN PN 10/16, face to face dimensions as per EN 558-1 with pneumatic actuator, Double-Acting function

d	DN	PN	H	H ₁	F	f	U	Sp	H ₂	R _a	g	FKM Code
20	15	16	130	65	65	14	4	11	160	G1/8"	1195	VKDOFDA020F
25	20	16	150	70	75	14	4	14	138	G1/8"	1533	VKDOFDA025F
32	25	16	160	78	85	14	4	14	138	G1/8"	1693	VKDOFDA032F
40	32	16	180	88	100	18	4	14	155.5	G1/4"	2591	VKDOFDA040F
50	40	16	200	93	110	18	4	16	155.5	G1/4"	2926	VKDOFDA050F
63	50	16	230	111	125	18	4	16	155.5	G1/4"	3711	VKDOFDA063F

DIMENSIONS

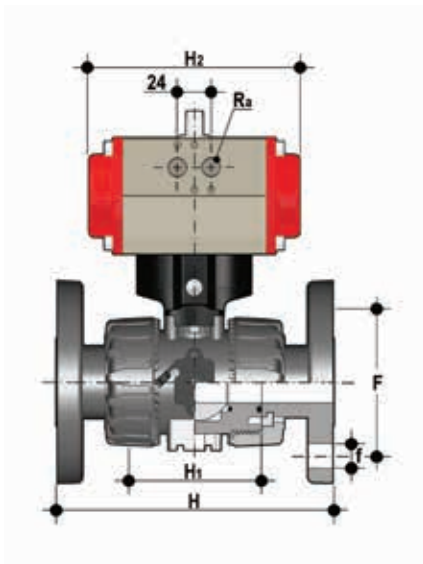
VKD/CP DN 10÷50 PVDF



VKDOF/CP NC

DUAL BLOCK® Ball Valve with fixed flanges, drilled EN/ISO/DIN PN 10/16, face to face dimensions as per EN 558-1 with pneumatic actuator, Normally Closed function

d	DN	PN	H	H ₁	F	f	U	Sp	H ₂	R _a	g	FKM Code
20	15	16	130	65	65	14	4	11	160	G1/8"	1255	VKDOFNC020F
25	20	16	150	70	75	14	4	14	138	G1/8"	1643	VKDOFNC025F
32	25	16	160	78	85	14	4	14	138	G1/8"	1803	VKDOFNC032F
40	32	16	180	88	100	18	4	14	155.5	G1/4"	2791	VKDOFNC040F
50	40	16	200	93	110	18	4	16	155.5	G1/4"	3126	VKDOFNC050F
63	50	16	230	111	125	18	4	16	155.5	G1/4"	3911	VKDOFNC063F



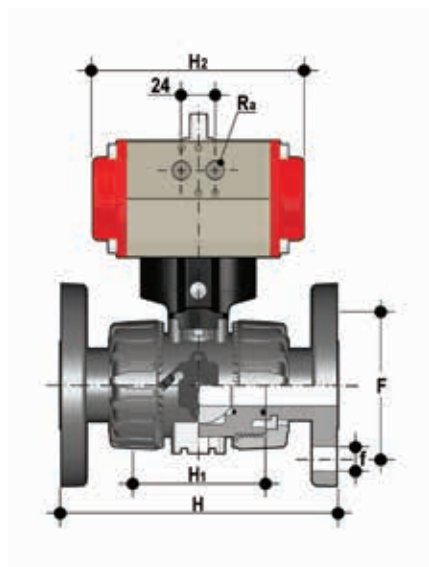
VKDOF/CP NO

DUAL BLOCK® Ball Valve with fixed flanges, drilled EN/ISO/DIN PN 10/16, face to face dimensions as per EN 558-1 with pneumatic actuator, Normally Open function

d	DN	PN	H	H ₁	F	f	U	Sp	H ₂	R _a	g	FKM Code
20	15	16	130	65	65	14	4	11	160	G1/8"	1255	VKDOFNO020F
25	20	16	150	70	75	14	4	14	138	G1/8"	1643	VKDOFNO025F
32	25	16	160	78	85	14	4	14	138	G1/8"	1803	VKDOFNO032F
40	32	16	180	88	100	18	4	14	155.5	G1/4"	2791	VKDOFNO040F
50	40	16	200	93	110	18	4	16	155.5	G1/4"	3126	VKDOFNO050F
63	50	16	230	111	125	18	4	16	155.5	G1/4"	3911	VKDOFNO063F

DIMENSIONS

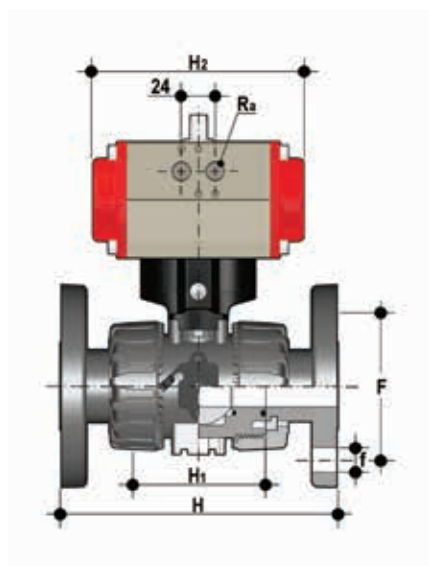
VKD/CP DN 10÷50 PVDF



VKDOAF/CP DA

DUAL BLOCK® ball valve with fixed flanges drilled ANSI B16.5 cl.150#FF with pneumatic actuator, Double-Acting function

d	DN	PN	H	H ₁	F	f	U	Sp	H ₂	R _a	g	FKM Code
1/2"	15	16	143	65	60.3	15.9	4	11	160	G1/8"	1195	VKDOAFDA012F
3/4"	20	16	172	70	69.9	15.9	4	14	138	G1/8"	1533	VKDOAFDA034F
1"	25	16	187	78	79.4	15.9	4	14	138	G1/8"	1693	VKDOAFDA100F
1" 1/4	32	16	190	88	88.9	15.9	4	14	155.5	G1/4"	2591	VKDOAFDA114F
1" 1/2	40	16	212	93	98.4	15.9	4	16	155.5	G1/4"	2926	VKDOAFDA112F
2"	50	16	234	111	120.7	19.1	4	16	155.5	G1/4"	3711	VKDOAFDA200F



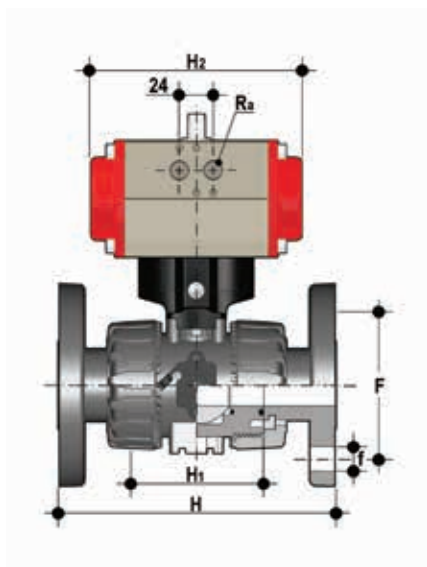
VKDOAF/CP NC

DUAL BLOCK® ball valve with fixed flanges drilled ANSI B16.5 cl.150#FF with pneumatic actuator, Normally Closed function

d	DN	PN	H	H ₁	F	f	U	Sp	H ₂	R _a	g	FKM Code
1/2"	15	16	143	65	60.3	15.9	4	11	160	G1/8"	1255	VKDOAFNC012F
3/4"	20	16	172	70	69.9	15.9	4	14	138	G1/8"	1643	VKDOAFNC034F
1"	25	16	187	78	79.4	15.9	4	14	138	G1/8"	1803	VKDOAFNC100F
1" 1/4	32	16	190	88	88.9	15.9	4	14	155.5	G1/4"	2791	VKDOAFNC114F
1" 1/2	40	16	212	93	98.4	15.9	4	16	155.5	G1/4"	3126	VKDOAFNC112F
2"	50	16	234	111	120.7	19.1	4	16	155.5	G1/4"	3911	VKDOAFNC200F

DIMENSIONS

VKD/CP DN 10÷50 PVDF



VKDOAF/CP NO

DUAL BLOCK® ball valve with fixed flanges drilled ANSI B16.5 cl.150#FF with pneumatic actuator, Normally Open function

d	DN	PN	H	H ₁	F	f	U	Sp	H ₂	R ₂	g	FKM Code
1/2"	15	16	143	65	60.3	15.9	4	11	160	G1/8"	1255	VKDOAFNO012F
3/4"	20	16	172	70	69.9	15.9	4	14	138	G1/8"	1643	VKDOAFNO034F
1"	25	16	187	78	79.4	15.9	4	14	138	G1/8"	1803	VKDOAFNO100F
1" 1/4	32	16	190	88	88.9	15.9	4	14	155.5	G1/4"	2791	VKDOAFNO114F
1" 1/2	40	16	212	93	98.4	15.9	4	16	155.5	G1/4"	3126	VKDOAFNO112F
2"	50	16	234	111	120.7	19.1	4	16	155.5	G1/4"	3911	VKDOAFNO200F

FASTENING AND SUPPORTING



All valves, whether manual or actuated, must be adequately supported in many applications.

The VKD valve series is therefore set to be provided with threaded brackets (optional) that permit direct anchoring of the valve body without the need of other components.

For wall installation, dedicated PMKD mounting plates which are available as accessories can be used. These plates are to be fastened in place before the valve.

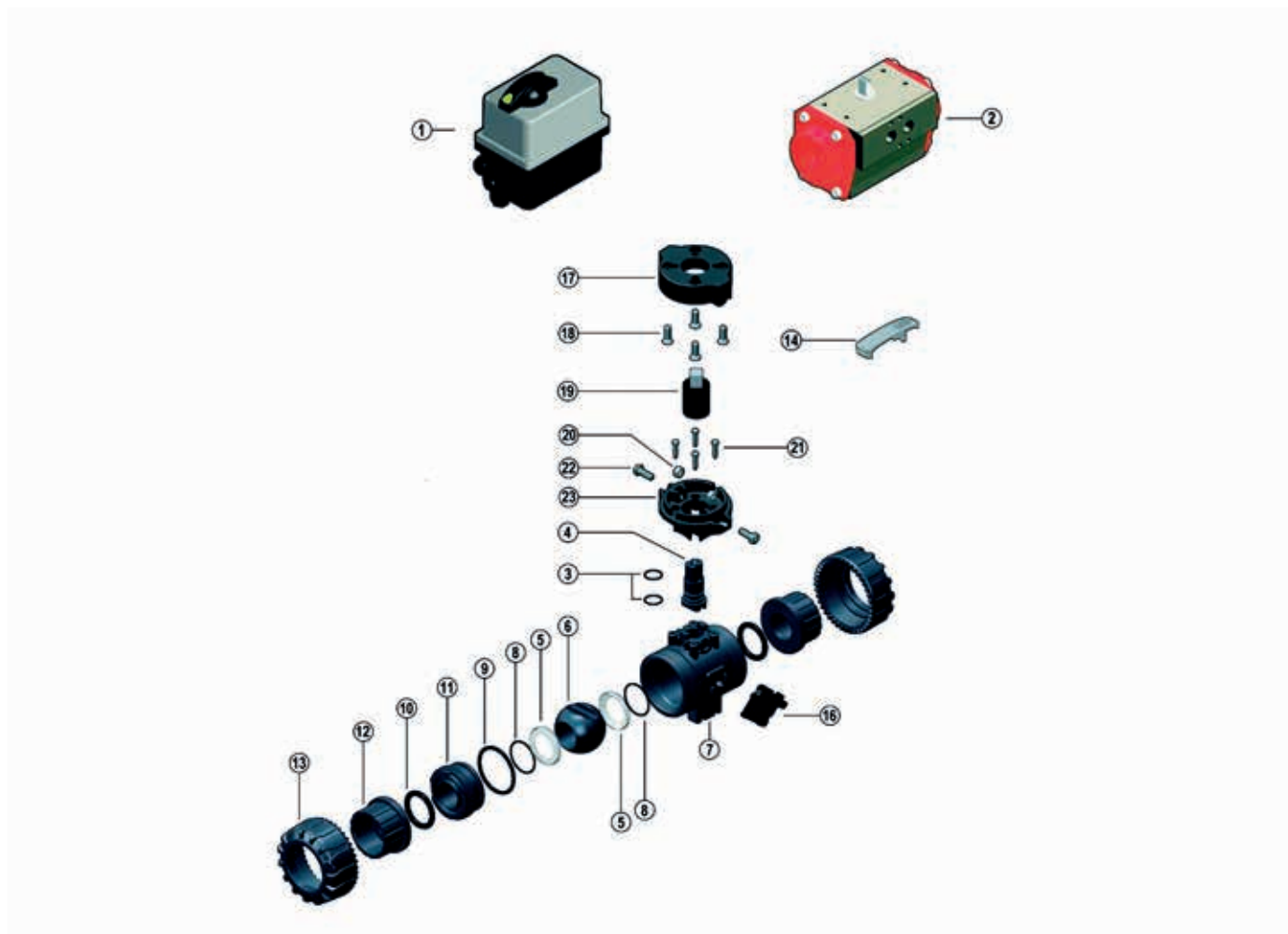
PMKD plates also allow VKD valve alignment with FIP ZIKM pipe clips as well as allowing different sizes of valves to be aligned.

d	DN	B	H	L	J*
16	10	31.5	27	20	M4 x 6
20	15	31.5	27	20	M4 x 6
25	20	40	30	20	M4 x 6
32	25	40	30	20	M4 x 6
40	32	50	35	30	M6 x 10
50	40	50	35	30	M6 x 10
63	50	60	40	30	M6 x 10

* With bracketing bushes

COMPONENTS

EXPLODED VIEW



- 1** Electric actuator (PA6-Nylon - 1)
- 2** Pneumatic actuator (Finished aluminium - 1)
- 3** Stem O-Ring (EPDM - FKM 2)*
- 4** Stem (PVC-U / PVC-C / PP-H / PVDF - 1)
- 5** Ball seal (PTFE - 2)*
- 6** Ball (PVC-U / PVC-C / PP-H / PVDF - 1)
- 7** Body (PVC-U / PVC-C / PP-H / PVDF - 1)

- 8** Ball seal O-Rings (EPDM-FKM - 2)*
- 9** Radial seal O-Ring (EPDM, FKM - 1)*
- 10** Socket seal O-Ring (EPDM-FKM - 2)*
- 11** Ball seat carrier (PVC-U / PVC-C / PP-H / PVDF - 1)
- 12** End connector (PVC-U / PVC-C / PP-H / PVDF - 2)*
- 13** Union nut (PVC-U / PVC-C / PP-H / PVDF - 2)

- 14** Handle insert (PVC-U - 1)
- 16** DUAL BLOCK® (POM - 1)
- 17** Upper plate (PP-GR - 1)
- 18** Screw (STAINLESS steel - 4)
- 19** Connection module (PP-GR/ stainless steel -1)
- 20** Nut (stainless steel - 2)
- 21** Screw (STAINLESS steel - 4)
- 22** Screw (STAINLESS steel - 2)
- 23** Lower plate (PP-GR - 1)

* Spare parts
The material the component is made of and the quantity supplied are shown in brackets

FASTENING AND SUPPORTING DISASSEMBLY

- 1) Isolate the valve from the line (release the pressure and empty the pipeline).
- 2) Disconnect the actuator from the compressed air supply and/or power mains.
- 3) Remove the two screws (22) and lift the actuator (1/2) with the upper plate (17).
- 4) Release the union nuts by pressing the lever on the DUAL BLOCK® (16) along the axis and separate it from the union nut (fig. 1-2). It is also possible to completely remove the locking device from the valve body.
- 5) Fully unscrew the union nuts (13) and extract the body sideways (7).
- 6) Before dismantling, hold the valve in a vertical position and open it 45° to drain any liquid that might remain.
- 7) After closing the valve, remove the special insert (14) and push the two projecting ends into the corresponding recesses on the ball seat carrier (11), turning counter-clockwise to extract it (fig. 3).
- 8) Press on the ball from the side opposite the "REGULAR - ADJUST" label, being sure not to scratch it, until the ball seat carrier exits (11), then extract the ball (6).
- 9) Extract the connection module (19) by pulling up.
- 10) Press the stem (4) inwards until it exits the body.
- 11) Remove the O-Ring (3, 8, 9, 10) and PTFE ball seats (5) extracting them from their grooves, as illustrated in the exploded view.

ASSEMBLY

- 1) All the O-rings (3, 8, 9, 10) must be inserted in their grooves as shown in the exploded view.
- 2) Insert the stem (4) from inside the valve body (7).
- 3) Place the PTFE ball seats (5) in the housings in the body (7) and in the ball seat carrier (11).
- 4) Insert the ball (6) rotating it to the closed position.
- 5) Screw the carrier (11) into the body and tighten up in the clockwise direction using the insert (14) to limit stop.
- 6) If previously removed, reassemble the DUAL BLOCK® system (16) on the valve body
- 7) Insert the valve between the end connectors (12) and tighten the union nuts (13) making sure that the socket seal O-rings (10) do not exit their seats.
- 8) Insert the connection module (19) on the stem (4).
- 9) Reassemble the actuator (1/2) with plate (17) on the valve making sure the ball position (6) and actuator stem are aligned.
- 10) Tighten the two screws (22) and reconnect the actuator to the pneumatic and/or power supplies.



All operations on equipment under pressure or containing compressed springs must be carried out under safe conditions for the operator.

Note: during mounting operations, it is advisable to lubricate the rubber seals. Mineral oils are not recommended for this task as they react aggressively with EPDM rubber.

The photos refer to the manual version and are purely exemplary.

Fig. 1



Fig. 2



Fig. 3



INSTALLATION

Before proceeding with installation, please follow these instructions carefully:

- 1) Check that the pipes to be connected to the valve are aligned in order to avoid mechanical stress on the threaded joints.
- 2) Check that the DUAL BLOCK® union nut locking device (16) is installed on the valve body.
- 3) To release the union nuts, axially press the release lever to separate the lock and then unscrew it in the counter-clockwise direction.
- 4) Unscrew the union nuts (13) and insert them on the pipe segments.
- 5) Solvent weld or screw the end connectors (12) onto the pipe ends.
- 6) Position the valve body between the end connectors and fully tighten the union nuts (13) manually by rotating clockwise without using wrenches or other tools that could damage the union nut surface.
- 7) Lock the union nuts by returning the DUAL BLOCK® to its housing, pressing on it until the hinges lock on the nuts.
- 8) If necessary, support the pipework with FIP pipe clips or by means of the carrier built into the valve itself (see paragraph "fastening and supporting").

The seals can be adjusted with the valve installed on the pipe by simply tightening the union nuts. This "micro adjustment", only possible with FIP valves thanks to the patented "Seat stop system", allows the seal to be recovered where PTFE ball seats are worn due to a high number of manoeuvres.

The Easytorque kit can also be used for micro adjustments (fig. 4).

Fig.4



WARNINGS

- If volatile liquid such as Hydrogen Peroxide (H₂O₂) or Sodium Hypochlorite (NaClO) is used, for safety reasons we recommend you contact the service centre. These liquids, upon vaporising, could create hazardous over pressures in the area between the body and ball.
- Always avoid sudden closing manoeuvres that can generate water hammer. For this reason, we recommend you equip pneumatic actuators with air speed reducers.



VKD/CE - VKD/CP DN 65÷100

PVC-U/PVC-C/PP-H/PVDF

ELECTRICALLY OR PNEUMATICALLY ACTUATED
TWO-WAY DUAL BLOCK® BALL VALVE



VKD/CE – VKD/CP DN 65÷100

FIP has developed a VKD DUAL BLOCK® ball valve to introduce a high reference standard in thermoplastic valve design. VKD is a True Union ball valve that meets the most stringent needs required by industrial applications.



ELECTRICALLY OR PNEUMATICALLY ACTUATED TWO-WAY DUAL BLOCK® BALL VALVE

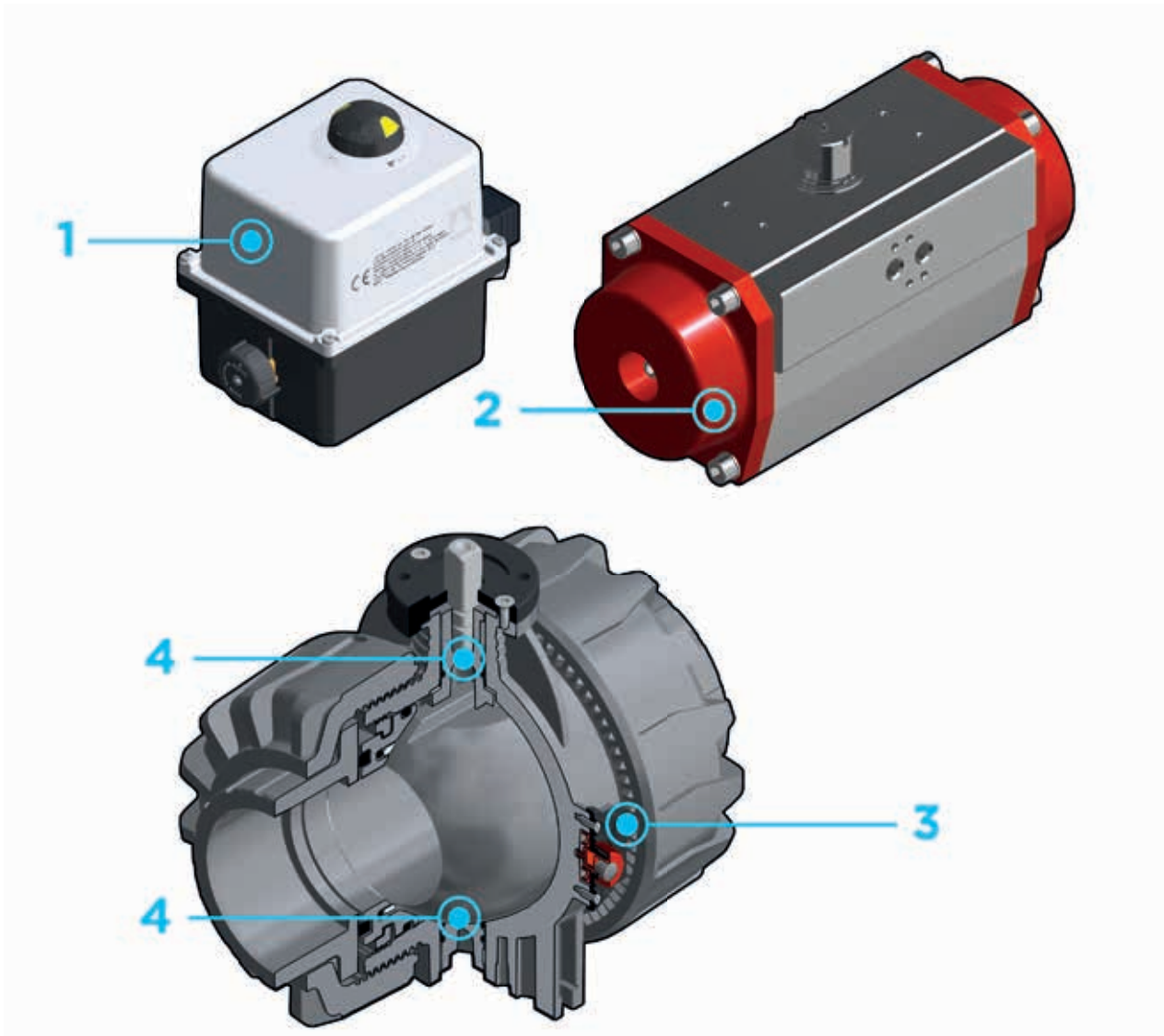
- Joint system for solvent welding (PVC-U and PVC-C only), for welding (PP-H and PVDF only), for threading and flanging
- Patented **SEAT STOP®** ball carrier system that lets you micro-adjust ball seats and minimise the axial force effect
- Easy radial disassembly allowing quick replacement of O-rings and ball seats without any need for tools
- Radial dismounting valve body (True Union) made for PVC-U, PVC-C and PP-H injection moulding equipped with built-in bores for actuation. ISO 9393 compliant test requisites
- Option of disassembling downstream pipes with the valve in the closed position
- Floating **full bore ball** with high surface finish
- **Integrated bracket** for valve anchoring
- Possibility of installing a gear box or pneumatic and/or electric actuators by applying an ISO standard bore PP-GR flange
- **Stainless steel co-moulded stem**, with square section as per ISO 5211.

Technical specifications - VKD	
Construction	2-way True Union ball valve with locked carrier and union nuts
Size range	DN 65 ÷ 100
Nominal pressure	PVC-U: PN 16 with water at 20° C PVC-C: PN16 with water at 20° C PP-H: PN10 with water at 20° C PVDF: PN16 with water at 20° C
Temperature range	PVC-U: 0 °C ÷ 60 °C PVC-C: 0° C ÷ 100° C PP-H: 0° C ÷ 100° C PVDF: -40° C ÷ 140° C
PVC-U coupling standards	Solvent welding: EN ISO 1452, EN ISO 15493, BS 4346-1, DIN 8063, NF T54-028, ASTM D 2467, JIS K 6743. Can be coupled to pipes according to EN ISO 1452, EN ISO 15493, DIN 8062, NF T54-016, ASTM D 1785, JIS K 6741. Thread: ISO 228-1, DIN 2999, ASTM D 2467, JIS B 0203. Flanging system: ISO 7005-1, EN ISO 1452, EN ISO 15493 EN 588-1, DIN 2501, ANSI B.16.5 cl.150, JIS B 2220.
PVC-C coupling standards	Solvent welding: EN ISO 15493, ASTM F 439. Can be coupled to pipes according to EN ISO 15493, ASTM F 441 Thread: ISO 228-1, DIN 2999, ASTM F 437. Flanging system: ISO 7005-1, EN ISO 15493 EN 558-1, DIN 2501, ANSI B.16.5 cl.150, JIS B 2220.
PP-H coupling standards	Welding: EN ISO 15494. Can be coupled to pipes according to EN ISO 15494 Thread: ISO 228-1, DIN 2999 Flanging system: ISO 7005-1, EN ISO 1092-1, EN ISO 15494 EN 558-1, DIN 2501, ANSI B.16.5 cl.150
PVDF coupling standards	Welding: EN ISO 10931 Can be coupled to pipes according to EN ISO 10931 Flanging system: ISO 7005-1, EN ISO 10931, EN 558-1, DIN 2501, ANSI B.16.5 cl. 150
Reference standards	PVC-U construction criteria: EN ISO 16135, EN ISO 1452, EN ISO 15493 PVC-C construction criteria: EN ISO 16135, EN ISO 15493 PP-H construction criteria: EN ISO 16135, EN ISO 15494 PVDF construction criteria: EN ISO 16135, EN ISO 10931 Test methods and requirements: ISO 9393 PVC-U/PVC-C installation criteria: DVS 2204, DVS 2221, UNI 11242 PP-H installation criteria: DVS 2202-1, DVS 2207-11, DVS 2208-1, UNI 11318 PVDF installation criteria: DVS 2202-1, DVS 2207-15, DVS 2208-1 Actuator couplings: ISO 5211
Valve material	PVC-U / PVC-C / PP-H / PVDF
Seal material	EPDM, FKM (standard size O-Rings); PTFE (ball seats)
Control options	Electric actuator; pneumatic actuator

In addition to the manually actuated version, VKD is also available in VKD/CE electrically actuated and VKD/CP pneumatically actuated configurations. Actuators are firmly connected to the valve by the special FIP Power Quick modules fully made of PP-GR technopolymer. VKD/CE and VKD/CP are constructed with actuators meeting current regulations and selected by FIP according to their quality and reliability requirements. The efficiency of these valves, tested according to the company's quality standards, is guaranteed by the expertise and know-how that FIP dedicates to manufacturing its products.

Technical specifications - Electric actuator	
Reference standards	Construction criteria: Electromagnetic compatibility EMC 2004/108/CE. Low voltage directive 2006/95/CE. Machinery directive 2006/42/CE. R.O.H.S. directive 2011/65/CE Coupling for valves: ISO 5211; DIN 3337
Actuator material	Plastic parts: PA6,6 FV 30% and Nylon. Metallic parts: 304L stainless steel or steel + tin-plating
Supply Voltage	12V DC* - 24V AC/DC - 90-240V DC - 400V three-phase* *voltages available upon request
Temperature range	From -10 °C to +55 °C
Standard equipment	<ul style="list-style-type: none"> • Manual safety override • Visual position indicator • Two auxiliary limit switches (5A) adjustable FC1, FC2 • Torque limiter (12V DC) • Anti-condensation heating element (12V DC)
Accessories	<ul style="list-style-type: none"> • Positioner board 4-20 mA or 0-10V DC • Fail Safe unit • Anti-condensation heating element • Feedback potentiometer 100 - 1000 - 5000 - 10000 Ohm • 4-20 mA position transmitter • Kit with additional pair of auxiliary limit switches
Special versions upon request	<ul style="list-style-type: none"> • CEI34 50% service • Protection class IP68 or ATEX II 2 GD EEx d IIB T6 • Different operating times
Electrical connection	<ul style="list-style-type: none"> • Power supply: DIN 43650 connector 3P + GND • Limit switch: Cable gland ISO M20

Technical specifications - Pneumatic actuator	
Reference standards	Construction criteria: Machinery directive 2006/42/CE R.O.H.S. directive 2011/65/CE EN 15714-3 Coupling for valves: ISO 5211, DIN 3337 Compressed air connections: NAMUR VDI\VDE-3845 Top connections for accessories: NAMUR VDI\VDE-3845
Actuator material	Body: hard coat anodised extruded aluminium. IP67 Bonnet: polyester powder painted aluminium alloy Pinion: nickel-plated carbon steel Other materials available upon request
Control air pressure	From 5 to 8 bar. Pmax= 10 bar Reduced control pressure executions available upon request
Power supply	Dry or lubricated filtered compressed air. If using other fluids, contact the FIP service centre
Temperature range	From -20 °C to +80 °C
Accessories	<ul style="list-style-type: none"> • Optical position indicator • LSQT electromechanical and PNP inductive limit switch boxes (Namur upon request) • Electric-pneumatic positioner 4-20 mA • 3-5/2 way pilot solenoid valves
Available options	Body and bonnet with PTFE, AISI 316 or AISI 316 coating with mirror polishing. 304 or 316 stainless steel pinion.



1 Electric actuator constructed according to FIP specifications with plastic shell and standard emergency override. Available with voltages from 12 to 240V.

2 Rack & pinion type pneumatic actuator constructed according to FIP specifications: fully protected against weather corrosion

available in double-acting (DA) or simple-acting normally closed (NC) or normally open (NO) versions.

3 **DUAL BLOCK®** patented lock system that ensures union nut tightening hold even in severe conditions such as vibrations or heat dilation.

4 **Double stem** with double O-Rings for ball centring and operating torque reduction. The upper stem is also equipped with a co-moulded steel insert that guarantees high durability and perfect torque transmission between the actuator and ball.

TECHNICAL DATA

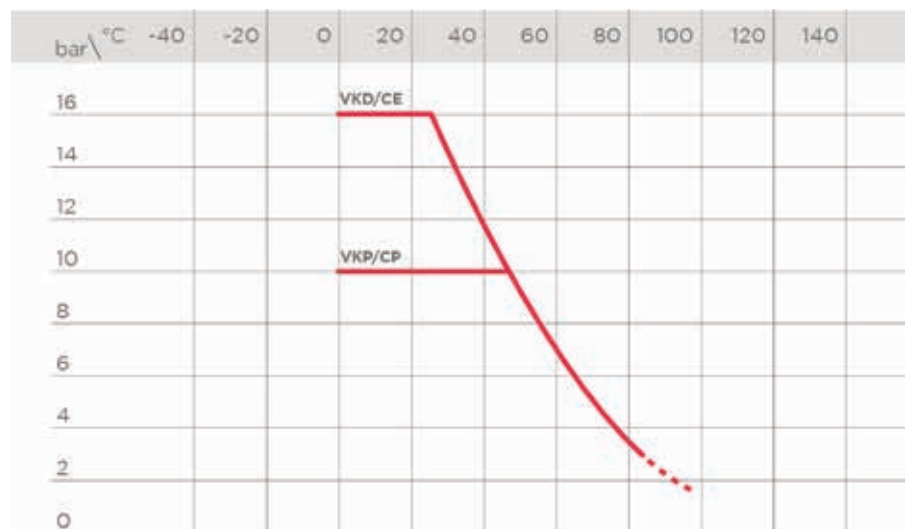
PRESSURE VARIATION ACCORDING TO TEMPERATURE

PVC-U BODY

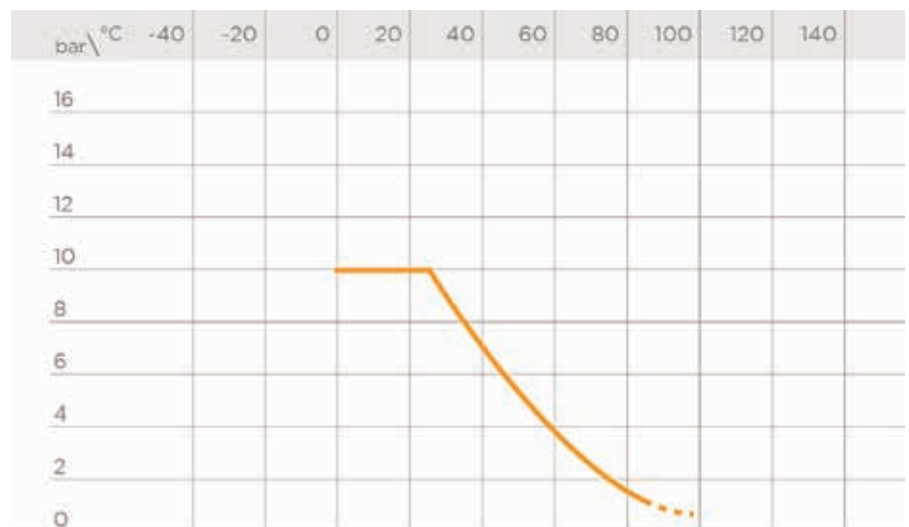
For water and non-hazardous fluids with regard to which the material is classified as CHEMICALLY RESISTANT. In other cases, a reduction of the nominal pressure PN is required (25 years with safety factor).



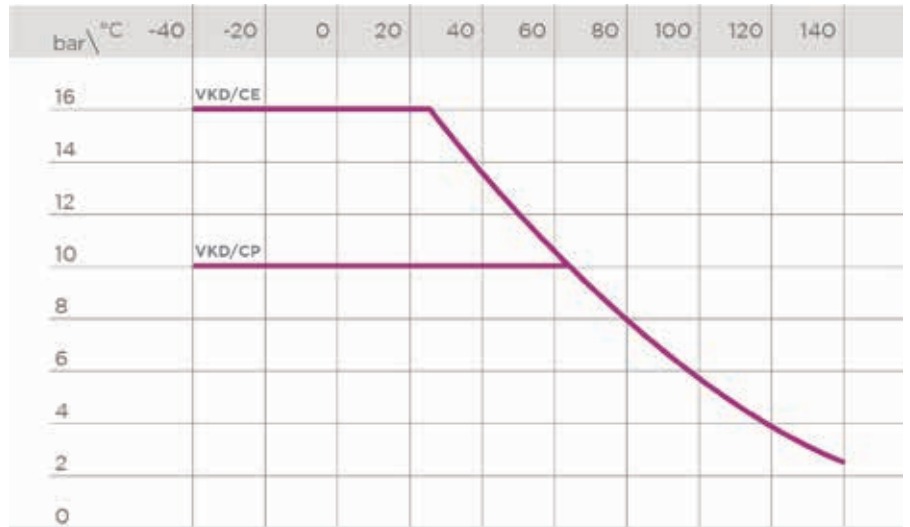
PVC-C BODY



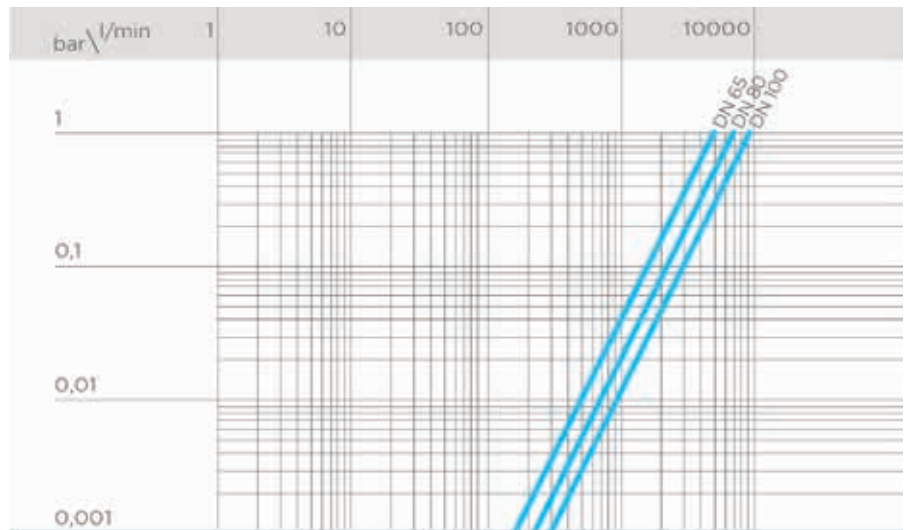
PP-H BODY



PVDF BODY



PRESSURE DROP GRAPH



K_{V100} FLOW COEFFICIENT

The K_{V100} flow coefficient is the Q flow of litres per minute of water at a temperature of 20°C that will generate $\Delta p = 1$ bar pressure drop at a certain valve position.

The K_{V100} values shown in the table are calculated with the valve completely open.

DN	65	80	100
K_{V100} l/min	5250	7100	9500

ELECTRIC ACTUATOR DATA

DN 65÷80 FUNCTIONAL CHARACTERISTICS

Characteristics	DC	AC/DC	AC
Power supply	*12V	24V	90÷240V
Power	45W	45W	45W
Max operating time	12 s	13 s	15 s
IEC34 service	50%	30%	30%
Protection class	IP66	IP65	IP65
Frequency	-	50/60 Hz	50/60 Hz

*Upon request

DN 100

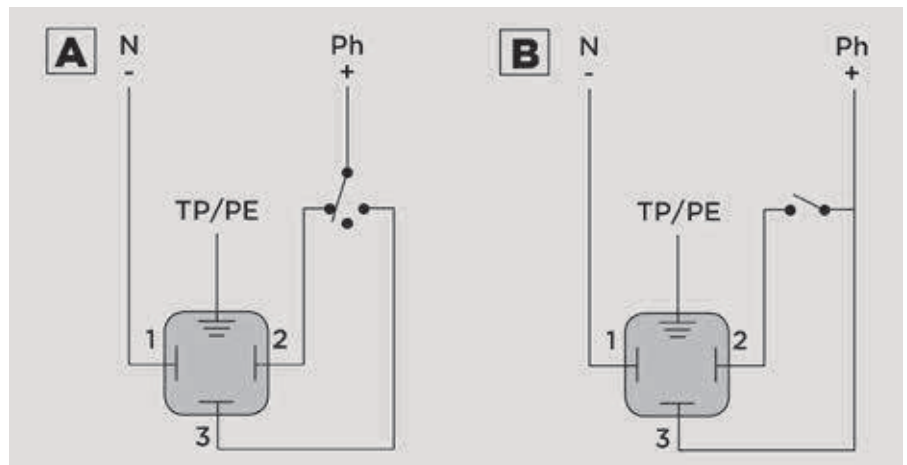
Characteristics	DC	AC/DC	AC
Power supply	*12V	24V	90÷240V
Power	45W	45W	45W
Max operating time	22 s	22 s	25 s
IEC34 service	50%	30%	30%
Protection class	IP66	IP65	IP65
Frequency	-	50/60 Hz	50/60 Hz

*Upon request

POWER CONNECTION DIAGRAM

- 1 Shared
- 2 Open
- 3 Closed

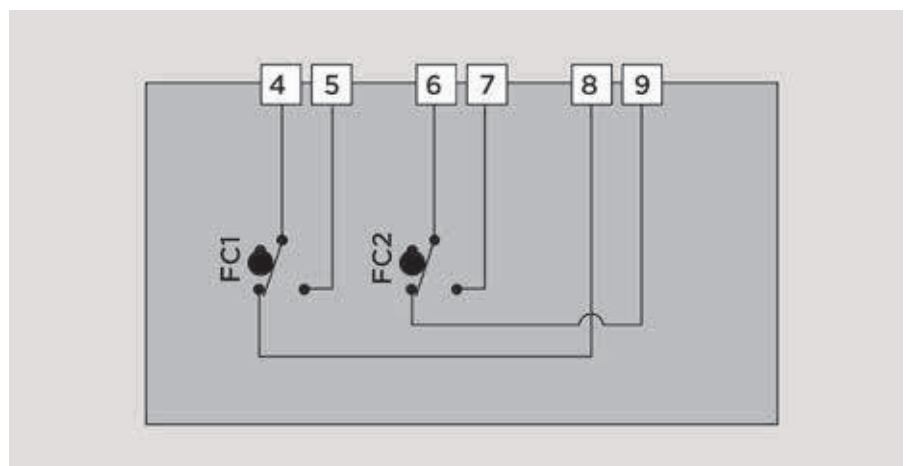
- A 3-point connection
- B ON/OFF connection



AUXILIARY LIMIT SWITCH CONNECTION DIAGRAM

- FC1 Open auxiliary limit switch
- FC2 Close auxiliary limit switch

- 4 Shared FC1
- 5 Open FC1
- 6 Shared FC2
- 7 Open FC2
- 8 Close FC1
- 9 Close FC2



PNEUMATIC ACTUATOR DATA

FUNCTIONAL CHARACTERISTICS

Function type	double-acting	Normally closed (NC)	Normally Open (NO)
Valve opening	air	air	spring
Valve closing	air	spring	air

ACTUATOR CAPACITY

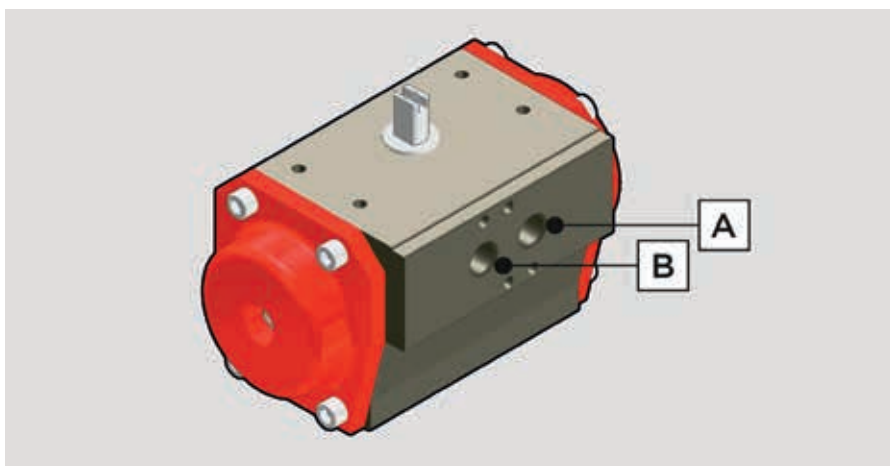
L: litre, equivalent to 10^{-3} m^3

Air consumption in normal litres (or normal cubic metres) per operating cycle can be calculated by correcting according to operating conditions such as control air pressure.

DN	65	80	100
DA	0.45 L	0.61 L	0.98 L
SA (NC-NO)	0.244 L	0.392 L	0.72 L

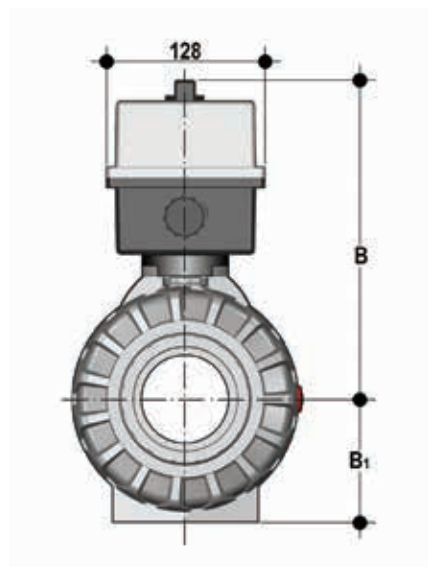
COMPRESSED AIR CONNECTIONS

Function type	Double-acting (DA)	Normally closed (NC)	Normally Open (NO)
Valve opening	Inlet A	Inlet A	-
Valve closing	Inlet B	-	Inlet A



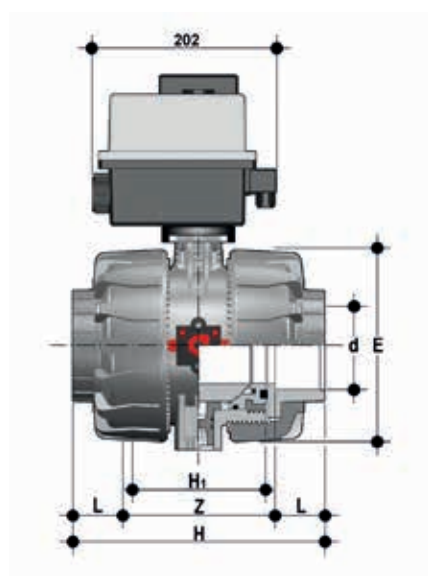
DIMENSIONS

VKD/CE DN 65÷100 PVC-U



Dimensions common to all versions

DN	B	B ₁
65	295	87
80	308	105
100	325	129



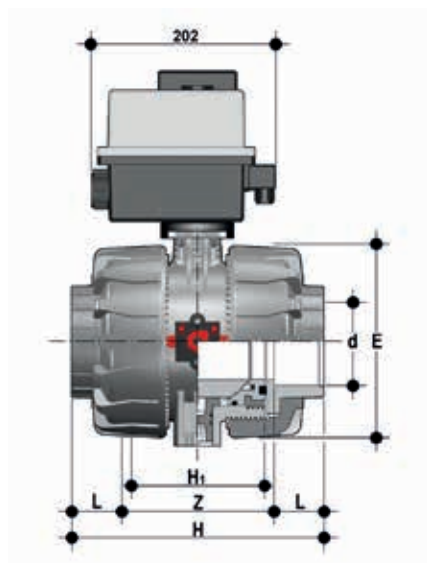
VKDIV/CE 90-240 V AC

DUAL BLOCK® ball valve with female ends for solvent welding, metric series with multi-volt electric actuator 90-240 V AC 50-60 Hz

d	DN	PN	E	H	H ₁	L	Z	g	EPDM Code	FKM Code
75	65	16	164	235	133	44	147	6800	VKDIVEM075E	VKDIVEM075F
90	80	16	203	270	149	51	168	9620	VKDIVEM090E	VKDIVEM090F
110	100	16	238	308	167	61	186	13460	VKDIVEM110E	VKDIVEM110F

DIMENSIONS

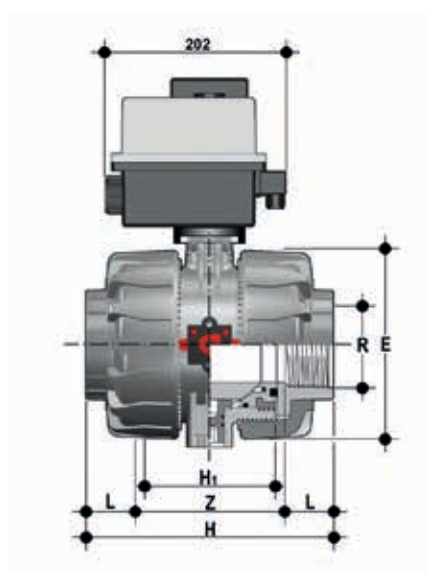
VKD/CE DN 65÷100 PVC-U



VKDIV/CE 24 V AC/DC

DUAL BLOCK® ball valve with female ends for solvent welding, metric series with electric actuator 24 V AC/DC

d	DN	PN	E	H	H ₁	L	Z	g	EPDM Code	FKM Code
75	65	16	164	235	133	44	147	6800	VKDIVEL075E	VKDIVEL075F
90	80	16	203	270	149	51	168	9620	VKDIVEL090E	VKDIVEL090F
110	100	16	238	308	167	61	186	13460	VKDIVEL110E	VKDIVEL110F



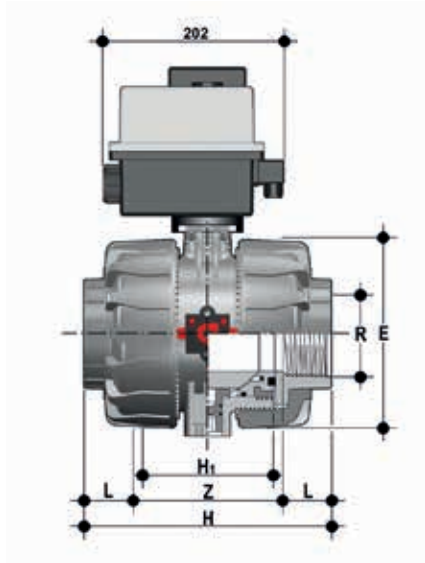
VKDFV/CE 90-240 V AC

DUAL BLOCK® ball valve with female ends, gas cylinder thread with multi-volt electric actuator 90-240 V AC 50-60 Hz

R	DN	PN	E	H	H ₁	L	Z	g	EPDM Code	FKM Code
2"1/2	65	16	164	235	133	30.2	174.6	6800	VKDFVEM212E	VKDFVEM212F
3"	80	16	203	270	149	33.3	203.4	9620	VKDFVEM300E	VKDFVEM300F
4"	100	16	238	308	167	39.3	229.4	13460	VKDFVEM400E	VKDFVEM400F

DIMENSIONS

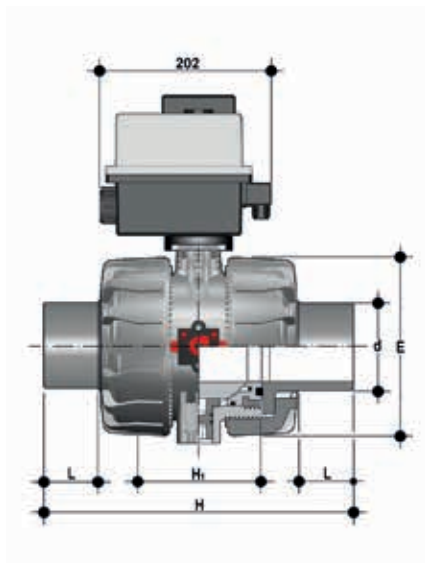
VKD/CE DN 65÷100 PVC-U



VKDFV/CE 24 V AC/DC

DUAL BLOCK® ball valve with female ends, gas cylinder thread with electric actuator 24 V AC/DC

R	DN	PN	E	H	H ₁	L	Z	g	EPDM Code	FKM Code
2"1/2	65	16	164	235	133	30.2	174.6	6800	VKDFVEL212E	VKDFVEL212F
3"	80	16	203	270	149	33.3	203.4	9620	VKDFVEL300E	VKDFVEL300F
4"	100	16	238	308	167	39.3	229.4	13460	VKDFVEL400E	VKDFVEL400F



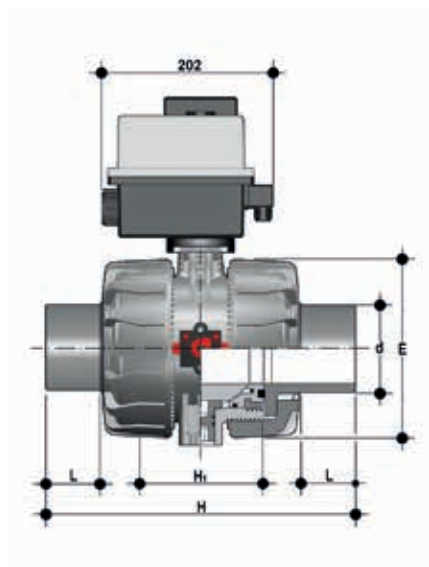
VKDDV/CE 90-240 V AC

DUAL BLOCK® ball valve with male ends for solvent welding, metric series with multi-volt electric actuator 90-240 V AC 50-60 Hz

d	DN	PN	E	H	H ₁	L	g	EPDM Code	FKM Code
75	65	16	164	284	133	44	6800	VKDDVEM075E	VKDDVEM075F
90	80	16	203	300	149	51	9620	VKDDVEM090E	VKDDVEM090F
110	100	16	238	340	167	61	13460	VKDDVEM110E	VKDDVEM110F

DIMENSIONS

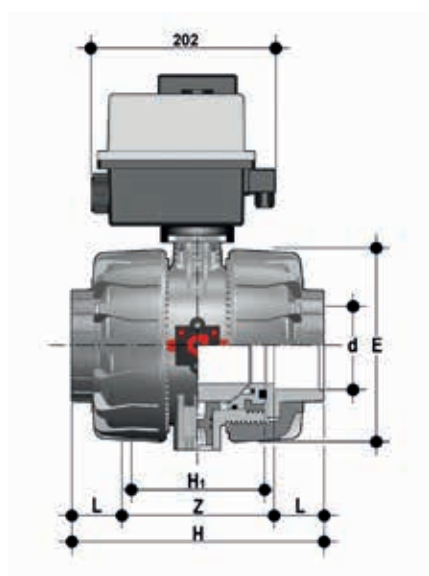
VKD/CE DN 65÷100 PVC-U



VKDDV/CE 24 V AC/DC

DUAL BLOCK® ball valve with male ends for solvent welding, metric series with electric actuator 24 V AC/DC

d	DN	PN	E	H	H ₁	L	g	EPDM Code	FKM Code
75	65	16	164	284	133	44	6800	VKDDVEL075E	VKDDVEL075F
90	80	16	203	300	149	51	9620	VKDDVEL090E	VKDDVEL090F
110	100	16	238	340	167	61	13460	VKDDVEL110E	VKDDVEL110F



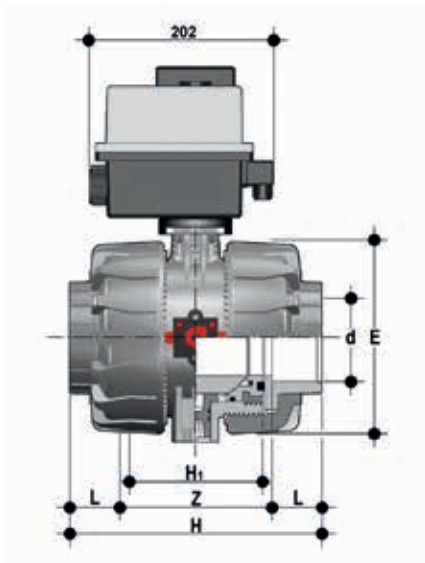
VKDLV/CE 90-240 V AC

Two way DUAL BLOCK® ball valve with female ends for solvent welding, BS series with multi-volt electric actuator 90-240 V AC 50-60 Hz

d	DN	PN	E	H	H ₁	L	Z	g	EPDM Code	FKM Code
2"1/2	65	16	164	235	133	44	147	6800	VKDLVEM212E	VKDLVEM212F
3"	80	16	203	270	149	51	168	9620	VKDLVEM300E	VKDLVEM300F
4"	100	16	238	308	167	63	186	13460	VKDLVEM400E	VKDLVEM400F

DIMENSIONS

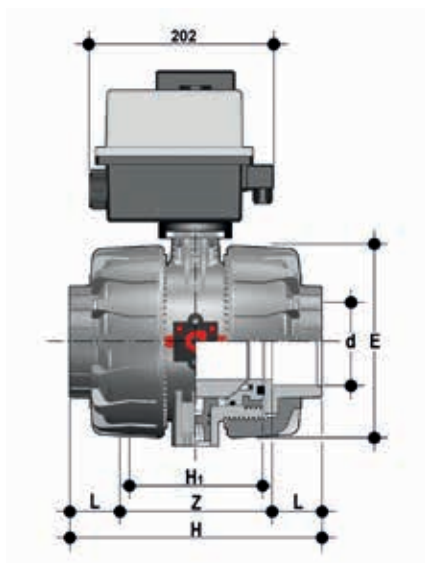
VKD/CE DN 65÷100 PVC-U



VKDLV/CE 24 V AC/DC

Two way DUAL BLOCK® ball valve with female ends for solvent welding, BS series with electric actuator 24 V AC/DC

d	DN	PN	E	H	H ₁	L	Z	g	EPDM Code	FKM Code
2"1/2	65	16	164	235	133	44	147	6800	VKDLVEL212E	VKDLVEL212F
3"	80	16	203	270	149	51	168	9620	VKDLVEL300E	VKDLVEL300F
4"	100	16	238	308	167	63	186	13460	VKDLVEL400E	VKDLVEL400F



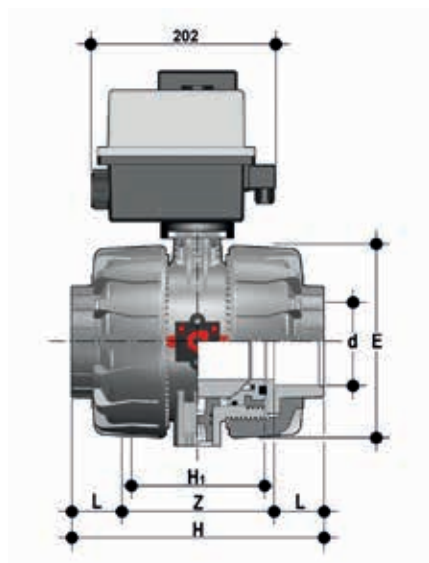
VKDAV/CE 90-240 V AC

Two way DUAL BLOCK® ball valve with female ends for solvent welding, ASTM series with multi-volt electric actuator 90-240 V AC 50-60 Hz

d	DN	PN	E	H	H ₁	L	Z	g	EPDM Code	FKM Code
2"1/2	65	16	164	235	133	44.5	146	6800	VKDAVEM212E	VKDAVEM212F
3"	80	16	203	270	149	48	174	9620	VKDAVEM300E	VKDAVEM300F
4"	100	16	238	308	167	57.5	193	13460	VKDAVEM400E	VKDAVEM400F

DIMENSIONS

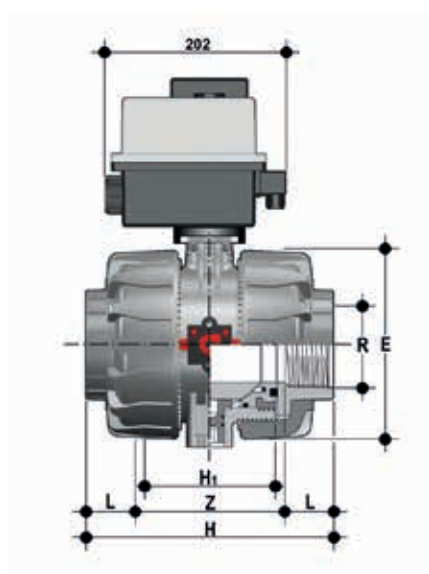
VKD/CE DN 65÷100 PVC-U



VKDAV/CE 24 V AC/DC

Two way DUAL BLOCK® ball valve with female ends for solvent welding, ASTM series with electric actuator 24V AC/DC

d	DN	PN	E	H	H ₁	L	Z	g	EPDM Code	FKM Code
2"1/2	65	16	164	235	133	44.5	146	6800	VKDAVEL212E	VKDAVEL212F
3"	80	16	203	270	149	48	174	9620	VKDAVEL300E	VKDAVEL300F
4"	100	16	238	308	167	57.5	193	13460	VKDAVEL400E	VKDAVEL400F



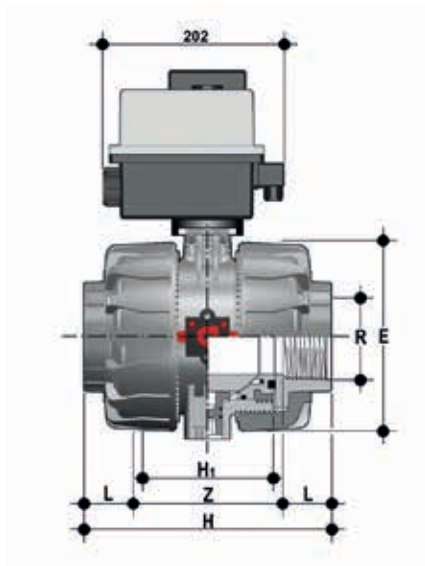
VKDNV/CE 90-240 V AC

Two way DUAL BLOCK® ball valve with NPT thread female ends with multi-volt electric actuator 90-240 V AC 50-60 Hz

R	DN	PN	E	H	H ₁	L	Z	g	EPDM Code	FKM Code
2"1/2	65	16	164	235	133	30.2	174.6	6800	VKDNVEM212E	VKDNVEM212F
3"	80	16	203	270	149	33.3	203.4	9620	VKDNVEM300E	VKDNVEM300F
4"	100	16	238	308	167	39.3	229.4	13460	VKDNVEM400E	VKDNVEM400F

DIMENSIONS

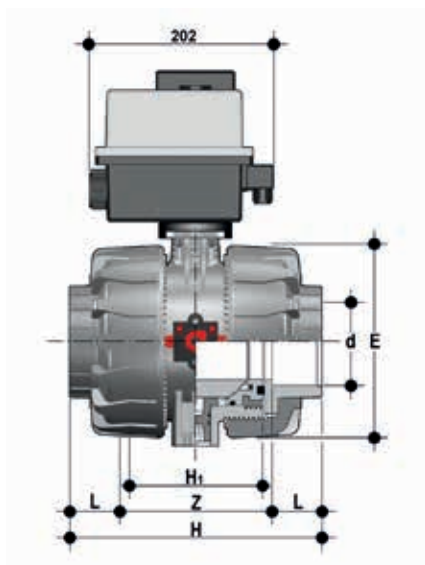
VKD/CE DN 65÷100 PVC-U



VKDNV/CE 24 V AC/DC

Two way DUAL BLOCK® ball valve with NPT thread female ends with electric actuator 24V AC/DC

R	DN	PN	E	H	H ₁	L	Z	g	EPDM Code	FKM Code
2"1/2	65	16	164	235	133	30.2	174.6	6800	VKDNVEL212E	VKDNVEL212F
3"	80	16	203	270	149	33.3	203.4	9620	VKDNVEL300E	VKDNVEL300F
4"	100	16	238	308	167	39.3	229.4	13460	VKDNVEL400E	VKDNVEL400F



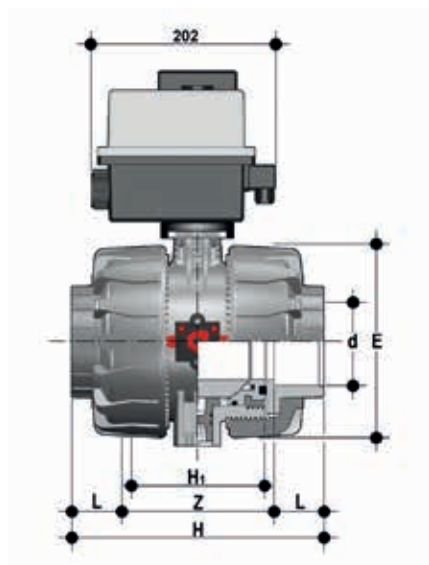
VKDJV/CE 90-240 V AC

Two way DUAL BLOCK® ball valve with female ends for solvent welding, JIS series with multi-volt electric actuator 90-240 V AC 50-60 Hz

d	DN	PN	E	H	H ₁	L	Z	g	EPDM Code	FKM Code
2"1/2	65	16	164	267	133	61	145	6800	VKDJVEM212E	VKDJVEM212F
3"	80	16	203	294	149	65	165	9620	VKDJVEM300E	VKDJVEM300F
4"	100	16	238	370	167	84	202	13460	VKDJVEM400E	VKDJVEM400F

DIMENSIONS

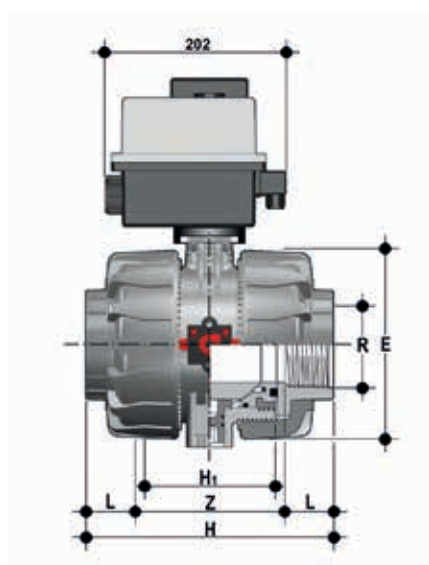
VKD/CE DN 65÷100 PVC-U



VKDJV/CE 24 V AC/DC

Two way DUAL BLOCK® ball valve with female ends for solvent welding, JIS series with electric actuator 24V AC/DC

d	DN	PN	E	H	H ₁	L	Z	g	EPDM Code	FKM Code
2"1/2	65	16	164	267	133	61	145	6800	VKDJVVEL212E	VKDJVVEL212F
3"	80	16	203	294	149	65	165	9620	VKDJVVEL300E	VKDJVVEL300F
4"	100	16	238	370	167	84	202	13460	VKDJVVEL400E	VKDJVVEL400F



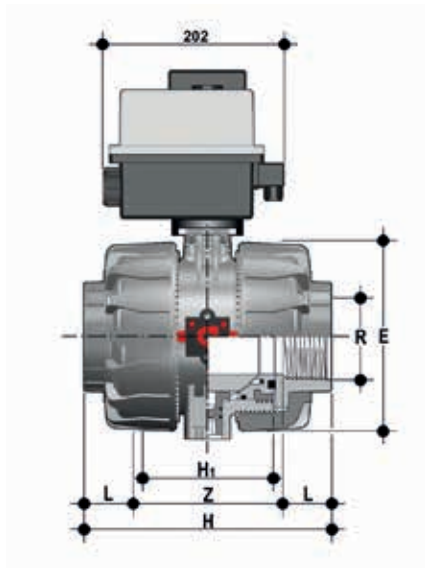
VKDGV/CE 90-240 V AC

Two way DUAL BLOCK® ball valve with JIS thread female ends with multi-volt electric actuator 90-240 V AC 50-60 Hz

R	DN	PN	E	H	H ₁	L	Z	g	EPDM Code	FKM Code
2"1/2	65	16	164	235	133	35	165	6800	VKDGVEM212E	VKDGVEM212F
3"	80	16	203	270	149	40	190	9620	VKDGVEM300E	VKDGVEM300F
4"	100	16	238	308	167	45	218	13460	VKDGVEM400E	VKDGVEM400F

DIMENSIONS

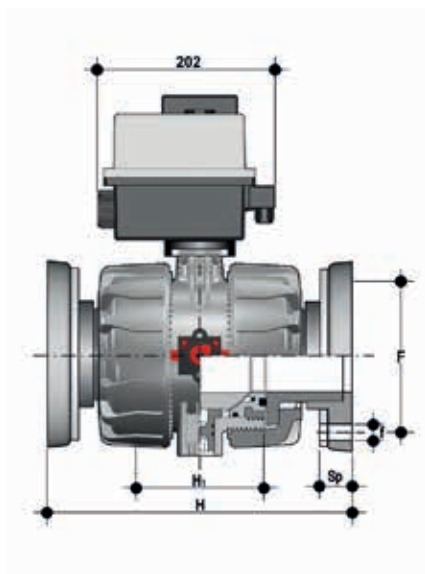
VKD/CE DN 65÷100 PVC-U



VKDG V/CE 24 V AC/DC

Two way DUAL BLOCK® ball valve with JIS thread female ends with electric actuator 24V AC/DC

R	DN	PN	E	H	H ₁	L	Z	g	EPDM Code	EPDM Code
2"1/2	65	16	164	235	133	35	165	6800	VKDGVEL212E	VKDGVEL212F
3"	80	16	203	270	149	40	190	9620	VKDGVEL300E	VKDGVEL300F
4"	100	16	238	308	167	45	218	13460	VKDGVEL400E	VKDGVEL400F



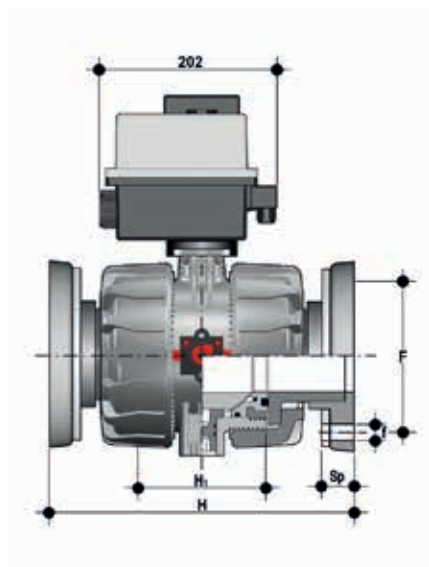
VKDOV/CE 90-240 V AC

DUAL BLOCK® Ball Valve with fixed flanges EN/ISO/DIN PN 10/16, face to face dimensions as per EN 558-1 with multi-volt electric actuator 90-240 V AC 50-60 Hz

d	DN	PN	H	H ₁	F	f	U	Sp	g	EPDM Code	FKM Code
75	65	16	290	133	145	17	4	21	9030	VKDOVEM075E	VKDOVEM075F
90	80	16	310	149	160	17	8	21.5	11750	VKDOVEM090E	VKDOVEM090F
110	100	16	350	167	180	17	8	21.5	16135	VKDOVEM110E	VKDOVEM110F

DIMENSIONS

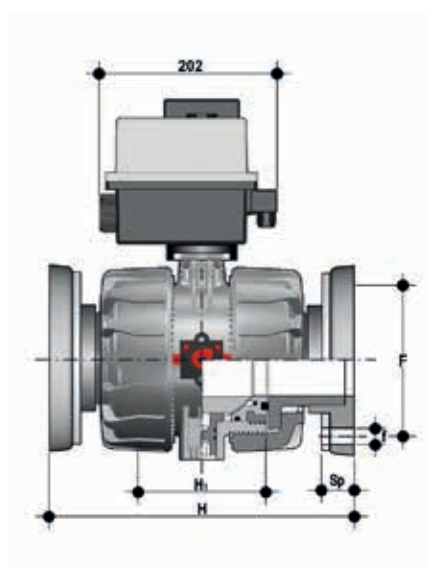
VKD/CE DN 65÷100 PVC-U



VKDOV/CE 24 V AC/DC

DUAL BLOCK® Ball Valve with fixed flanges EN/ISO/DIN PN 10/16, face to face dimensions as per EN 558-1 with electric actuator 24 V AC/DC

d	DN	PN	H	H ₁	F	f	U	Sp	g	EPDM Code	FKM Code
75	65	16	290	133	145	17	4	21	9030	VKDOVEL075E	VKDOVEL075F
90	80	16	310	149	160	17	8	21.5	11750	VKDOVEL090E	VKDOVEL090F
110	100	16	350	167	180	17	8	21.5	16135	VKDOVEL110E	VKDOVEL110F



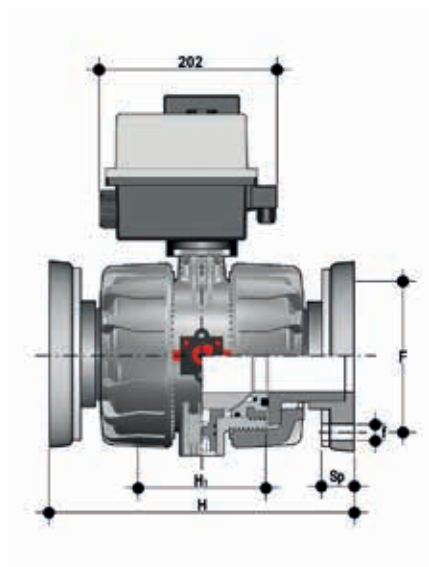
VKDOAV/CE 90-240 V AC

DUAL BLOCK® ball valve with fixed flanges, drilled ANSI B16.5 cl.150#FF with multi-volt electric actuator 90-240 V AC 50-60 Hz

d	DN	PN	H	H ₁	F	f	U	Sp	g	EPDM Code	FKM Code
2 1/2"	65	16	290	133	139.7	18	4	21	9030	VKDOVEM075E	VKDOVEM075F
3"	80	16	310	149	152.4	18	8	21.5	11750	VKDOVEM090E	VKDOVEM090F
4"	100	16	350	167	190.5	18	8	21.5	16135	VKDOVEM110E	VKDOVEM110F

DIMENSIONS

VKD/CE DN 65÷100 PVC-U



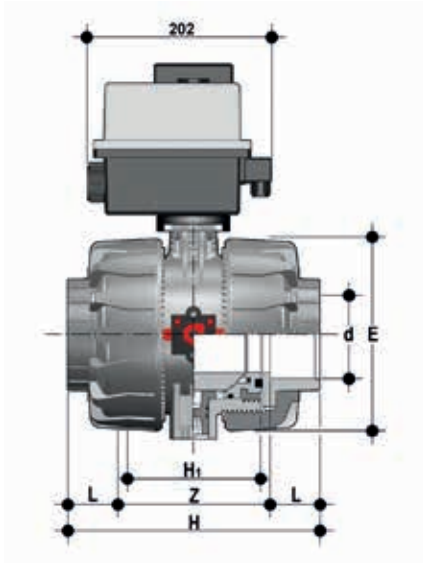
VKDOAV/CE 24 V AC/DC

DUAL BLOCK® ball valve with fixed flanges drilled ANSI B16.5 cl.150#FF with electric actuator 24 V AC/DC

d	DN	PN	H	H ₁	F	f	U	Sp	g	EPDM Code	FKM Code
2"1/2	65	16	290	133	139.7	18	4	21	9030	VKDOVEL075E	VKDOVEL075F
3"	80	16	310	149	152.4	18	8	21.5	11750	VKDOVEL090E	VKDOVEL090F
4"	100	16	350	167	190.5	18	8	21.5	16135	VKDOVEL110E	VKDOVEL110F

DIMENSIONS

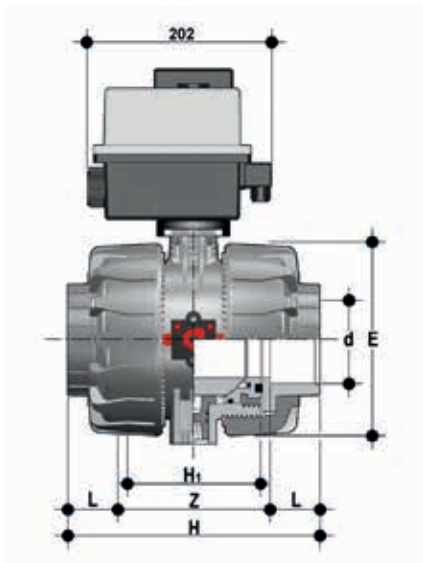
VKD/CE DN 65÷100 PVC-C



VKDIC/CE 90-240 V AC

DUAL BLOCK® ball valve with female ends for solvent welding, metric series with multi-volt electric actuator 90-240 V AC 50-60 Hz

d	DN	PN	E	H	H ₁	L	Z	g	EPDM Code	FKM Code
75	65	16	164	235	133	44	147	7170	VKDICEM075E	VKDICEM075F
90	80	16	203	270	149	51	168	10258	VKDICEM090E	VKDICEM090F
110	100	16	238	308	167	61	186	14457	VKDICEM110E	VKDICEM110F



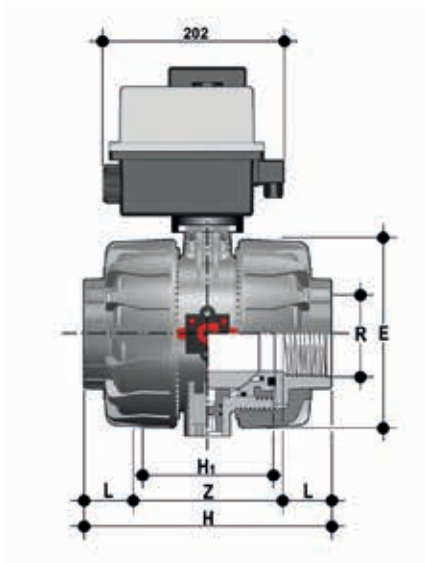
VKDIC/CE 24 V AC/DC

DUAL BLOCK® ball valve with female ends for solvent welding, metric series with electric actuator 24 V AC/DC

d	DN	PN	E	H	H ₁	L	Z	g	EPDM Code	FKM Code
75	65	16	164	235	133	44	147	7170	VKDICEL075E	VKDICEL075F
90	80	16	203	270	149	51	168	10258	VKDICEL090E	VKDICEL090F
110	100	16	238	308	167	61	186	14457	VKDICEL110E	VKDICEL110F

DIMENSIONS

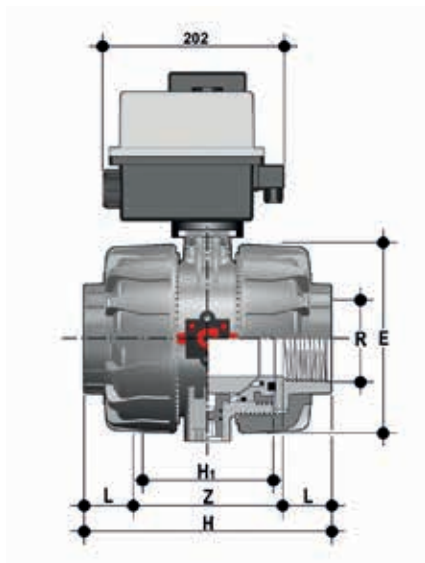
VKD/CE DN 65÷100 PVC-C



VKDNC/CE 90-240 V AC

Two way DUAL BLOCK® ball valve with NPT thread female ends with multi-volt electric actuator 90-240 V AC 50-60 Hz

R	DN	PN	E	H	H ₁	L	Z	g	EPDM Code	FKM Code
2"1/2	65	16	164	235	133	30.2	174.6	7170	VKDNCCEM212E	VKDNCCEM212F
3"	80	16	203	270	149	33.3	203.4	10258	VKDNCCEM300E	VKDNCCEM300F
4"	100	16	238	308	167	39.3	229.4	14457	VKDNCCEM400E	VKDNCCEM400F



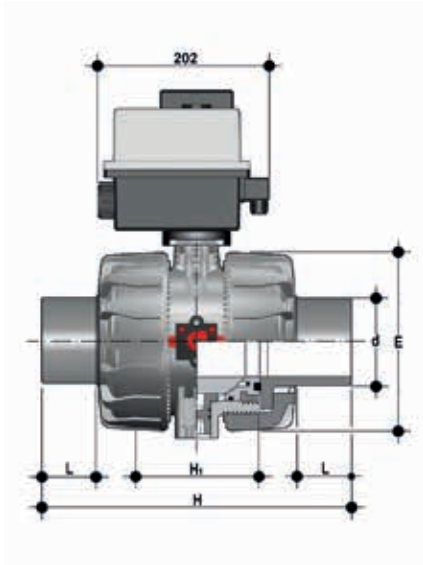
VKDNC/CE 24 V AC/DC

Two way DUAL BLOCK® ball valve with NPT thread female ends with electric actuator 24 V AC/ DC

R	DN	PN	E	H	H ₁	L	Z	g	EPDM Code	FKM Code
2"1/2	65	16	164	235	133	30.2	174.6	7170	VKDNCCEL212E	VKDNCCEL212F
3"	80	16	203	270	149	33.3	203.4	10258	VKDNCCEL300E	VKDNCCEL300F
4"	100	16	238	308	167	39.3	229.4	14457	VKDNCCEL400E	VKDNCCEL400F

DIMENSIONS

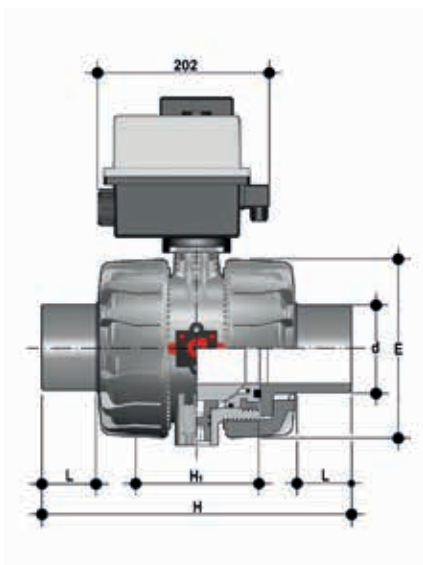
VKD/CE DN 65÷100 PVC-C



VKDDC/CE 90-240 V AC

DUAL BLOCK® ball valve with male ends for solvent welding, metric series with multi-volt electric actuator 90-240 V AC 50-60 Hz

d	DN	PN	E	H	H ₁	L	g	EPDM Code	FKM Code
75	65	16	164	284	133	44	7170	VKDDCEM075E	VKDDCEM075F
90	80	16	203	300	149	51	10258	VKDDCEM090E	VKDDCEM090F
110	100	16	238	340	167	61	14457	VKDDCEM110E	VKDDCEM110F



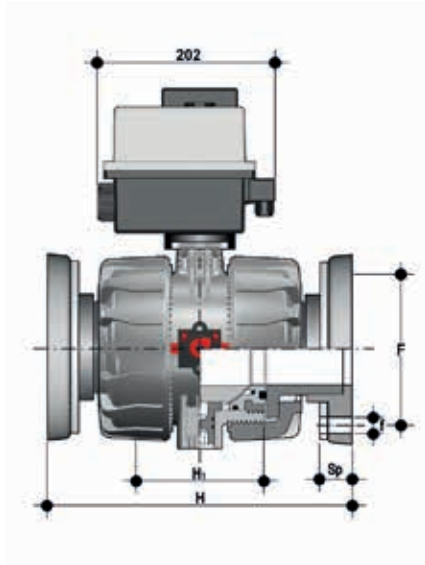
VKDDC/CE 24 V AC/DC

DUAL BLOCK® ball valve with male ends for solvent welding, metric series with electric actuator 24 V AC/DC

d	DN	PN	E	H	H ₁	L	g	EPDM Code	FKM Code
75	65	16	164	284	133	44	7170	VKDDCEL075E	VKDDCEL075F
90	80	16	203	300	149	51	10258	VKDDCEL090E	VKDDCEL090F
110	100	16	238	340	167	61	14457	VKDDCEL110E	VKDDCEL110F

DIMENSIONS

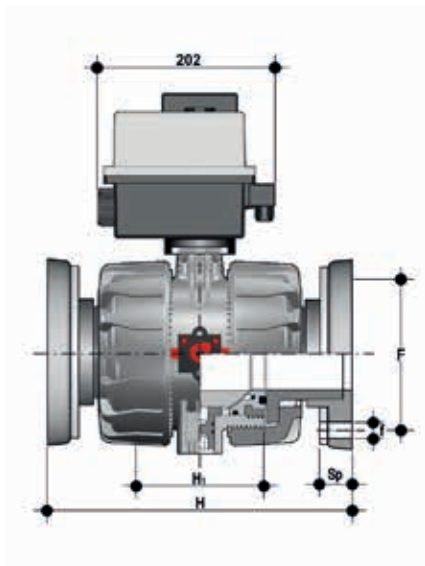
VKD/CE DN 65÷100 PVC-C



VKDOC/CE 90-240 V AC

DUAL BLOCK® Ball Valve with fixed flanges, drilled EN/ISO/DIN PN 10/16, face to face dimensions as per EN 558-1 with multi-volt electric actuator 90-240 V AC 50-60 Hz

d	DN	PN	H	H ₁	F	f	U	Sp	g	EPDM Code	FKM Code
75	65	16	290	133	145	17	4	21	9657	VKDOCEM075E	VKDOCEM075F
90	80	16	310	149	160	17	8	21.5	12635	VKDOCEM090E	VKDOCEM090F
110	100	16	350	167	180	17	8	21.5	17446	VKDOCEM110E	VKDOCEM110F



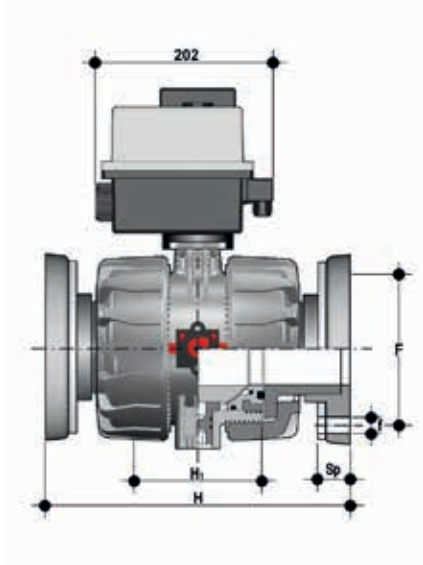
VKDOC/CE 24 V AC/DC

DUAL BLOCK® Ball Valve with fixed flanges, drilled EN/ISO/DIN PN 10/16, face to face dimensions as per EN 558-1 with electric actuator 24 V AC/DC

d	DN	PN	H	H ₁	F	f	U	Sp	g	EPDM Code	FKM Code
75	65	16	290	133	145	17	4	21	9657	VKDOCEL075E	VKDOCEL075F
90	80	16	310	149	160	17	8	21.5	12635	VKDOCEL090E	VKDOCEL090F
110	100	16	350	167	180	17	8	21.5	17446	VKDOCEL110E	VKDOCEL110F

DIMENSIONS

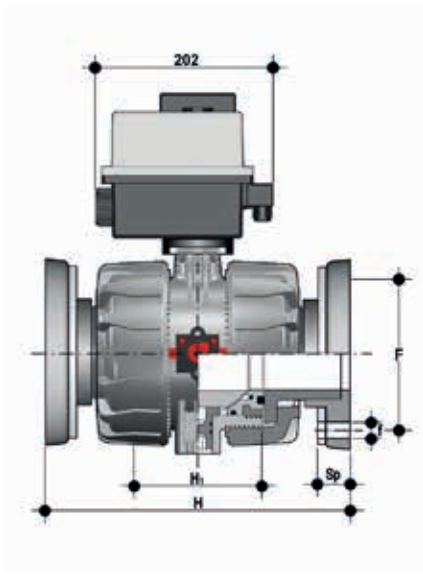
VKD/CE DN 65÷100 PVC-C



VKDOAC/CE 90-240 V AC

DUAL BLOCK® Ball Valve with free flanges EN/ISO/DIN PN 10/16, face to face dimensions as per EN 558-1 with electric actuator 24 V AC/DC

d	DN	PN	H	H ₁	F	f	U	Sp	g	EPDM Code	FKM Code
2"1/2	65	16	290	133	139.7	18	4	21	9657	VKDOCEM075E	VKDOCEM075F
3"	80	16	310	149	152.4	18	8	21.5	12635	VKDOCEM090E	VKDOCEM090F
4"	100	16	350	167	190.5	18	8	21.5	17446	VKDOCEM110E	VKDOCEM110F



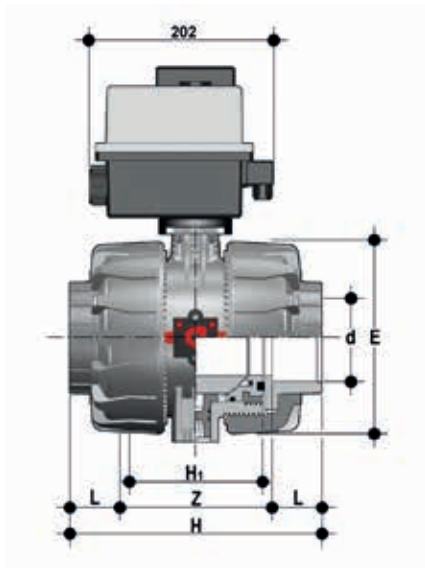
VKDOAC/CE 24 V AC/DC

DUAL BLOCK® ball valve with fixed flanges drilled ANSI B16.5 cl.150#FF with electric actuator 24 V AC/DC

d	DN	PN	H	H ₁	F	f	U	Sp	g	EPDM Code	FKM Code
2"1/2	65	16	290	133	139.7	18	4	21	9657	VKDOCEL075E	VKDOCEL075F
3"	80	16	310	149	152.4	18	8	21.5	12635	VKDOCEL090E	VKDOCEL090F
4"	100	16	350	167	190.5	18	8	21.5	17446	VKDOCEL110E	VKDOCEL110F

DIMENSIONS

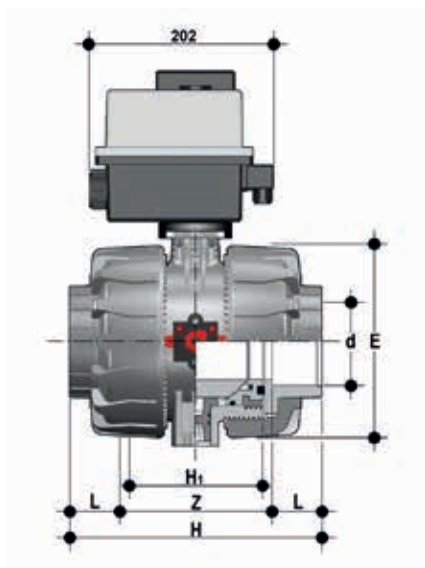
VKD/CE DN 65÷100 PVC-C



VKDAC/CE 90-240 V AC

Two way DUAL BLOCK® ball valve with female ends for solvent welding, ASTM series with multi-volt electric actuator 90-240 V AC 50-60 Hz

d	DN	PN	E	H	H ₁	L	Z	g	EPDM Code	FKM Code
2"1/2	65	16	164	235	133	44.5	146	7170	VKDACEM212E	VKDACEM212F
3"	80	16	203	270	149	48	174	10258	VKDACEM300E	VKDACEM300F
4"	100	16	238	308	167	57.5	193	14457	VKDACEM400E	VKDACEM400F



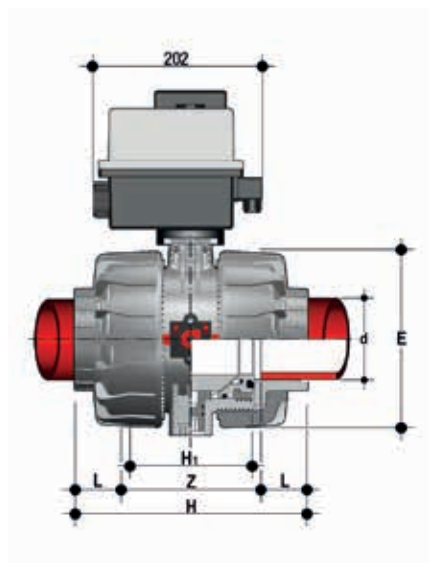
VKDAC/CE 24 V AC/DC

Two way DUAL BLOCK® ball valve with female ends for solvent welding, ASTM series with electric actuator 24 V AC/DC

d	DN	PN	E	H	H ₁	L	Z	g	EPDM Code	FKM Code
2"1/2	65	16	164	235	133	44.5	146	7170	VKDACEL212E	VKDACEL212F
3"	80	16	203	270	149	48	174	10258	VKDACEL300E	VKDACEL300F
4"	100	16	238	308	167	57.5	193	14457	VKDACEL400E	VKDACEL400F

DIMENSIONS

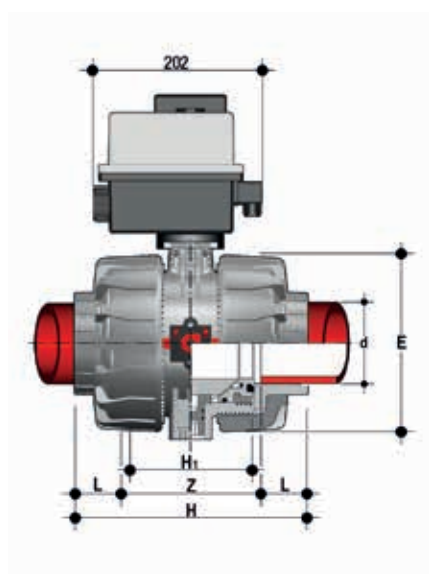
VKD/CE DN 65÷100 PP-H



VKDIM/CE 90-240 V AC

DUAL BLOCK® ball valve with female ends for socket welding, metric series with multi-volt electric actuator 90-240 V AC 50-60 Hz

d	DN	PN	E	H	H ₁	L	Z	g	EPDM Code	FKM Code
75	65	10	164	213	133	33	147	5510	VKDIMEM075E	VKDIMEM075F
90	80	10	203	239	149	36	168	7500	VKDIMEM090E	VKDIMEM090F
110	100	10	238	268	167	41	186	10045	VKDIMEM110E	VKDIMEM110F



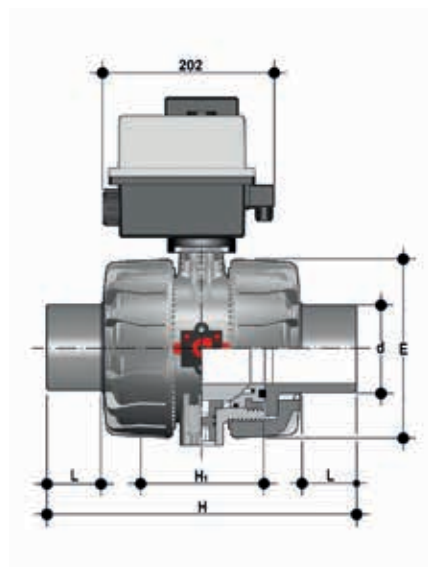
VKDIM/CE 24 V AC/DC

DUAL BLOCK® ball valve with female ends for socket welding, metric series with electric actuator 24 V AC/DC

d	DN	PN	E	H	H ₁	L	Z	g	EPDM Code	FKM Code
75	65	10	164	213	133	33	147	5510	VKDIMEL075E	VKDIMEL075F
90	80	10	203	239	149	36	168	7500	VKDIMEL090E	VKDIMEL090F
110	100	10	238	268	167	41	186	10045	VKDIMEL110E	VKDIMEL110F

DIMENSIONS

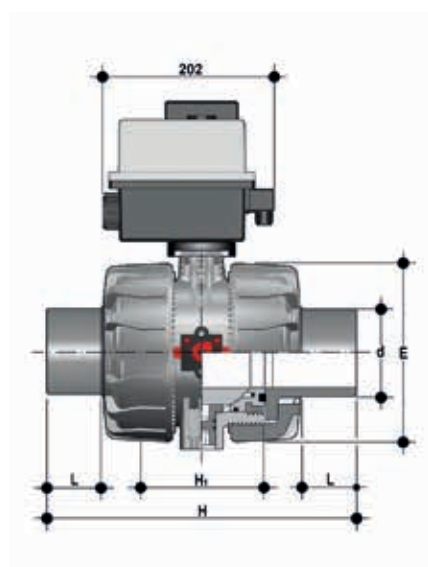
VKD/CE DN 65÷100 PP-H



VKDDM/CE 90-240 V AC

DUAL BLOCK® ball valve with male ends for socket welding, metric series with multi-volt electric actuator 90-240 V AC 50-60 Hz

d	DN	PN	E	H	H ₁	L	g	EPDM Code	FKM Code
75	65	10	164	213	133	33	5510	VKDDMEM075E	VKDDMEM075F
90	80	10	203	239	149	36	7500	VKDDMEM090E	VKDDMEM090F
110	100	10	238	268	167	41	10045	VKDDMEM110E	VKDDMEM110F



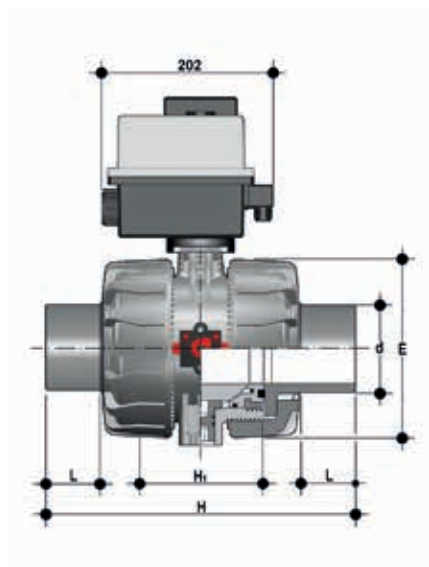
VKDDM/CE 24 V AC/DC

DUAL BLOCK® ball valve with male ends for socket welding, metric series with electric actuator 24 V AC/DC

d	DN	PN	E	H	H ₁	L	g	EPDM Code	FKM Code
75	65	10	164	213	133	33	5510	VKDDMEL075E	VKDDMEL075F
90	80	10	203	239	149	36	7500	VKDDMEL090E	VKDDMEL090F
110	100	10	238	268	167	41	10045	VKDDMEL110E	VKDDMEL110F

DIMENSIONS

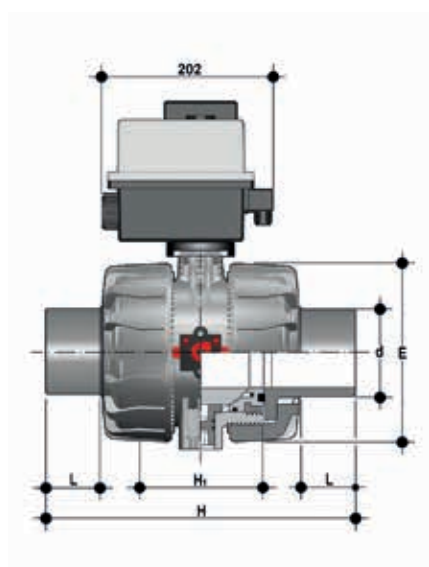
VKD/CE DN 65÷100 PP-H



VKDBM/CE 90-240 V AC

2 way DUAL BLOCK® ball valve with long spigot male ends in PP-H SDR21 for head welding (CVDM) with multi-volt electric actuator 90-240 V AC 50-60 Hz

d	DN	PN	E	H	H ₁	L	g	EPDM Code	FKM Code
75	65	10	162	356	133	71	5510	VKDBMEM075E	VKDBMEM075F
90	80	10	202	390	149	88	7500	VKDBMEM090E	VKDBMEM090F
110	100	10	236	431	167	92	10045	VKDBMEM110E	VKDBMEM110F



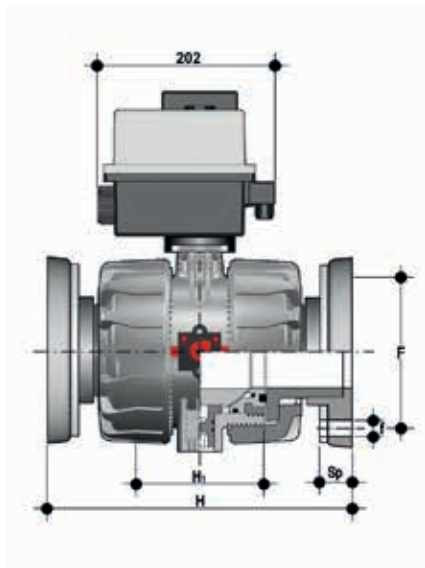
VKDBM/CE 24 V AC/DC

2 way DUAL BLOCK® ball valve with long spigot male ends in PP-H SDR21 for head welding (CVDM) with electric actuator 24 V AC/DC

d	DN	PN	E	H	H ₁	L	g	EPDM Code	FKM Code
75	65	10	162	356	133	71	5510	VKDBMEL075E	VKDBMEL075F
90	80	10	202	390	149	88	7500	VKDBMEL090E	VKDBMEL090F
110	100	10	236	431	167	92	10045	VKDBMEL110E	VKDBMEL110F

DIMENSIONS

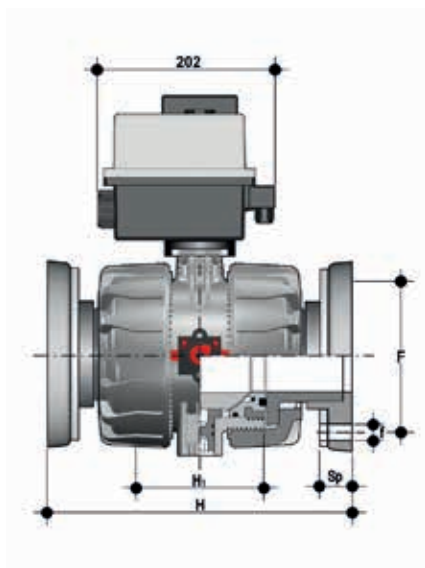
VKD/CE DN 65÷100 PP-H



VKDOM/CE 90-240 V AC

DUAL BLOCK® Ball Valve with fixed flanges, drilled EN/ISO/DIN PN 10/16, face to face dimensions as per EN 558-1 with multi-volt electric actuator 90-240 V AC 50-60 Hz

d	DN	PN	H	H ₁	F	f	U	Sp	g	EPDM Code	FKM Code
75	65	10	290	133	145	17	4	24	6920	VKDOMEM075E	VKDOMEM075F
90	80	10	310	149	160	17	8	24.5	8875	VKDOMEM090E	VKDOMEM090F
110	100	10	350	167	180	17	8	24.5	11410	VKDOMEM110E	VKDOMEM110F



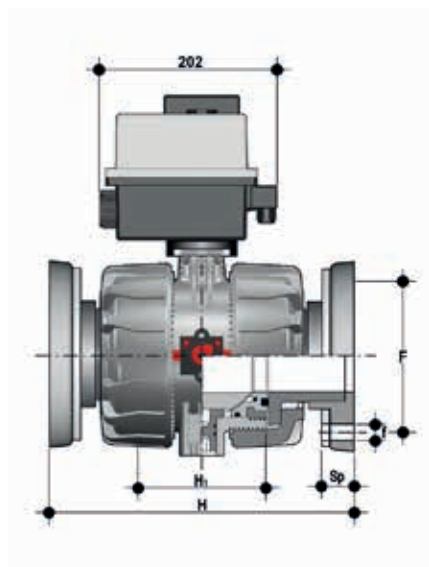
VKDOM/CE 24 V AC/DC

DUAL BLOCK® Ball Valve with fixed flanges, drilled EN/ISO/DIN PN 10/16, face to face dimensions as per EN 558-1 with electric actuator 24 V AC/DC

d	DN	PN	H	H ₁	F	f	U	Sp	g	EPDM Code	FKM Code
75	65	10	290	133	145	17	4	24	6920	VKDOMEL075E	VKDOMEL075F
90	80	10	310	149	160	17	8	24.5	8875	VKDOMEL090E	VKDOMEL090F
110	100	10	350	167	180	17	8	24.5	11410	VKDOMEL110E	VKDOMEL110F

DIMENSIONS

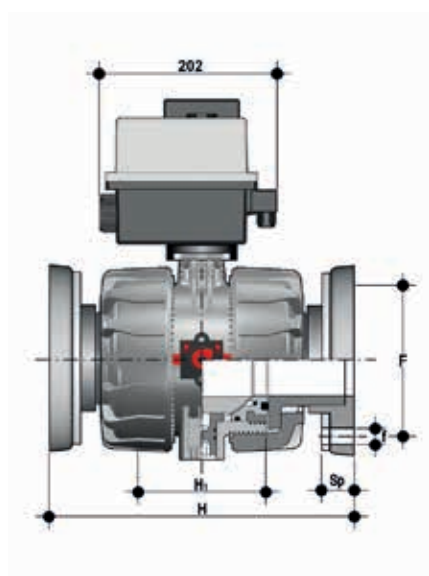
VKD/CE DN 65÷100 PP-H



VKDOAM/CE 90-240 V AC

DUAL BLOCK® ball valve with fixed flanges, drilled ANSI B16.5 cl.150#FF with multi-volt electric actuator 90-240 V AC 50-60 Hz

d	DN	PN	H	H ₁	F	f	U	Sp	g	EPDM Code	FKM Code
2"1/2	65	10	290	133	139.7	18	4	24	6920	VKDOMEM075E	VKDOMEM075F
3"	80	10	310	149	152.4	18	8	24.5	8875	VKDOMEM090E	VKDOMEM090F
4"	100	10	350	167	190.5	18	8	24.5	11410	VKDOMEM110E	VKDOMEM110F



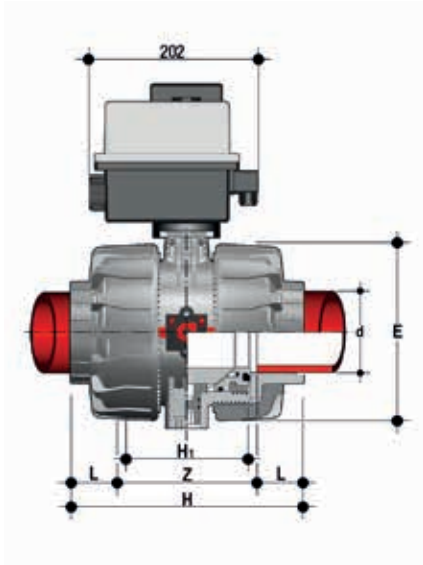
VKDOAM/CE 24 V AC/DC

DUAL BLOCK® ball valve with fixed flanges drilled ANSI B16.5 cl.150#FF with electric actuator 24 V AC/DC

d	DN	PN	H	H ₁	F	f	U	Sp	g	EPDM Code	FKM Code
2"1/2	65	10	290	133	139.7	18	4	24	6920	VKDOMELO75E	VKDOMELO75F
3"	80	10	310	149	152.4	18	8	24.5	8875	VKDOMELO90E	VKDOMELO90F
4"	100	10	350	167	190.5	18	8	24.5	11410	VKDOMELO110E	VKDOMELO110F

DIMENSIONS

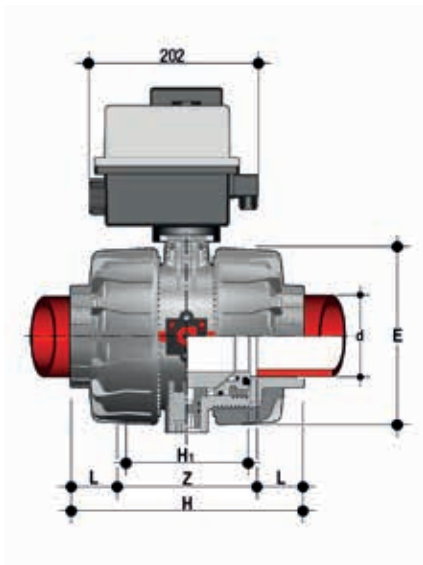
VKD/CE DN 65÷100 PVDF



VKDIF/CE 90-240 V AC

DUAL BLOCK® ball valve with female ends for socket welding, metric series with multi-volt electric actuator 90-240 V AC 50-60 Hz

d	DN	PN	E	H	H ₁	L	Z	g	FKM Code
75	65	16	164	213	133	33	147	8073	VKDIFEM075F
90	80	16	203	239	149	36	168	12010	VKDIFEM090F
110	100	16	238	268	167	41	186	16970	VKDIFEM110F



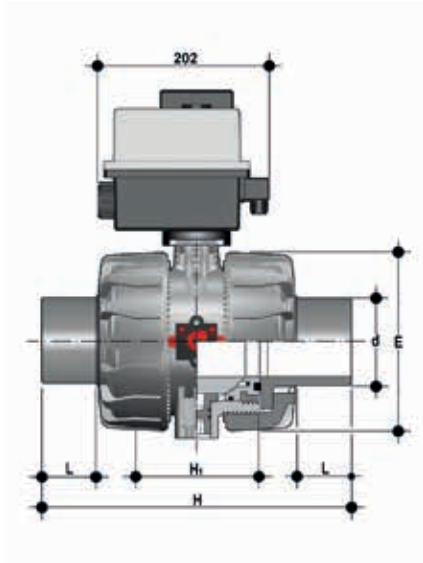
VKDIF/CE 24 V AC/DC

DUAL BLOCK® ball valve with female ends for socket welding, metric series with electric actuator 24 V AC/DC

d	DN	PN	E	H	H ₁	L	Z	g	FKM Code
75	65	16	164	213	133	33	147	8073	VKDIFEL075F
90	80	16	203	239	149	36	168	12010	VKDIFEL090F
110	100	16	238	268	167	41	186	16970	VKDIFEL110F

DIMENSIONS

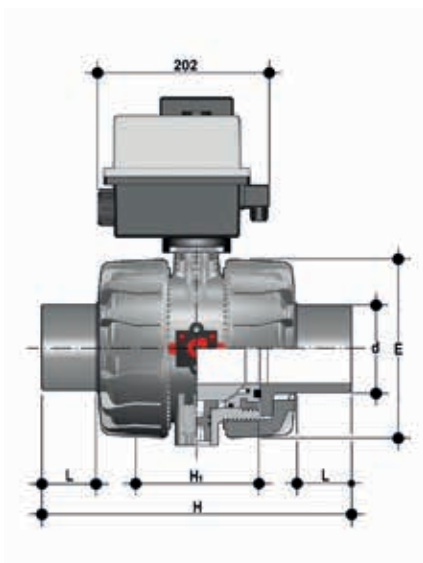
VKD/CE DN 65÷100 PVDF



VKDDF/CE 90-240 V AC

DUAL BLOCK® ball valve with male ends for socket welding, metric series with multi-volt electric actuator 90-240 V AC 50-60 Hz

d	DN	PN	E	H	H ₁	L	g	FKM Code
75	65	16	164	213	133	33	8073	VKDDFEM075F
90	80	16	203	239	149	36	12010	VKDDFEM090F
110	100	16	238	268	167	41	16970	VKDDFEM110F



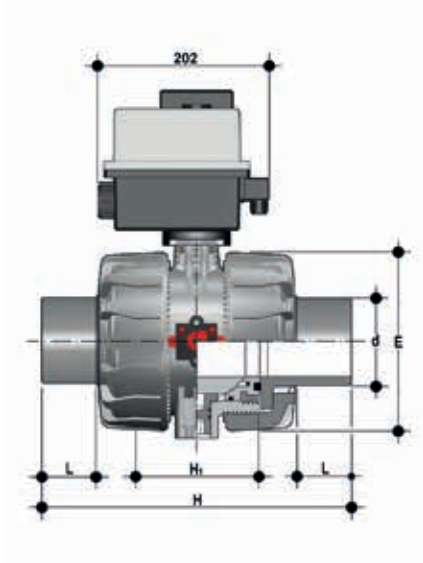
VKDDF/CE 24 V AC/DC

DUAL BLOCK® ball valve with male ends for socket welding, metric series with electric actuator 24 V AC/DC

d	DN	PN	E	H	H ₁	L	g	FKM Code
75	65	16	164	213	133	33	8073	VKDDFEL075F
90	80	16	203	239	149	36	12010	VKDDFEL090F
110	100	16	238	268	167	41	16970	VKDDFEL110F

DIMENSIONS

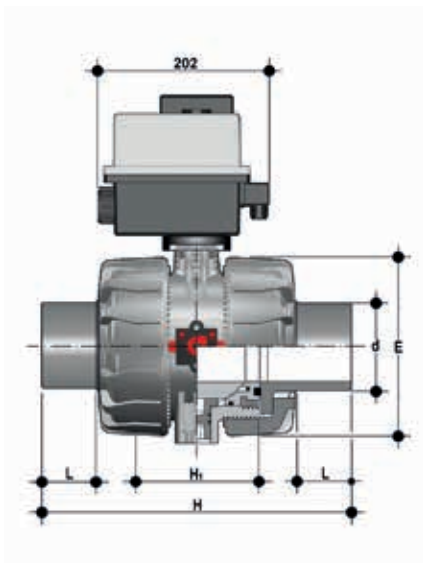
VKD/CE DN 65÷100 PVDF



VKDBF/CE 90-240 V AC

2 way DUAL BLOCK® ball valve with long spigot male ends in PVDF SDR21 for head welding/IR (CVDF) with multi-volt electric actuator 90-240 V AC 50-60 Hz

d	DN	PN	E	H	H ₁	L	g	FKM Code
75	65	10	162	284	133	71	8073	VKDBFEM075F
90	80	10	202	300	149	88	12010	VKDBFEM090F
110	100	10	236	340	167	92	16970	VKDBFEM110F



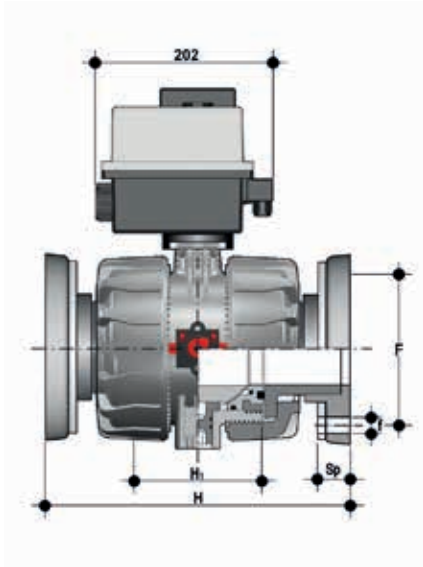
VKDBF/CE 24 V AC/DC

2 way DUAL BLOCK® ball valve with long spigot male ends in PVDF SDR21 for head welding/IR (CVDF) with electric actuator 24 V AC/DC

d	DN	PN	E	H	H ₁	L	g	FKM Code
75	65	10	162	284	133	71	8073	VKDBFEL075F
90	80	10	202	300	149	88	12010	VKDBFEL090F
110	100	10	236	340	167	92	16970	VKDBFEL110F

DIMENSIONS

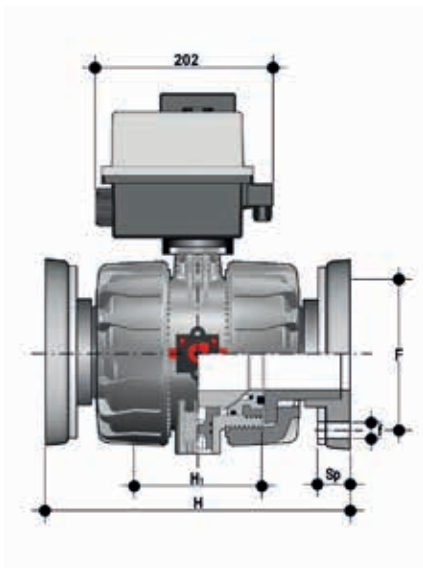
VKD/CE DN 65÷100 PVDF



VKDOF/CE 90-240 V AC

DUAL BLOCK® Ball Valve with fixed flanges, drilled EN/ISO/DIN PN 10/16, face to face dimensions as per EN 558-1 with multi-volt electric actuator 90-240 V AC 50-60 Hz

d	DN	PN	H	H ₁	F	f	U	Sp	g	FKM Code
75	65	16	290	133	145	17	4	21	11008	VKDOFEM075F
90	80	16	310	149	160	17	8	21.5	14542	VKDOFEM090F
110	100	16	350	167	180	17	8	21.5	20269	VKDOFEM110F



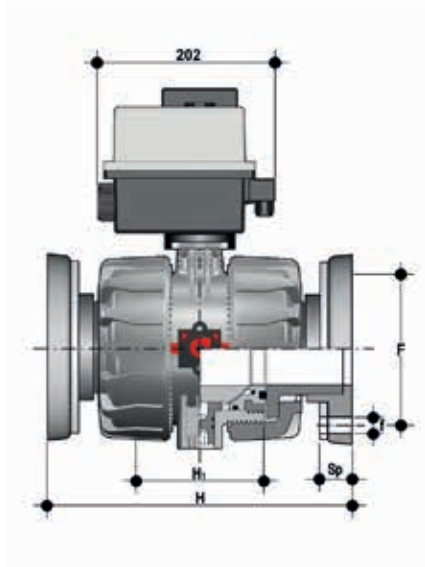
VKDOF/CE 24 V AC/DC

DUAL BLOCK® Ball Valve with fixed flanges, drilled EN/ISO/DIN PN 10/16, face to face dimensions as per EN 558-1 with electric actuator 24 V AC/DC

d	DN	PN	H	H ₁	F	f	U	Sp	g	FKM Code
75	65	16	290	133	145	17	4	21	11008	VKDOFEL075F
90	80	16	310	149	160	17	8	21.5	14542	VKDOFEL090F
110	100	16	350	167	180	17	8	21.5	20269	VKDOFEL110F

DIMENSIONS

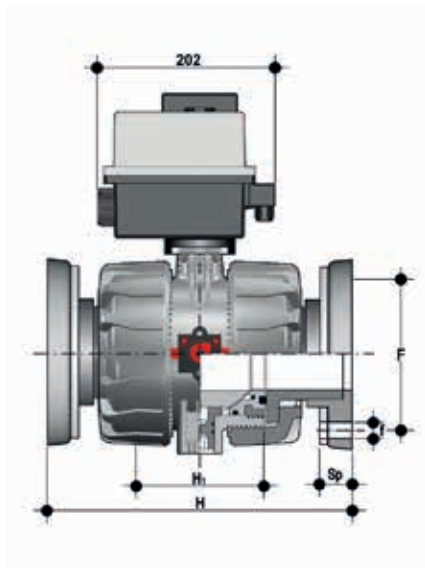
VKD/CE DN 65÷100 PVDF



VKDOAF/CE 90-240 V AC

DUAL BLOCK® ball valve with fixed flanges, drilled ANSI B16.5 cl.150#FF with multi-volt electric actuator 90-240 V AC 50-60 Hz

d	DN	PN	H	H ₁	F	f	U	Sp	g	FKM Code
2 1/2"	65	16	290	133	139.7	18	4	21	11008	VKDOFEM075F
3"	80	16	310	149	152.4	18	8	21.5	14542	VKDOFEM090F
4"	100	16	350	167	190.5	18	8	21.5	20269	VKDOFEM110F



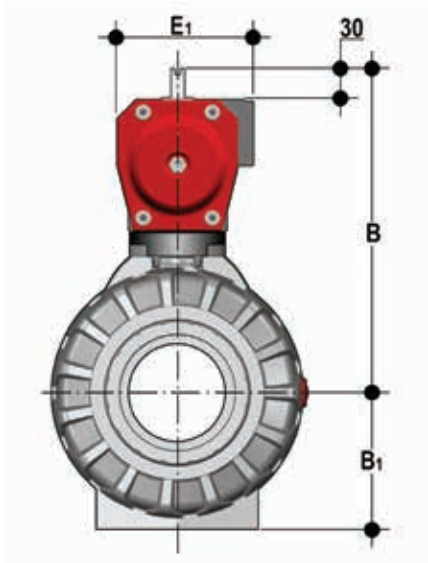
VKDOAF/CE 24 V AC/DC

DUAL BLOCK® ball valve with fixed flanges drilled ANSI B16.5 cl.150#FF with electric actuator 24 V AC/DC

d	DN	PN	H	H ₁	F	f	U	Sp	g	FKM Code
2 1/2"	65	16	290	133	139.7	18	4	21	11008	VKDOFEL075F
3"	80	16	310	149	152.4	18	8	21.5	14542	VKDOFEL090F
4"	100	16	350	167	190.5	18	8	21.5	20269	VKDOFEL110F

DIMENSIONS

VKD/CP DN 65÷100 PVC-U



Dimensions common to all DA versions

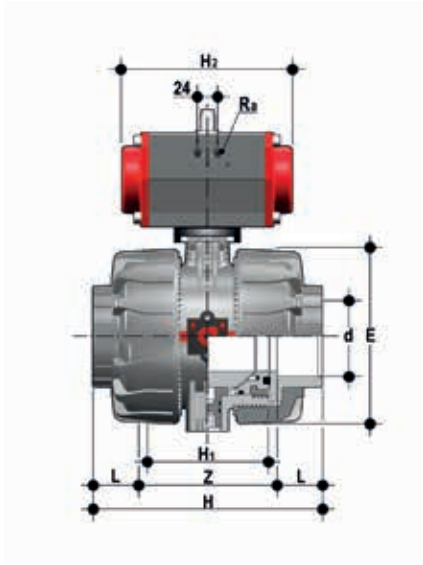
DN	B	B ₁	E ₁
65	222	87	86
80	252	105	94
100	280	129	104

Dimensions common to all SA versions

DN	B	B ₁	E ₁
65	239	87	94
80	262	105	104
100	295	129	120

DIMENSIONS

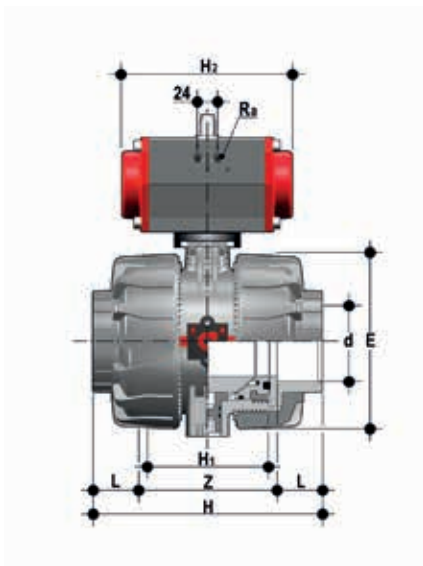
VKD/CP DN 65÷100 PVC-U



VKDIV/CP DA

DUAL BLOCK® ball valve with female ends for solvent welding, metric series with pneumatic actuator, Double-Acting function

d	DN	PN	E	H	H ₁	L	Z	H ₂	R _a	g	EPDM Code	FKM Code
75	65	10	164	235	133	44	147	155	G1/4"	5400	VKDIVDA075E	VKDIVDA075F
90	80	10	203	270	149	51	168	210	G1/4"	9520	VKDIVDA090E	VKDIVDA090F
110	100	10	238	308	167	61	186	228	G1/4"	14660	VKDIVDA110E	VKDIVDA110F



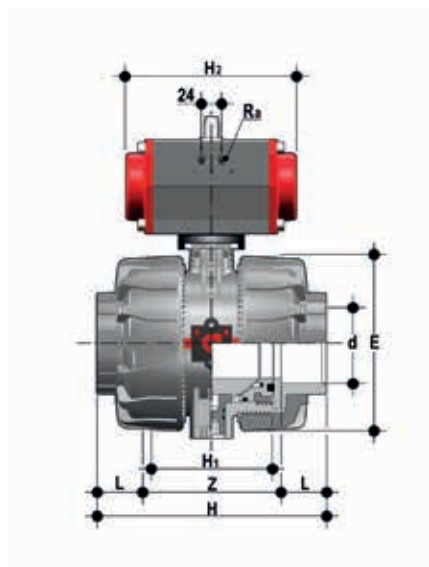
VKDIV/CP NC

DUAL BLOCK® ball valve with female ends for solvent welding, metric series with pneumatic actuator, Normally Closed function

d	DN	PN	E	H	H ₁	L	Z	H ₂	R _a	g	EPDM Code	FKM Code
75	65	10	164	235	133	44	147	210	G1/4"	7170	VKDIVNC075E	VKDIVNC075F
90	80	10	203	270	149	51	168	228	G1/4"	11450	VKDIVNC090E	VKDIVNC090F
110	100	10	238	308	167	61	186	280.5	G1/4"	17280	VKDIVNC110E	VKDIVNC110F

DIMENSIONS

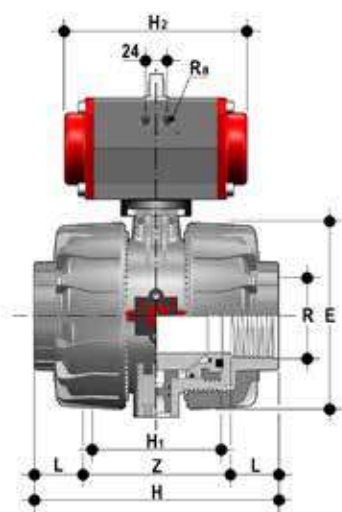
VKD/CP DN 65÷100 PVC-U



VKDIV/CP NO

DUAL BLOCK® ball valve with female ends for solvent welding, metric series with pneumatic actuator, Normally Open function

d	DN	PN	E	H	H ₁	L	Z	H ₂	R _a	g	EPDM Code	FKM Code
75	65	10	164	235	133	44	147	210	G1/4"	7170	VKDIVNO075E	VKDIVNO075F
90	80	10	203	270	149	51	168	228	G1/4"	11450	VKDIVNO090E	VKDIVNO090F
110	100	10	238	308	167	61	186	280.5	G1/4"	17280	VKDIVNO110E	VKDIVNO110F



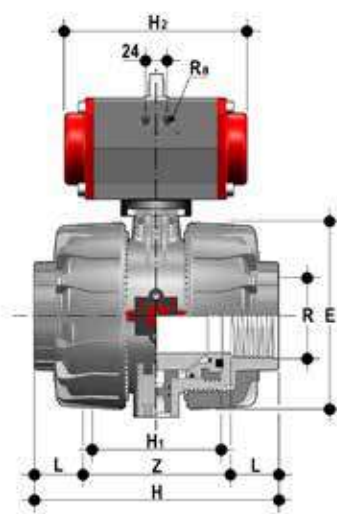
VKDFV/CP DA

DUAL BLOCK® ball valve with gas cylinder thread female ends with pneumatic actuator, Double-Acting function

R	DN	PN	E	H	H ₁	L	Z	H ₂	R _a	g	EPDM Code	FKM Code
2 1/2"	65	10	164	235	133	33.2	168.6	155	G1/4"	5400	VKDFVDA212E	VKDFVDA212F
3"	80	10	203	270	149	35.5	199	210	G1/4"	9520	VKDFVDA300E	VKDFVDA300F
4"	100	10	238	308	167	37.6	232.8	228	G1/4"	14660	VKDFVDA400E	VKDFVDA400F

DIMENSIONS

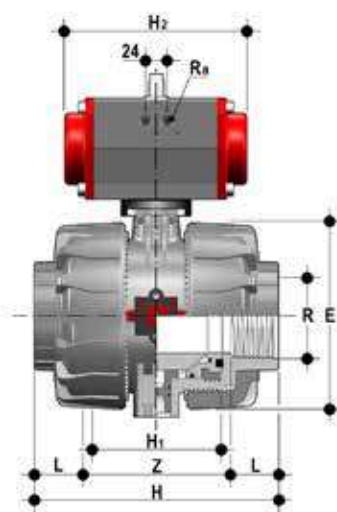
VKD/CP DN 65÷100 PVC-U



VKDFV/CP NC

DUAL BLOCK® ball valve with gas cylinder thread female ends with pneumatic actuator, Normally Closed function

R	DN	PN	E	H	H ₁	L	Z	H ₂	R ₀	g	EPDM Code	FKM Code
2 1/2"	65	10	164	235	133	33.2	168.6	210	G1/4"	7170	VKDFVNC212E	VKDFVNC212F
3"	80	10	203	270	149	35.5	199	228	G1/4"	11450	VKDFVNC300E	VKDFVNC300F
4"	100	10	238	308	167	37.6	232.8	280.5	G1/4"	17280	VKDFVNC400E	VKDFVNC400F



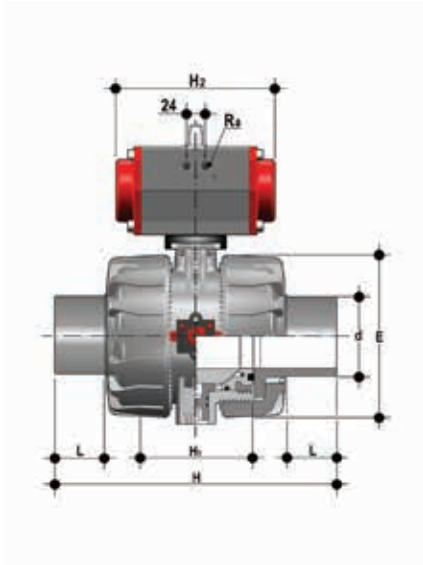
VKDFV/CP NO

DUAL BLOCK® ball valve with gas cylinder thread female ends with pneumatic actuator, Normally Open function

R	DN	PN	E	H	H ₁	L	Z	H ₂	R ₀	g	EPDM Code	FKM Code
2 1/2"	65	10	164	235	133	33.2	168.6	210	G1/4"	7170	VKDFVNO212E	VKDFVNO212F
3"	80	10	203	270	149	35.5	199	228	G1/4"	11450	VKDFVNO300E	VKDFVNO300F
4"	100	10	238	308	167	37.6	232.8	280.5	G1/4"	17280	VKDFVNO400E	VKDFVNO400F

DIMENSIONS

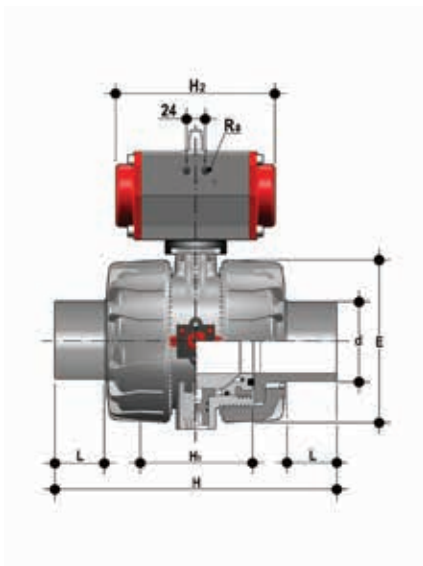
VKD/CP DN 65÷100 PVC-U



VKDDV/CP DA

DUAL BLOCK® ball valve with male ends for solvent welding, metric series with pneumatic actuator, Double-Acting function

d	DN	PN	E	H	H ₁	L	H ₂	R _a	g	EPDM Code	FKM Code
75	65	10	164	284	133	44	155	G1/4"	5400	VKDDVDA075E	VKDDVDA075F
90	80	10	203	300	149	51	210	G1/4"	9520	VKDDVDA090E	VKDDVDA090F
110	100	10	238	340	167	61	228	G1/4"	14660	VKDDVDA110E	VKDDVDA110F



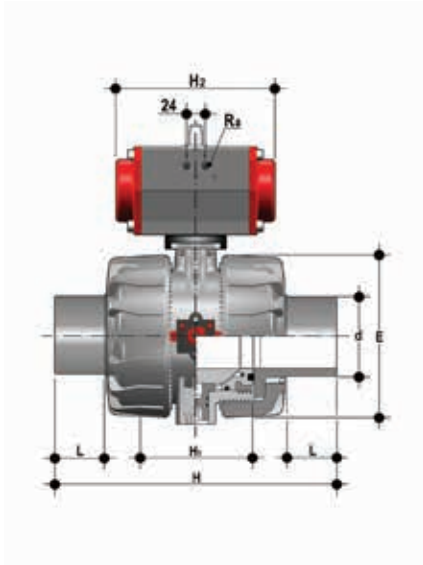
VKDDV/CP NC

DUAL BLOCK® ball valve with male ends for solvent welding, metric series with pneumatic actuator, Normally Closed function

d	DN	PN	E	H	H ₁	L	H ₂	R _a	g	EPDM Code	FKM Code
75	65	10	164	284	133	36.5	210	G1/4"	7170	VKDDVNC075E	VKDDVNC075F
90	80	10	203	300	149	37.5	228	G1/4"	11450	VKDDVNC090E	VKDDVNC090F
110	100	10	238	340	167	42.5	280.5	G1/4"	17280	VKDDVNC110E	VKDDVNC110F

DIMENSIONS

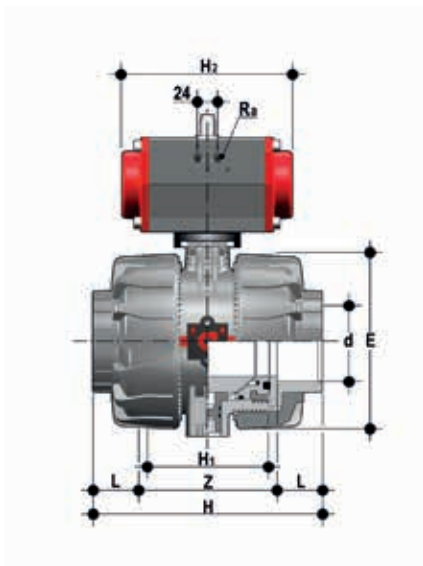
VKD/CP DN 65÷100 PVC-U



VKDDV/CP NO

DUAL BLOCK® ball valve with male ends for solvent welding, metric series with pneumatic actuator, Normally Open function

d	DN	PN	E	H	H ₁	L	H ₂	R ₀	g	EPDM Code	FKM Code
75	65	10	164	284	133	36.5	210	G1/4"	7170	VKDDVNO075E	VKDDVNO075F
90	80	10	203	300	149	37.5	228	G1/4"	11450	VKDDVNO090E	VKDDVNO090F
110	100	10	238	340	167	42.5	280.5	G1/4"	17280	VKDDVNO110E	VKDDVNO110F



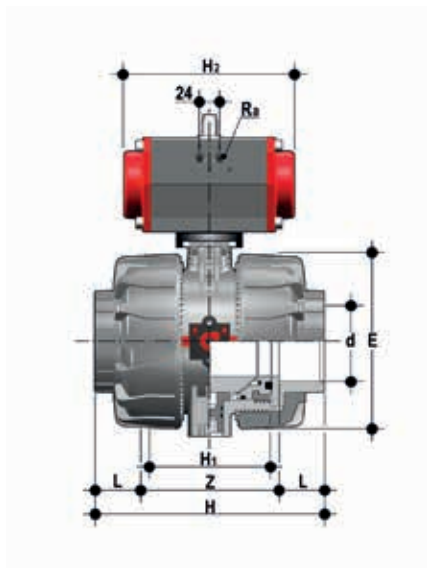
VKDLV/CP DA

Two way DUAL BLOCK® ball valve with female ends for solvent welding, BS series with pneumatic actuator, Double-Acting function

R	DN	PN	E	H	H ₁	L	Z	H ₂	R ₀	g	EPDM Code	FKM Code
2 1/2"	65	10	164	235	133	44	147	155	G1/4"	5400	VKDLVDA212E	VKDLVDA212F
3"	80	10	203	270	149	51	168	210	G1/4"	9520	VKDLVDA300E	VKDLVDA300F
4"	100	10	238	308	167	63	186	228	G1/4"	14660	VKDLVDA400E	VKDLVDA400F

DIMENSIONS

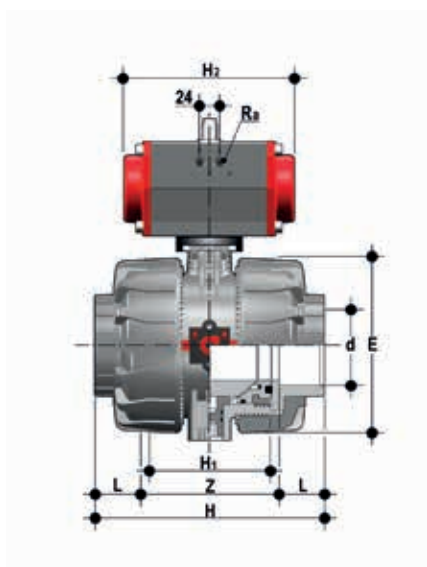
VKD/CP DN 65÷100 PVC-U



VKDLV/CP NC

Two way DUAL BLOCK® ball valve with female ends for solvent welding, BS series with pneumatic actuator, Normally Closed function

R	DN	PN	E	H	H ₁	L	Z	H ₂	R _a	g	EPDM Code	FKM Code
2"1/2	65	10	164	235	133	44	147	210	G1/4"	7170	VKDLVNC212E	VKDLVNC212F
3"	80	10	203	270	149	51	168	228	G1/4"	11450	VKDLVNC300E	VKDLVNC300F
4"	100	10	238	308	167	63	186	280.5	G1/4"	17280	VKDLVNC400E	VKDLVNC400F



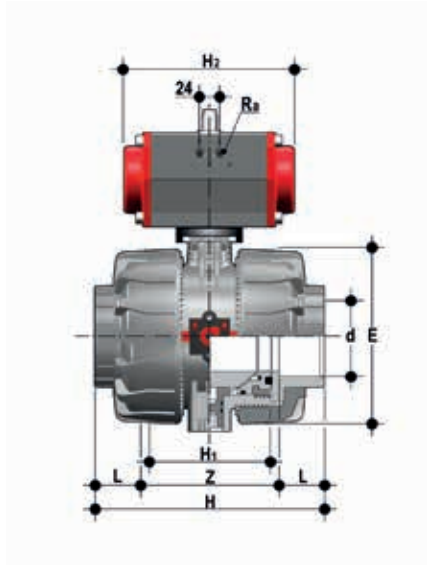
VKDLV/CP NO

Two way DUAL BLOCK® ball valve with female ends for solvent welding, BS series with pneumatic actuator, Normally Open function

R	DN	PN	E	H	H ₁	L	Z	H ₂	R _a	g	EPDM Code	FKM Code
2"1/2	65	10	164	235	133	44	147	210	G1/4"	7170	VKDLVNO212E	VKDLVNO212F
3"	80	10	203	270	149	51	168	228	G1/4"	11450	VKDLVNO300E	VKDLVNO300F
4"	100	10	238	308	167	63	186	280.5	G1/4"	17280	VKDLVNO400E	VKDLVNO400F

DIMENSIONS

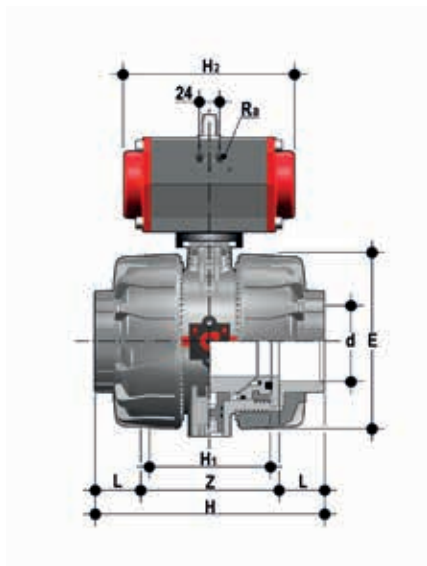
VKD/CP DN 65÷100 PVC-U



VKDAV/CP DA

Two way DUAL BLOCK® ball valve with female ends for solvent welding, ASTM series with pneumatic actuator, Double-Acting function

d	DN	PN	E	H	H ₁	L	Z	H ₂	R _a	g	EPDM Code	FKM Code
2 1/2"	65	10	164	235	133	44.5	146	155	G1/4"	5400	VKDAVDA212E	VKDAVDA212F
3"	80	10	203	270	149	48	174	210	G1/4"	9520	VKDAVDA300E	VKDAVDA300F
4"	100	10	238	308	167	57.5	193	228	G1/4"	14660	VKDAVDA400E	VKDAVDA400F



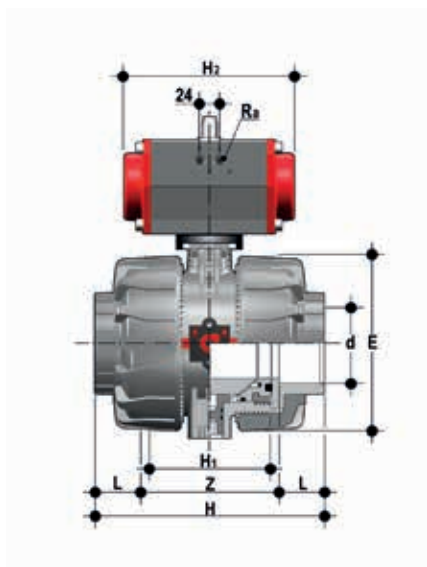
VKDAV/CP NC

Two way DUAL BLOCK® ball valve with female ends for solvent welding, ASTM series with pneumatic actuator, Normally Closed function

d	DN	PN	E	H	H ₁	L	Z	H ₂	R _a	g	EPDM Code	FKM Code
2 1/2"	65	10	164	235	133	44.5	146	210	G1/4"	7170	VKDAVNC212E	VKDAVNC212F
3"	80	10	203	270	149	48	174	228	G1/4"	11450	VKDAVNC300E	VKDAVNC300F
4"	100	10	238	308	167	57.5	193	280.5	G1/4"	17280	VKDAVNC400E	VKDAVNC400F

DIMENSIONS

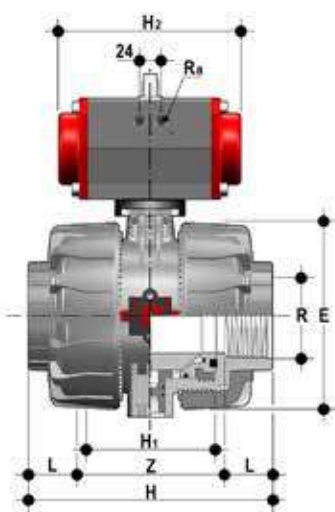
VKD/CP DN 65÷100 PVC-U



VKDAV/CP NO

Two way DUAL BLOCK® ball valve with female ends for solvent welding, ASTM series with pneumatic actuator, Normally Open function

d	DN	PN	E	H	H ₁	L	Z	H ₂	R _a	g	EPDM Code	FKM Code
2 1/2"	65	10	164	235	133	44.5	146	210	G1/4"	7170	VKDAVNO212E	VKDAVNO212F
3"	80	10	203	270	149	48	174	228	G1/4"	11450	VKDAVNO300E	VKDAVNO300F
4"	100	10	238	308	167	57.5	193	280.5	G1/4"	17280	VKDAVNO400E	VKDAVNO400F



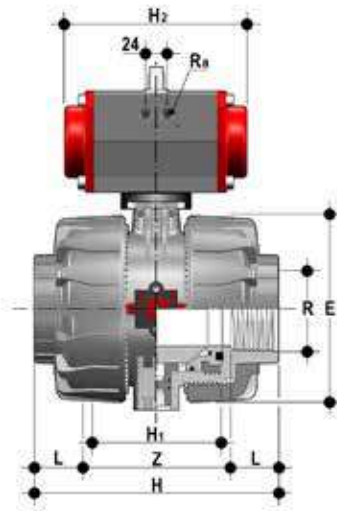
VKDNV/CP DA

Two way DUAL BLOCK® ball valve with NPT thread female ends with pneumatic actuator, Double-Acting function

R	DN	PN	E	H	H ₁	L	Z	H ₂	R _a	g	EPDM Code	FKM Code
2 1/2"	65	10	164	235	133	33.2	168.6	155	G1/4"	5400	VKDNVDA212E	VKDNVDA212F
3"	80	10	203	270	149	35.5	199	210	G1/4"	9520	VKDNVDA300E	VKDNVDA300F
4"	100	10	238	308	167	37.6	232.8	228	G1/4"	14660	VKDNVDA400E	VKDNVDA400F

DIMENSIONS

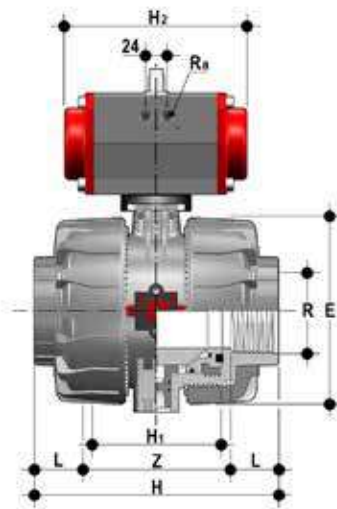
VKD/CP DN 65÷100 PVC-U



VKDNV/CP NC

Two way DUAL BLOCK® ball valve with NPT thread female ends with pneumatic actuator, Normally Closed function

R	DN	PN	E	H	H ₁	L	Z	H ₂	R _a	g	EPDM Code	FKM Code
2 1/2"	65	10	164	235	133	33.2	168.6	210	G1/4"	7170	VKDNVNC212E	VKDNVNC212F
3"	80	10	203	270	149	35.5	199	228	G1/4"	11450	VKDNVNC300E	VKDNVNC300F
4"	100	10	238	308	167	37.6	232.8	280.5	G1/4"	17280	VKDNVNC400E	VKDNVNC400F



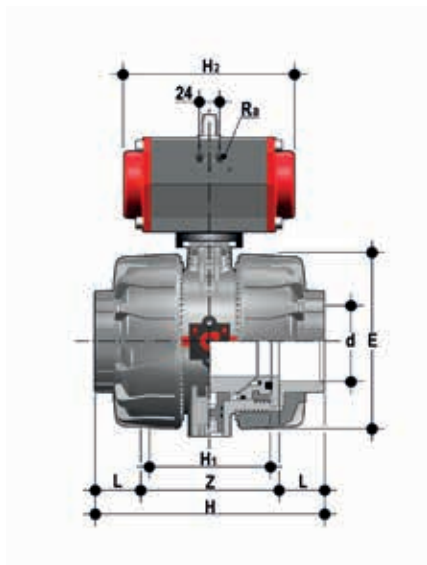
VKDNV/CP NO

Two way DUAL BLOCK® ball valve with NPT thread female ends with pneumatic actuator, Normally Open function

R	DN	PN	E	H	H ₁	L	Z	H ₂	R _a	g	EPDM Code	FKM Code
2 1/2"	65	10	164	235	133	33.2	168.6	210	G1/4"	7170	VKDNVNO212E	VKDNVNO212F
3"	80	10	203	270	149	35.5	199	228	G1/4"	11450	VKDNVNO300E	VKDNVNO300F
4"	100	10	238	308	167	37.6	232.8	280.5	G1/4"	17280	VKDNVNO400E	VKDNVNO400F

DIMENSIONS

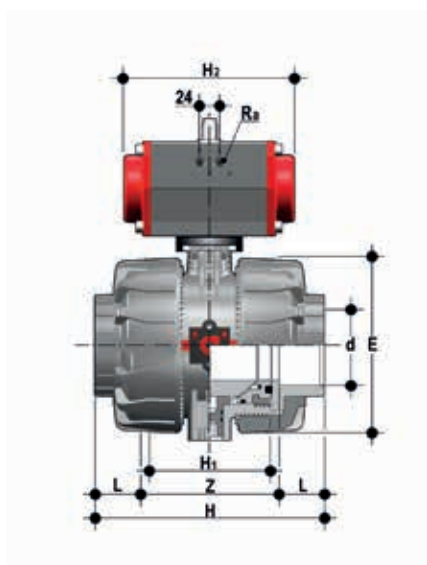
VKD/CP DN 65÷100 PVC-U



VKDJV/CP DA

Two way DUAL BLOCK® ball valve with female ends for solvent welding, JIS series with pneumatic actuator, Double-Acting function

d	DN	PN	E	H	H ₁	L	Z	H ₂	R _a	g	EPDM Code	FKM Code
2 1/2"	65	10	164	267	133	61	145	155	G1/4"	5400	VKDJVDA212E	VKDJVDA212F
3"	80	10	203	294	149	64.5	165	210	G1/4"	9520	VKDJVDA300E	VKDJVDA300F
4"	100	10	238	370	167	84	202	228	G1/4"	14660	VKDJVDA400E	VKDJVDA400F



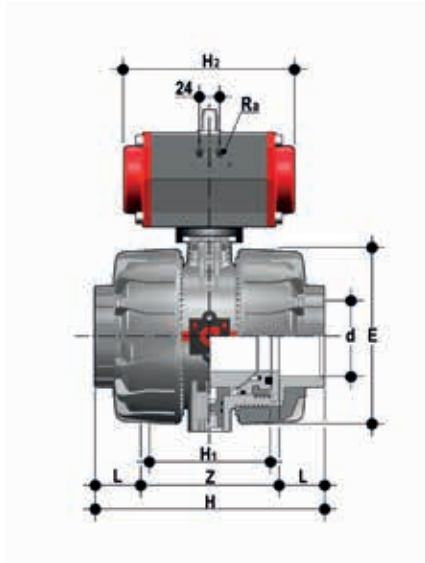
VKDJV/CP NC

Two way DUAL BLOCK® ball valve with female ends for solvent welding, JIS series with pneumatic actuator, Normally Closed function

d	DN	PN	E	H	H ₁	L	Z	H ₂	R _a	g	EPDM Code	FKM Code
2 1/2"	65	10	164	267	133	61	145	210	G1/4"	7170	VKDJVNC212E	VKDJVNC212F
3"	80	10	203	294	149	64.5	165	228	G1/4"	11450	VKDJVNC300E	VKDJVNC300F
4"	100	10	238	370	167	84	202	280.5	G1/4"	17280	VKDJVNC400E	VKDJVNC400F

DIMENSIONS

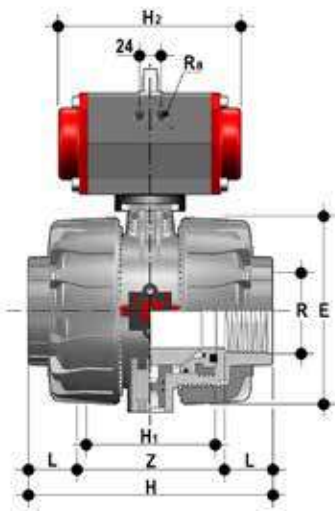
VKD/CP DN 65÷100 PVC-U



VKDJV/CP NO

Two way DUAL BLOCK® ball valve with female ends for solvent welding, JIS series with pneumatic actuator, Normally Open function

d	DN	PN	H	H ₁	F	f	U	Sp	H ₂	R _s	g	EPDM Code	FKM Code
2 1/2"	65	10	164	267	133	61	145	210	G1/4"	239	1205	VKDJVNO212E	VKDJVNO212F
3"	80	10	203	294	149	64.5	165	228	G1/4"	262	1583	VKDJVNO300E	VKDJVNO300F
4"	100	10	238	370	167	84	202	280.5	G1/4"	295	1691	VKDJVNO400E	VKDJVNO400F



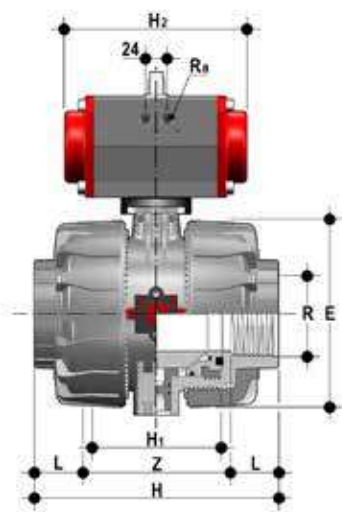
VKDGV/CP DA

Two way DUAL BLOCK® ball valve with JIS thread female ends with pneumatic actuator, Double-Acting function

R	DN	PN	E	H	H ₁	L	Z	H ₂	R _s	g	EPDM Code	FKM Code
2 1/2"	65	10	164	235	133	35	165	155	G1/4"	5400	VKDGVA212E	VKDGVA212F
3"	80	10	203	270	149	40	190	210	G1/4"	9520	VKDGVA300E	VKDGVA300F
4"	100	10	238	308	167	45	218	228	G1/4"	14660	VKDGVA400E	VKDGVA400F

DIMENSIONS

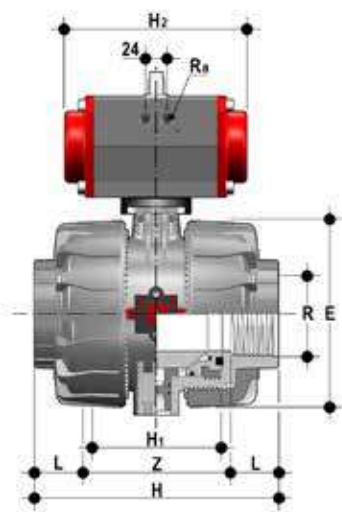
VKD/CP DN 65÷100 PVC-U



VKDGV/CP NC

Two way DUAL BLOCK® ball valve with JIS thread female ends with pneumatic actuator, Normally Closed function

R	DN	PN	E	H	H ₁	L	Z	H ₂	R _a	g	EPDM Code	FKM Code
2 1/2"	65	10	164	235	133	35	165	210	G1/4"	7170	VKDGVNC212E	VKDGVNC212F
3"	80	10	203	270	149	40	190	228	G1/4"	11450	VKDGVNC300E	VKDGVNC300F
4"	100	10	238	308	167	45	218	280.5	G1/4"	17280	VKDGVNC400E	VKDGVNC400F



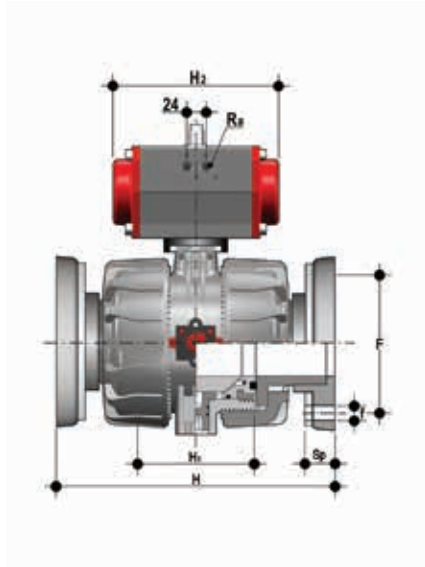
VKDGV/CP NO

Two way DUAL BLOCK® ball valve with JIS thread female ends with pneumatic actuator, Normally Open function

R	DN	PN	E	H	H ₁	L	Z	H ₂	R _a	g	EPDM Code	FKM Code
2 1/2"	65	10	164	235	133	35	165	210	G1/4"	7170	VKDGVNO212E	VKDGVNO212F
3"	80	10	203	270	149	40	190	228	G1/4"	11450	VKDGVNO300E	VKDGVNO300F
4"	100	10	238	308	167	45	218	280.5	G1/4"	17280	VKDGVNO400E	VKDGVNO400F

DIMENSIONS

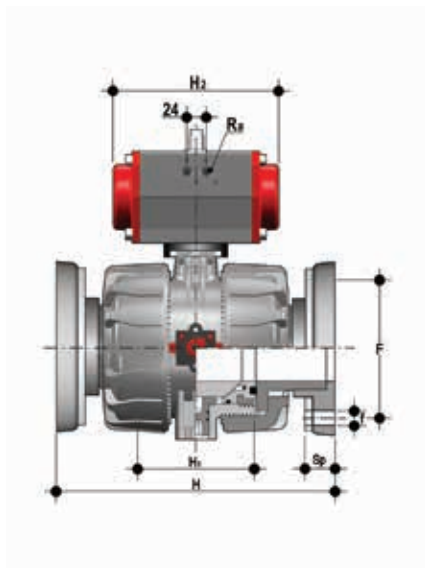
VKD/CP DN 65÷100 PVC-U



VKDOV/CP DA

DUAL BLOCK® Ball Valve with fixed flanges EN/ISO/DIN PN 10/16, face to face dimensions as per EN 558-1 with pneumatic actuator, Double-Acting function

d	DN	PN	H	H ₁	F	f	U	Sp	H ₂	R ₂	g	EPDM Code	FKM Code
75	65	10	290	133	145	17	4	21	155	G1/4"	7630	VKDOVDA075E	VKDOVDA075F
90	80	10	310	149	160	17	4	21.5	210	G1/4"	11650	VKDOVDA090E	VKDOVDA090F
110	100	10	350	167	180	17	4	21.5	228	G1/4"	17335	VKDOVDA110E	VKDOVDA110F



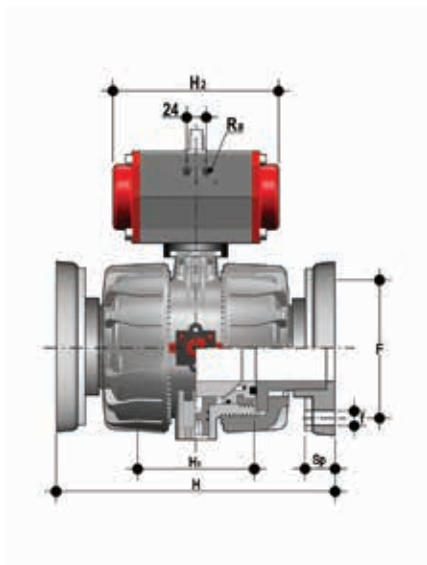
VKDOV/CP NC

DUAL BLOCK® Ball Valve with fixed flanges EN/ISO/DIN PN 10/16, face to face dimensions as per EN 558-1 with pneumatic actuator, Normally Closed function

d	DN	PN	H	H ₁	F	f	U	Sp	H ₂	R ₂	g	EPDM Code	FKM Code
75	65	10	290	133	145	17	4	21	210	G1/4"	9400	VKDOVNC075E	VKDOVNC075F
90	80	10	310	149	160	17	4	21.5	228	G1/4"	13580	VKDOVNC090E	VKDOVNC090F
110	100	10	350	167	180	17	4	21.5	280.5	G1/4"	19955	VKDOVNC110E	VKDOVNC110F

DIMENSIONS

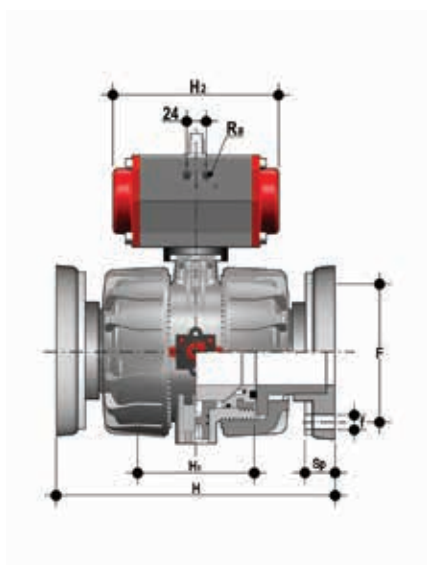
VKD/CP DN 65÷100 PVC-U



VKDOV/CP NO

DUAL BLOCK® Ball Valve with fixed flanges EN/ISO/DIN PN 10/16, face to face dimensions as per EN 558-1 with pneumatic actuator, Normally Open function

d	DN	PN	H	H ₁	F	f	U	Sp	H ₂	R ₁	g	EPDM Code	FKM Code
75	65	10	290	133	145	17	4	21	210	G1/4"	9400	VKDOVNO075E	VKDOVNO075F
90	80	10	310	149	160	17	4	21.5	228	G1/4"	13580	VKDOVNO090E	VKDOVNO090F
110	100	10	350	167	180	17	4	21.5	280.5	G1/4"	19955	VKDOVNO110E	VKDOVNO110F



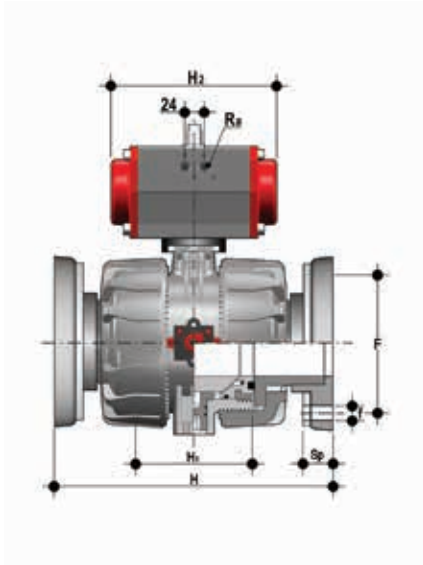
VKDOAV/CP DA

DUAL BLOCK® ball valve with fixed flanges drilled ANSI B16.5 cl.150#FF with pneumatic actuator, Double-Acting function

d	DN	PN	H	H ₁	F	f	U	Sp	H ₂	R ₁	g	EPDM Code	FKM Code
2 1/2	65	10	290	133	139.7	18	4	21	155	G1/4"	7630	VKDOVDA075E	VKDOVDA075F
3"	80	10	310	149	152.4	18	4	21.5	210	G1/4"	11650	VKDOVDA090E	VKDOVDA090F
4"	100	10	350	167	190.5	18	4	21.5	228	G1/4"	17335	VKDOVDA110E	VKDOVDA110F

DIMENSIONS

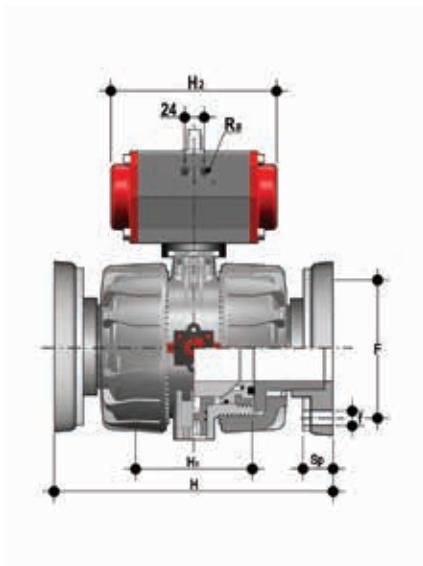
VKD/CP DN 65÷100 PVC-U



VKDOAV/CP NC

DUAL BLOCK® ball valve with fixed flanges drilled ANSI B16.5 cl.150#FF with pneumatic actuator, Normally Closed function

d	DN	PN	H	H ₁	F	f	U	Sp	H ₂	R _n	g	EPDM Code	FKM Code
2"1/2	65	10	290	133	139.7	18	4	21	210	G1/4"	9400	VKDOVNC075E	VKDOVNC075F
3"	80	10	310	149	152.4	18	4	21.5	228	G1/4"	13580	VKDOVNC090E	VKDOVNC090F
4"	100	10	350	167	190.5	18	4	21.5	280.5	G1/4"	19955	VKDOVNC110E	VKDOVNC110F



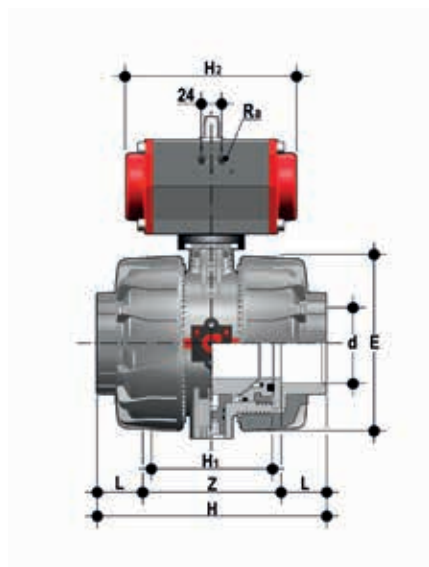
VKDOAV/CP NO

DUAL BLOCK® ball valve with fixed flanges drilled ANSI B16.5 cl.150#FF with pneumatic actuator, Normally Open function

d	DN	PN	H	H ₁	F	f	U	Sp	H ₂	R _n	g	EPDM Code	FKM Code
2"1/2	65	10	290	133	139.7	18	4	21	210	G1/4"	9400	VKDOVNO075E	VKDOVNO075F
3"	80	10	310	149	152.4	18	4	21.5	228	G1/4"	13580	VKDOVNO090E	VKDOVNO090F
4"	100	10	350	167	190.5	18	4	21.5	280.5	G1/4"	19955	VKDOVNO110E	VKDOVNO110F

DIMENSIONS

VKD/CP DN 65÷100 PVC-C

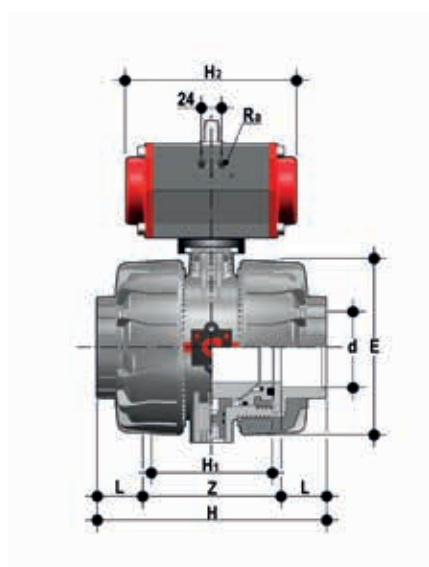


VKDIC/CP DA

DUAL BLOCK® ball valve with female ends for solvent welding, metric series with pneumatic actuator, Double-Acting function

d	DN	*PN	E	H	H ₁	L	Z	H ₂	R _a	g	EPDM Code	FKM Code
75	65	10	164	235	133	44	147	155	G1/4"	5770	VKDICDA075E	VKDICDA075F
90	80	10	203	270	149	51	168	210	G1/4"	10158	VKDICDA090E	VKDICDA090F
110	100	10	238	308	167	61	186	228	G1/4"	15657	VKDICDA110E	VKDICDA110F

* PN 16 upon request



VKDIC/CP NC

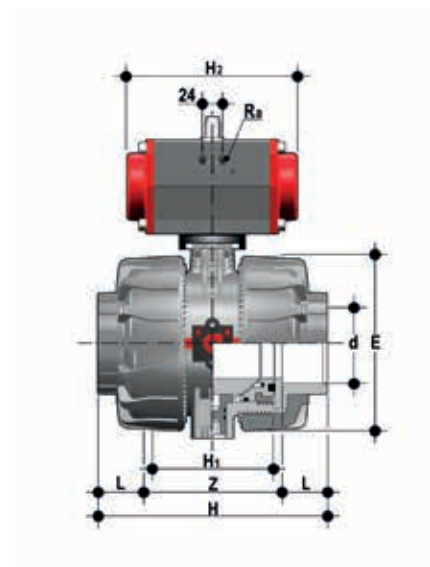
DUAL BLOCK® ball valve with female ends for solvent welding, metric series with pneumatic actuator, Normally Closed function

d	DN	*PN	E	H	H ₁	L	Z	H ₂	R _a	g	EPDM Code	FKM Code
75	65	10	164	235	133	44	147	210	G1/4"	7540	VKDICNC075E	VKDICNC075F
90	80	10	203	270	149	51	168	228	G1/4"	12088	VKDICNC090E	VKDICNC090F
110	100	10	238	308	167	61	186	280.5	G1/4"	18277	VKDICNC110E	VKDICNC110F

* PN 16 upon request

DIMENSIONS

VKD/CP DN 65÷100 PVC-C

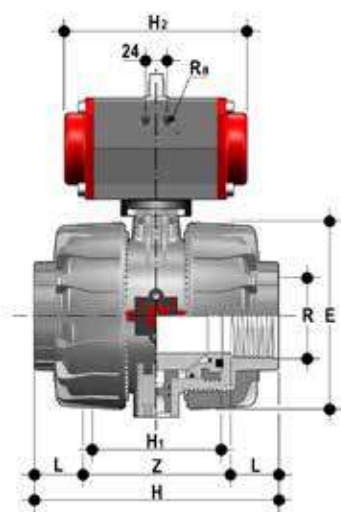


VKDIC/CP NO

DUAL BLOCK® ball valve with female ends for solvent welding, metric series with pneumatic actuator, Normally Open function

d	DN	*PN	E	H	H ₁	L	Z	H ₂	R _a	g	EPDM Code	FKM Code
75	65	10	164	235	133	44	147	210	G1/4"	7540	VKDICNO075E	VKDICNO075F
90	80	10	203	270	149	51	168	228	G1/4"	12088	VKDICNO090E	VKDICNO090F
110	100	10	238	308	167	61	186	280.5	G1/4"	18277	VKDICNO110E	VKDICNO110F

* PN 16 upon request



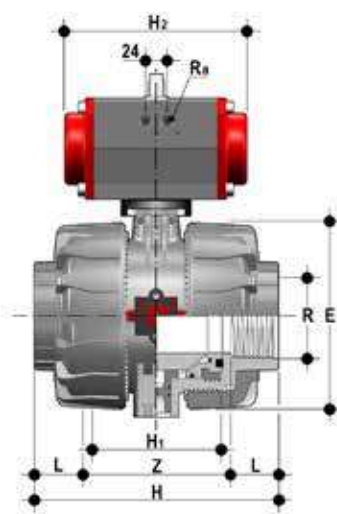
VKDNC/CP DA

Two way DUAL BLOCK® ball valve with NPT thread female ends with pneumatic actuator, Double-Acting function

R	DN	PN	E	H	H ₁	L	Z	H ₂	R _a	g	EPDM Code	FKM Code
2 1/2"	65	10	164	235	133	33.2	168.6	155	G1/4"	5770	VKDNCDA212E	VKDNCDA212F
3"	80	10	203	270	149	35.5	199	210	G1/4"	10158	VKDNCDA300E	VKDNCDA300F
4"	100	10	238	308	167	37.6	232.8	228	G1/4"	15657	VKDNCDA400E	VKDNCDA400F

DIMENSIONS

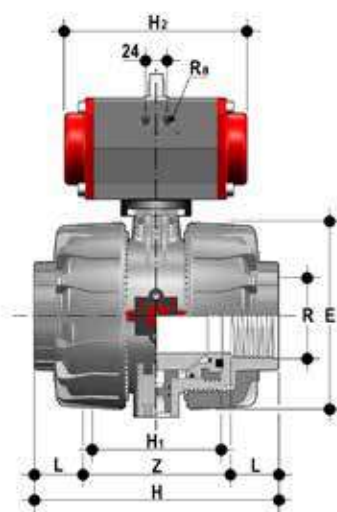
VKD/CP DN 65÷100 PVC-C



VKDNC/CP NC

Two way DUAL BLOCK® ball valve with NPT thread female ends with pneumatic actuator, Normally Closed function

R	DN	PN	E	H	H ₁	L	Z	H ₂	R _a	g	EPDM Code	FKM Code
2 1/2"	65	10	164	235	133	33.2	168.6	210	G1/4"	7540	VKDNCNC212E	VKDNCNC212F
3"	80	10	203	270	149	35.5	199	228	G1/4"	12088	VKDNCNC300E	VKDNCNC300F
4"	100	10	238	308	167	37.6	232.8	280.5	G1/4"	18277	VKDNCNC400E	VKDNCNC400F



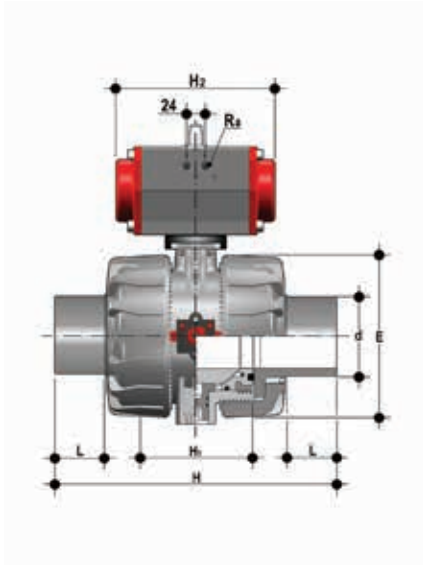
VKDNC/CP NO

Two way DUAL BLOCK® ball valve with NPT thread female ends with pneumatic actuator, Normally Open function

R	DN	PN	E	H	H ₁	L	Z	H ₂	R _a	g	EPDM Code	FKM Code
2 1/2"	65	10	164	235	133	33.2	168.6	210	G1/4"	7540	VKDNCNO212E	VKDNCNO212F
3"	80	10	203	270	149	35.5	199	228	G1/4"	12088	VKDNCNO300E	VKDNCNO300F
4"	100	10	238	308	167	37.6	232.8	280.5	G1/4"	18277	VKDNCNO400E	VKDNCNO400F

DIMENSIONS

VKD/CP DN 65÷100 PVC-C

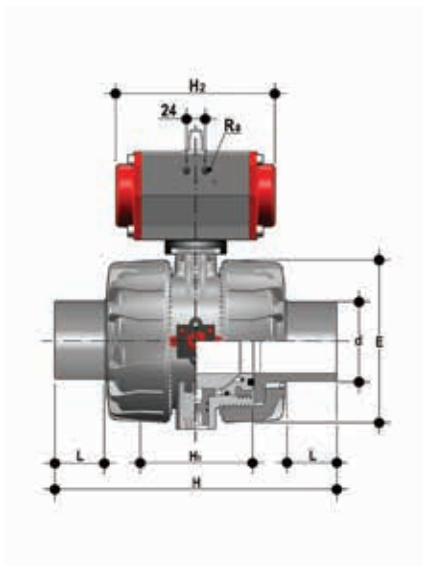


VKDDC/CP DA

DUAL BLOCK® ball valve with male ends for solvent welding, metric series with pneumatic actuator, Double-Acting function

d	DN	*PN	E	H	H ₁	L	H ₂	R ₁	R ₂	g	EPDM Code	FKM Code
75	65	10	164	284	133	44	155	G1/4"	G1/4"	5770	VKDDCDA075E	VKDDCDA075F
90	80	10	203	300	149	51	210	G1/4"	G1/4"	10158	VKDDCDA090E	VKDDCDA090F
110	100	10	238	340	167	61	228	G1/4"	G1/4"	15657	VKDDCDA110E	VKDDCDA110F

* PN 16 upon request



VKDDC/CP NC

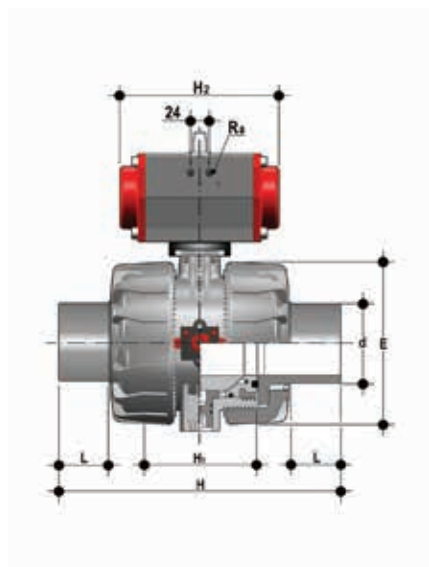
DUAL BLOCK® ball valve with male ends for solvent welding, metric series with pneumatic actuator, Normally Closed function

d	DN	*PN	E	H	H ₁	L	H ₂	R ₁	R ₂	g	EPDM Code	FKM Code
75	65	10	164	284	133	44	210	G1/4"	G1/4"	7540	VKDDCNC075E	VKDDCNC075F
90	80	10	203	300	149	51	228	G1/4"	G1/4"	12088	VKDDCNC090E	VKDDCNC090F
110	100	10	238	340	167	61	280.5	G1/4"	G1/4"	18277	VKDDCNC110E	VKDDCNC110F

* PN 16 upon request

DIMENSIONS

VKD/CP DN 65÷100 PVC-C

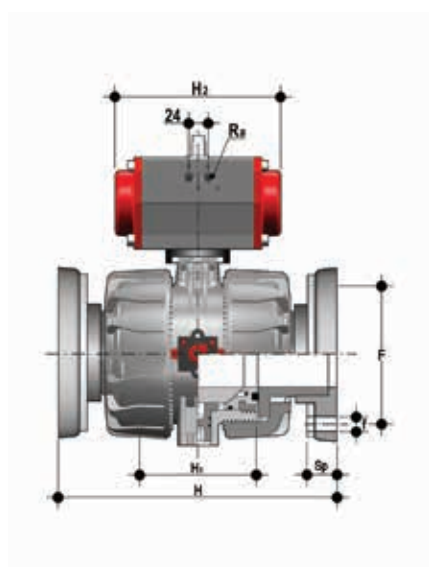


VKDDC/CP NO

DUAL BLOCK® ball valve with male ends for solvent welding, metric series with pneumatic actuator, Normally Open function

d	DN	*PN	E	H	H ₁	L	H ₂	R _a	g	EPDM Code	FKM Code
75	65	10	164	284	133	44	210	G1/4"	7540	VKDDCNO075E	VKDDCNO075F
90	80	10	203	300	149	51	228	G1/4"	12088	VKDDCNO090E	VKDDCNO090F
110	100	10	238	340	167	61	280.5	G1/4"	18277	VKDDCNO110E	VKDDCNO110F

* PN 16 upon request



VKDOC/CP DA

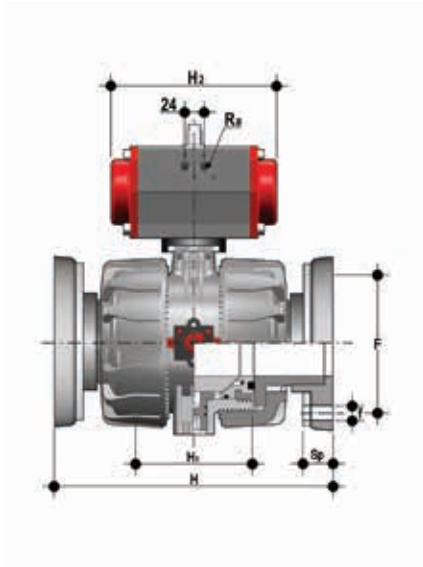
DUAL BLOCK® Ball Valve with fixed flanges, drilled EN/ISO/DIN PN 10/16, face to face dimensions as per EN 558-1 with pneumatic actuator, Double-Acting function

d	DN	*PN	H	H ₁	F	f	U	Sp	H ₂	R _g	g	EPDM Code	FKM Code
75	65	10	290	133	145	17	4	21	155	G1/4"	8257	VKDOCDA075E	VKDOCDA075F
90	80	10	310	149	160	17	4	21.5	210	G1/4"	12535	VKDOCDA090E	VKDOCDA090F
110	100	10	350	167	180	17	4	21.5	228	G1/4"	18646	VKDOCDA110E	VKDOCDA110F

* PN 16 upon request

DIMENSIONS

VKD/CP DN 65÷100 PVC-C

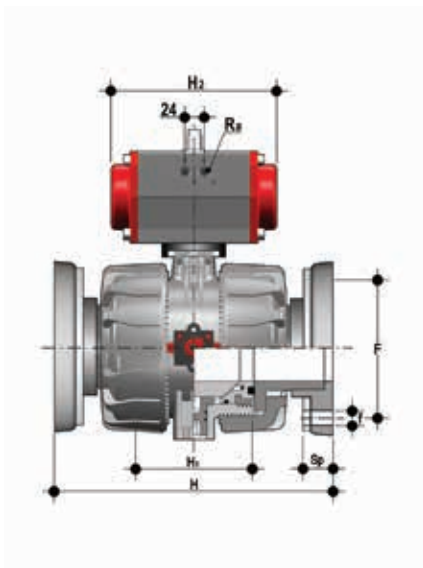


VKDOC/CP NC

DUAL BLOCK® Ball Valve with fixed flanges, drilled EN/ISO/DIN PN 10/16, face to face dimensions as per EN 558-1 with pneumatic actuator, Normally Closed function

d	DN	*PN	H	H ₁	F	f	U	Sp	H ₂	R ₁	g	EPDM Code	FKM Code
75	65	10	290	133	145	17	4	21	210	G1/4"	10027	VKDOCNC075E	VKDOCNC075F
90	80	10	310	149	160	17	4	21.5	228	G1/4"	14465	VKDOCNC090E	VKDOCNC090F
110	100	10	350	167	180	17	4	21.5	280.5	G1/4"	21266	VKDOCNC110E	VKDOCNC110F

* PN 16 upon request



VKDOC/CP NO

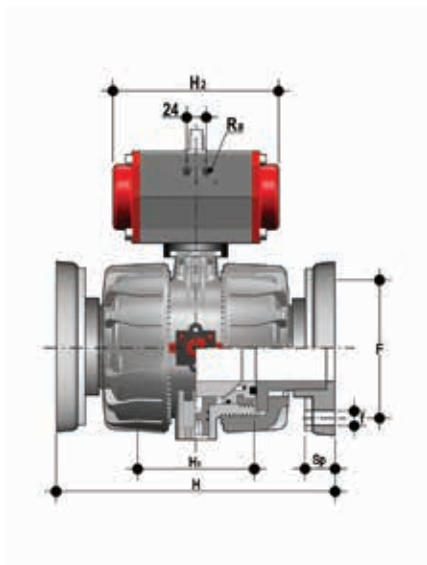
DUAL BLOCK® Ball Valve with fixed flanges, drilled EN/ISO/DIN PN 10/16, face to face dimensions as per EN 558-1 with pneumatic actuator, Normally Open function

d	DN	*PN	H	H ₁	F	f	U	Sp	H ₂	R ₁	g	EPDM Code	FKM Code
75	65	10	290	133	145	17	4	21	210	G1/4"	10027	VKDOCNO075E	VKDOCNO075F
90	80	10	310	149	160	17	4	21.5	228	G1/4"	14465	VKDOCNO090E	VKDOCNO090F
110	100	10	350	167	180	17	4	21.5	280.5	G1/4"	21266	VKDOCNO110E	VKDOCNO110F

* PN 16 upon request

DIMENSIONS

VKD/CP DN 65÷100 PVC-C

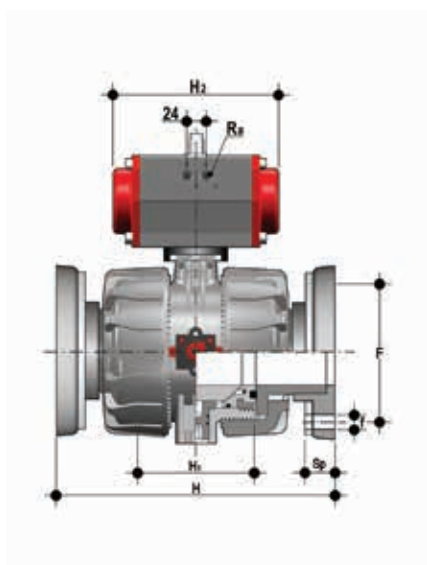


VKDOAC/CP DA

DUAL BLOCK® ball valve with fixed flanges drilled ANSI B16.5 cl.150#FF with pneumatic actuator, Double-Acting function

d	DN	*PN	H	H ₁	F	f	U	Sp	H ₂	R ₂	g	EPDM Code	FKM Code
2"1/2	65	10	290	133	139.7	18	4	21	155	G1/4"	8257	VKDOACDA075E	VKDOACDA075F
3"	80	10	310	149	152.4	18	4	21.5	210	G1/4"	12535	VKDOACDA090E	VKDOACDA090F
4"	100	10	350	167	190.5	18	4	21.5	228	G1/4"	18646	VKDOACDA110E	VKDOACDA110F

* PN 16 upon request



VKDOAC/CP NC

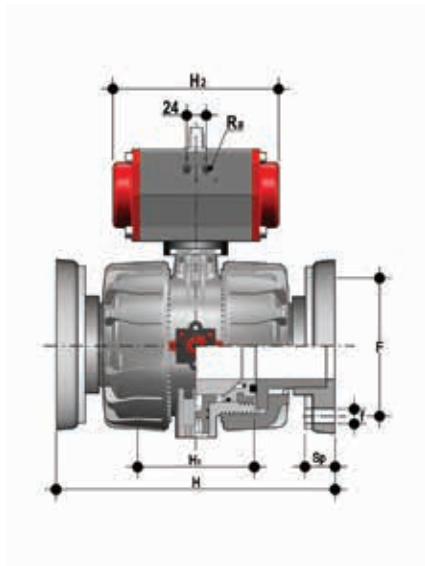
DUAL BLOCK® ball valve with fixed flanges drilled ANSI B16.5 cl.150#FF with pneumatic actuator, Normally Closed function

d	DN	*PN	H	H ₁	F	f	U	Sp	H ₂	R ₂	g	EPDM Code	FKM Code
2"1/2	65	10	290	133	139.7	18	4	21	210	G1/4"	10027	VKDOACNC075E	VKDOACNC075F
3"	80	10	310	149	152.4	18	4	21.5	228	G1/4"	14465	VKDOACNC090E	VKDOACNC090F
4"	100	10	350	167	190.5	18	4	21.5	280.5	G1/4"	21266	VKDOACNC110E	VKDOACNC110F

* PN 16 upon request

DIMENSIONS

VKD/CP DN 65÷100 PVC-C

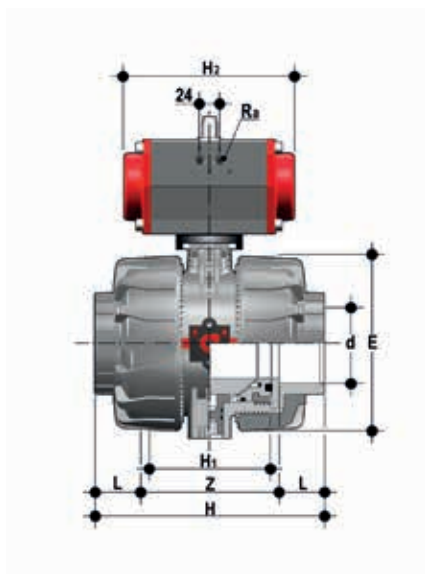


VKDOAC/CP NO

DUAL BLOCK® ball valve with fixed flanges drilled ANSI B16.5 cl.150#FF with pneumatic actuator, Normally Open function

d	DN	*PN	H	H ₁	F	f	U	Sp	H ₂	R ₂	g	EPDM Code	FKM Code
2"1/2	65	10	290	133	139.7	18	4	21	210	G1/4"	10027	VKDOCNO075E	VKDOCNO075F
3"	80	10	310	149	152.4	18	4	21.5	228	G1/4"	14465	VKDOCNO090E	VKDOCNO090F
4"	100	10	350	167	190.5	18	4	21.5	280.5	G1/4"	21266	VKDOCNO110E	VKDOCNO110F

* PN 16 upon request



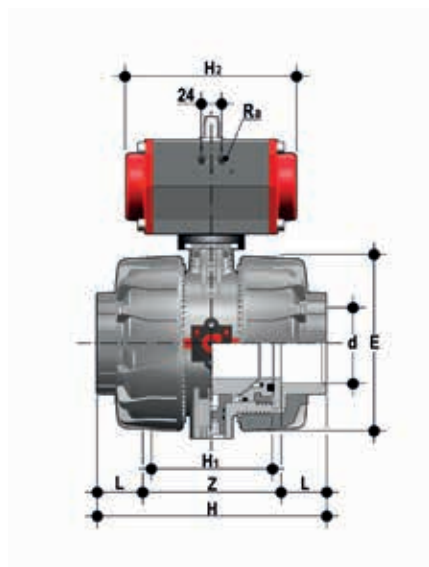
VKDAC/CP DA

Two way DUAL BLOCK® ball valve with female ends for solvent welding, ASTM series with pneumatic actuator, Double-Acting function

d	DN	PN	E	H	H ₁	L	Z	H ₂	R ₂	g	EPDM Code	FKM Code
2"1/2	65	10	164	235	133	44.5	146	155	G1/4"	5770	VKDACDA212E	VKDACDA212F
3"	80	10	203	270	149	48	174	210	G1/4"	10158	VKDACDA300E	VKDACDA300F
4"	100	10	238	308	167	57.5	193	228	G1/4"	15657	VKDACDA400E	VKDACDA400F

DIMENSIONS

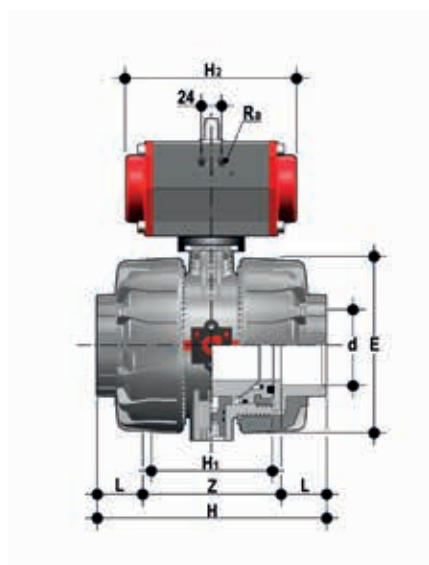
VKD/CP DN 65÷100 PVC-C



VKDAC/CP NC

Two way DUAL BLOCK® ball valve with female ends for solvent welding, ASTM series with pneumatic actuator, Normally Closed function

d	DN	PN	E	H	H ₁	L	Z	H ₂	R _a	g	EPDM Code	FKM Code
2 1/2"	65	10	164	235	133	44.5	146	210	G1/4"	7540	VKDACNC212E	VKDACNC212F
3"	80	10	203	270	149	48	174	228	G1/4"	12088	VKDACNC300E	VKDACNC300F
4"	100	10	238	308	167	57.5	193	280.5	G1/4"	18277	VKDACNC400E	VKDACNC400F



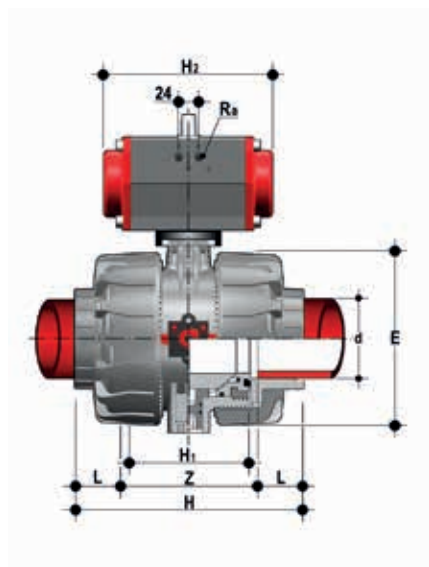
VKDAC/CP NO

Two way DUAL BLOCK® ball valve with female ends for solvent welding, ASTM series with pneumatic actuator, Normally Open function

d	DN	PN	E	H	H ₁	L	Z	H ₂	R _a	g	EPDM Code	FKM Code
2 1/2"	65	10	164	235	133	44.5	146	210	G1/4"	7540	VKDACNO212E	VKDACNO212F
3"	80	10	203	270	149	48	174	228	G1/4"	12088	VKDACNO300E	VKDACNO300F
4"	100	10	238	308	167	57.5	193	280.5	G1/4"	18277	VKDACNO400E	VKDACNO400F

DIMENSIONS

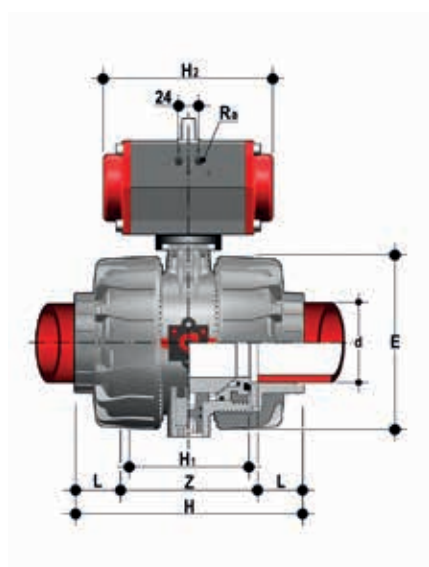
VKD/CP DN 65÷100 PP-H



VKDIM/CP DA

DUAL BLOCK® ball valve with female ends for socket welding, metric series with pneumatic actuator, Double-Acting function

d	DN	PN	E	H	H ₁	L	Z	H ₂	R _a	g	EPDM Code	FKM Code
75	65	10	164	213	133	33	147	155	G1/4"	4110	VKDIMDA075E	VKDIMDA075F
90	80	10	203	239	149	36	168	210	G1/4"	7400	VKDIMDA090E	VKDIMDA090F
110	100	10	238	268	167	41	186	228	G1/4"	11245	VKDIMDA110E	VKDIMDA110F



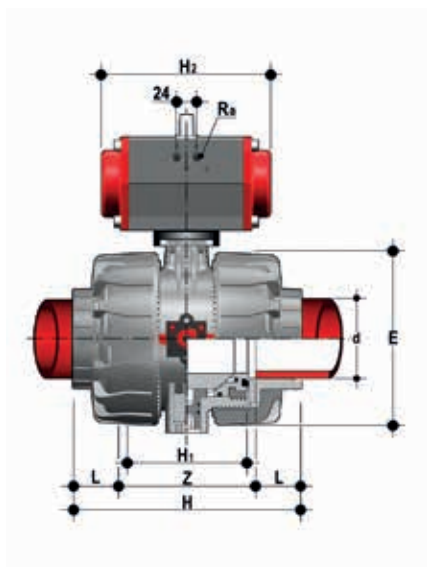
VKDIM/CP NC

DUAL BLOCK® ball valve with female ends for socket welding, metric series with pneumatic actuator, Normally Closed function

d	DN	PN	E	H	H ₁	L	Z	H ₂	R _a	g	EPDM Code	FKM Code
75	65	10	164	213	133	33	147	210	G1/4"	5880	VKDIMNC075E	VKDIMNC075F
90	80	10	203	239	149	36	168	228	G1/4"	9330	VKDIMNC090E	VKDIMNC090F
110	100	10	238	268	167	41	186	280.5	G1/4"	13865	VKDIMNC110E	VKDIMNC110F

DIMENSIONS

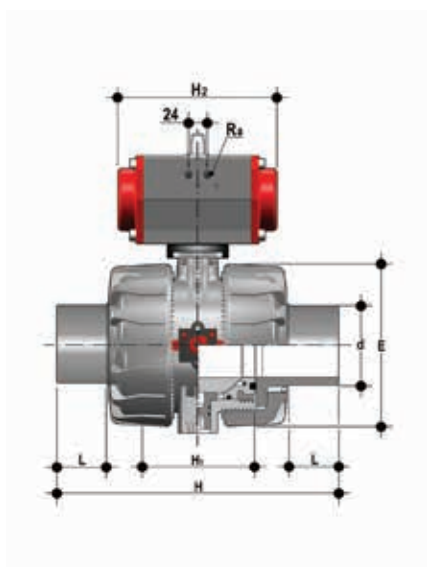
VKD/CP DN 65÷100 PP-H



VKDIM/CP NO

DUAL BLOCK® ball valve with female ends for socket welding, metric series with pneumatic actuator, Normally Open function

d	DN	PN	E	H	H ₁	L	Z	H ₂	R _a	g	EPDM Code	FKM Code
75	65	10	164	213	133	33	147	210	G1/4"	5880	VKDIMNO075E	VKDIMNO075F
90	80	10	203	239	149	36	168	228	G1/4"	9330	VKDIMNO090E	VKDIMNO090F
110	100	10	238	268	167	41	186	280.5	G1/4"	13865	VKDIMNO110E	VKDIMNO110F



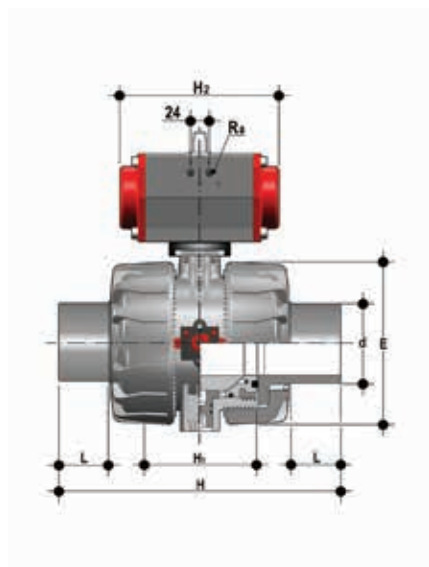
VKDDM/CP DA

DUAL BLOCK® ball valve with male ends for socket welding, metric series with pneumatic actuator, Double-Acting function

d	DN	PN	E	H	H ₁	L	H ₂	R _a	g	EPDM Code	FKM Code
75	65	10	164	284	133	36.5	155	G1/4"	4110	VKDDMDA075E	VKDDMDA075F
90	80	10	203	300	149	37.5	210	G1/4"	7400	VKDDMDA090E	VKDDMDA090F
110	100	10	238	340	167	42.5	228	G1/4"	11245	VKDDMDA110E	VKDDMDA110F

DIMENSIONS

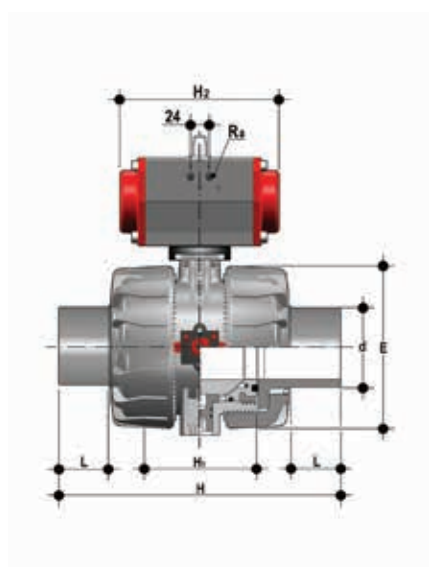
VKD/CP DN 65÷100 PP-H



VKDDM/CP NC

DUAL BLOCK® ball valve with male ends for socket welding, metric series with pneumatic actuator, Normally Closed function

d	DN	PN	E	H	H ₁	L	H ₂	R _o	g	EPDM Code	FKM Code
75	65	10	164	284	133	36.5	210	G1/4"	5880	VKDDMNC075E	VKDDMNC075F
90	80	10	203	300	149	37.5	228	G1/4"	9330	VKDDMNC090E	VKDDMNC090F
110	100	10	238	340	167	42.5	280.5	G1/4"	13865	VKDDMNC110E	VKDDMNC110F



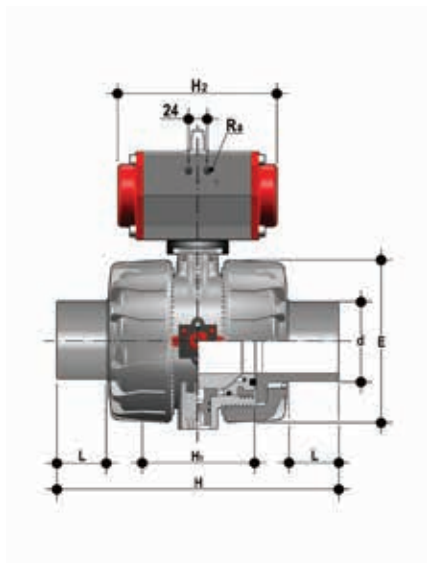
VKDDM/CP NO

DUAL BLOCK® ball valve with male ends for socket welding, metric series with pneumatic actuator, Normally Open function

d	DN	PN	E	H	H ₁	L	H ₂	R _o	g	EPDM Code	FKM Code
75	65	10	164	284	133	36.5	210	G1/4"	5880	VKDDMNO075E	VKDDMNO075F
90	80	10	203	300	149	37.5	228	G1/4"	9330	VKDDMNO090E	VKDDMNO090F
110	100	10	238	340	167	42.5	280.5	G1/4"	13865	VKDDMNO110E	VKDDMNO110F

DIMENSIONS

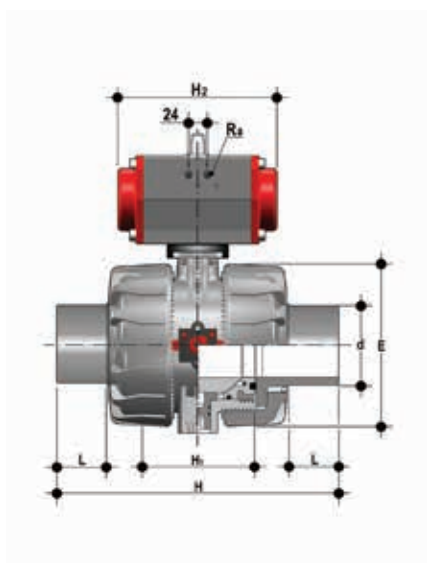
VKD/CP DN 65÷100 PP-H



VKDBM/CP DA

2 way DUAL BLOCK® ball valve with long spigot male ends in PP-H SDR21 for head welding (CVDM) with pneumatic actuator, Double-Acting function

d	DN	PN	E	H	H ₁	L	H ₂	g	EPDM Code	FKM Code
75	65	10	162	356	133	71	155	4110	VKDBMDA075E	VKDBMDA075F
90	80	10	202	390	149	88	210	7400	VKDBMDA090E	VKDBMDA090F
110	100	10	236	431	167	92	228	11245	VKDBMDA110E	VKDBMDA110F



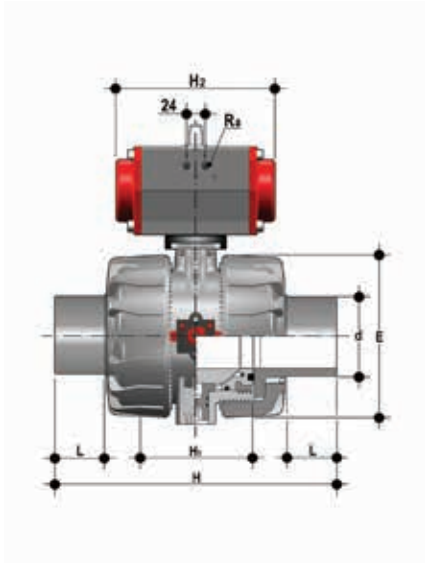
VKDBM/CP NC

2 way DUAL BLOCK® ball valve with long spigot male ends in PP-H SDR21 for head welding (CVDM) with pneumatic actuator, Normally Closed function

R	DN	PN	E	H	H ₁	L	H ₂	g	EPDM Code	FKM Code
75	65	10	162	356	133	71	210	5880	VKDBMNC075E	VKDBMNC075F
90	80	10	202	390	149	88	228	9330	VKDBMNC090E	VKDBMNC090F
110	100	10	236	431	167	92	280.5	13865	VKDBMNC110E	VKDBMNC110F

DIMENSIONS

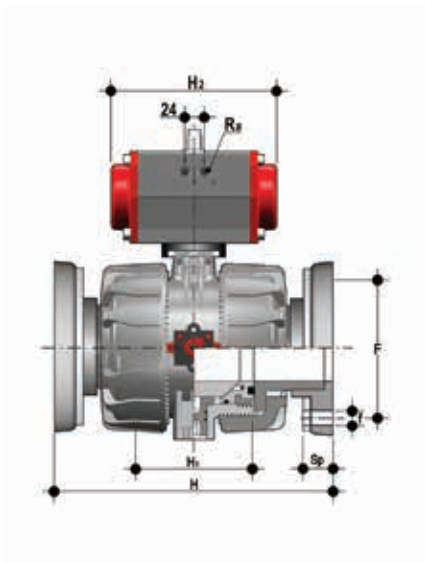
VKD/CP DN 65÷100 PP-H



VKDBM/CP NO

2 way DUAL BLOCK® ball valve with long spigot male ends in PP-H SDR21 for head welding (CVD) with pneumatic actuator, Normally Open function

d	DN	PN	E	H	H ₁	L	H ₂	g	EPDM Code	FKM Code
75	65	10	162	356	133	71	210	5880	VKDBMNO075E	VKDBMNO075F
90	80	10	202	390	149	88	228	9330	VKDBMNO090E	VKDBMNO090F
110	100	10	236	431	167	92	280.5	13865	VKDBMNO110E	VKDBMNO110F



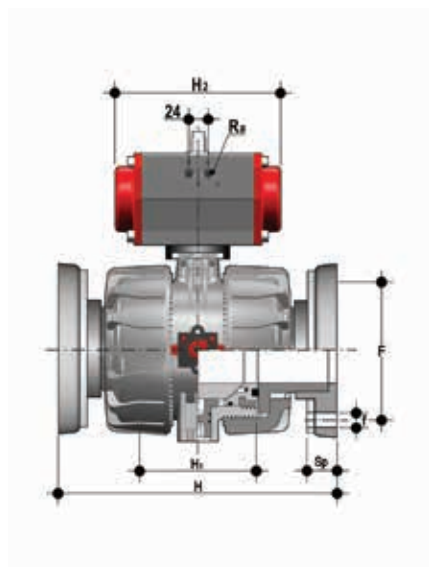
VKDOM/CP DA

DUAL BLOCK® Ball Valve with fixed flanges, drilled EN/ISO/DIN PN 10/16, face to face dimensions as per EN 558-1 with pneumatic actuator, Double-Acting function

d	DN	PN	H	H ₁	F	f	U	Sp	H ₂	R _o	g	EPDM Code	FKM Code
75	65	10	290	133	145	17	4	24	155	G1/4"	5520	VKDOMDA075E	VKDOMDA075F
90	80	10	310	149	160	17	4	24.5	210	G1/4"	8775	VKDOMDA090E	VKDOMDA090F
110	100	10	350	167	180	17	4	24.5	228	G1/4"	12610	VKDOMDA110E	VKDOMDA110F

DIMENSIONS

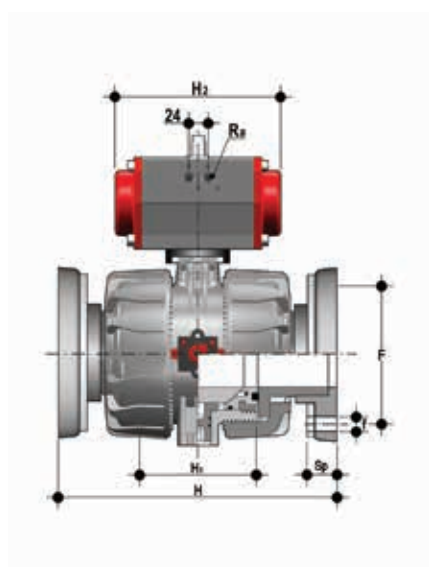
VKD/CP DN 65÷100 PP-H



VKDOM/CP NC

DUAL BLOCK® Ball Valve with fixed flanges, drilled EN/ISO/DIN PN 10/16, face to face dimensions as per EN 558-1 with pneumatic actuator, Normally Closed function

d	DN	PN	H	H ₁	F	f	U	Sp	H ₂	R _n	g	EPDM Code	FKM Code
75	65	10	290	133	145	17	4	24	210	G1/4"	7290	VKDOMNC075E	VKDOMNC075F
90	80	10	310	149	160	17	4	24.5	228	G1/4"	10705	VKDOMNC090E	VKDOMNC090F
110	100	10	350	167	180	17	4	24.5	280.5	G1/4"	15230	VKDOMNC110E	VKDOMNC110F



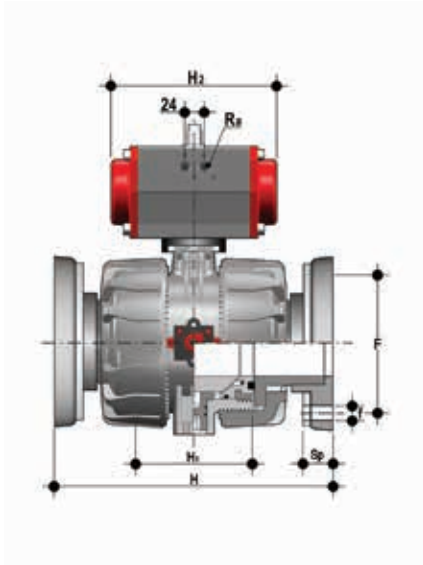
VKDOM/CP NO

DUAL BLOCK® Ball Valve with fixed flanges, drilled EN/ISO/DIN PN 10/16, face to face dimensions as per EN 558-1 with pneumatic actuator, Normally Open function

d	DN	PN	H	H ₁	F	f	U	Sp	H ₂	R _n	g	EPDM Code	FKM Code
75	65	10	290	133	145	17	4	24	210	G1/4"	7290	VKDOMNO075E	VKDOMNO075F
90	80	10	310	149	160	17	4	24.5	228	G1/4"	10705	VKDOMNO090E	VKDOMNO090F
110	100	10	350	167	180	17	4	24.5	280.5	G1/4"	15230	VKDOMNO110E	VKDOMNO110F

DIMENSIONS

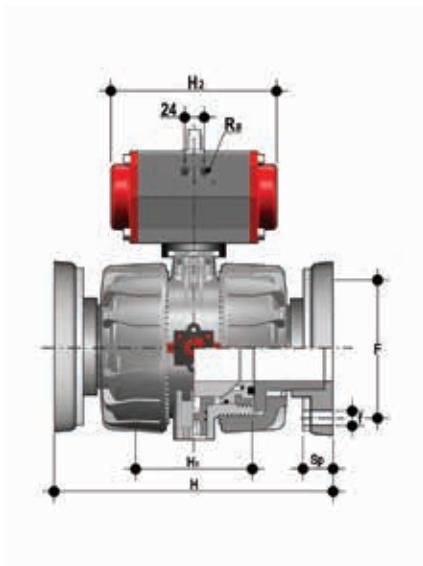
VKD/CP DN 65÷100 PP-H



VKDOAM/CP DA

DUAL BLOCK® ball valve with fixed flanges drilled ANSI B16.5 cl.150#FF with pneumatic actuator, Double-Acting function

d	DN	PN	H	H ₁	F	f	U	Sp	H ₂	R ₂	g	EPDM Code	FKM Code
2"1/2	65	10	290	133	139.7	18	4	24	155	G1/4"	5520	VKDOMDA075E	VKDOMDA075F
3"	80	10	310	149	152.4	18	4	24.5	210	G1/4"	8775	VKDOMDA090E	VKDOMDA090F
4"	100	10	350	167	190.5	18	4	24.5	228	G1/4"	12610	VKDOMDA110E	VKDOMDA110F



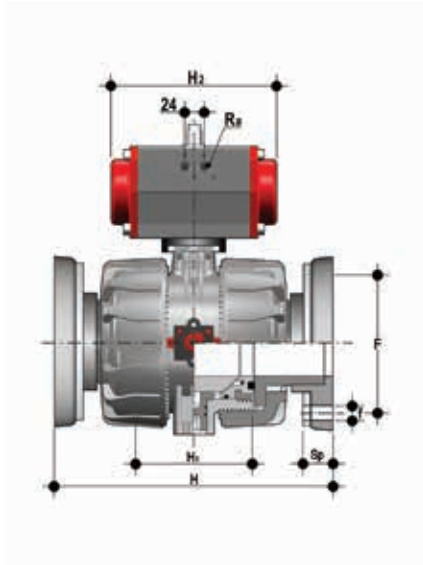
VKDOAM/CP NC

DUAL BLOCK® ball valve with fixed flanges drilled ANSI B16.5 cl.150#FF with pneumatic actuator, Normally Closed function

d	DN	PN	H	H ₁	F	f	U	Sp	H ₂	R ₂	g	EPDM Code	FKM Code
2"1/2	65	10	290	133	139.7	18	4	24	210	G1/4"	7290	VKDOMNC075E	VKDOMNC075F
3"	80	10	310	149	152.4	18	4	24.5	228	G1/4"	10705	VKDOMNC090E	VKDOMNC090F
4"	100	10	350	167	190.5	18	4	24.5	280.5	G1/4"	15230	VKDOMNC110E	VKDOMNC110F

DIMENSIONS

VKD/CP DN 65÷100 PP-H



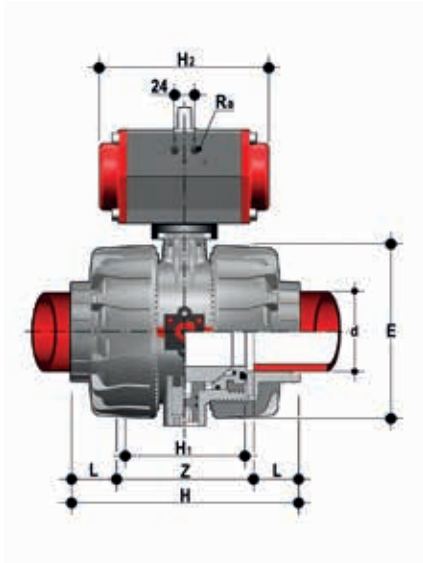
VKDOAM/CP NO

DUAL BLOCK® ball valve with fixed flanges drilled ANSI B16.5 cl.150#FF with pneumatic actuator, Normally Open function

d	DN	PN	H	H ₁	F	f	U	Sp	H ₂	R ₂	g	Code	Code
2"1/2	65	10	290	133	139.7	18	4	24	210	G1/4"	7290	VKDOMNO075E	VKDOMNO075F
3"	80	10	310	149	152.4	18	4	24.5	228	G1/4"	10705	VKDOMNO090E	VKDOMNO090F
4"	100	10	350	167	190.5	18	4	24.5	280.5	G1/4"	15230	VKDOMNO110E	VKDOMNO110F

DIMENSIONS

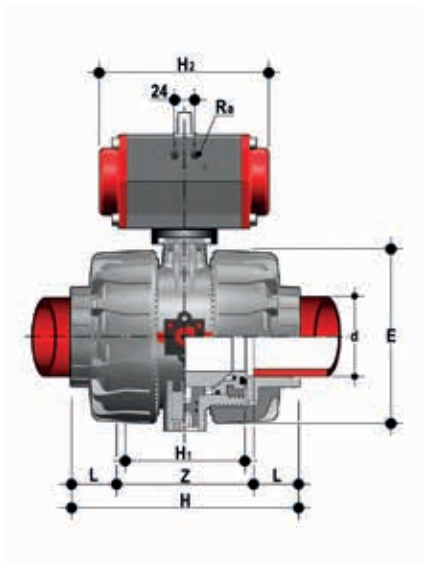
VKD/CP DN 65÷100 PVDF



VKDIF/CP DA

DUAL BLOCK® ball valve with female ends for socket welding, metric series with pneumatic actuator, Double-Acting function

d	DN	*PN	E	H	H ₁	L	Z	H ₂	R _g	g	FKM Code
75	65	10	164	213	133	33	147	155	G1/4"	6673	VKDIFDA075F
90	80	10	203	239	149	36	168	210	G1/4"	11910	VKDIFDA090F
110	100	10	238	268	167	41	186	228	G1/4"	18170	VKDIFDA110F



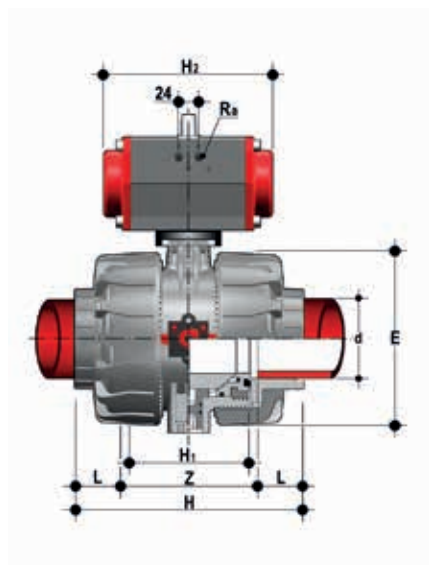
VKDIF/CP NC

DUAL BLOCK® ball valve with female ends for socket welding, metric series with pneumatic actuator, Normally Closed function

d	DN	*PN	E	H	H ₁	L	Z	H ₂	R _g	g	FKM Code
75	65	10	164	213	133	33	147	210	G1/4"	8443	VKDIFNC075F
90	80	10	203	239	149	36	168	228	G1/4"	13840	VKDIFNC090F
110	100	10	238	268	167	41	186	280.5	G1/4"	20790	VKDIFNC110F

DIMENSIONS

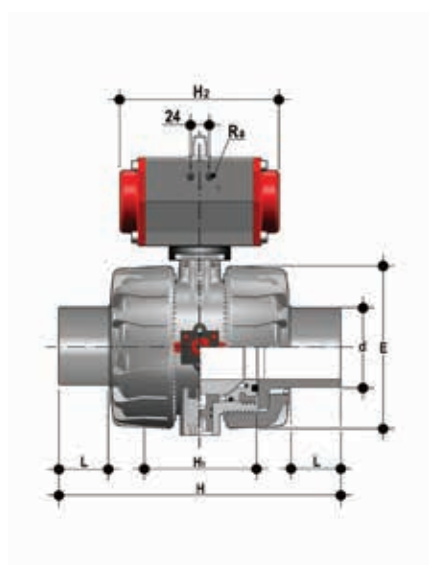
VKD/CP DN 65÷100 PVDF



VKDIF/CP NO

DUAL BLOCK® ball valve with female ends for socket welding, metric series with pneumatic actuator, Normally Open function

d	DN	*PN	E	H	H ₁	L	Z	H ₂	R _a	g	FKM Code
75	65	10	164	213	133	33	147	210	G1/4"	8443	VKDIFNO075F
90	80	10	203	239	149	36	168	228	G1/4"	13840	VKDIFNO090F
110	100	10	238	268	167	41	186	280.5	G1/4"	20790	VKDIFNO110F



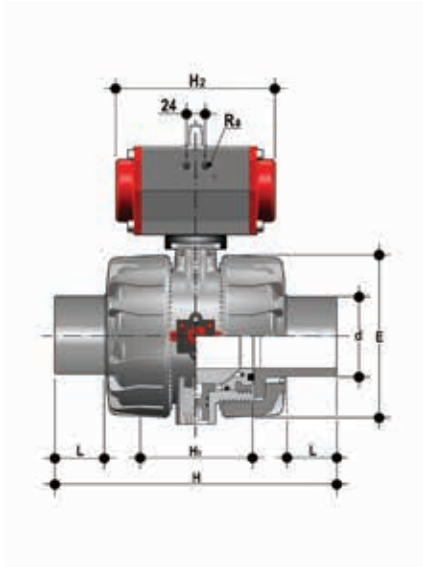
VKDDF/CP DA

DUAL BLOCK® ball valve with male ends for socket welding, metric series with pneumatic actuator, Double-Acting function

d	DN	PN	E	H	H ₁	L	H ₂	R _a	g	FKM Code
75	65	10	164	284	133	36.5	155	G1/4"	6673	VKDDFDA075F
90	80	10	203	300	149	37.5	210	G1/4"	11910	VKDDFDA090F
110	100	10	238	340	167	42.5	228	G1/4"	18170	VKDDFDA110F

DIMENSIONS

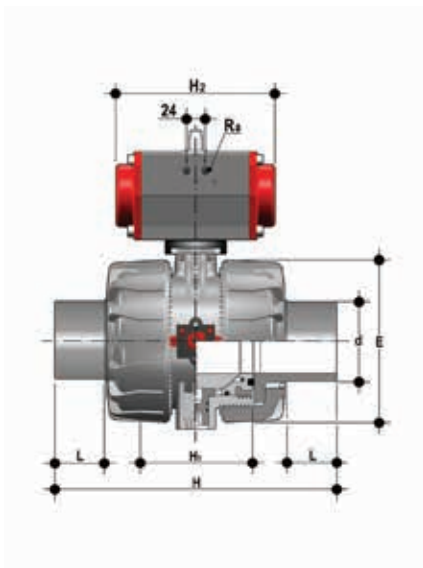
VKD/CP DN 65÷100 PVDF



VKDDF/CP NC

DUAL BLOCK® ball valve with male ends for socket welding, metric series with pneumatic actuator, Normally Closed function

d	DN	PN	E	H	H ₁	L	H ₂	R _a	g	FKM Code
75	65	10	164	284	133	36.5	210	G1/4"	8443	VKDDFNC075F
90	80	10	203	300	149	37.5	228	G1/4"	13840	VKDDFNC090F
110	100	10	238	340	167	42.5	280.5	G1/4"	20790	VKDDFNC110F



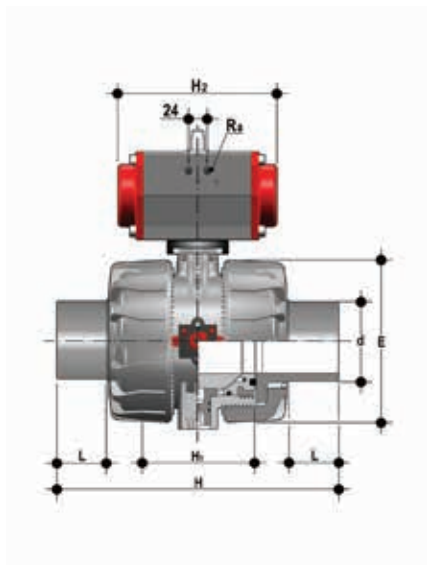
VKDDF/CP NO

DUAL BLOCK® ball valve with male ends for socket welding, metric series with pneumatic actuator, Normally Open function

d	DN	PN	E	H	H ₁	L	H ₂	R _a	g	FKM Code
75	65	10	164	284	133	36.5	210	G1/4"	8443	VKDDFNO075F
90	80	10	203	300	149	37.5	228	G1/4"	13840	VKDDFNO090F
110	100	10	238	340	167	42.5	280.5	G1/4"	20790	VKDDFNO110F

DIMENSIONS

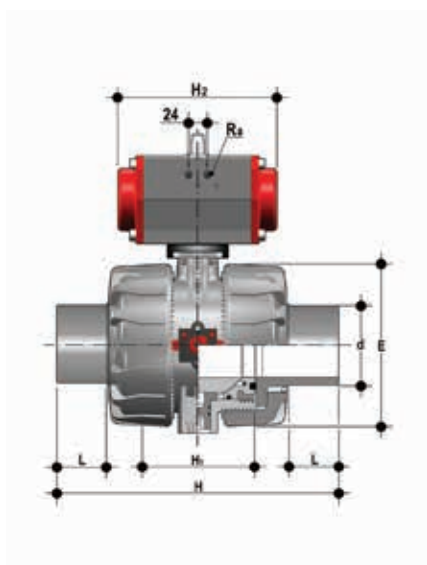
VKD/CP DN 65÷100 PVDF



VKDBF/CP DA

2 way DUAL BLOCK® ball valve with long spigot male ends in PVDF SDR21 for head welding/IR (CVDF) with pneumatic actuator, Double-Acting function

d	DN	PN	E	H	H ₁	L	H ₂	g	FKM Code
75	65	10	162	284	133	71	155	6673	VKDBFDA075F
90	80	10	202	300	149	88	210	11910	VKDBFDA090F
110	100	10	236	340	167	92	228	18170	VKDBFDA110F



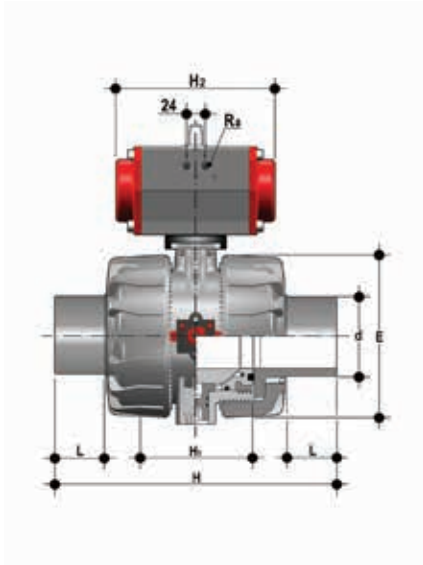
VKDBF/CP NC

2 way DUAL BLOCK® ball valve with long spigot male ends in PVDF SDR21 for head welding/IR (CVDF) with pneumatic actuator, Normally Closed function

d	DN	PN	E	H	H ₁	L	H ₂	g	FKM Code
75	65	10	162	284	133	71	210	8443	VKDBFNC075F
90	80	10	202	300	149	88	228	13840	VKDBFNC090F
110	100	10	236	340	167	92	280.5	20790	VKDBFNC110F

DIMENSIONS

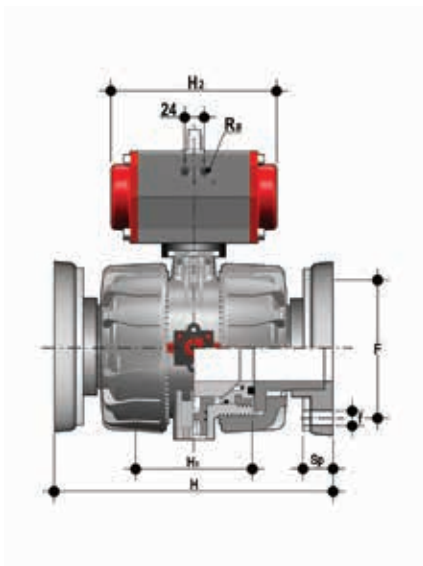
VKD/CP DN 65÷100 PVDF



VKDBF/CP NO

2 way DUAL BLOCK® ball valve with long spigot male ends in PVDF SDR21 for head welding/IR (CVDF) with pneumatic actuator, Normally Open function

d	DN	PN	E	H	H ₁	L	H ₂	g	FKM Code
75	65	10	162	284	133	71	210	8443	VKDBFNO075F
90	80	10	202	300	149	88	228	13840	VKDBFNO090F
110	100	10	236	340	167	92	280.5	20790	VKDBFNO110F



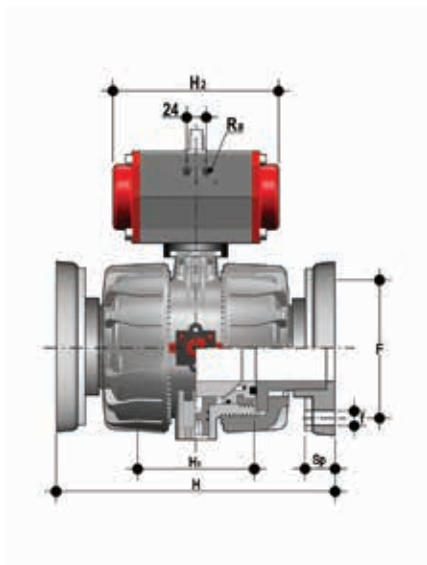
VKDOF/CP DA

DUAL BLOCK® Ball Valve with fixed flanges, drilled EN/ISO/DIN PN 10/16, face to face dimensions as per EN 558-1 with pneumatic actuator, Double-Acting function

d	DN	*PN	H	H ₁	F	f	U	Sp	H ₂	R _g	g	FKM Code
75	65	10	290	133	145	17	4	21	155	G1/4"	9608	VKDOFDA075F
90	80	10	310	149	160	17	4	21.5	210	G1/4"	14442	VKDOFDA090F
110	100	10	350	167	180	17	4	21.5	228	G1/4"	21469	VKDOFDA110F

DIMENSIONS

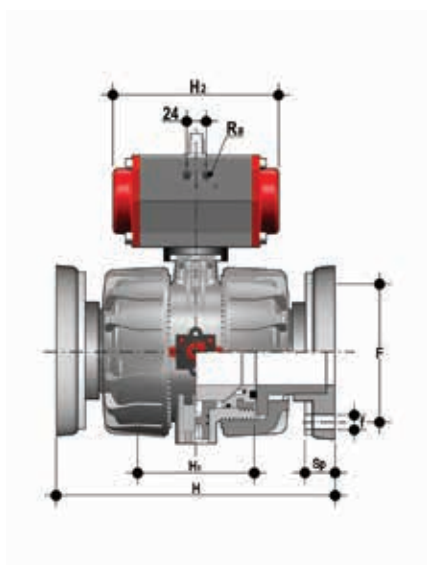
VKD/CP DN 65÷100 PVDF



VKDOF/CP NC

DUAL BLOCK® Ball Valve with fixed flanges, drilled EN/ISO/DIN PN 10/16, face to face dimensions as per EN 558-1 with pneumatic actuator, Normally Closed function

d	DN	*PN	H	H ₁	F	f	U	Sp	H ₂	R _o	g	FKM Code
75	65	10	290	133	145	17	4	21	210	G1/4"	11378	VKDOFNC075F
90	80	10	310	149	160	17	4	21.5	228	G1/4"	16372	VKDOFNC090F
110	100	10	350	167	180	17	4	21.5	280.5	G1/4"	24089	VKDOFNC110F



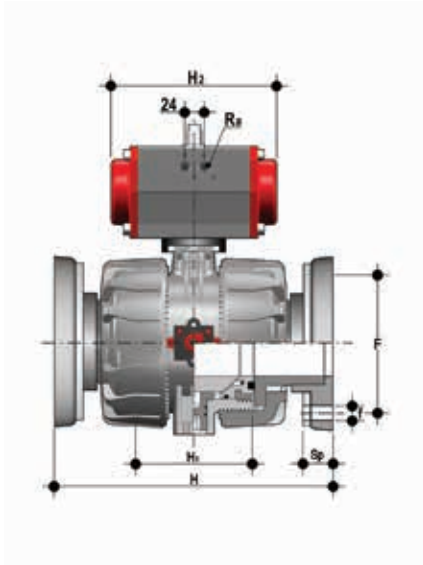
VKDOF/CP NO

DUAL BLOCK® Ball Valve with fixed flanges, drilled EN/ISO/DIN PN 10/16, face to face dimensions as per EN 558-1 with pneumatic actuator, Normally Open function

d	DN	*PN	H	H ₁	F	f	U	Sp	H ₂	R _o	g	FKM Code
75	65	10	290	133	145	17	4	21	210	G1/4"	11378	VKDOFNO075F
90	80	10	310	149	160	17	4	21.5	228	G1/4"	16372	VKDOFNO090F
110	100	10	350	167	180	17	4	21.5	280.5	G1/4"	24089	VKDOFNO110F

DIMENSIONS

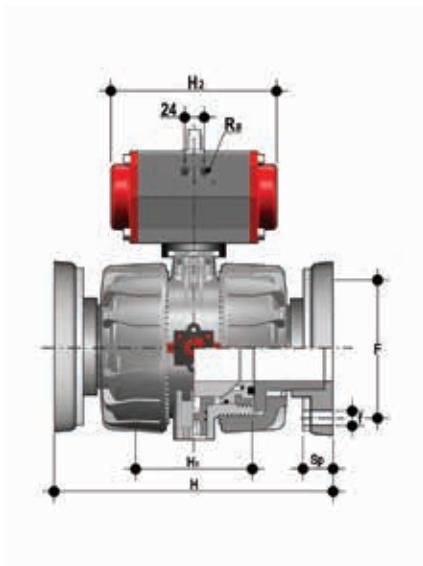
VKD/CP DN 65÷100 PVDF



VKDOAF/CP DA

DUAL BLOCK® ball valve with fixed flanges drilled ANSI B16.5 cl.150#FF with pneumatic actuator, Double-Acting function

d	DN	*PN	H	H ₁	F	f	U	Sp	H ₂	R _g	g	FKM Code
2"1/2	65	10	290	133	139.7	18	4	21	155	G1/4"	9608	VKDOFDA075F
3"	80	10	310	149	152.4	18	4	21.5	210	G1/4"	14442	VKDOFDA090F
4"	100	10	350	167	190.5	18	4	21.5	228	G1/4"	21469	VKDOFDA110F



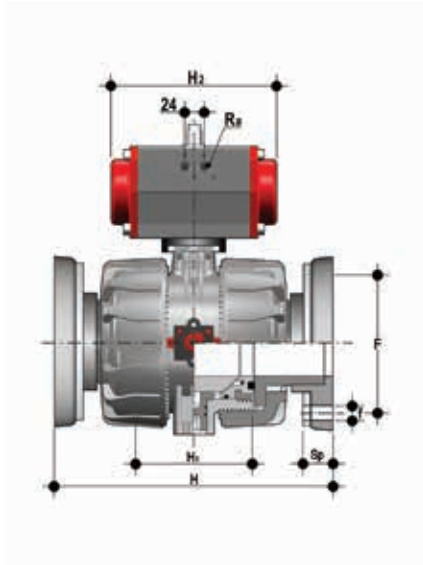
VKDOAF/CP NC

DUAL BLOCK® ball valve with fixed flanges drilled ANSI B16.5 cl.150#FF with pneumatic actuator, Normally Closed function

d	DN	*PN	H	H ₁	F	f	U	Sp	H ₂	R _g	g	FKM Code
2"1/2	65	10	290	133	139.7	18	4	21	210	G1/4"	11378	VKDOFNC075F
3"	80	10	310	149	152.4	18	4	21.5	228	G1/4"	16372	VKDOFNC090F
4"	100	10	350	167	190.5	18	4	21.5	280.5	G1/4"	24089	VKDOFNC110F

DIMENSIONS

VKD/CP DN 65÷100 PVDF



VKDOAF/CP NO

DUAL BLOCK® ball valve with fixed flanges drilled ANSI B16.5 cl.150#FF with pneumatic actuator, Normally Open function

d	DN	*PN	H	H ₁	F	f	U	Sp	H ₂	R ₂	g	FKM Code
2"1/2	65	10	290	133	139.7	18	4	21	210	G1/4"	11378	VKDOFNO075F
3"	80	10	310	149	152.4	18	4	21.5	228	G1/4"	16372	VKDOFNO090F
4"	100	10	350	167	190.5	18	4	21.5	280.5	G1/4"	24089	VKDOFNO110F

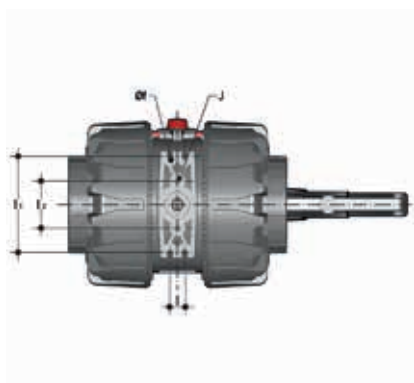
FASTENING AND SUPPORTING



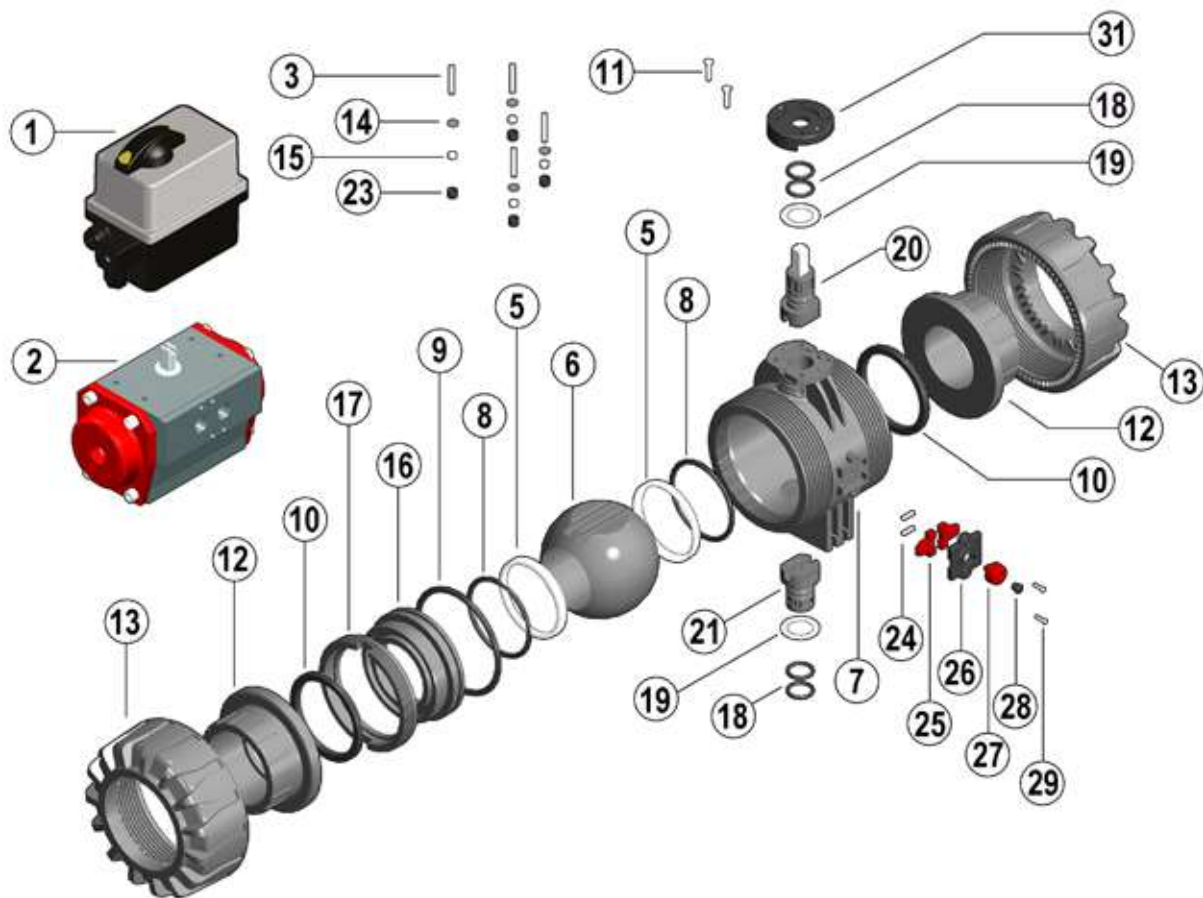
All valves, whether manual or actuated, must be adequately supported in many applications.

The VKD valve series is therefore set to be provided with threaded brackets (optional) that permit direct anchoring of the valve body without the need of other components.

d	DN	J	f	l	l ₁	l ₂
75	65	M6	6.3	17.4	90	51.8
90	80	M6	8.4	21.2	112.6	63
110	100	M8	8.4	21.2	137	67



COMPONENTS



- | | | |
|--|---|--|
| 1 Electric actuator (PA6 - Nylon - 1) | 11 Screw (STAINLESS steel - 2) | 21 Lower Stem (PVC-U / PVC-C / PP-H / PVDF / Stainless steel - 1) |
| 2 Pneumatic actuator (Finished aluminium - 1) | 12 End connector (PVC-U / PVC-C / PP-H / PVDF - 2) | 23 Protection plug (PE - 4) |
| 3 Screw (Stainless steel - 4) | 13 Union nut (PVC-U / PVC-C / PP-H / PVDF - 2) | 24 Spring (stainless steel - 2) |
| 5 Gasket carrier (PTFE - 2)* | 14 Stop washer (Stainless steel - 4) | 25 Union nut lock (PP-GR - 2) |
| 6 Ball (PVC-U / PVC-C / PP-H / PVDF - 1) | 16 Ball seat carrier (PVC-U / PVC-C / PP-H / PVDF - 1) | 26 Bonnet (PP - 1) |
| 7 Body (PVC-U / PVC-C / PP-H / PVDF - 1) | 17 Stop ring (PVC-U / PVC-C / PP-H / PVDF - 1) | 27 Union nut lock knob (PP-GR - 1) |
| 8 Seal carrier O-Ring (EPDM-FKM - 2)* | 18 Stem seal (EPDM - FKM - 4)* | 28 Protection plug (PE - 1) |
| 9 Radial seal (EPDM - FKM - 1)* | 19 Anti-friction washer (PTFE - 2)* | 29 Screw (Nylon - 2) |
| 10 Special socket seal (EPDM-FKM - 2)* | 20 Upper stem (PVC-U / PVC-C / PP-H / PVDF - 1) | 31 Automation plate (PP-GR - 1) |

* Spare parts

The material the component is made of and the quantity supplied are shown in brackets

FASTENING AND SUPPORTING

DISASSEMBLY

- 1) Isolate the valve from the line (release the pressure and empty the pipeline).
- 2) Disconnect the actuator from the compressed air supply and/or power mains.
- 3) Release the union nuts by rotating the button (27) to the left, pointing the arrow on the open lock (fig. 1).
- 4) Unscrew the union nuts (13) and extract the body (7) (fig. 2).
- 5) Before dismantling, hold the valve in a vertical position and open it 45° to drain any liquid that might remain.
- 6) Open the valve.
- 7) Insert the two supplied wrench protrusions in the corresponding apertures on the stop ring (17), extracting it by rotating counter-clockwise with the ball seat carrier (16) (fig. 3).
- 8) Press on the ball (6), being careful not to scratch it, and remove it from the body.
- 9) Remove the protection plugs (23), bolts (3) with washers (14) and lift the valve actuator (1/2).
- 10) Press the upper stem (20) inwards and extract it from the body and remove the lower stem (21). Remove the anti-friction disks (19).
- 11) Remove the O-Ring (8, 9, 10, 18) and PTFE ball seats (5) extracting them from their grooves, as illustrated in the exploded view.

ASSEMBLY

- 1) All the O-rings (8, 9, 10, 18) must be inserted in their grooves as shown in the exploded view.
- 2) Place the anti-friction disks (19) on the stems (20-21) and insert the stems in their housings in the body.
- 3) Place the PTFE ball seats (5) in the housings in the body (7) and in the ball seat carrier (16).
- 4) Insert the ball (6) rotating it to the closed position.
- 5) Insert the carrier with threaded ring (16) into the body and tighten up in the clockwise direction using the supplied handle insert, to limit stop.
- 6) Position the plate (31) on the body and tighten screws (11).
- 7) Position the actuator (1/2) on the valve and tighten the bolts (3) with washers (14) and protection plugs (23).
- 8) Insert the valve between the end connectors (12) and tighten the union nuts (13) making sure that the socket seal O-rings (10) do not exit their seats.
- 9) Lock the union nuts by rotating the knob (27) to the right.
- 10) Reconnect the actuator to the pneumatic and/or power supplies.



All operations on equipment under pressure or containing compressed springs must be carried out under safe conditions for the operator.

Note: during mounting operations, it is advisable to lubricate the rubber seals. Mineral oils are not recommended for this task as they react aggressively with EPDM rubber.

The photos refer to the manual version and are purely exemplary.

Fig. 1



Fig. 2



Fig. 3



INSTALLATION

Before proceeding with installation, please follow these instructions carefully

- 1) Check that the pipes to be connected to the valve are aligned in order to avoid mechanical stress on the threaded joints.
- 2) Make sure the DUAL BLOCK® union nut locking device (27) is in the FREE position.
- 3) Unscrew the union nuts (13) and insert them on the pipe segments.
- 4) Solvent weld or screw the end connectors (12) onto the pipe ends.
- 5) Position the valve body between the end connectors and fully tighten the union nuts (13) clockwise with an appropriate wrench.
- 6) Lock the union nuts rotating the button (27) clockwise (see paragraph "union nut lock").
- 7) If necessary, support the pipework with FIP pipe clips or by means of the carrier built into the valve itself (see paragraph "fastening and supporting").

Adjust the ball seat carriers using the supplied tool (fig. 3). The seals can be adjusted later with the valve installed on the pipe by simply tightening the union nuts. This "micro adjustment", only possible with FIP valves thanks to the patented "Seat stop system", allows the seal to be recovered where PTFE ball seats are worn due to a high number of manoeuvres.

UNION NUT LOCK

Rotate the knob to the left, pointing the arrow on the open lock to unlock DUAL BLOCK®: the valve union nuts are free to rotate clockwise and counter-clockwise. Rotate the knob to the right, pointing the arrow on the closed lock to lock DUAL BLOCK®: the valve union nuts are blocked in the desired position.



WARNINGS

- If volatile liquid such as Hydrogen Peroxide (H₂O₂) or Sodium Hypochlorite (NaClO) is used, for safety reasons we recommend you contact the service centre. These liquids, upon vaporising, could create hazardous over pressures in the area between the body and ball.
- Always avoid sudden closing manoeuvres that can generate water hammer. For this reason, we recommend you equip pneumatic actuators with air speed reducers.



VKR/CE DN 10÷50

PVC-U/PP-H/PVDF

ELECTRICALLY ACTUATED TWO-WAY DUAL BLOCK®
REGULATING BALL VALVE



VKR/CE DN 10÷50

The VKR DUAL BLOCK® valve combines high reliability and safety aspects typical of VKD full bore ball valves with the new flow adjustment function with typical linear curve that meets the most stringent needs typical of industrial applications.



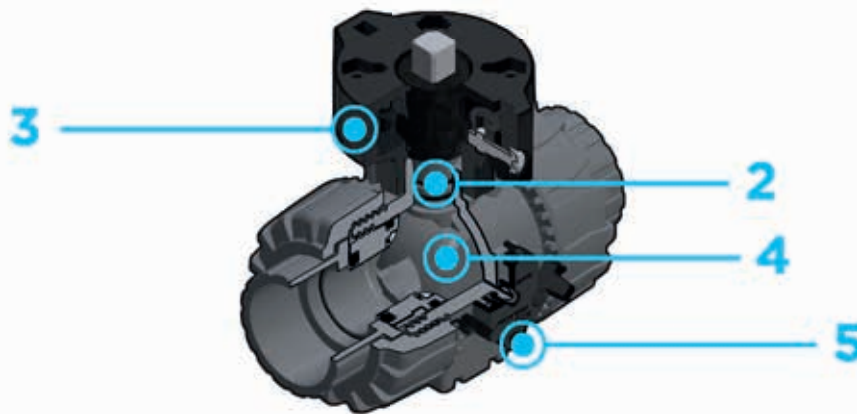
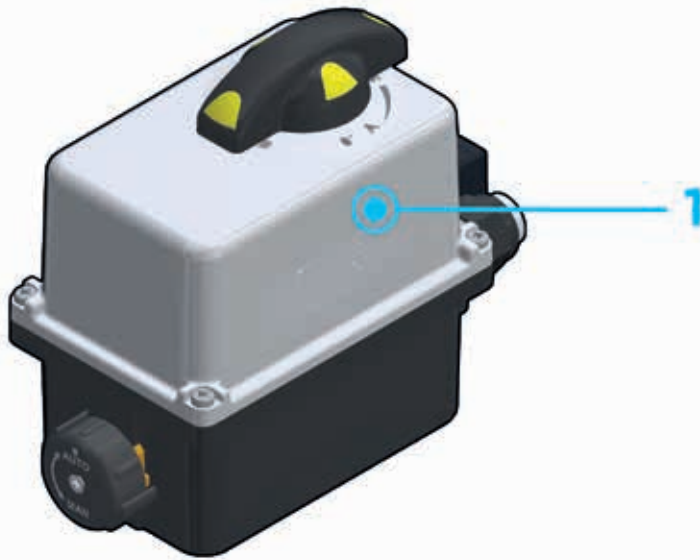
ELECTRICALLY ACTUATED TWO-WAY DUAL BLOCK® REGULATING BALL VALVE

- Joint system for solvent welding (PVC-U only), for welding (PP-H and PVDF only), for threading and flanging
- Patented **SEAT STOP®** ball carrier system that lets you micro-adjust ball seats and minimise the axial force effect.
- Easy radial disassembly allowing quick replacement of O-rings and ball seats without any need for tools
- **Radial dismantling valve body** (True Union) made for PVC-U, PVC-C and PVDF-H injection moulding equipped with built-in bores for actuation. ISO 9393 compliant test requisites
- Option of disassembling downstream pipes with the valve in the closed position
- High surface finish stem with double O-Ring and double groove ball connection
- **Integrated bracket** for valve anchoring
- Ball seat carrier can be adjusted using the **Easytorque adjustment kit**
- Actuation option: version with electric modulating actuator with 4-20 mA / 0-10 V inlet and 4-20 mA / 0-10 V outlet to monitor the position
- Valve suitable for carrying fluids that are clean and free of suspended particles.

Technical specifications - VKR	
Construction	2-way True Union ball valve with locked carrier and union nuts
Size range	DN 10 ÷ 50
Nominal pressure	PVC-U: PN 16 with water at 20° C PP-H: PN10 with water at 20° C PVDF: PN16 with water at 20° C
Temperature range	PVC-U: 0° C ÷ 60° C PP-H: 0° C ÷ 100° C PVDF: -40° C ÷ 140° C
PVC-U coupling standards	Solvent welding: EN ISO 1452, EN ISO 15493, BS 4346-1, DIN 8063, NF T54-028, ASTM D 2467, JIS K 6743. Can be coupled to pipes according to EN ISO 1452, EN ISO 15493, DIN 8062, NF T54-016, ASTM D 1785, JIS K 6741. Thread: ISO 228-1, DIN 2999, ASTM D 2464, JIS B 0203. Flanging system: ISO 7005-1, EN ISO 1452, EN ISO 15493 EN 588-1, DIN 2501, ANSI B.16.5 cl.150, JIS B 2220.
PP-H coupling standards	Welding: EN ISO 15494. Can be coupled to pipes according to EN ISO 15494 Thread: ISO 228-1, DIN 2999 Flanging system: ISO 7005-1, EN 1092-1, EN ISO 15494, EN 558-1, DIN 2501, ANSI B.16.5 cl.
PVDF coupling standards	Welding: EN ISO 10931 Can be coupled to pipes according to EN ISO 10931 Flanging system: ISO 7005-1, EN ISO 10931, EN 558-1, DIN 2501, ANSI B.16.5 cl. 150
Reference standards	PVC-U construction criteria: EN ISO 16135, EN ISO 1452, EN ISO 15493 PP-H construction criteria: EN ISO 16135, EN ISO 15494 PVDF construction criteria: EN ISO 16135, EN ISO 10931 Test methods and requirements: ISO 9393 PVC-U installation criteria: DVS 2204, DVS 2221, UNI 11242 PP-H installation criteria: DVS 2202-1, DVS 2207-11, DVS 2208-1, UNI 11318 PVDF installation criteria: DVS 2202-1, DVS 2207-15, DVS 2208-1 Actuator couplings: ISO 5211
Valve material	PVC-U / PP-H / PVDF
Seal material	EPDM, FKM (standard size O-Ring); PTFE (ball seats)
Control options	Electric actuator

In addition to the manually actuated version, VKR is also available in electrically actuated VKR/CE configuration. Actuators are firmly connected to the valve by the special FIP Power Quick modules fully made of PP-GR technopolymer. VKR/CE are constructed with actuators meeting current regulations and selected by FIP according to their quality and reliability requirements. The efficiency of these valves, tested according to the company's quality standards, is guaranteed by the expertise and know-how that FIP dedicates to manufacturing its products.

Technical specifications - Electric actuator	
Reference standards	<p>Construction criteria: Electromagnetic compatibility EMC 2004/108/CE. Low voltage directive 2006/95/CE. Machinery directive 2006/42/CE. R.O.H.S. directive 2011/65/CE</p> <p>Coupling for valves: ISO 5211; DIN 3337</p>
Actuator material	<p>Plastic parts: PA6,6 FV 30% and Nylon. Metallic parts: 304L stainless steel or steel + tin-plating</p>
Supply Voltage	<p>12-48V DC* - 24V AC/DC - 90-240V AC - 400V three-phase*</p> <p>*voltages available upon request</p>
Temperature range	<p>From -10 °C to +55 °C</p>
Standard equipment	<ul style="list-style-type: none"> • Manual safety override • Visual position indicator • Two auxiliary limit switches (5A) adjustable FC1, FC2 • Torque limiter • Positioner board 4-20 mA or 0-10V • Anti-condensation heating element
Accessories	<ul style="list-style-type: none"> • Fail Safe unit (NC or NO)
Special versions upon request	<ul style="list-style-type: none"> • Protection class IP68 or ATEX II 2 GD EEx d IIB T6
Electrical connection	<ul style="list-style-type: none"> • Power supply: DIN 43650 connector 3P + GND • Limit switch: Cable gland ISO M20



1 Electric modulating actuator constructed according to FIP specifications; with plastic shell and standard emergency override. Available with voltages from 12 to 240V with 4-20mA and 0-10V input.

2 High surface finish stem with double O-Ring. The double connection key system guarantees solid and reliable actuator torque transmission to the ball.

3 Easy to install **PowerQuick** module for pneumatic or electric actuator fully made of highly robust technopolymer.

4 The patented ball design provides linear flow regulation throughout its range of operation even when the valve is open just a few degrees and guarantees minimum pressure drops.

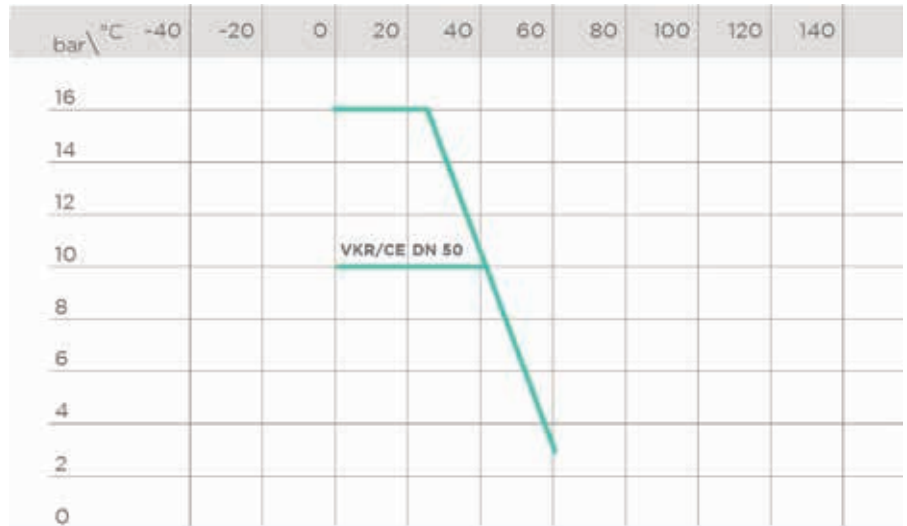
5 Patented **DUAL BLOCK®** system: prevents union nuts from loosening even under extreme operating conditions: e.g. vibration or thermal expansion.

TECHNICAL DATA

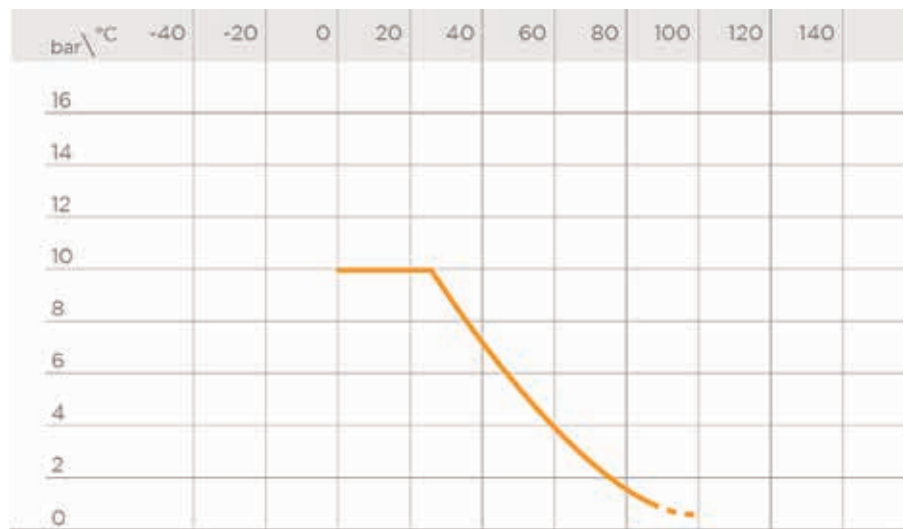
PRESSURE VARIATION ACCORDING TO TEMPERATURE

PVC-U BODY

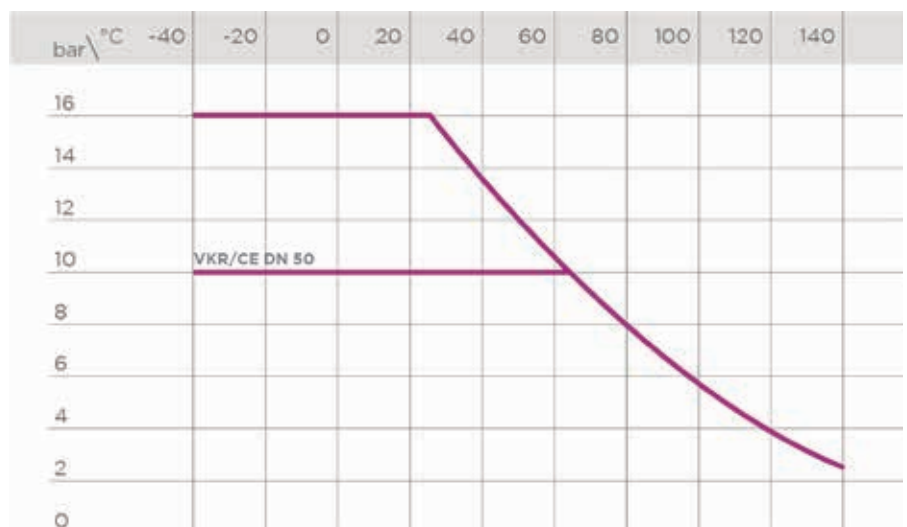
For water and non-hazardous fluids with regard to which the material is classified as CHEMICALLY RESISTANT. In other cases, a reduction of the nominal pressure PN is required (25 years with safety factor).



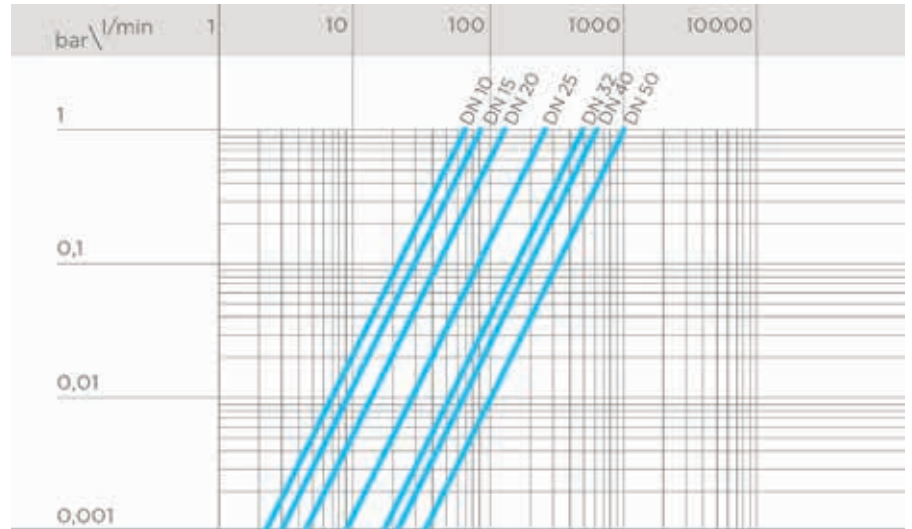
PP-H BODY



PVDF BODY

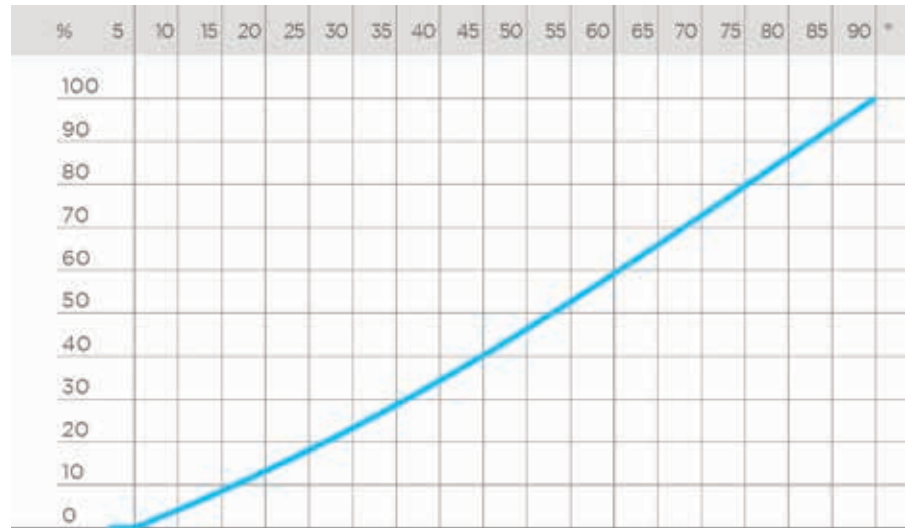


PRESSURE DROP GRAPH



RELATIVE FLOW COEFFICIENT

The relative flow coefficient is the flow rate through the valve as a function of the degree of valve opening.
 X axis: Opening percentage of the ball
 Y axis: Relative flow coefficient



K_{V100} FLOW COEFFICIENT

The K_{V100} flow coefficient is the Q flow of litres per minute of water at a temperature of 20°C that will generate $\Delta p = 1$ bar pressure drop at a certain valve position.
 The K_{V100} values shown in the table are calculated with the valve completely open.

DN	10	15	20	25	32	40	50
K_{V100} l/min	83	88	135	256	478	592	1068

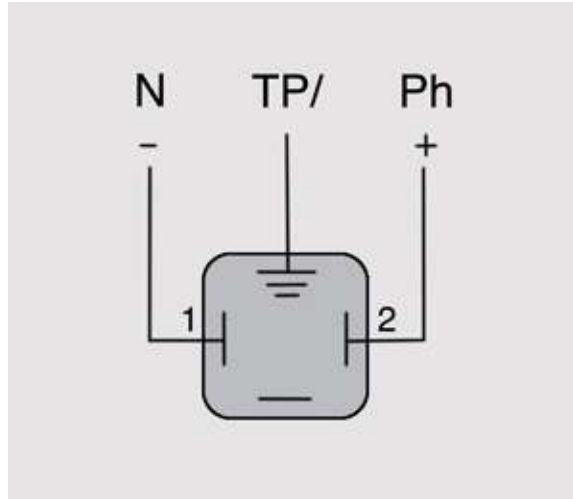
ELECTRIC ACTUATOR DATA

FUNCTIONAL CHARACTERISTICS

Characteristics	DC	AC/DC	AC
Power supply	12V	24V	90÷240V
Power	15W	15W	15W
Max operating time	25 s	25 s	25 s
IEC34 service	50%	50%	50%
Protection class	IP66	IP66	IP66
Frequency	-	50/60 Hz	50/60 Hz

POWER CONNECTION DIAGRAM

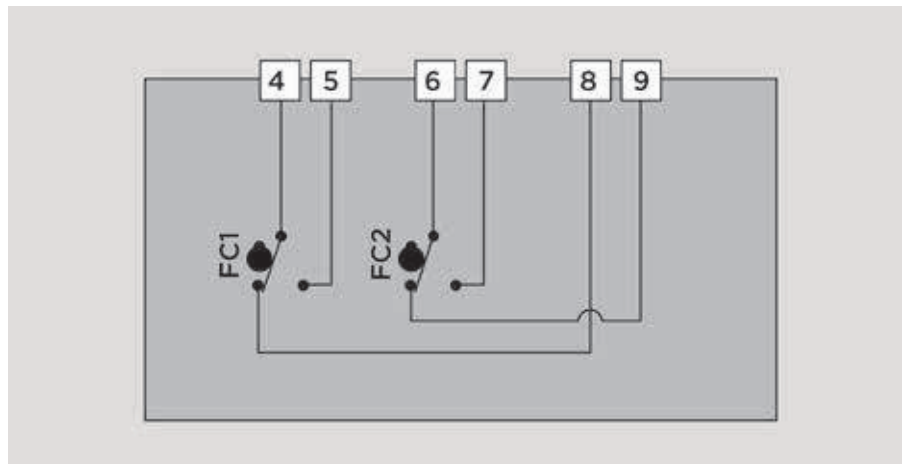
- 1 Shared
- 2 Open
- 3 Closed



AUXILIARY LIMIT SWITCH CONNECTION DIAGRAM

- FC1 Open auxiliary limit switch
- FC2 Close auxiliary limit switch

- 4 Shared FC1
- 5 Open FC1
- 6 Shared FC2
- 7 Open FC2
- 8 Close FC1
- 9 Close FC2



SIGNAL

13 Output +

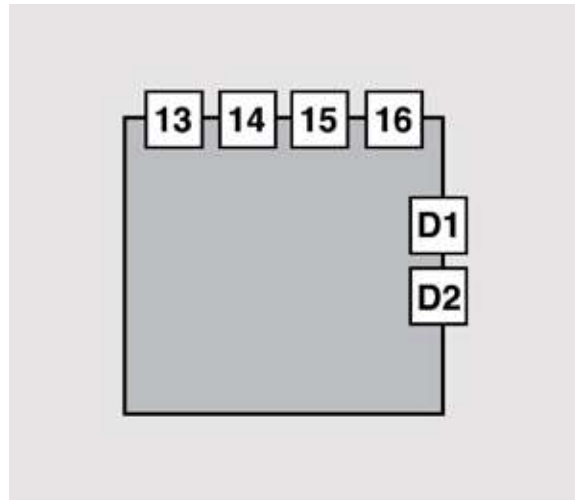
14 Output -

15 Input -

16 Input +

D1 Error feedback

D2 Error feedback



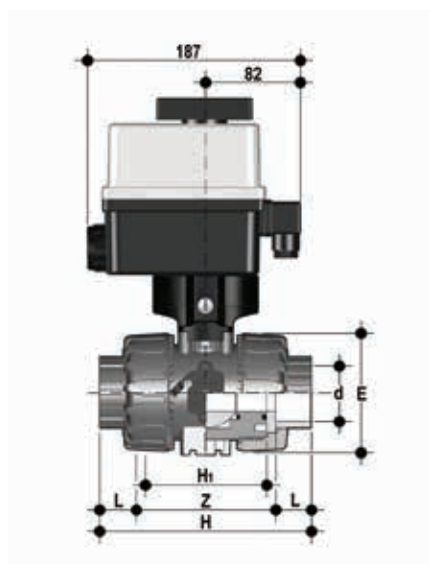
DIMENSIONS

VKR/CE DN 10÷50 PVC-U



Dimensions common to all versions

DN	B	B ₁
10	205	29
15	205	29
20	216	34.5
25	221	39
32	238	46
40	244	52
50	261	62



VKRIV/CE 90-240 V AC 4-20 mA

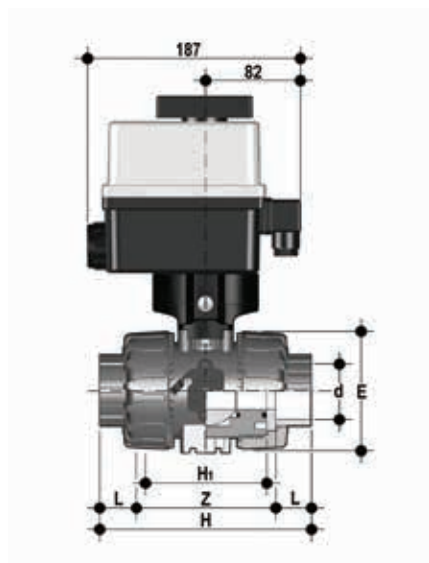
DUAL BLOCK® regulating ball valve with female metric ends with multi-volt electric modulating actuator 90-240 V AC 50-60 Hz

d	DN	PN	E	H	H ₁	L	Z	g	EPDM Code	FKM Code
16	10	16	54	103	65	14	75	1785	VKRIVEM016E0E	VKRIVEM016F0E
20	15	16	54	103	65	16	71	1775	VKRIVEM020E0E	VKRIVEM020F0E
25	20	16	65	115	70	19	77	1903	VKRIVEM025E0E	VKRIVEM025F0E
32	25	16	73	128	78	22	84	2011	VKRIVEM032E0E	VKRIVEM032F0E
40	32	16	86	146	88	26	94	2369	VKRIVEM040E0E	VKRIVEM040F0E
50	40	16	98	164	93	31	102	2601	VKRIVEM050E0E	VKRIVEM050F0E
63	50	*10	122	199	111	38	123	3218	VKRIVEM063E0E	VKRIVEM063F0E

* PN16 upon request

DIMENSIONS

VKR/CE DN 10÷50 PVC-U

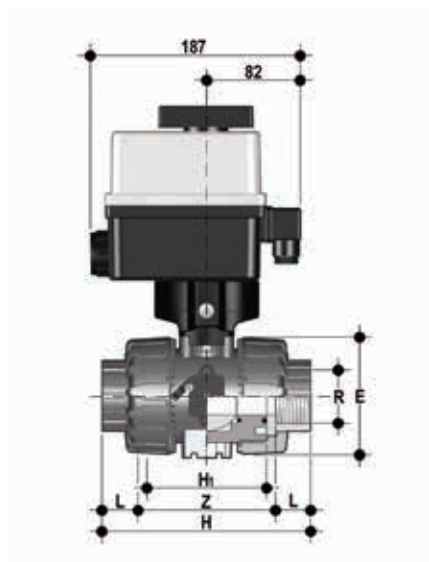


VKRIV/CE 24 V AC/DC 4-20 mA

DUAL BLOCK® regulating ball valve with female metric ends with electric modulating 24 V AC/DC

d	DN	PN	E	H	H ₁	L	Z	g	EPDM Code	FKM Code
16	10	16	54	103	65	14	75	1785	VKRIVEL016E0E	VKRIVEL016FOE
20	15	16	54	103	65	16	71	1775	VKRIVEL020E0E	VKRIVEL020FOE
25	20	16	65	115	70	19	77	1903	VKRIVEL025E0E	VKRIVEL025FOE
32	25	16	73	128	78	22	84	2011	VKRIVEL032E0E	VKRIVEL032FOE
40	32	16	86	146	88	26	94	2369	VKRIVEL040E0E	VKRIVEL040FOE
50	40	16	98	164	93	31	102	2601	VKRIVEL050E0E	VKRIVEL050FOE
63	50	*10	122	199	111	38	123	3218	VKRIVEL063E0E	VKRIVEL063FOE

* PN16 upon request



VKRFV/CE 90-240 V AC 4-20 mA

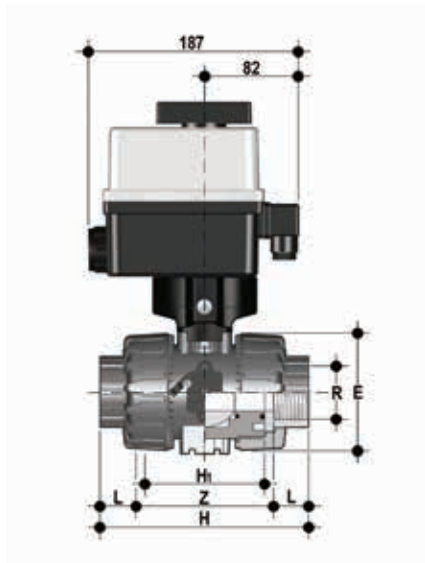
DUAL BLOCK® regulating ball valve with female ends, gas cylinder thread with multi-volt electric modulating actuator 90-240 V AC 50-60 Hz

R	DN	PN	E	H	H ₁	L	Z	g	EPDM Code	FKM Code
3/8"	10	16	54	103	65	12	80	1785	VKRFVEM038E0E	VKRFVEM038FOE
1/2"	15	16	54	110	65	15	80	1775	VKRFVEM012E0E	VKRFVEM012FOE
3/4"	20	16	65	116	70	16	83	1903	VKRFVEM034E0E	VKRFVEM034FOE
1"	25	16	73	134	78	19	96	2011	VKRFVEM100E0E	VKRFVEM100FOE
1" 1/4	32	16	86	153	88	21	110	2369	VKRFVEM114E0E	VKRFVEM114FOE
1" 1/2	40	16	98	156	93	21	113	2601	VKRFVEM112E0E	VKRFVEM112FOE
2"	50	*10	122	186	111	26	135	3218	VKRFVEM200E0E	VKRFVEM200FOE

* PN16 upon request

DIMENSIONS

VKR/CE DN 10÷50 PVC-U

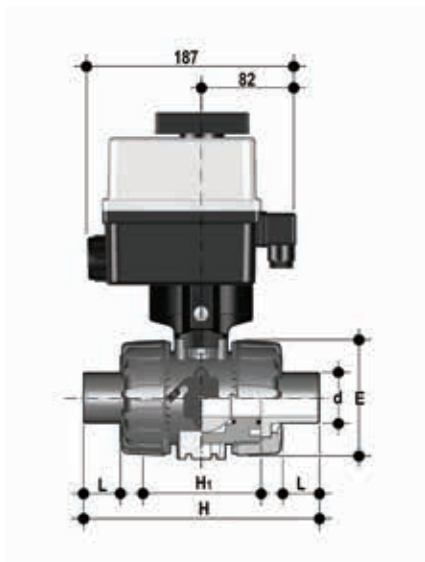


VKRFV/CE 24 V AC/DC 4-20 mA

DUAL BLOCK® regulating ball valve with female ends, gas cylinder thread with electric modulating actuator 24 V AC/DC

R	DN	PN	E	H	H ₁	L	Z	g	EPDM Code	FKM Code
3/8"	10	16	54	103	65	12	80	1785	VKRFVEL038E0E	VKRFVEL038F0E
1/2"	15	16	54	110	65	15	80	1775	VKRFVEL012E0E	VKRFVEL012F0E
3/4"	20	16	65	116	70	16	83	1903	VKRFVEL034E0E	VKRFVEL034F0E
1"	25	16	73	134	78	19	96	2011	VKRFVEL100E0E	VKRFVEL100F0E
1" 1/4	32	16	86	153	88	21	110	2369	VKRFVEL114E0E	VKRFVEL114F0E
1" 1/2	40	16	98	156	93	21	113	2601	VKRFVEL112E0E	VKRFVEL112F0E
2"	50	*10	122	186	111	26	135	3218	VKRFVEL200E0E	VKRFVEL200F0E

* PN16 upon request



VKRDV/CE 90-240 V AC 4-20 mA

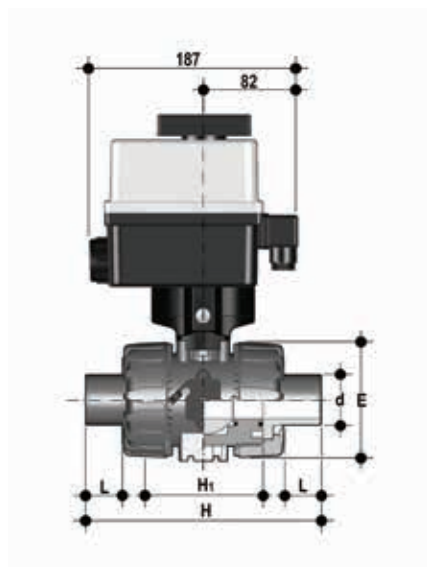
DUAL BLOCK® regulating ball valve with male ends, metric series with multi-volt electric modulating actuator 90-240 V AC 50-60 Hz

d	DN	PN	E	H	H ₁	L	g	EPDM Code	FKM Code
16	10	16	54	149	65	14	1785	VKRDVEM016E0E	VKRDVEM016F0E
20	15	16	54	124	65	16	1775	VKRDVEM020E0E	VKRDVEM020F0E
25	20	16	65	144	70	19	1903	VKRDVEM025E0E	VKRDVEM025F0E
32	25	16	73	154	78	22	2011	VKRDVEM032E0E	VKRDVEM032F0E
40	32	16	86	174	88	26	2369	VKRDVEM040E0E	VKRDVEM040F0E
50	40	16	98	194	93	31	2601	VKRDVEM050E0E	VKRDVEM050F0E
63	50	*10	122	224	111	38	3218	VKRDVEM063E0E	VKRDVEM063F0E

* PN16 upon request

DIMENSIONS

VKR/CE DN 10÷50 PVC-U

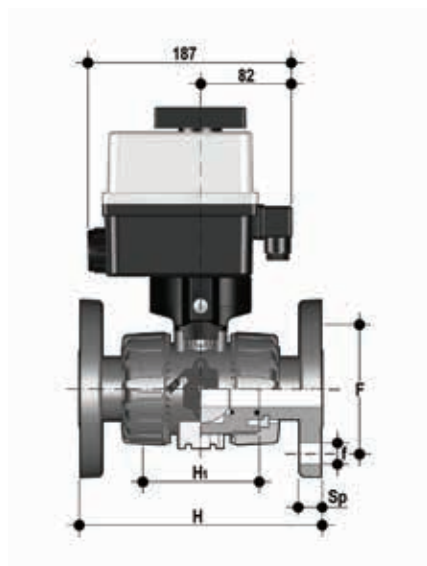


VKRDV/CE 24 V AC/DC 4-20 mA

DUAL BLOCK® regulating ball valve with male ends, metric series with electric modulating actuator 24 V AC/DC

d	DN	PN	E	H	H ₁	L	g	EPDM Code	FKM Code
16	10	16	54	149	65	14	1785	VKRDVELO16E0E	VKRDVELO16F0E
20	15	16	54	124	65	16	1775	VKRDVELO20E0E	VKRDVELO20F0E
25	20	16	65	144	70	19	1903	VKRDVELO25E0E	VKRDVELO25F0E
32	25	16	73	154	78	22	2011	VKRDVELO32E0E	VKRDVELO32F0E
40	32	16	86	174	88	26	2369	VKRDVELO40E0E	VKRDVELO40F0E
50	40	16	98	194	93	31	2601	VKRDVELO50E0E	VKRDVELO50F0E
63	50	*10	122	224	111	38	3218	VKRDVELO63E0E	VKRDVELO63F0E

* PN16 upon request



VKROV/CE 90-240 V AC 4-20 mA

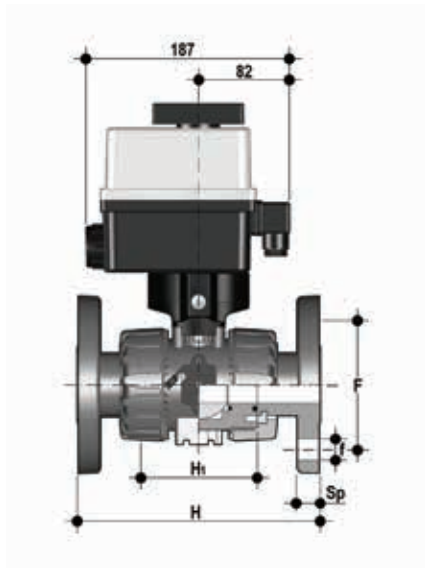
DUAL BLOCK® regulating ball valve with fixed flanges, drilled EN/ISO/DIN PN10/16. Face to face according to EN 558-1 with multi-volt electric modulating actuator 90-240 V AC 50-60 Hz

d	DN	PN	H	H ₁	F	f	U	Sp	g	EPDM Code	FKM Code
20	15	16	130	65	65	14	4	11	1775	VKROVEM020E0E	VKROVEM020F0E
25	20	16	150	70	75	14	4	14	1903	VKROVEM025E0E	VKROVEM025F0E
32	25	16	160	78	85	14	4	14	2011	VKROVEM032E0E	VKROVEM032F0E
40	32	16	180	88	100	18	4	14	2369	VKROVEM040E0E	VKROVEM040F0E
50	40	16	200	93	110	18	4	16	2601	VKROVEM050E0E	VKROVEM050F0E
63	50	*10	230	111	125	18	4	16	3218	VKROVEM063E0E	VKROVEM063F0E

* PN16 upon request

DIMENSIONS

VKR/CE DN 10÷50 PVC-U

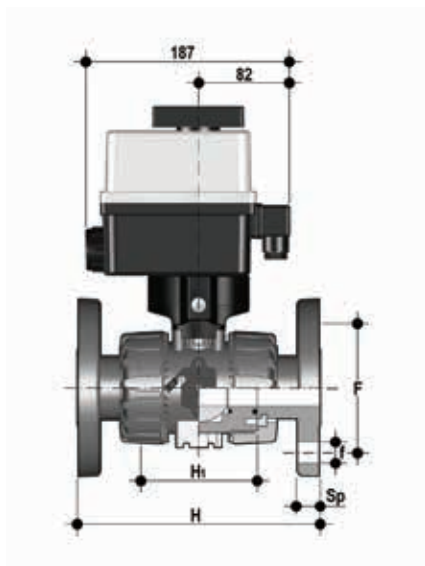


VKROV/CE 24 V AC/DC 4-20 mA

DUAL BLOCK® regulating ball valve with fixed flanges, drilled EN/ISO/DIN PN10/16. Face to face according to EN 558-1 with electric modulating 24 V AC/DC

d	DN	PN	H	H ₁	F	f	U	Sp	g	EPDM Code	FKM Code
20	15	16	130	65	65	14	4	11	1775	VKROVEL020E0E	VKROVEL020F0E
25	20	16	150	70	75	14	4	14	1903	VKROVEL025E0E	VKROVEL025F0E
32	25	16	160	78	85	14	4	14	2011	VKROVEL032E0E	VKROVEL032F0E
40	32	16	180	88	100	18	4	14	2369	VKROVEL040E0E	VKROVEL040F0E
50	40	16	200	93	110	18	4	16	2601	VKROVEL050E0E	VKROVEL050F0E
63	50	*10	230	111	125	18	4	16	3218	VKROVEL063E0E	VKROVEL063F0E

* PN16 upon request



VKROAV/CE 90-240 V AC 4-20 mA

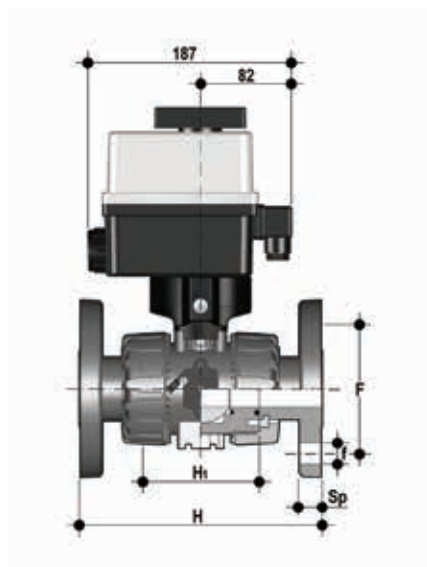
DUAL BLOCK® regulating ball valve with fixed flanges, drilled ANSI B16.5 cl.150#FF with multi-volt electric modulating actuator 90-240 V AC 50-60 Hz

d	DN	PN	H	H ₁	F	f	U	Sp	g	EPDM Code	FKM Code
1/2"	15	16	143	65	60.3	15.9	4	11	1775	VKROAVEM012E0E	VKROAVEM012F0E
3/4"	20	16	172	70	69.9	15.9	4	14	1903	VKROAVEM034E0E	VKROAVEM034F0E
1"	25	16	187	78	79.4	15.9	4	14	2011	VKROAVEM100E0E	VKROAVEM100F0E
1" 1/4	32	16	190	88	88.9	15.9	4	14	2369	VKROAVEM114E0E	VKROAVEM114F0E
1" 1/2	40	16	212	93	98.4	15.9	4	16	2601	VKROAVEM112E0E	VKROAVEM112F0E
2"	50	*10	234	111	120.7	19.1	4	16	3218	VKROAVEM200E0E	VKROAVEM200F0E

* PN16 upon request

DIMENSIONS

VKR/CE DN 10÷50 PVC-U

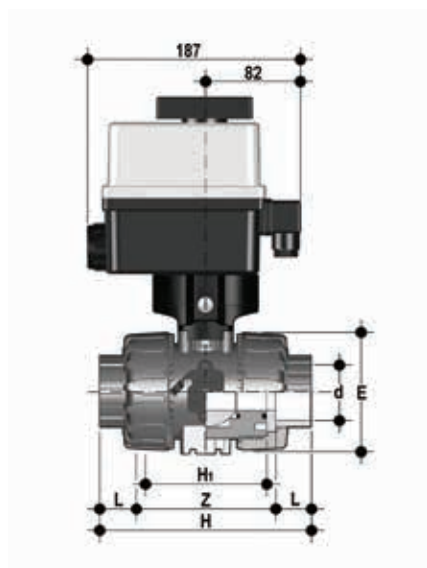


VKROAV/CE 24 V AC/DC 4-20 mA

DUAL BLOCK® regulating ball valve with fixed flanges, drilled ANSI B16.5 cl.150#FF with electric modulating 24 V AC/DC

d	DN	PN	H	H ₁	F	f	U	Sp	g	EPDM Code	FKM Code
1/2"	15	16	143	65	60.3	15.9	4	11	1775	VKROAVEL012E0E	VKROAVEL012F0E
3/4"	20	16	172	70	69.9	15.9	4	14	1903	VKROAVEL034E0E	VKROAVEL034F0E
1"	25	16	187	78	79.4	15.9	4	14	2011	VKROAVEL100E0E	VKROAVEL100F0E
1" 1/4	32	16	190	88	88.9	15.9	4	14	2369	VKROAVEL114E0E	VKROAVEL114F0E
1" 1/2	40	16	212	93	98.4	15.9	4	16	2601	VKROAVEL112E0E	VKROAVEL112F0E
2"	50	*10	234	111	120.7	19.1	4	16	3218	VKROAVEL200E0E	VKROAVEL200F0E

* PN16 upon request



VKRLV/CE 90-240 V AC 4-20 mA

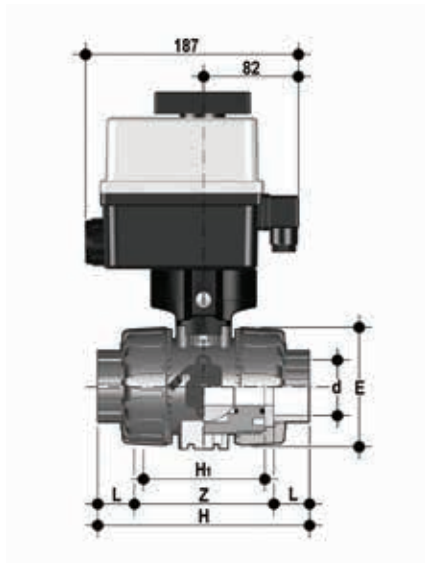
DUAL BLOCK® regulating ball valve with female ends for solvent welding, BS series with multi-volt electric modulating actuator 90-240 V AC 50-60 Hz

d	DN	PN	E	H	H ₁	L	Z	g	EPDM Code	FKM Code
3/8"	10	16	54	103	65	14.5	74	1785	VKRLVEM038E0E	VKRLVEM038F0E
1/2"	15	16	54	103	65	16.5	70	1775	VKRLVEM012E0E	VKRLVEM012F0E
3/4"	20	16	65	115	70	19	77	1903	VKRLVEM034E0E	VKRLVEM034F0E
1"	25	16	73	128	78	22.5	83	2011	VKRLVEM100E0E	VKRLVEM100F0E
1" 1/4	32	16	86	146	88	26	94	2369	VKRLVEM114E0E	VKRLVEM114F0E
1" 1/2	40	16	98	164	93	30	104	2601	VKRLVEM112E0E	VKRLVEM112F0E
2"	50	*10	122	199	111	36	127	3218	VKRLVEM200E0E	VKRLVEM200F0E

* PN16 upon request

DIMENSIONS

VKR/CE DN 10÷50 PVC-U

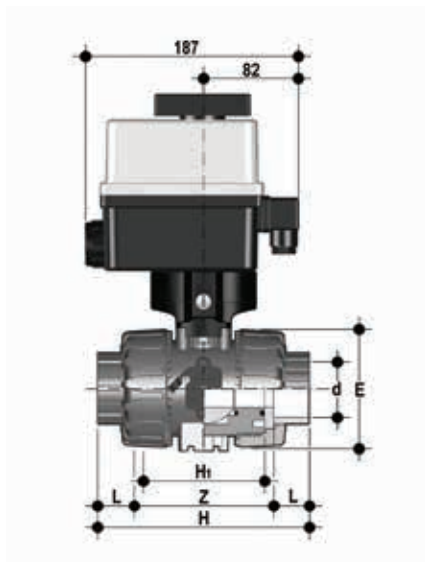


VKRLV/CE 24 V AC/DC 4-20 mA

DUAL BLOCK® regulating ball valve with female ends for solvent welding, BS series with electric modulating actuator 24 V AC/DC

d	DN	PN	E	H	H ₁	L	Z	g	EPDM Code	FKM Code
3/8"	10	16	54	103	65	14.5	74	1785	VKRLVEL038E0E	VKRLVEL038F0E
1/2"	15	16	54	103	65	16.5	70	1775	VKRLVEL012E0E	VKRLVEL012F0E
3/4"	20	16	65	115	70	19	77	1903	VKRLVEL034E0E	VKRLVEL034F0E
1"	25	16	73	128	78	22.5	83	2011	VKRLVEL100E0E	VKRLVEL100F0E
1" 1/4	32	16	86	146	88	26	94	2369	VKRLVEL114E0E	VKRLVEL114F0E
1" 1/2	40	16	98	164	93	30	104	2601	VKRLVEL112E0E	VKRLVEL112F0E
2"	50	*10	122	199	111	36	127	3218	VKRLVEL200E0E	VKRLVEL200F0E

* PN16 upon request



VKRAV/CE 90-240 V AC 4-20 mA

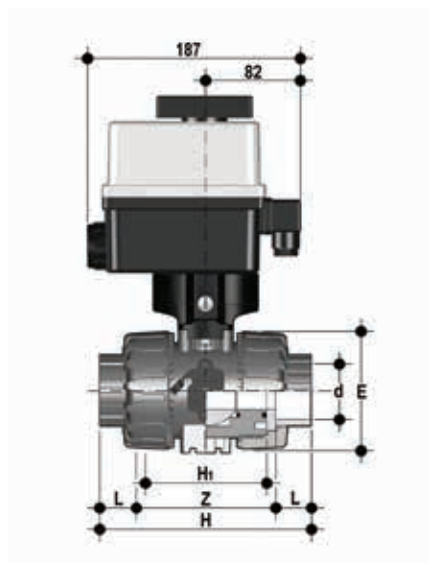
DUAL BLOCK® regulating ball valve with female ends for solvent welding, ASTM series with multi-volt electric modulating actuator 90-240 V AC 50-60 Hz

d	DN	PN	E	H	H ₁	L	Z	g	EPDM Code	FKM Code
3/8"	10	16	54	117	65	19.5	78	1785	VKRAVEM038E0E	VKRAVEM038F0E
1/2"	15	16	54	117	65	22.5	72	1775	VKRAVEM012E0E	VKRAVEM012F0E
3/4"	20	16	65	129	70	25.5	78	1903	VKRAVEM034E0E	VKRAVEM034F0E
1"	25	16	73	142	78	28.7	84.6	2011	VKRAVEM100E0E	VKRAVEM100F0E
1" 1/4	32	16	86	162	88	32	98	2369	VKRAVEM114E0E	VKRAVEM114F0E
1" 1/2	40	16	98	172	93	35	102	2601	VKRAVEM112E0E	VKRAVEM112F0E
2"	50	*10	122	199	111	38.2	122.6	3218	VKRAVEM200E0E	VKRAVEM200F0E

* PN16 upon request

DIMENSIONS

VKR/CE DN 10÷50 PVC-U

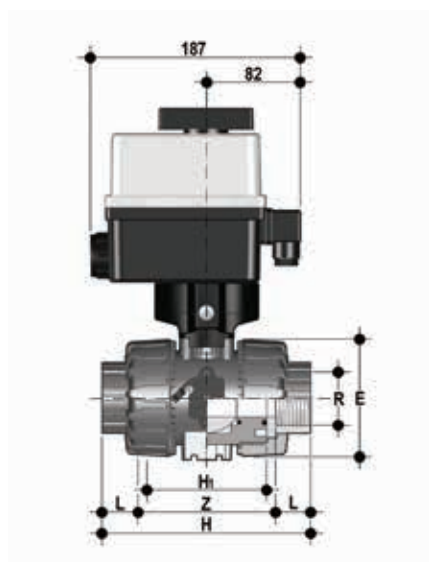


VKRAV/CE 24 V AC/DC 4-20 mA

DUAL BLOCK® regulating ball valve with female ends for solvent welding, ASTM series with electric modulating actuator 24 V AC/DC

d	DN	PN	E	H	H ₁	L	Z	g	EPDM Code	FKM Code
3/8"	10	16	54	117	65	19.5	78	1785	VKRAVEL038E0E	VKRAVEL038F0E
1/2"	15	16	54	117	65	22.5	72	1775	VKRAVEL012E0E	VKRAVEL012F0E
3/4"	20	16	65	129	70	25.5	78	1903	VKRAVEL034E0E	VKRAVEL034F0E
1"	25	16	73	142	78	28.7	84.6	2011	VKRAVEL100E0E	VKRAVEL100F0E
1" 1/4	32	16	86	162	88	32	98	2369	VKRAVEL114E0E	VKRAVEL114F0E
1" 1/2	40	16	98	172	93	35	102	2601	VKRAVEL112E0E	VKRAVEL112F0E
2"	50	*10	122	199	111	38.2	122.6	3218	VKRAVEL200E0E	VKRAVEL200F0E

* PN16 upon request



VKRNV/CE 90-240 V AC 4-20 mA

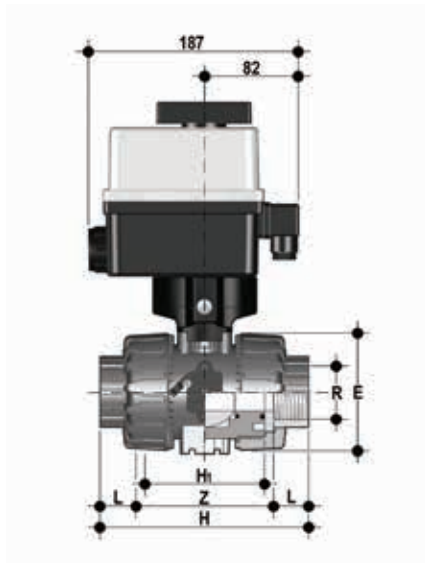
DUAL BLOCK® regulating ball valve with female ends, NPT thread with multi-volt electric modulating actuator 90-240 V AC 50-60 Hz

R	DN	PN	E	H	H ₁	L	Z	g	EPDM Code	FKM Code
3/8"	10	16	54	103	65	13.7	75.6	1785	VKRNVEM038E0E	VKRNVEM038F0E
1/2"	15	16	54	111	65	17.8	75.4	1775	VKRNVEM012E0E	VKRNVEM012F0E
3/4"	20	16	65	117	70	18	81	1903	VKRNVEM034E0E	VKRNVEM034F0E
1"	25	16	73	135	78	22.6	89.8	2011	VKRNVEM100E0E	VKRNVEM100F0E
1" 1/4	32	16	86	153	88	25.1	102.8	2369	VKRNVEM114E0E	VKRNVEM114F0E
1" 1/2	40	16	98	156	93	24.7	106.6	2601	VKRNVEM112E0E	VKRNVEM112F0E
2"	50	*10	122	186	111	29.6	126.8	3218	VKRNVEM200E0E	VKRNVEM200F0E

* PN16 upon request

DIMENSIONS

VKR/CE DN 10÷50 PVC-U

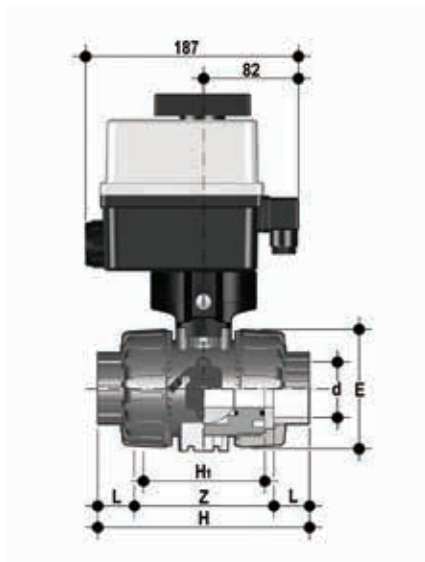


VKRN/CE 24 V AC/DC 4-20 mA

DUAL BLOCK® regulating ball valve with female ends, NPT thread with electric modulating actuator 24 V AC/DC

R	DN	PN	E	H	H ₁	L	Z	g	EPDM Code	FKM Code
3/8"	10	16	54	103	65	13.7	75.6	1785	VKRNVELO38E0E	VKRNVELO38F0E
1/2"	15	16	54	111	65	17.8	75.4	1775	VKRNVELO12E0E	VKRNVELO12F0E
3/4"	20	16	65	117	70	18	81	1903	VKRNVELO34E0E	VKRNVELO34F0E
1"	25	16	73	135	78	22.6	89.8	2011	VKRNVEL100E0E	VKRNVEL100F0E
1" 1/4	32	16	86	153	88	25.1	102.8	2369	VKRNVEL114E0E	VKRNVEL114F0E
1" 1/2	40	16	98	156	93	24.7	106.6	2601	VKRNVEL112E0E	VKRNVEL112F0E
2"	50	*10	122	186	111	29.6	126.8	3218	VKRNVEL200E0E	VKRNVEL200F0E

* PN16 upon request



VKRJV/CE 90-240 V AC 4-20 mA

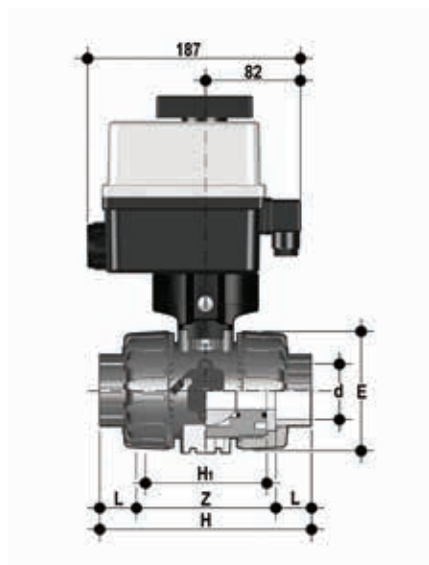
DUAL BLOCK® regulating ball valve with female ends for solvent welding, JIS series with multi-volt electric modulating actuator 90-240 V AC 50-60 Hz

d	DN	PN	E	H	H ₁	L	Z	g	EPDM Code	FKM Code
1/2"	15	16	54	131	65	30	71	1775	VKRJVEM012E0E	VKRJVEM012F0E
3/4"	20	16	65	147	70	35	77	1903	VKRJVEM034E0E	VKRJVEM034F0E
1"	25	16	73	164	78	40	84	2011	VKRJVEM100E0E	VKRJVEM100F0E
1" 1/4	32	16	86	182	88	44	94	2369	VKRJVEM114E0E	VKRJVEM114F0E
1" 1/2	40	16	98	212	93	55	102	2601	VKRJVEM112E0E	VKRJVEM112F0E
2"	50	*10	122	248	111	63	122	3218	VKRJVEM200E0E	VKRJVEM200F0E

* PN16 upon request

DIMENSIONS

VKR/CE DN 10÷50 PVC-U

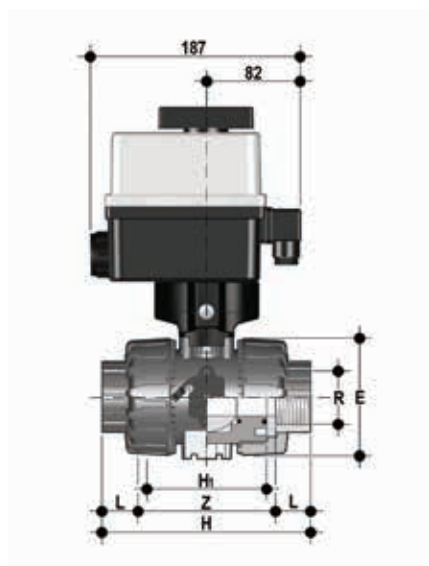


VKRJV/CE 24 V AC/DC 4-20 mA

DUAL BLOCK® regulating ball valve with female ends for solvent welding, JIS series with electric modulating actuator 24 V AC/DC

d	DN	PN	E	H	H ₁	L	Z	g	EPDM Code	FKM Code
1/2"	15	16	54	131	65	30	71	1775	VKRJVEL012E0E	VKRJVEL012F0E
3/4"	20	16	65	147	70	35	77	1903	VKRJVEL034E0E	VKRJVEL034F0E
1"	25	16	73	164	78	40	84	2011	VKRJVEL100E0E	VKRJVEL100F0E
1" 1/4	32	16	86	182	88	44	94	2369	VKRJVEL114E0E	VKRJVEL114F0E
1" 1/2	40	16	98	212	93	55	102	2601	VKRJVEL112E0E	VKRJVEL112F0E
2"	50	*10	122	248	111	63	122	3218	VKRJVEL200E0E	VKRJVEL200F0E

* PN16 upon request



VKRGV/CE 90-240 V AC 4-20 mA

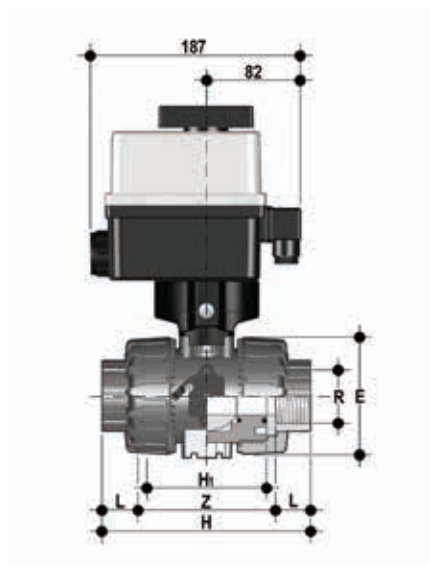
DUAL BLOCK® regulating ball valve with female ends, JIS thread with multi-volt electric modulating actuator 90-240 V AC 50-60 Hz

R	DN	PN	E	H	H ₁	L	Z	g	EPDM Code	FKM Code
1/2"	15	16	54	103	65	16	71	1775	VKRGVEM012E0E	VKRGVEM012F0E
3/4"	20	16	65	115	70	19	77	1903	VKRGVEM034E0E	VKRGVEM034F0E
1"	25	16	73	128	78	22	84	2011	VKRGVEM100E0E	VKRGVEM100F0E
1" 1/4	32	16	86	146	88	25	96	2369	VKRGVEM114E0E	VKRGVEM114F0E
1" 1/2	40	16	98	164	93	26	112	2601	VKRGVEM112E0E	VKRGVEM112F0E
2"	50	*10	122	199	111	31	137	3218	VKRGVEM200E0E	VKRGVEM200F0E

* PN16 upon request

DIMENSIONS

VKR/CE DN 10÷50 PVC-U



VKRGV/CE 24 V AC/DC 4-20 mA

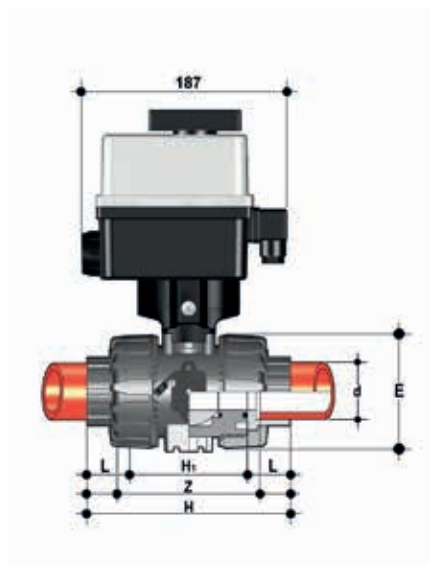
DUAL BLOCK® regulating ball valve with female ends, JIS thread with electric modulating actuator 24 V AC/DC

R	DN	PN	E	H	H ₁	L	Z	g	EPDM Code	FKM Code
1/2"	15	16	54	103	65	16	71	1775	VKRGVEL012E0E	VKRGVEL012F0E
3/4"	20	16	65	115	70	19	77	1903	VKRGVEL034E0E	VKRGVEL034F0E
1"	25	16	73	128	78	22	84	2011	VKRGVEL100E0E	VKRGVEL100F0E
1" 1/4	32	16	86	146	88	25	96	2369	VKRGVEL114E0E	VKRGVEL114F0E
1" 1/2	40	16	98	164	93	26	112	2601	VKRGVEL112E0E	VKRGVEL112F0E
2"	50	*10	122	199	111	31	137	3218	VKRGVEL200E0E	VKRGVEL200F0E

* PN16 upon request

DIMENSIONS

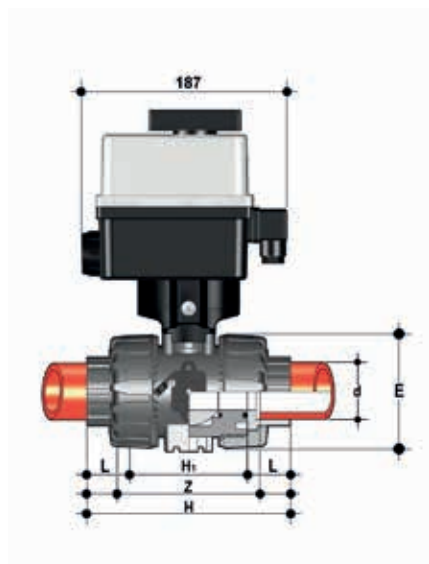
VKR/CE DN 10÷50 PP-H



VKRIM/CE 90-240 V AC 4-20 mA

DUAL BLOCK® regulating ball valve with female ends for socket welding, metric series with multi-volt electric modulating actuator 90-240 V AC 50-60 Hz

d	DN	PN	E	H	H ₁	L	Z	g	EPDM Code	FKM Code
16	10	10	54	102	65	14	74.5	1720	VKRIMEM016E0E	VKRIMEM016F0E
20	15	10	54	102	65	15	73	1715	VKRIMEM020E0E	VKRIMEM020F0E
25	20	10	65	114	70	17	82	1791	VKRIMEM025E0E	VKRIMEM025F0E
32	25	10	73	126	78	19	90	1871	VKRIMEM032E0E	VKRIMEM032F0E
40	32	10	86	141	88	23	100	2156	VKRIMEM040E0E	VKRIMEM040F0E
50	40	10	98	164	93	24	117	2358	VKRIMEM050E0E	VKRIMEM050F0E
63	50	10	122	199	111	28	144	2807	VKRIMEM063E0E	VKRIMEM063F0E



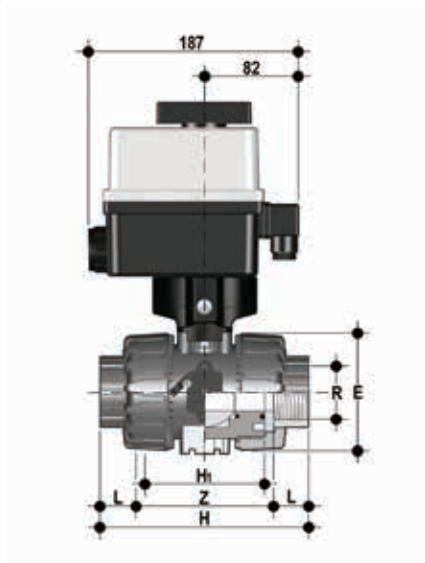
VKRIM/CE 24 V AC/DC 4-20 mA

DUAL BLOCK® regulating ball valve with female ends for socket welding, metric series with electric modulating actuator 24 V AC/DC, 12 V DC

d	DN	PN	E	H	H ₁	L	Z	g	EPDM Code	FKM Code
16	10	10	54	102	65	14	74.5	1720	VKRIMEL016E0E	VKRIMEL016F0E
20	15	10	54	102	65	15	73	1715	VKRIMEL020E0E	VKRIMEL020F0E
25	20	10	65	114	70	17	82	1791	VKRIMEL025E0E	VKRIMEL025F0E
32	25	10	73	126	78	19	90	1871	VKRIMEL032E0E	VKRIMEL032F0E
40	32	10	86	141	88	23	100	2156	VKRIMEL040E0E	VKRIMEL040F0E
50	40	10	98	164	93	24	117	2358	VKRIMEL050E0E	VKRIMEL050F0E
63	50	10	122	199	111	28	144	2807	VKRIMEL063E0E	VKRIMEL063F0E

DIMENSIONS

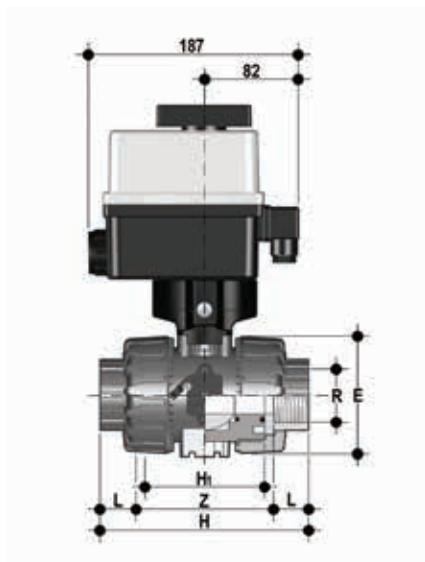
VKR/CE DN 10÷50 PP-H



VKRFM/CE 90-240 V AC 4-20 mA

DUAL BLOCK® regulating ball valve with BSP thread female ends with multi-volt electric modulating actuator 90-240 V AC 50-60 Hz

R	DN	PN	E	H	H ₁	L	Z	g	EPDM Code	FKM Code
1/2"	15	10	54	110	65	16	83	1715	VKRFMEM012E0E	VKRFMEM012F0E
3/4"	20	10	65	116	70	19	96	1791	VKRFMEM034E0E	VKRFMEM034F0E
1"	25	10	73	134	78	21	110	1871	VKRFMEM100E0E	VKRFMEM100F0E
1" 1/4	32	10	86	153	88	21	113	2156	VKRFMEM114E0E	VKRFMEM114F0E
1" 1/2	40	10	98	156	93	26	135	2358	VKRFMEM112E0E	VKRFMEM112F0E
2"	50	10	122	186	111	26	135	2807	VKRFMEM200E0E	VKRFMEM200F0E



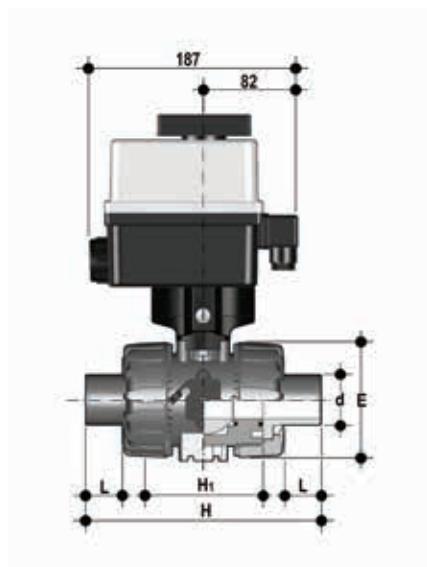
VKRFM/CE 24 V AC/DC 4-20 mA

DUAL BLOCK® regulating ball valve with BSP thread female ends with multi-volt electric modulating actuator 24 V AC/DC, 12 V DC

R	DN	PN	E	H	H ₁	L	Z	g	EPDM Code	FKM Code
1/2"	15	10	54	110	65	16	83	1715	VKRFMEL012E0E	VKRFMEL012F0E
3/4"	20	10	65	116	70	19	96	1791	VKRFMEL034E0E	VKRFMEL034F0E
1"	25	10	73	134	78	21	110	1871	VKRFMEL100E0E	VKRFMEL100F0E
1" 1/4	32	10	86	153	88	21	113	2156	VKRFMEL114E0E	VKRFMEL114F0E
1" 1/2	40	10	98	156	93	26	135	2358	VKRFMEL112E0E	VKRFMEL112F0E
2"	50	10	122	186	111	26	135	2807	VKRFMEL200E0E	VKRFMEL200F0E

DIMENSIONS

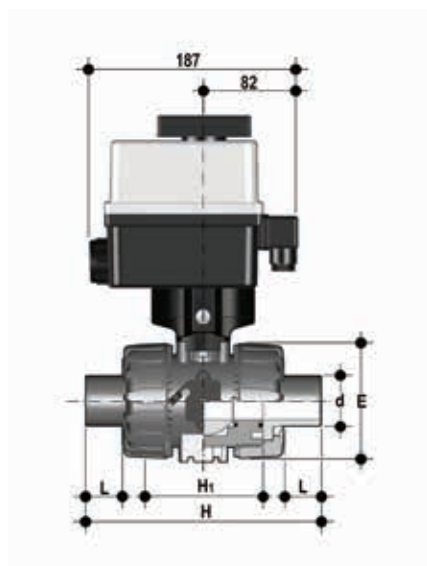
VKR/CE DN 10÷50 PP-H



VKRDM/CE 90-240 V AC 4-20 mA

DUAL BLOCK® regulating ball valve with long spigot male ends in PP-H for head welding (CVDM) with multi-volt electric modulating actuator 90-240 V AC 50-60 Hz

d	DN	PN	E	H	H ₁	L	g	EPDM Code	FKM Code
20	15	10	54	124	65	16	1715	VKRDMEM020E0E	VKRDMEM020F0E
25	20	10	65	144	70	18	1791	VKRDMEM025E0E	VKRDMEM025F0E
32	25	10	73	154	78	20	1871	VKRDMEM032E0E	VKRDMEM032F0E
40	32	10	86	174	88	22	2156	VKRDMEM040E0E	VKRDMEM040F0E
50	40	10	98	194	93	23	2358	VKRDMEM050E0E	VKRDMEM050F0E
63	50	10	122	224	111	29	2807	VKRDMEM063E0E	VKRDMEM063F0E



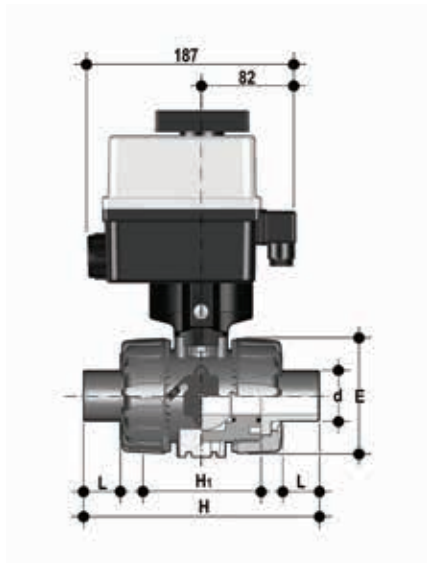
VKRDM/CE 24 V AC/DC 4-20 mA

DUAL BLOCK® regulating ball valve with long spigot male ends in PP-H for head welding (CVDM) with multi-volt electric modulating actuator 24 V AC/DC, 12 V DC

d	DN	PN	E	H	H ₁	L	g	EPDM Code	FKM Code
20	15	10	54	124	65	16	1715	VKRDMEL020E0E	VKRDMEL020F0E
25	20	10	65	144	70	18	1791	VKRDMEL025E0E	VKRDMEL025F0E
32	25	10	73	154	78	20	1871	VKRDMEL032E0E	VKRDMEL032F0E
40	32	10	86	174	88	22	2156	VKRDMEL040E0E	VKRDMEL040F0E
50	40	10	98	194	93	23	2358	VKRDMEL050E0E	VKRDMEL050F0E
63	50	10	122	224	111	29	2807	VKRDMEL063E0E	VKRDMEL063F0E

DIMENSIONS

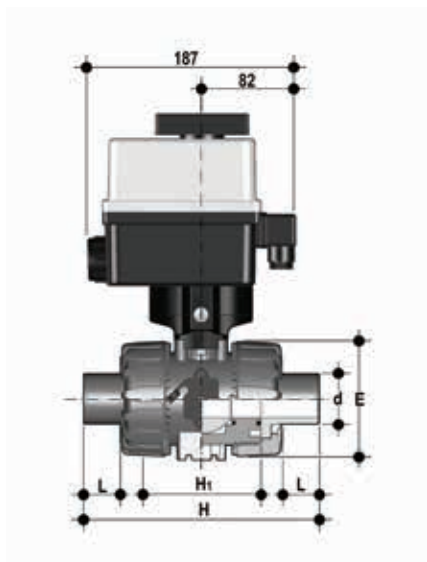
VKR/CE DN 10÷50 PP-H



VKRBM/CE 90-240 V AC 4-20 mA

DUAL BLOCK® regulating ball valve with long spigot male ends in PP-H for head welding (CVDm) with multi-volt electric modulating actuator 90-240 V AC 50-60 Hz

d	DN	PN	E	H	H ₁	L	Z	g	EPDM Code	FKM Code
20	15	10	54	175	65	41	93	1715	VKRBMEM020E0E	VKRBMEM020F0E
25	20	10	65	210	70	52	106	1791	VKRBMEM025E0E	VKRBMEM025F0E
32	25	10	73	226	78	55	116	1871	VKRBMEM032E0E	VKRBMEM032F0E
40	32	10	86	243	88	56	131	2156	VKRBMEM040E0E	VKRBMEM040F0E
50	40	10	98	261	93	58	145	2358	VKRBMEM050E0E	VKRBMEM050F0E
63	50	10	122	293	111	66	161	2807	VKRBMEM063E0E	VKRBMEM063F0E



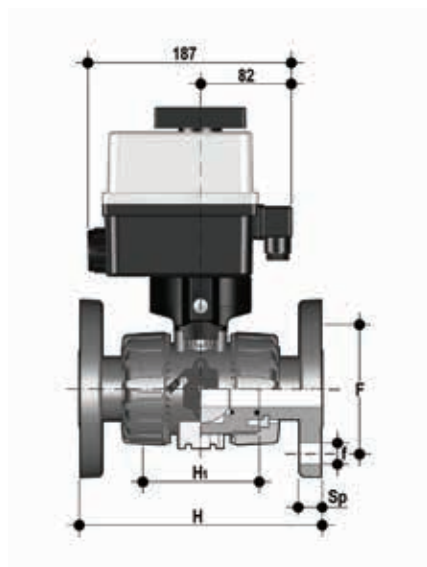
VKRBM/CE 24 V AC/DC 4-20 mA

DUAL BLOCK® regulating ball valve with long spigot male ends in PP-H for head welding (CVDm) with multi-volt electric modulating actuator 24 V AC/DC, 12 V DC

d	DN	PN	E	H	H ₁	L	Z	g	EPDM Code	FKM Code
20	15	10	54	175	65	41	93	1715	VKRBMEL020E0E	VKRBMEL020F0E
25	20	10	65	210	70	52	106	1791	VKRBMEL025E0E	VKRBMEL025F0E
32	25	10	73	226	78	55	116	1871	VKRBMEL032E0E	VKRBMEL032F0E
40	32	10	86	243	88	56	131	2156	VKRBMEL040E0E	VKRBMEL040F0E
50	40	10	98	261	93	58	145	2358	VKRBMEL050E0E	VKRBMEL050F0E
63	50	10	122	293	111	66	161	2807	VKRBMEL063E0E	VKRBMEL063F0E

DIMENSIONS

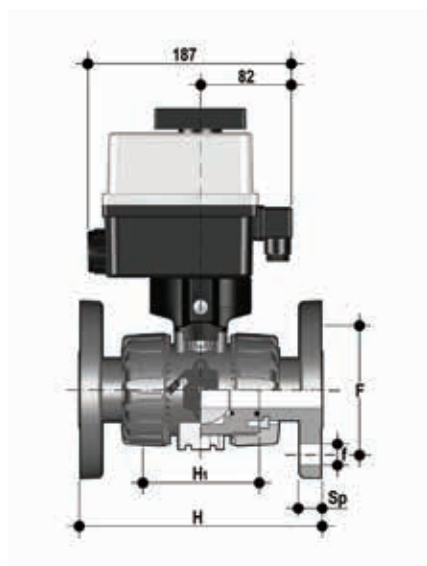
VKR/CE DN 10÷50 PP-H



VKROM/CE 90-240 V AC 4-20 mA

DUAL BLOCK® regulating ball valve with fixed flanges, drilled EN/ISO/DIN PN10/16. Face to face according to EN 558-1. Multi-volt electric actuator 90-240 V AC 50-60 Hz

d	DN	PN	H	H ₁	F	f	U	Sp	g	EPDM Code	FKM Code
20	15	10	130	65	65	14	4	11	1715	VKROMEM020E0E	VKROMEM020F0E
25	20	10	150	70	75	14	4	14	1791	VKROMEM025E0E	VKROMEM025F0E
32	25	10	160	78	85	14	4	14	1871	VKROMEM032E0E	VKROMEM032F0E
40	32	10	180	88	100	18	4	14	2156	VKROMEM040E0E	VKROMEM040F0E
50	40	10	200	93	110	18	4	16	2358	VKROMEM050E0E	VKROMEM050F0E
63	50	10	230	111	125	18	4	16	2807	VKROMEM063E0E	VKROMEM063F0E



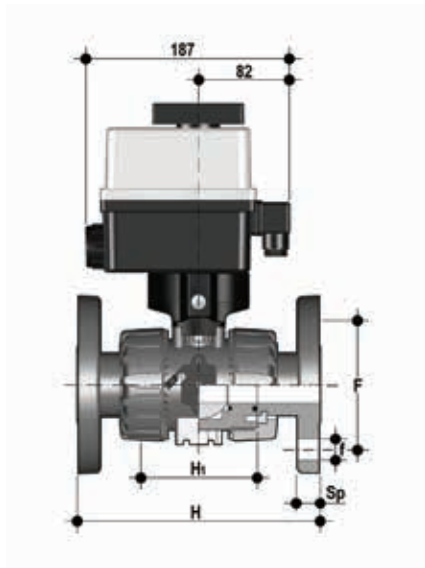
VKROM/CE 24 V AC/DC 4-20 mA

DUAL BLOCK® regulating ball valve with fixed flanges, drilled EN/ISO/DIN PN10/16. Face to face according to EN 558-1. 24 V AC/DC electric actuator

d	DN	PN	H	H ₁	F	f	U	Sp	g	EPDM Code	FKM Code
20	15	10	130	65	65	14	4	11	1715	VKROMEL020E0E	VKROMEL020F0E
25	20	10	150	70	75	14	4	14	1791	VKROMEL025E0E	VKROMEL025F0E
32	25	10	160	78	85	14	4	14	1871	VKROMEL032E0E	VKROMEL032F0E
40	32	10	180	88	100	18	4	14	2156	VKROMEL040E0E	VKROMEL040F0E
50	40	10	200	93	110	18	4	16	2358	VKROMEL050E0E	VKROMEL050F0E
63	50	10	230	111	125	18	4	16	2807	VKROMEL063E0E	VKROMEL063F0E

DIMENSIONS

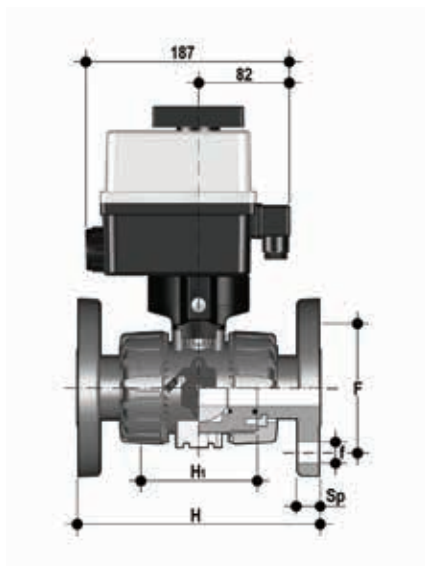
VKR/CE DN 10÷50 PP-H



VKROAM/CE 90-240 V AC 4-20 mA

DUAL BLOCK® regulating ball valve with fixed flanges, drilled ANSI B16.5 cl.150#FF with multi-volt electric modulating actuator 24 V AC/DC, 12 V DC

d	DN	PN	H	H ₁	F	f	U	Sp	g	EPDM Code	FKM Code
1/2"	15	10	143	65	60.3	15.9	4	11	1715	VKROAMEM012E0E	VKROAMEM012F0E
3/4"	20	10	172	70	69.9	15.9	4	14	1791	VKROAMEM034E0E	VKROAMEM034F0E
1"	25	10	187	78	79.4	15.9	4	14	1871	VKROAMEM100E0E	VKROAMEM100F0E
1" 1/4	32	10	190	88	88.9	15.9	4	14	2156	VKROAMEM114E0E	VKROAMEM114F0E
1" 1/2	40	10	212	93	98.4	15.9	4	16	2358	VKROAMEM112E0E	VKROAMEM112F0E
2"	50	10	234	111	120.7	19.1	4	16	2807	VKROAMEM200E0E	VKROAMEM200F0E



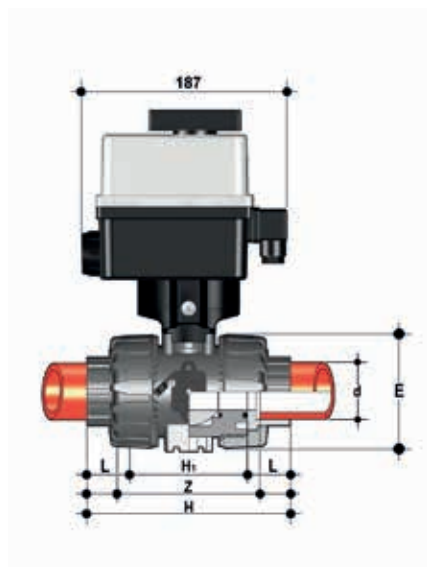
VKROAM/CE 24 V AC/DC 4-20 mA

DUAL BLOCK® regulating ball valve with fixed flanges, drilled ANSI B16.5 cl.150#FF with electric modulating actuator 24 V AC/DC, 12 V DC

d	DN	PN	H	H ₁	F	f	U	Sp	g	EPDM Code	FKM Code
1/2"	15	10	143	65	60.3	15.9	4	11	1715	VKROAMEL012E0E	VKROAMEL012F0E
3/4"	20	10	172	70	69.9	15.9	4	14	1791	VKROAMEL034E0E	VKROAMEL034F0E
1"	25	10	187	78	79.4	15.9	4	14	1871	VKROAMEL100E0E	VKROAMEL100F0E
1" 1/4	32	10	190	88	88.9	15.9	4	14	2156	VKROAMEL114E0E	VKROAMEL114F0E
1" 1/2	40	10	212	93	98.4	15.9	4	16	2358	VKROAMEL112E0E	VKROAMEL112F0E
2"	50	10	234	111	120.7	19.1	4	16	2807	VKROAMEL200E0E	VKROAMEL200F0E

DIMENSIONS

VKR/CE DN 10÷50 PVDF

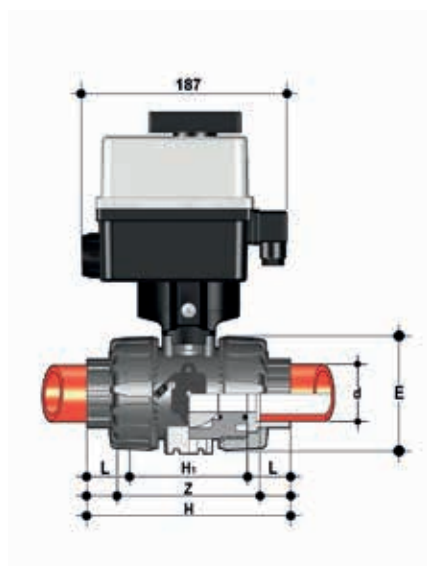


VKRIF/CE 90-240 V AC 4-20 mA

DUAL BLOCK® regulating ball valve with female ends for socket welding, metric series with multi-volt electric modulating actuator 90-240 V AC 50-60 Hz

d	DN	PN	E	H	H ₁	L	Z	g	FKM Code
16	10	16	54	102	65	14	74.5	1830	VKRIFEM016FOE
20	15	16	54	102	65	15	73	1825	VKRIFEM020FOE
25	20	16	65	114	70	17	82	1963	VKRIFEM025FOE
32	25	16	73	126	78	19	90	2123	VKRIFEM032FOE
40	32	16	86	141	88	23	100	2491	VKRIFEM040FOE
50	40	16	98	164	93	24	117	2826	VKRIFEM050FOE
63	50	*10	122	199	111	28	144	3611	VKRIFEM063FOE

* PN16 upon request



VKRIF/CE 24 V AC/DC 4-20 mA

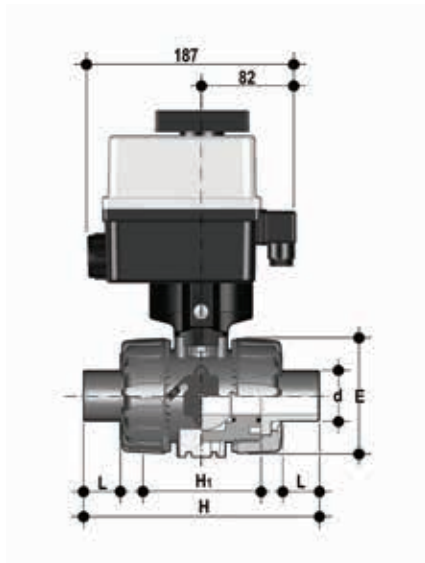
DUAL BLOCK® regulating ball valve with female ends for socket welding, metric series with electric modulating actuator 24 V AC/DC, 12 V DC

d	DN	PN	E	H	H ₁	L	Z	g	FKM Code
16	10	16	54	102	65	14	74.5	1830	VKRIFEL016FOE
20	15	16	54	102	65	15	73	1825	VKRIFEL020FOE
25	20	16	65	114	70	17	82	1963	VKRIFEL025FOE
32	25	16	73	126	78	19	90	2123	VKRIFEL032FOE
40	32	16	86	141	88	23	100	2491	VKRIFEL040FOE
50	40	16	98	164	93	24	117	2826	VKRIFEL050FOE
63	50	*10	122	199	111	28	144	3611	VKRIFEL063FOE

* PN16 upon request

DIMENSIONS

VKR/CE DN 10÷50 PVDF

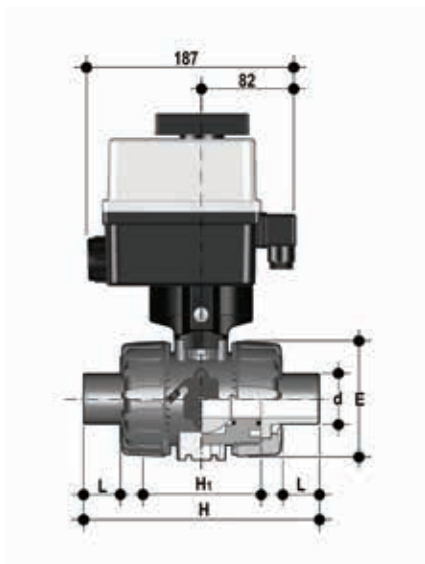


VKRDF/CE 90-240 V AC 4-20 mA

DUAL BLOCK® regulating ball valve with male ends for socket welding, metric series with multi-volt electric modulating actuator 90-240 V AC 50-60 Hz

d	DN	PN	E	H	H ₁	L	g	FKM Code
20	15	16	54	124	65	16	1825	VKRDFEM020FOE
25	20	16	65	144	70	18	1963	VKRDFEM025FOE
32	25	16	73	154	78	20	2123	VKRDFEM032FOE
40	32	16	86	174	88	22	2491	VKRDFEM040FOE
50	40	16	98	194	93	23	2826	VKRDFEM050FOE
63	50	*10	122	224	111	29	3611	VKRDFEM063FOE

* PN16 upon request



VKRDF/CE 24 V AC/DC 4-20 mA

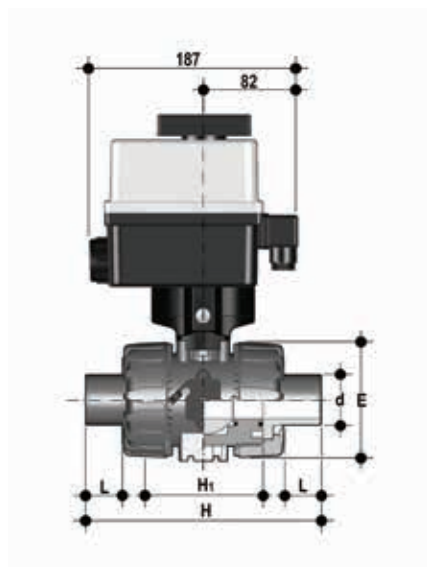
DUAL BLOCK® regulating ball valve with male ends for socket welding, metric series with electric modulating actuator 24 V AC/DC, 12 V DC

d	DN	PN	E	H	H ₁	L	g	FKM Code
20	15	16	54	124	65	16	1825	VKRDFELO20FOE
25	20	16	65	144	70	18	1963	VKRDFELO25FOE
32	25	16	73	154	78	20	2123	VKRDFELO32FOE
40	32	16	86	174	88	22	2491	VKRDFELO40FOE
50	40	16	98	194	93	23	2826	VKRDFELO50FOE
63	50	*10	122	224	111	29	3611	VKRDFELO63FOE

* PN16 upon request

DIMENSIONS

VKR/CE DN 10÷50 PVDF

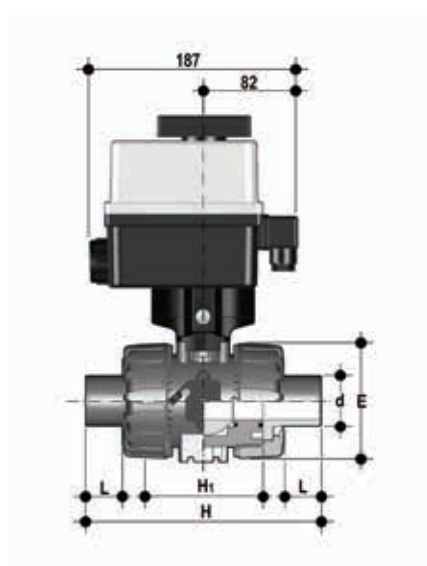


VKRBF/CE 90-240 V AC 4-20 mA

DUAL BLOCK® regulating ball valve with long spigot male ends in PVDF for head welding/IR (CVDF) with multi-volt electric modulating actuator 90-240 V AC 50-60 Hz

d	DN	PN	E	H	H ₁	L	Z	g	FKM Code
20	15	16	54	171	65	41	89	1825	VKRBFEM020FOE
25	20	16	65	204	70	52	100	1963	VKRBFEM025FOE
32	25	16	73	220	78	55	110	2123	VKRBFEM032FOE
40	32	16	86	238	88	56	126	2491	VKRBFEM040FOE
50	40	16	98	254	93	58	138	2826	VKRBFEM050FOE
63	50	*10	122	286	111	66	154	3611	VKRBFEM063FOE

* PN16 upon request



VKRBF/CE 24 V AC/DC 4-20 mA

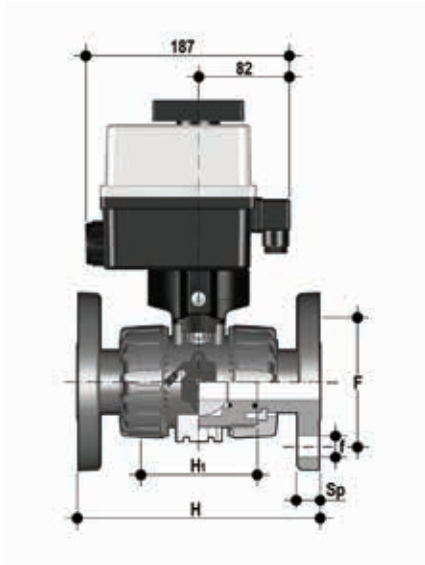
DUAL BLOCK® regulating ball valve with long spigot male ends in PVDF for head welding/IR (CVDF) with multi-volt electric modulating actuator 24 V AC/DC, 12 V DC

d	DN	PN	E	H	H ₁	L	Z	g	FKM Code
20	15	16	54	171	65	41	89	1825	VKRBFEL020FOE
25	20	16	65	204	70	52	100	1963	VKRBFEL025FOE
32	25	16	73	220	78	55	110	2123	VKRBFEL032FOE
40	32	16	86	238	88	56	126	2491	VKRBFEL040FOE
50	40	16	98	254	93	58	138	2826	VKRBFEL050FOE
63	50	*10	122	286	111	66	154	3611	VKRBFEL063FOE

* PN16 upon request

DIMENSIONS

VKR/CE DN 10÷50 PVDF

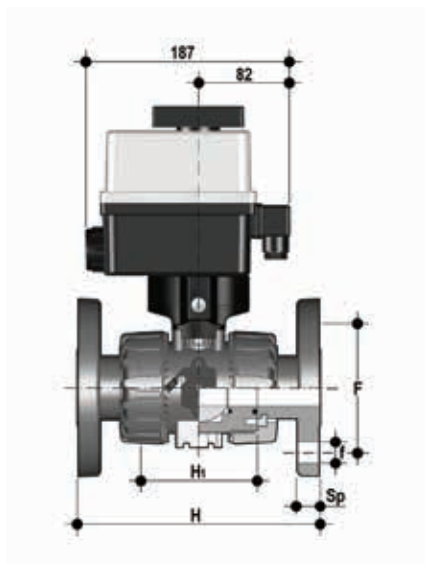


VKROF/CE 90-240 V AC 4-20 mA

DUAL BLOCK® regulating ball valve with fixed flanges, drilled EN/ISO/DIN PN10/16. Face to face according to EN 558-1. Multi-volt electric modulating actuator 90-240 V AC 50-60 Hz

d	DN	PN	H	H ₁	F	f	U	Sp	g	FKM Code
20	15	16	130	65	65	14	4	11	1825	VKROFEM020FOE
25	20	16	150	70	75	14	4	14	1963	VKROFEM025FOE
32	25	16	160	78	85	14	4	14	2123	VKROFEM032FOE
40	32	16	180	88	100	18	4	14	2491	VKROFEM040FOE
50	40	16	200	93	110	18	4	16	2826	VKROFEM050FOE
63	50	*10	230	111	125	18	4	16	3611	VKROFEM063FOE

* PN16 upon request



VKROF/CE 24 V AC/DC 4-20 mA

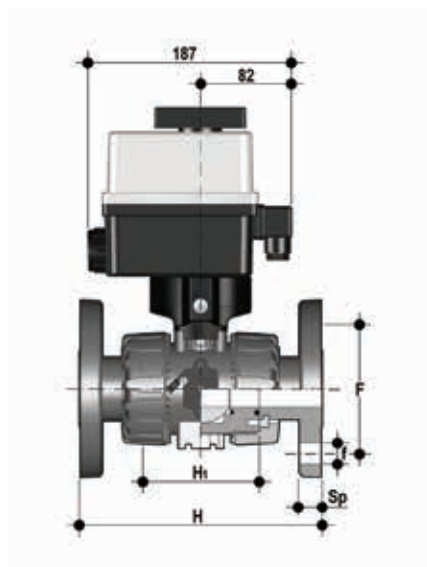
DUAL BLOCK® regulating ball valve with fixed flanges, drilled EN/ISO/DIN PN10/16. Face to face according to EN 558-1. 24 V AC/DC electric modulating actuator

d	DN	PN	H	H ₁	F	f	U	Sp	g	FKM Code
20	15	16	130	65	65	14	4	11	1825	VKROFEL020FOE
25	20	16	150	70	75	14	4	14	1963	VKROFEL025FOE
32	25	16	160	78	85	14	4	14	2123	VKROFEL032FOE
40	32	16	180	88	100	18	4	14	2491	VKROFEL040FOE
50	40	16	200	93	110	18	4	16	2826	VKROFEL050FOE
63	50	*10	230	111	125	18	4	16	3611	VKROFEL063FOE

* PN16 upon request

DIMENSIONS

VKR/CE DN 10÷50 PVDF

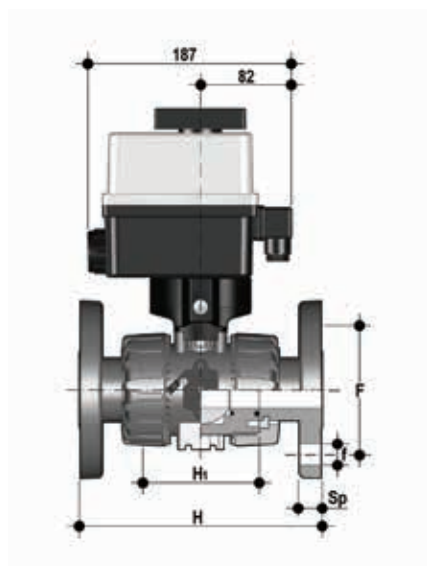


VKROAF/CE 90-240 V AC 4-20 mA

DUAL BLOCK® regulating ball valve with fixed flanges, drilled ANSI B16.5 cl.150#FF with multi-volt electric modulating actuator 24 V AC/DC, 12 V DC

d	DN	PN	H	H ₁	F	f	U	Sp	g	FKM Code
1/2"	15	16	143	65	60.3	15.9	4	11	1825	VKROAFEM012FOE
3/4"	20	16	172	70	69.9	15.9	4	14	1963	VKROAFEM034FOE
1"	25	16	187	78	79.4	15.9	4	14	2123	VKROAFEM100FOE
1" 1/4	32	16	190	88	88.9	15.9	4	14	2491	VKROAFEM114FOE
1" 1/2	40	16	212	93	98.4	15.9	4	16	2826	VKROAFEM112FOE
2"	50	*10	234	111	120.7	19.1	4	16	3611	VKROAFEM200FOE

* PN16 upon request



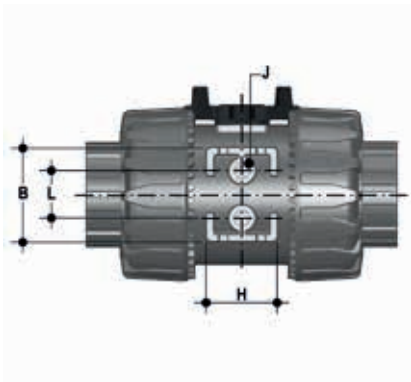
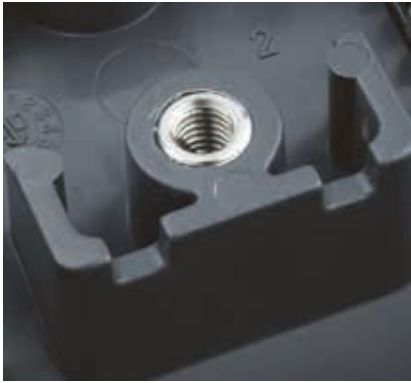
VKROAF/CE 24 V AC/DC 4-20 mA

DUAL BLOCK® regulating ball valve with fixed flanges, drilled ANSI B16.5 cl.150#FF with electric modulating actuator 24 V AC/DC, 12 V DC

d	DN	PN	H	H ₁	F	f	U	Sp	g	FKM Code
1/2"	15	16	143	65	60.3	15.9	4	11	1825	VKROAFEL012FOE
3/4"	20	16	172	70	69.9	15.9	4	14	1963	VKROAFEL034FOE
1"	25	16	187	78	79.4	15.9	4	14	2123	VKROAFEL100FOE
1" 1/4	32	16	190	88	88.9	15.9	4	14	2491	VKROAFEL114FOE
1" 1/2	40	16	212	93	98.4	15.9	4	16	2826	VKROAFEL112FOE
2"	50	*10	234	111	120.7	19.1	4	16	3611	VKROAFEL200FOE

* PN16 upon request

BRACKETS AND SUPPORTS



All valves, whether manual or actuated, must be adequately supported in many applications.

The VKR valve series is therefore set to be provided with threaded brackets (optional) that permit direct anchoring of the valve body without the need of other components.

For wall installation, dedicated PMKD mounting plates which are available as accessories can be used. These plates are to be fastened in place before the valve.

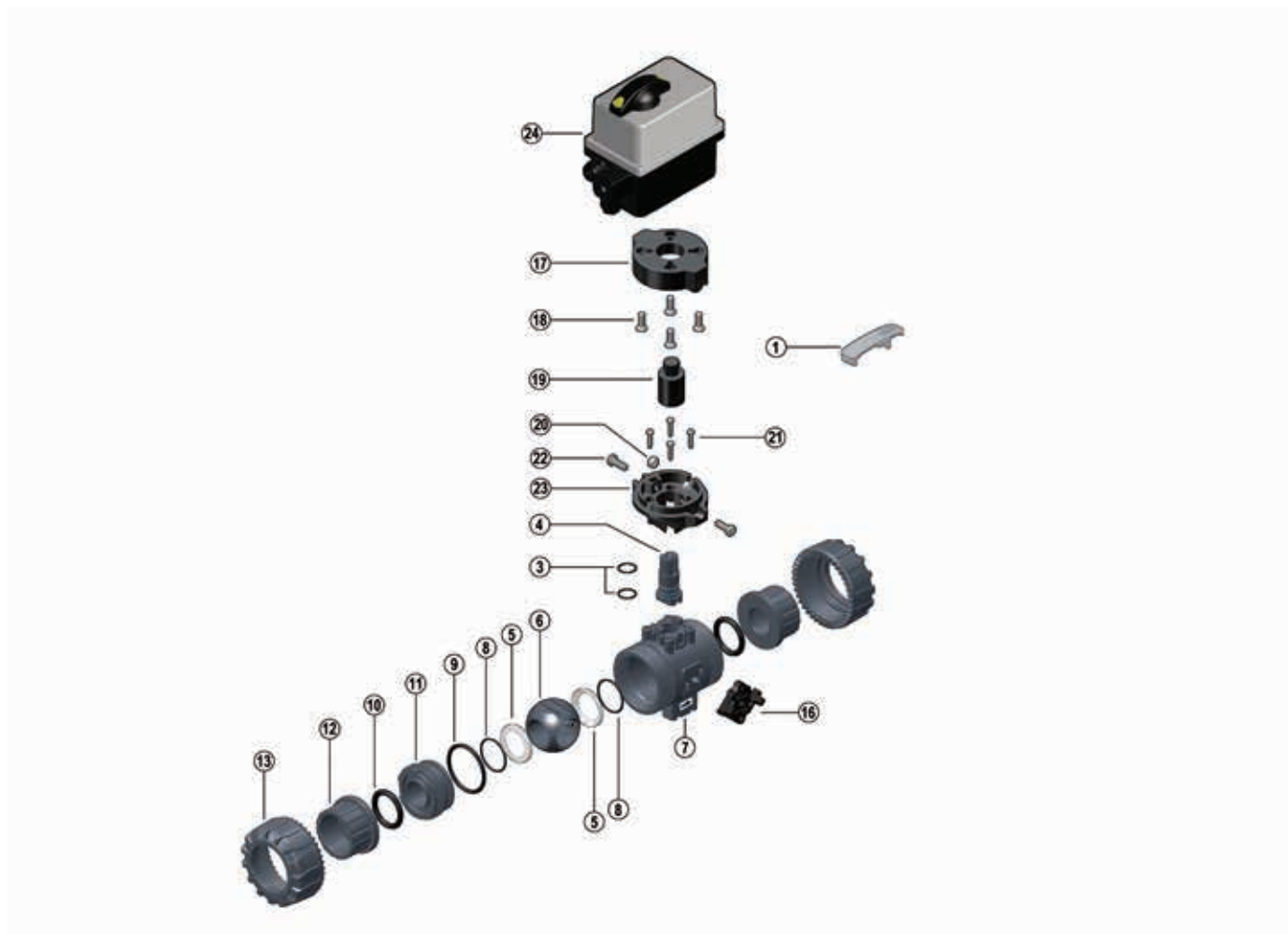
PMKD plates also allow VKR valve alignment with FIP ZIKM pipe clips as well as allowing different sizes of valves to be aligned.

d	DN	B	H	L	J*
16	10	31.5	27	20	M4 x 6
20	15	31.5	27	20	M4 x 6
25	20	40	30	20	M4 x 6
32	25	40	30	20	M4 x 6
40	32	50	35	30	M6 x 10
50	40	50	35	30	M6 x 10
63	50	60	40	30	M6 x 10

* With threaded inserts

COMPONENTS

EXPLODED VIEW



- | | | | | | |
|----------|--|-----------|---|-----------|--|
| 1 | Handle insert (PVC-U - 1) | 9 | Radial seal O-Ring (EPDM, FKM - 1)* | 17 | Upper plate (PP-GR - 1) |
| 3 | Stem seal (EPDM-FKM - 2)* | 10 | Socket seal O-Ring (EPDM-FKM - 2)* | 18 | Screw (STAINLESS steel - 4) |
| 4 | Stem (PVC-U / PP-H / PVDF - 1) | 11 | Ball seat carrier (PVC-U / PP-H / PVDF - 1) | 19 | Connection module (PP-GR/ stainless steel - 1) |
| 5 | Ball seal (PTFE - 2)* | 12 | End connector (PVC-U / PP-H / PVDF - 2)* | 20 | Nut (stainless steel - 2) |
| 6 | Patented ball design (PVC-U / PP-H / PVDF - 1) | 13 | Union nut (PVC-U / PP-H / PVDF - 2) | 21 | Screw (STAINLESS steel - 4) |
| 7 | Body (PVC-U / PP-H / PVDF - 1) | 16 | DUAL BLOCK® (POM - 1) | 22 | Screw (STAINLESS steel - 2) |
| 8 | Ball seal O-Rings (EPDM-FKM - 2)* | | | 23 | Lower plate (PP-GR - 1) |
| | | | | 24 | Electric actuator (PA6-Nylon - 1) |

* Spare parts

The material the component is made of and the quantity supplied are shown in brackets

DISASSEMBLY

- 1) Isolate the valve from the line (release the pressure and empty the pipeline).
- 2) Disconnect the actuator from the power mains.
- 3) Remove the two screws (22) and lift the actuator (24) with the upper plate (17).
- 4) Release the union nuts by pressing the lever on the DUAL BLOCK® (16) along the axis and separate it from the union nut (fig. 1). It is also possible to completely remove the locking device from the valve body.
- 5) Fully unscrew the union nuts (13) and extract the body sideways.
- 6) Before dismantling, hold the valve in a vertical position and open it 45° to drain any liquid that might remain.
- 7) After closing the valve, remove the special insert (1) and push the two projecting ends into the corresponding recesses on the ball seat carrier (11), turning counter-clockwise to extract it.
- 8) Press on the ball from the side opposite the "REGULAR - ADJUST" label, being sure not to scratch it, until the ball seat carrier exits (11), then extract the ball (6).
- 9) Extract the connection module (19) by pulling up.
- 10) Press the stem (4) inwards until it exits the body.
- 11) All the O-rings (3, 8, 9, 10) and PTFE ball seats (5) must be removed from their grooves, as shown in the exploded view.

ASSEMBLY

- 1) All the O-rings (3, 8, 9, 10) must be inserted in their grooves as shown in the exploded view.
- 2) Insert the stem (4) from inside the valve body (7).
- 3) Place the PTFE ball seats (5) in the housings in the body (7) and in the ball seat carrier (11).
- 4) Insert the ball (6) in the body as shown in fig. 2.
- 5) Screw the support (11) into the body and tighten up in the clockwise direction using the special insert (1) housed in the handle.
- 6) If previously removed, reassemble the DUAL BLOCK® system (16) on the valve body.
- 7) Insert the valve between the end connectors (12) making sure that they match the direction of flow shown by the arrow on the plate, then tighten the union nuts (13) making sure that the socket O-rings (10) do not come out of their grooves.
- 8) Insert the connection module (19) on the stem (4).
- 9) Reassemble the actuator (24) with plate (17) on the valve making sure the ball position (6) and actuator stem are aligned.
- 10) Tighten the two screws (22) and reconnect the actuator to the power supply.



All operations on equipment under pressure or containing compressed springs must be carried out under safe conditions for the operator.

Note: during mounting operations, it is advisable to lubricate the rubber seals. Mineral oils are not recommended for this task as they react aggressively with EPDM rubber.

The photos refer to the manual version and are purely exemplary.

Fig. 1



Fig. 2



INSTALLATION

Before proceeding with installation, please follow these instructions carefully:

- 1) Check that the pipes to be connected to the valve are aligned in order to avoid mechanical stress on the threaded joints.
 - 2) Check that the DUAL BLOCK® union nut locking device (16) is installed on the valve body.
 - 3) To release the union nuts (13), axially press the release lever to separate the lock and then unscrew it in the counter-clockwise direction.
 - 4) Unscrew the union nuts (13) and insert them on the pipe segments.
 - 5) Solvent weld or screw the end connectors (12) onto the pipe ends.
 - 6) Position the valve between the end connectors making sure the that direction of flow is the same as shown by the arrow on the plate. Hand tighten the union nuts (13) in the clockwise direction. Do not use a wrench or other tools which might damage the surface.
 - 7) Lock the union nuts by returning the DUAL BLOCK® to its housing, pressing on it until the hinges lock on the nuts.
 - 8) If necessary, support the pipework with FIP pipe clips or by means of the carrier built into the valve itself (see paragraph "fastening and supporting").
- Seals can be adjusted using the insert (1).

The seals can be adjusted later with the valve installed on the pipe by simply tightening the union nuts. This "micro adjustment", only possible with FIP valves thanks to the patented "Seat stop system", allows the seal to be recovered where PTFE ball seats are worn due to a high number of operations.

The Easytorque kit can also be used for micro adjustments (fig. 3).

Fig. 3



WARNINGS

- Always avoid sudden closing manoeuvres and protect the valve from accidental operations.



TKD/CE - TKD/CP DN 10÷50

PVC-U/PVC-C/PP-H

ELECTRICALLY OR PNEUMATICALLY ACTUATED
THREE-WAY DUAL BLOCK® BALL VALVE



TKD/CE – TKD/CP DN 10÷50

FIP has developed a TKD DUAL BLOCK[®] ball valve to introduce a high reference standard in thermoplastic valve design. TKD is a True Union diverting and mixing ball valve that meets the most stringent needs required in industrial applications.



ELECTRICALLY OR PNEUMATICALLY ACTUATED THREE-WAY DUAL BLOCK[®] BALL VALVE

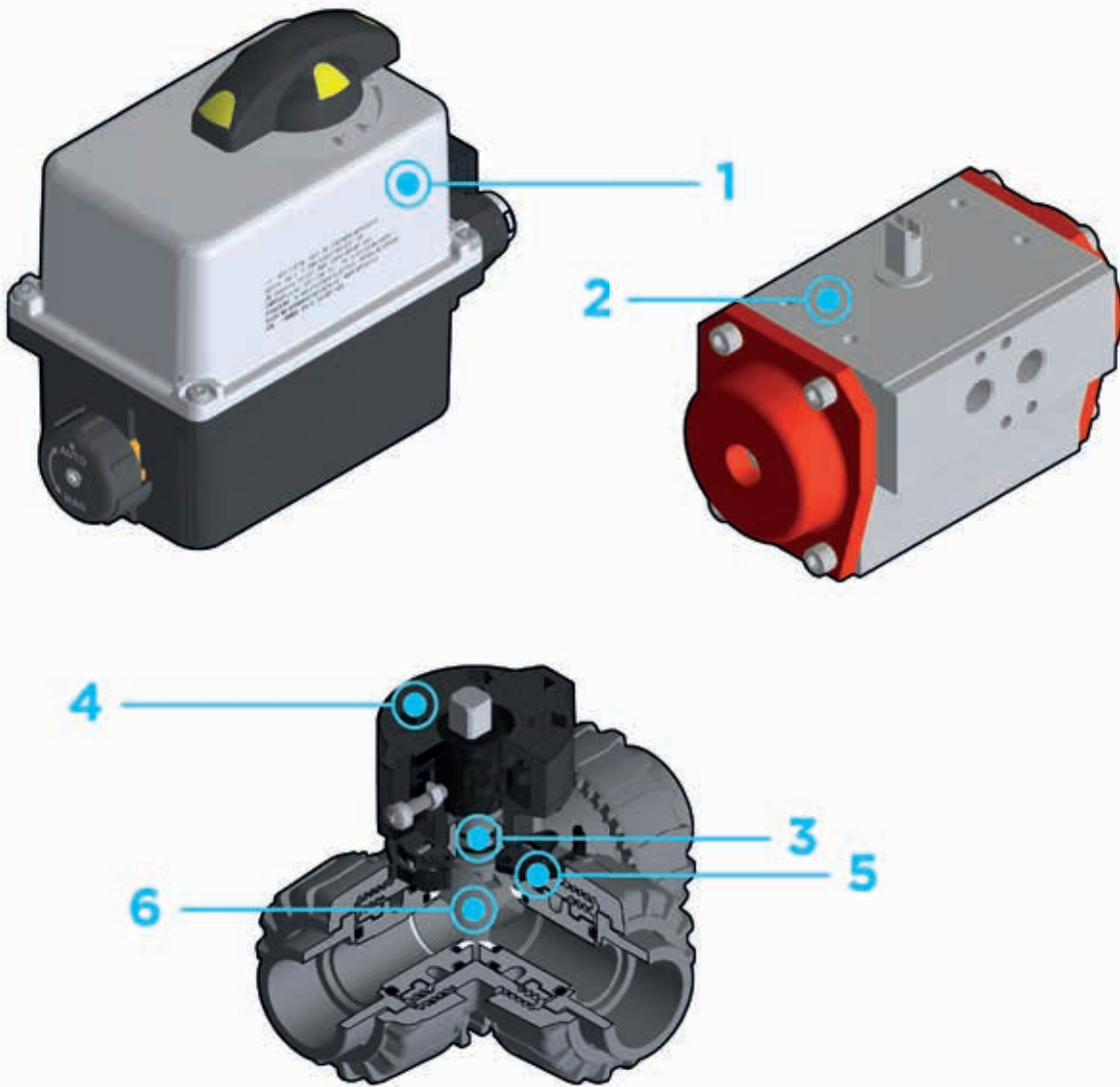
- Joint system for solvent welding (PVC-U and PVC-C only), for welding (PP-H only), for threading
- Patented SEAT STOP[®] ball seat carrier system that lets you micro-adjust ball seats and minimise axial force effects
- Easy radial disassembly allowing quick replacement of O-rings and ball seats without any need for tools
- Radial dismounting valve body (True Union) made for PVC-U, PVC-C and PP-H injection moulding equipped with built-in bores for actuation. ISO 9393 compliant test requisites
- Option of disassembling downstream pipes with the valve in the closed position
- High surface finish stem with double O-Ring and double connection key to the ball, equipped with visual ball position indicator for correct handle installation
- Integrated bracket for valve anchoring
- Possibility of installing pneumatic and/or electric actuators thanks to the robust anchor tower for easy and quick automation using the Power Quick module.

Technical specifications - TKD	
Construction	3-way radial dismounting ball valve with locked carrier and union nuts.
Size range	DN 10 ÷ 50
Nominal pressure	PVC-U: PN 16 with water at 20° C PVC-C: PN16 with water at 20° C PP-H: PN10 with water at 20° C
Temperature range	PVC-U: 0 °C ÷ 60 °C PVC-C: 0° C ÷ 100° C PP-H: 0° C ÷ 100° C
PVC-U coupling standards	Solvent welding: EN ISO 1452, EN ISO 15493, BS 4346-1, DIN 8063, NF T54-028, ASTM D 2467, JIS K 6743. Can be coupled to pipes according to EN ISO 1452, EN ISO 15493, DIN 8062, NF T54-016, ASTM D 1785, JIS K 6741. Thread: ISO 228-1, DIN 2999, ASTM D 2464, JIS B 0203.
PVC-C coupling standards	Solvent welding: EN ISO 15493, ASTM F 439. Can be coupled to pipes according to EN ISO 15493, ASTM F 441 Thread: ISO 228-1, DIN 2999, ASTM F 437
PP-H coupling standards	Welding: EN ISO 15494 Can be coupled to pipes according to EN ISO 15494 Thread: ISO 228-1, DIN 2999
Reference standards	PVC-U construction criteria: EN ISO 16135, EN ISO 1452, EN ISO 15493 PVC-C construction criteria: EN ISO 16135, EN ISO 15493 PP-H construction criteria: EN ISO 16135, EN ISO 15494 Test methods and requirements: ISO 9393 PVC-U/PVC-C installation criteria: DVS 2204, DVS 2221, UNI 11242 PP-H installation criteria: DVS 2202-1, DVS 2207-11, DVS 2208-1, UNI 11318 Actuator couplings: ISO 5211
Valve material	PVC-U / PVC-C / PP-H
Seal material	EPDM, FKM (standard size O-Rings); PTFE (ball seats)
Control options	Electric actuator; pneumatic actuator

In addition to the manually actuated version, TKD is also available in TKD/CE electrically actuated and TKD/CP pneumatically actuated configurations. Actuators are firmly connected to the valve by the special FIP Power Quick modules fully made of PP-GR technopolymer. TKD/CE and TKD/CP are constructed with actuators meeting current regulations and selected by FIP according to their quality and reliability requirements. The efficiency of these valves, tested according to the company's quality standards, is guaranteed by the expertise and know-how that FIP dedicates to manufacturing its products.

Technical specifications - Electric actuator	
Reference standards	Construction criteria: Electromagnetic compatibility EMC 2004/108/CE. Low voltage directive 2006/95/CE. Machinery directive 2006/42/CE. R.O.H.S. directive 2011/65/CE Coupling for valves: ISO 5211; DIN 3337
Actuator material	Plastic parts: PA6,6 FV 30% and Nylon. Metallic parts: 304L stainless steel or steel + tin-plating
Supply Voltage	12V DC* - 24V AC/DC - 90-240V AC - 400V three phase* *voltages available upon request
Temperature range	From -10 °C to +55 °C
Standard equipment	<ul style="list-style-type: none"> • Manual safety override • Visual position indicator • Two auxiliary limit switches (5A) adjustable FC1, FC2 • Torque limiter • Heating resistor (for 12V DC)
Accessories	<ul style="list-style-type: none"> • Positioner board 4-20 mA or 0-10V DC • Fail Safe unit • Anti-condensation heating element • Feedback potentiometer 100 - 1000 - 5000 - 10000 Ohm • 4-20 mA position transmitter • Additional pair of auxiliary limit switches • 3rd position 180°
Special versions upon request	<ul style="list-style-type: none"> • CEI34 50% service • Protection class IP68 or ATEX II 2 GD EEx d IIB T6 • Different operating times
Electrical connection	<ul style="list-style-type: none"> • Power supply: DIN 43650 connector 3P + GND • Limit switch: Cable gland ISO M20

Technical specifications - Pneumatic actuator	
Reference standards	Construction criteria: Machinery directive 2006/42/CE R.O.H.S. directive 2011/65/CE EN 15714-3 Coupling for valves: ISO 5211, DIN 3337 Compressed air connections: NAMUR VDI\VDE-3845 Top connections for accessories: NAMUR VDI\VDE-3845
Actuator material	Body: hard coat anodised extruded aluminium. IP67 Bonnet: polyester powder painted aluminium alloy Pinion: nickel-plated carbon steel Other materials available upon request
Control air pressure	From 5 to 8 bar. Pmax= 10 bar Reduced control pressure executions available upon request
Power supply	Dry or lubricated filtered compressed air. If using other fluids, contact the FIP service centre
Temperature range	From -20 °C to +80 °C
Standard equipment	• Optical position indicator
Accessories	<ul style="list-style-type: none"> • LSQT electromechanical and PNP inductive limit switch boxes (Namur upon request) • Electric-pneumatic positioner 4-20 mA • 3-5/2 way pilot solenoid valves
Available options	Body and bonnet with PTFE, AISI 316 or AISI 316 coating with mirror polishing. 304 or 316 stainless steel pinion.



1 Electric actuator constructed according to FIP specifications; with plastic shell and standard emergency override. Available with voltages from 12 to 240V.

2 Rack & pinion type pneumatic actuator constructed according to FIP specifications: fully protected against weather corrosion available in double-acting (DA) or simple-acting normally closed (NC) or normally open (NO) versions. Three different positions according to 2 configurations are possible with T ball: 0°-90°-180° and 0°-90°-270°.

3 High surface finish stem with double O-Ring. The double connection key system guarantees solid and reliable actuator torque transmission to the ball.

4 Easy to install **PowerQuick** module for pneumatic or electric actuator fully made of highly robust technopolymer.

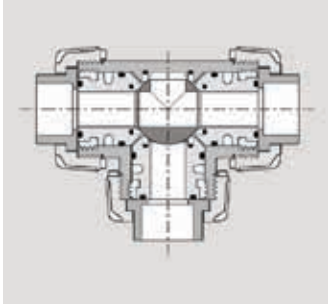
5 **DUAL BLOCK®** patented lock system that ensures union nut tightening hold even in severe conditions such as vibrations or heat dilation.

6 **Ball shutter** high surface finish with floating type full passage with **T** or **L** port.

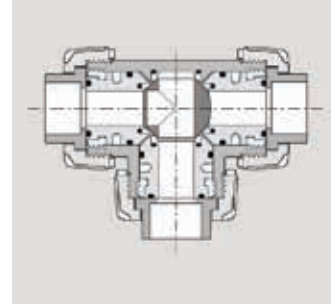
THREE-WAY VALVE CONFIGURATIONS WITH "T" BALL

CONFIGURATION 1

Pos. 0°

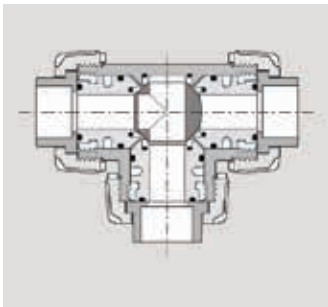


Pos. 90°

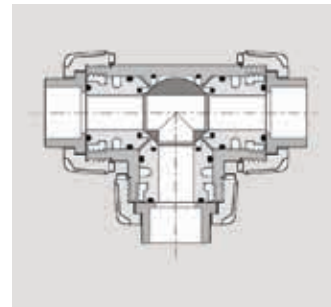


CONFIGURATION 2

Pos. 0°

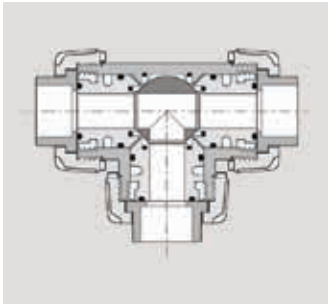


Pos. 90°

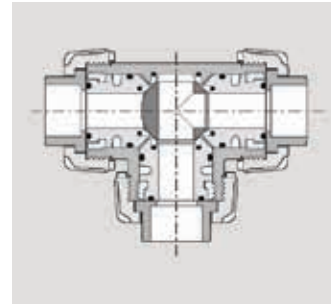


CONFIGURATION 3

Pos. 0°

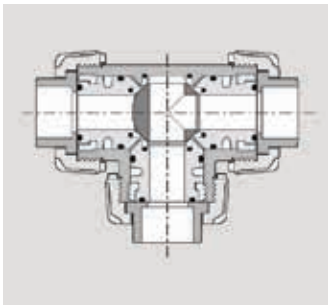


Pos. 90°

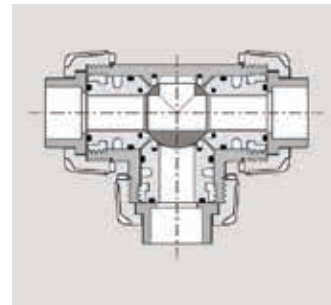


CONFIGURATION 4

Pos. 0°



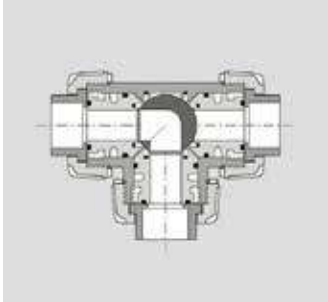
Pos. 90°



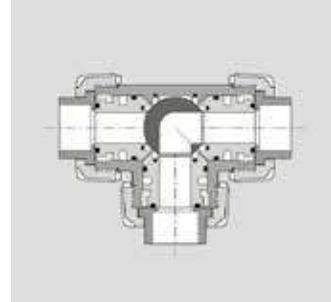
THREE-WAY VALVE CONFIGURATIONS WITH "L" BALL

CONFIGURATION 1

Pos. 0°



Pos. 90°

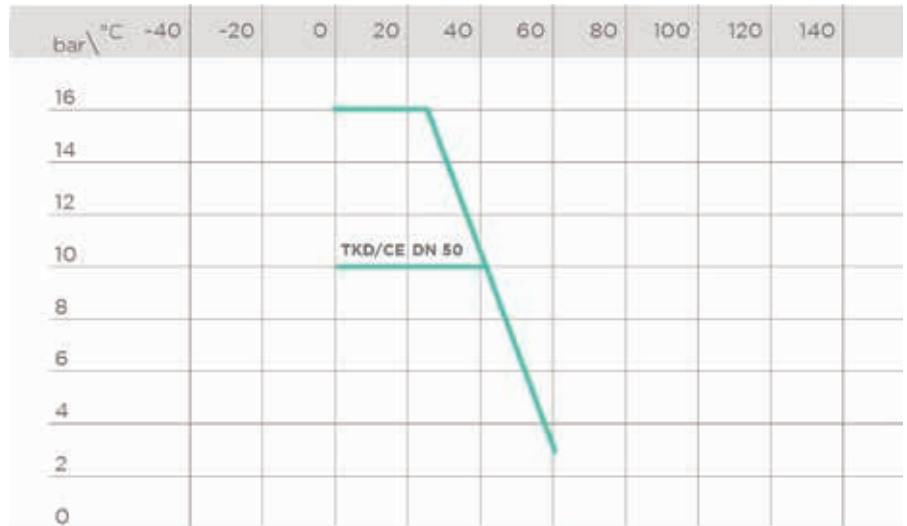


TECHNICAL DATA

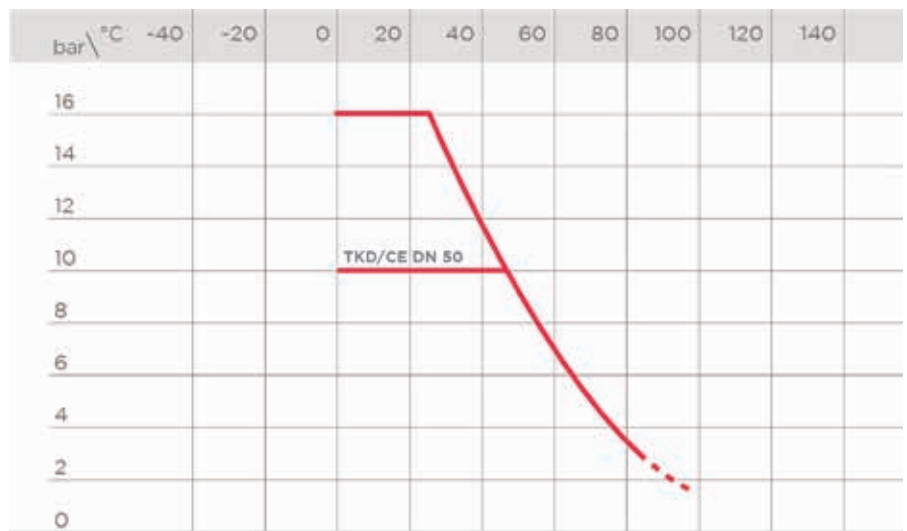
PRESSURE VARIATION ACCORDING TO TEMPERATURE

PVC-U BODY

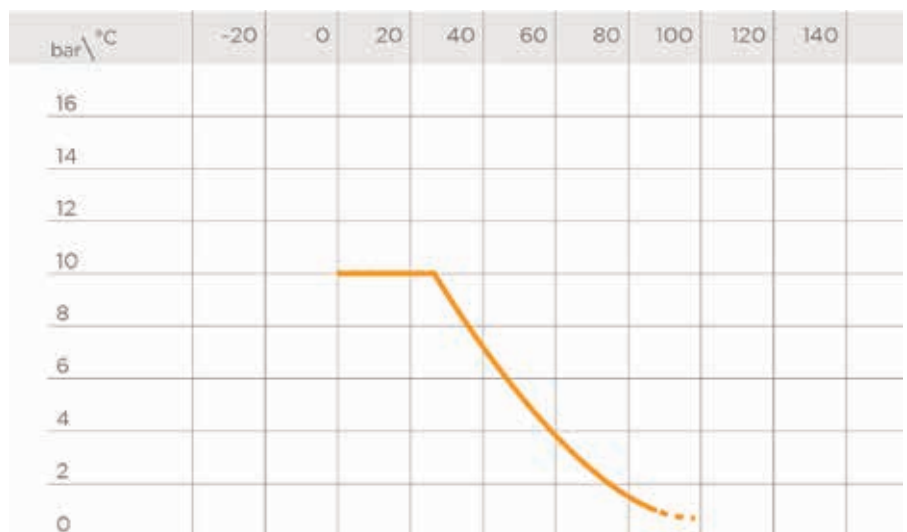
For water and non-hazardous fluids with regard to which the material is classified as CHEMICALLY RESISTANT. In other cases, a reduction of the nominal pressure PN is required (25 years with safety factor).



PVC-C BODY

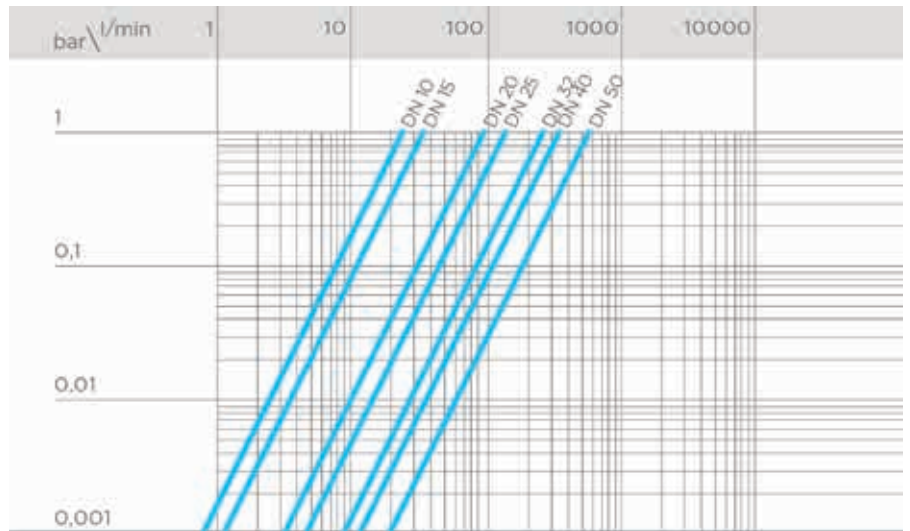
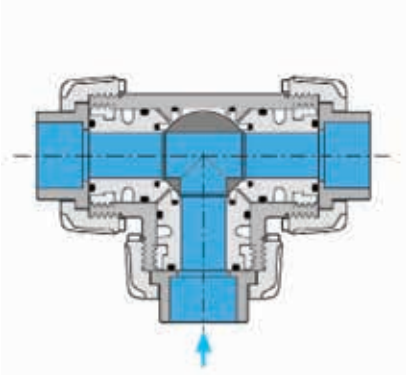


PP-H BODY

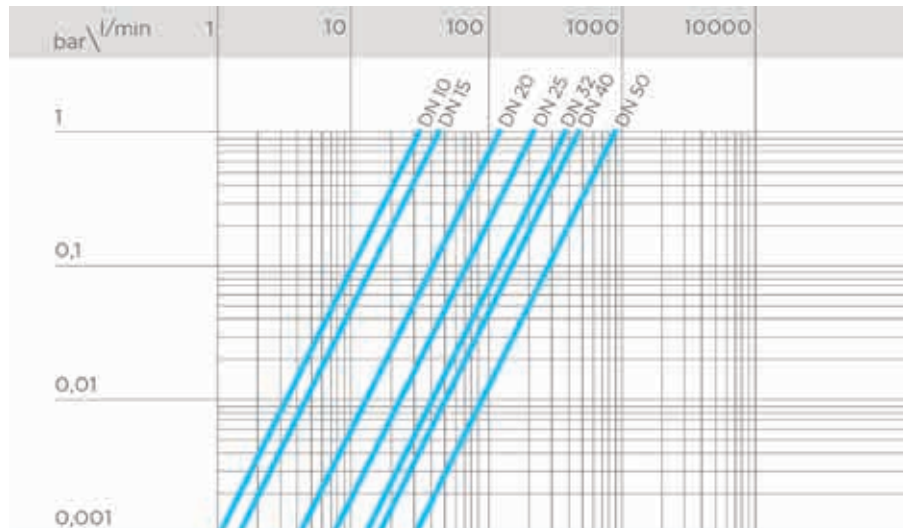
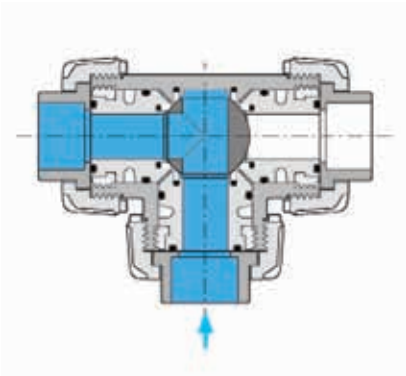


PRESSURE DROP GRAPH AND WORK POSITIONS

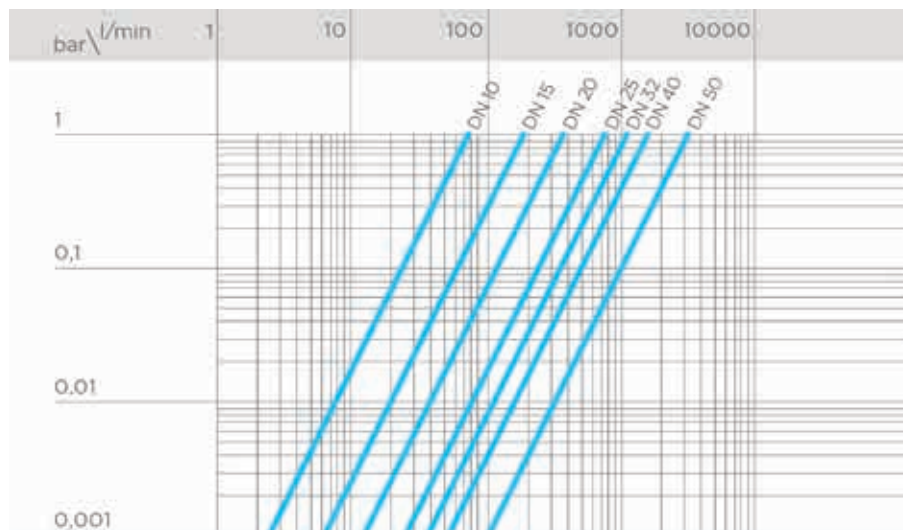
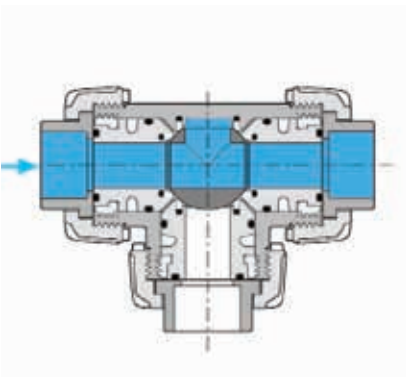
A - T-port ball valve:
0° - Mixing



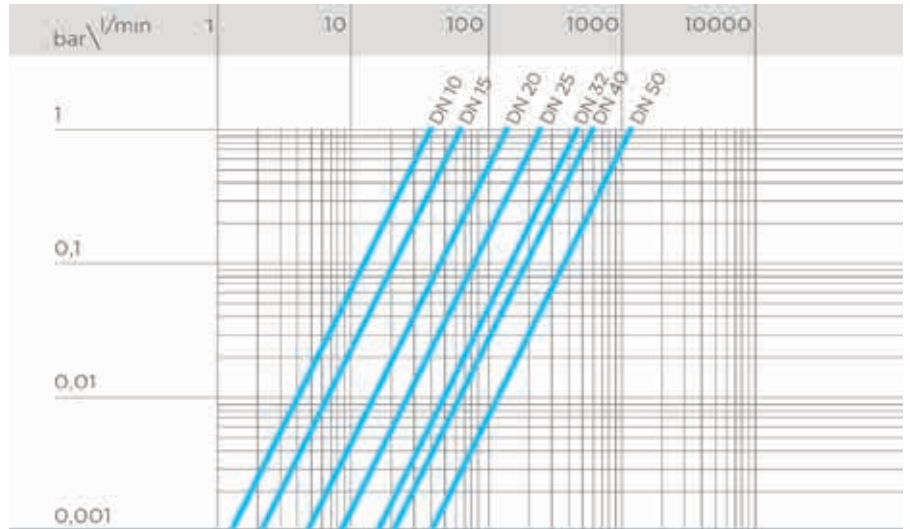
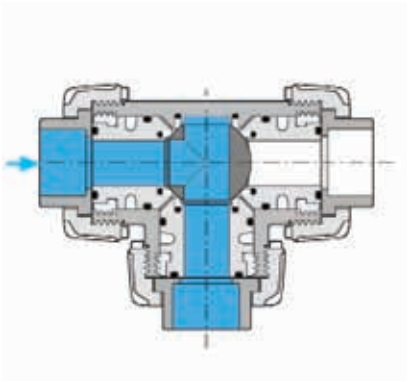
B - T-port ball valve:
90° - Diverting



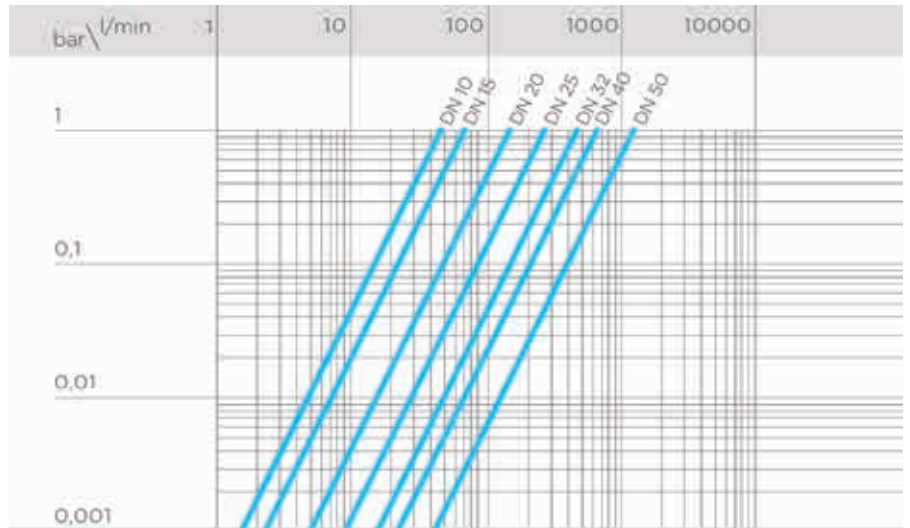
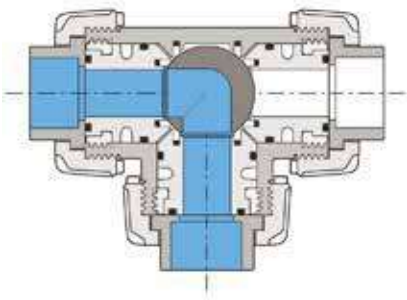
C - T-port ball valve:
180° - Branch closed/direct flow



D - T-port ball valve:
270° - Diverting



E - L-port ball valve:
0°/270° - Diverting



K_v100 FLOW COEFFICIENT

The K_v100 flow coefficient is the Q flow of litres per minute of water at a temperature of 20°C that will generate Δp= 1 bar pressure drop at a certain valve position.

The K_v100 values shown in the table are calculated with the valve completely open.

DN	10	15	20	25	32	40	50
A	25	35	95	140	270	330	620
B	37	55	135	205	390	475	900
C	78	195	380	760	1050	1700	3200
D	40	65	145	245	460	600	1200
E	48	73	150	265	475	620	1220

ELECTRIC ACTUATOR DATA

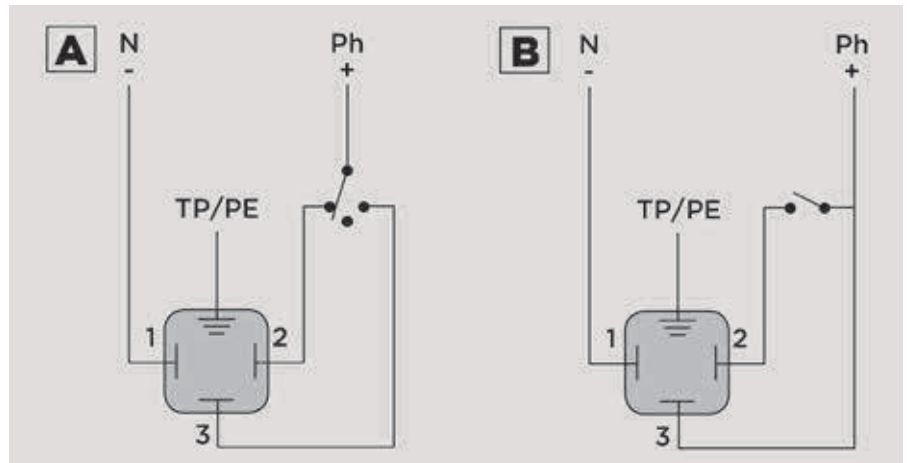
FUNCTIONAL CHARACTERISTICS

Characteristics	DC	AC/DC	AC
Power supply	*12V	24V	90±240V
Power	15W	15W	15W
Max operating time	11 s	12 s	13 s
IEC34 service	50%	30%	30%
Protection class	IP66	IP65	IP65
Frequency	-	50/60 Hz	50/60 Hz

*Upon request

POWER CONNECTION DIAGRAM

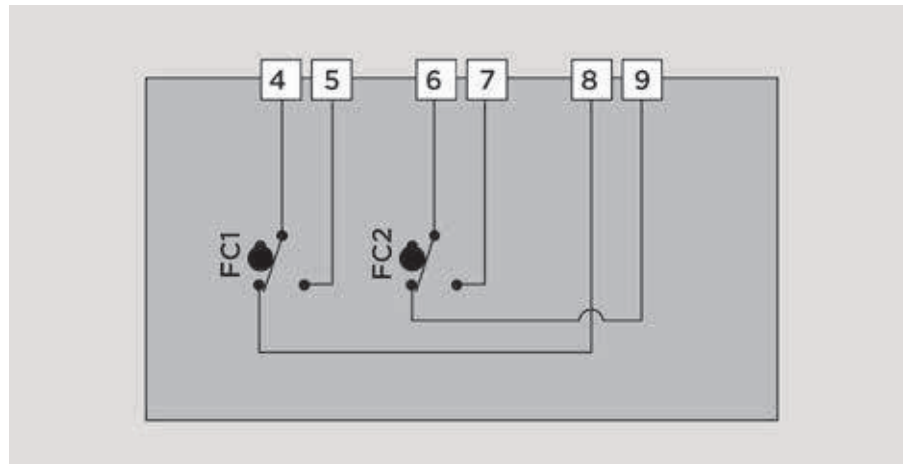
- 1 Shared
- 2 Open
- 3 Closed



AUXILIARY LIMIT SWITCH CONNECTION DIAGRAM

- FC1 Open auxiliary limit switch
- FC2 Close auxiliary limit switch

- 4 Shared FC1
- 5 Open FC1
- 6 Shared FC2
- 7 Open FC2
- 8 Close FC1
- 9 Close FC2



PNEUMATIC ACTUATOR DATA

FUNCTIONAL CHARACTERISTICS

Function type	double-acting	Single-acting (SA)
Valve opening	air	air
Valve closing	air	spring

ACTUATOR CAPACITY

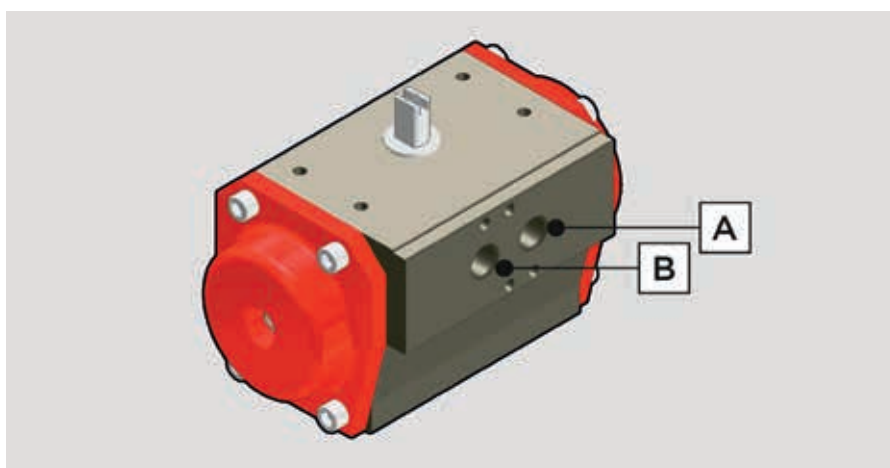
L: litre, equivalent to 10^{-3} m^3

Air consumption in normal litres (or normal cubic metres) per operating cycle can be calculated by correcting according to operating conditions such as control air pressure.

DN	10 - 15	20 ÷ 40	50
DA	0.23 L	0.45 L	0.61 L
SA	0.092 L	0.18 L	0.244 L

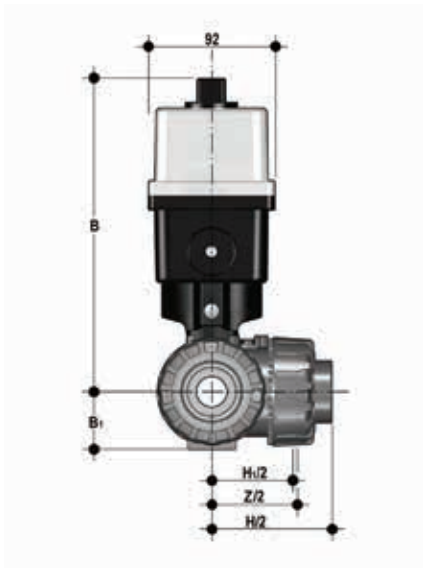
COMPRESSED AIR CONNECTIONS

Function type	Double-acting (DA)	Single-acting (SA)
Valve opening	Inlet A	Inlet A
Valve closing	Inlet B	-



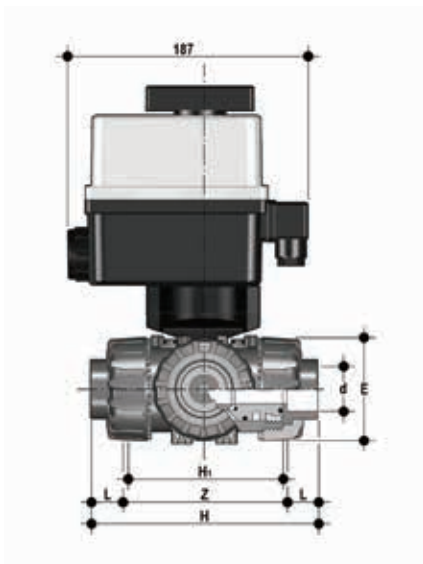
DIMENSIONS

TKD/CE DN 10÷50 PVC-U



Dimensions common to all versions

DN	B	B ₁
10	205	29
15	205	29
20	216	34.5
25	221	39
32	238	46
40	244	52
50	261	62



TKDIV/CE 90-240 V AC

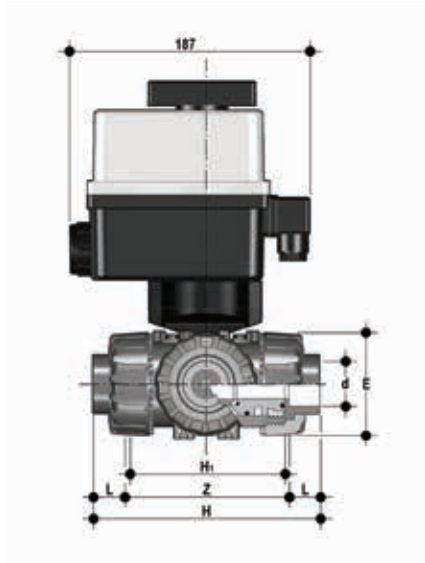
3 way DUAL BLOCK® valve with female metric ends with multi-volt electric actuator 90-240 V AC 50-60 Hz "T" ball, configuration 1

d	DN	PN	E	H	H ₁	L	Z	g	EPDM Code	FKM Code
16	10	16	54	118	80	14	90	1843	TKDIVEM016E1	TKDIVEM016F1
20	15	16	54	118	80	16	86	1843	TKDIVEM020E1	TKDIVEM020F1
25	20	16	65	145	100	19	107	2076	TKDIVEM025E1	TKDIVEM025F1
32	25	16	73	160	110	22	116	2299	TKDIVEM032E1	TKDIVEM032F1
40	32	16	86	188.5	131	26	136.5	2880	TKDIVEM040E1	TKDIVEM040F1
50	40	16	98	219	148	31	157	3242	TKDIVEM050E1	TKDIVEM050F1
63	50	*10	122	266.5	179	38	190.5	4362	TKDIVEM063E1	TKDIVEM063F1

* PN16 upon request

DIMENSIONS

TKD/CE DN 10÷50 PVC-U

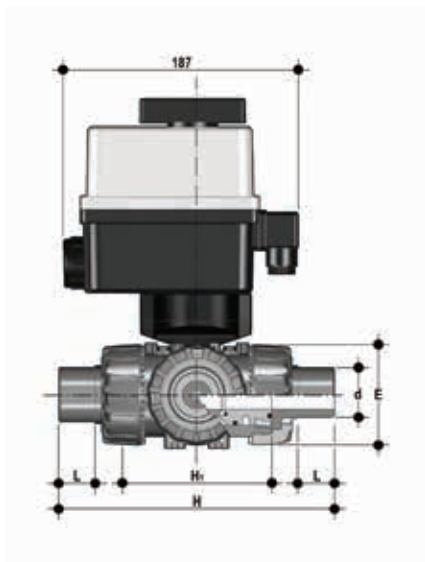


TKDIV/CE 24 V AC/DC

3 way DUAL BLOCK® valve with female metric ends with electric actuator 24 V AC/DC "T" ball, configuration 1

d	DN	PN	E	H	H ₁	L	Z	g	EPDM Code	FKM Code
16	10	16	54	118	80	14	90	1843	TKDIVELO16E1	TKDIVELO16F1
20	15	16	54	118	80	16	86	1843	TKDIVELO20E1	TKDIVELO20F1
25	20	16	65	145	100	19	107	2076	TKDIVELO25E1	TKDIVELO25F1
32	25	16	73	160	110	22	116	2299	TKDIVELO32E1	TKDIVELO32F1
40	32	16	86	188.5	131	26	136.5	2880	TKDIVELO40E1	TKDIVELO40F1
50	40	16	98	219	148	31	157	3242	TKDIVELO50E1	TKDIVELO50F1
63	50	*10	122	266.5	179	38	190.5	4362	TKDIVELO63E1	TKDIVELO63F1

* PN16 upon request



TKDDV/CE 90-240 V AC

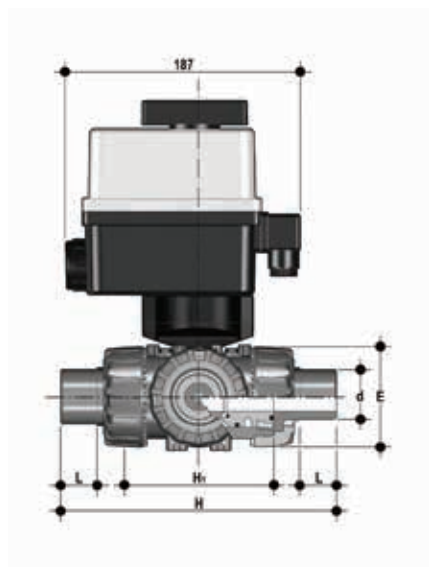
3 way DUAL BLOCK® ball valve with metric male ends with multi-volt electric actuator 90-240 V AC 50-60 Hz. "T" ball, configuration 1

d	DN	PN	E	H	H ₁	L	Z	g	EPDM Code	FKM Code
20	15	16	54	140	80	16	1843	TKDDVEM020E1	TKDDVEM020F1	
25	20	16	65	175	100	19	2076	TKDDVEM025E1	TKDDVEM025F1	
32	25	16	73	188	110	22	2299	TKDDVEM032E1	TKDDVEM032F1	
40	32	16	86	220	131	26	2880	TKDDVEM040E1	TKDDVEM040F1	
50	40	16	98	251	148	31	3242	TKDDVEM050E1	TKDDVEM050F1	
63	50	*10	122	294	179	38	4362	TKDDVEM063E1	TKDDVEM063F1	

* PN16 upon request

DIMENSIONS

TKD/CE DN 10÷50 PVC-U

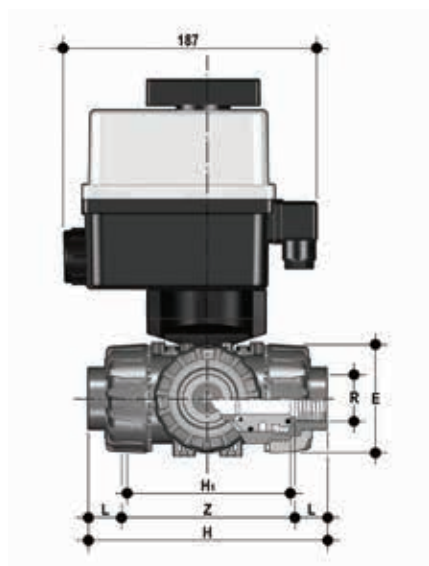


TKDDV/CE 24 V AC/DC

3 way DUAL BLOCK® ball valve with metric male ends with electric actuator 24 V AC/DC. "T" ball, configuration 1

d	DN	PN	E	H	H ₁	L	g	EPDM Code	FKM Code
20	15	16	54	140	80	16	1843	TKDDVEL020E1	TKDDVEL020F1
25	20	16	65	175	100	19	2076	TKDDVEL025E1	TKDDVEL025F1
32	25	16	73	188	110	22	2299	TKDDVEL032E1	TKDDVEL032F1
40	32	16	86	220	131	26	2880	TKDDVEL040E1	TKDDVEL040F1
50	40	16	98	251	148	31	3242	TKDDVEL050E1	TKDDVEL050F1
63	50	*10	122	294	179	38	4362	TKDDVEL063E1	TKDDVEL063F1

* PN16 upon request



TKDFV/CE 90-240 V AC

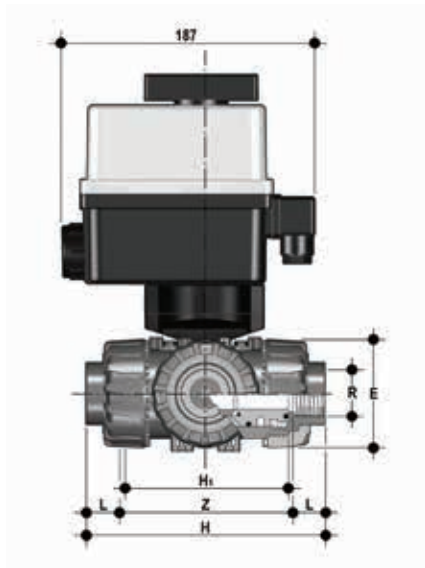
3 way DUAL BLOCK® ball valve with gas cylinder thread female ends with multi-volt electric actuator 90-240 V AC 50-60 Hz "T" ball, configuration 1

R	DN	PN	E	H	H ₁	L	Z	g	EPDM Code	FKM Code
3/8"	10	16	54	118	80	11.4	95	1843	TKDFVEM038E1	TKDFVEM038F1
1/2"	15	16	54	125	80	15	95	1843	TKDFVEM012E1	TKDFVEM012F1
3/4"	20	16	65	146	100	16.3	114	2076	TKDFVEM034E1	TKDFVEM034F1
1"	25	16	73	166	110	19.1	129	2299	TKDFVEM100E1	TKDFVEM100F1
1" 1/4	32	16	86	195.5	131	21.4	151	2880	TKDFVEM114E1	TKDFVEM114F1
1" 1/2	40	16	98	211	148	21.4	166	3242	TKDFVEM112E1	TKDFVEM112F1
2"	50	*10	122	253.5	179	25.7	199	4362	TKDFVEM200E1	TKDFVEM200F1

* PN16 upon request

DIMENSIONS

TKD/CE DN 10÷50 PVC-U

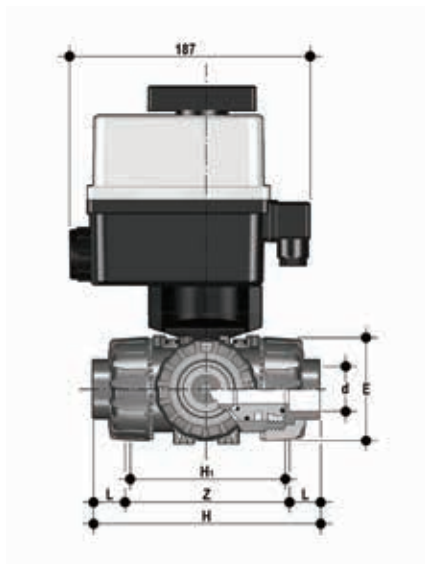


TKDFV/CE 24 V AC/DC

3 way DUAL BLOCK® ball valve with gas cylinder thread female ends with electric actuator 24 V AC/DC "T" ball, configuration 1

R	DN	PN	E	H	H ₁	L	Z	g	EPDM Code	FKM Code
3/8"	10	16	54	118	80	11.4	95	1843	TKDFVEL038E1	TKDFVEL038F1
1/2"	15	16	54	125	80	15	95	1843	TKDFVEL012E1	TKDFVEL012F1
3/4"	20	16	65	146	100	16.3	114	2076	TKDFVEL034E1	TKDFVEL034F1
1"	25	16	73	166	110	19.1	129	2299	TKDFVEL100E1	TKDFVEL100F1
1" 1/4	32	16	86	195.5	131	21.4	151	2880	TKDFVEL114E1	TKDFVEL114F1
1" 1/2	40	16	98	211	148	21.4	166	3242	TKDFVEL112E1	TKDFVEL112F1
2"	50	*10	122	253.5	179	25.7	199	4362	TKDFVEL200E1	TKDFVEL200F1

* PN16 upon request



TKDLV/CE 90-240 V AC

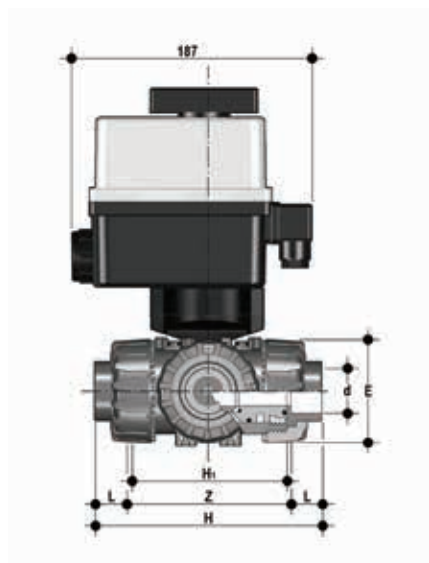
3 way DUAL BLOCK® ball valve with female ends, BS series with multi-volt electric actuator 90-240 V AC 50-60 Hz "T" ball, configuration 1

d	DN	PN	E	H	H ₁	L	Z	g	EPDM Code	FKM Code
3/8"	10	16	54	118	80	14.7	88.6	1843	TKDLVEM038E1	TKDLVEM038F1
1/2"	15	16	54	118	80	17	85	1843	TKDLVEM012E1	TKDLVEM012F1
3/4"	20	16	65	145	100	19	106.8	2076	TKDLVEM034E1	TKDLVEM034F1
1"	25	16	73	160	110	22.5	115	2299	TKDLVEM100E1	TKDLVEM100F1
1" 1/4	32	16	86	188.5	131	26	136.6	2880	TKDLVEM114E1	TKDLVEM114F1
1" 1/2	40	16	98	219	148	30.2	159	3242	TKDLVEM112E1	TKDLVEM112F1
2"	50	*10	122	266.5	179	36.2	194.2	4362	TKDLVEM200E1	TKDLVEM200F1

* PN16 upon request

DIMENSIONS

TKD/CE DN 10÷50 PVC-U

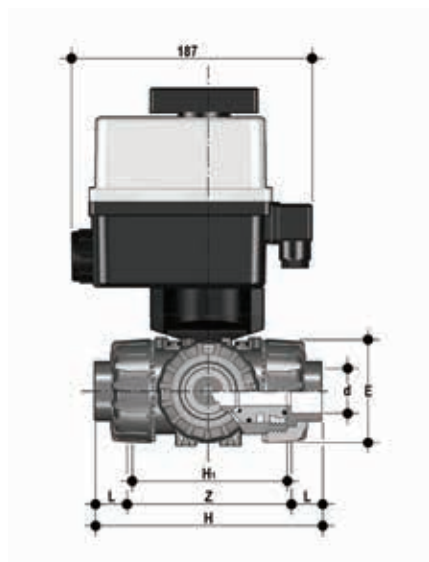


TKDLV/CE 24 V AC/DC

3 way DUAL BLOCK® ball valve with female ends, BS series with electric actuator 24 V AC/DC "T" ball, configuration 1

d	DN	PN	E	H	H ₁	L	Z	g	EPDM Code	FKM Code
3/8"	10	16	54	118	80	14.7	88.6	1843	TKDLVELO38E1	TKDLVELO38F1
1/2"	15	16	54	118	80	17	85	1843	TKDLVELO12E1	TKDLVELO12F1
3/4"	20	16	65	145	100	19	106.8	2076	TKDLVELO34E1	TKDLVELO34F1
1"	25	16	73	160	110	22.5	115	2299	TKDLVEL100E1	TKDLVEL100F1
1" 1/4	32	16	86	188.5	131	26	136.6	2880	TKDLVEL114E1	TKDLVEL114F1
1" 1/2	40	16	98	219	148	30.2	159	3242	TKDLVEL112E1	TKDLVEL112F1
2"	50	*10	122	266.5	179	36.2	194.2	4362	TKDLVEL200E1	TKDLVEL200F1

* PN16 upon request



TKDAV/CE 90-240 V AC

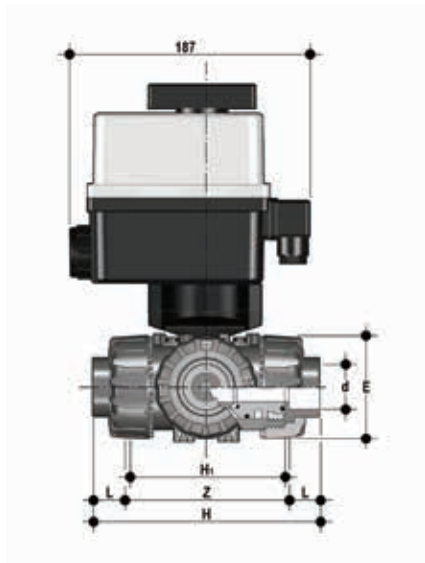
3 way DUAL BLOCK® ball valve with female ends, ASTM series with multi-volt electric actuator 90-240 V AC 50-60 Hz "T" ball, configuration 1

d	DN	PN	E	H	H ₁	L	Z	g	EPDM Code	FKM Code
3/8"	10	16	54	132.2	80	19.5	93.2	1843	TKDAVEM038E1	TKDAVEM038F1
1/2"	15	16	54	132.2	80	23	87.2	1843	TKDAVEM012E1	TKDAVEM012F1
3/4"	20	16	65	159.2	100	25.5	108.2	2076	TKDAVEM034E1	TKDAVEM034F1
1"	25	16	73	174	110	28.7	116.6	2299	TKDAVEM100E1	TKDAVEM100F1
1" 1/4	32	16	86	205	131	32	141	2880	TKDAVEM114E1	TKDAVEM114F1
1" 1/2	40	16	98	227.6	148	35	157.6	3242	TKDAVEM112E1	TKDAVEM112F1
2"	50	*10	122	267	179	38.2	190.6	4362	TKDAVEM200E1	TKDAVEM200F1

* PN16 upon request

DIMENSIONS

TKD/CE DN 10÷50 PVC-U

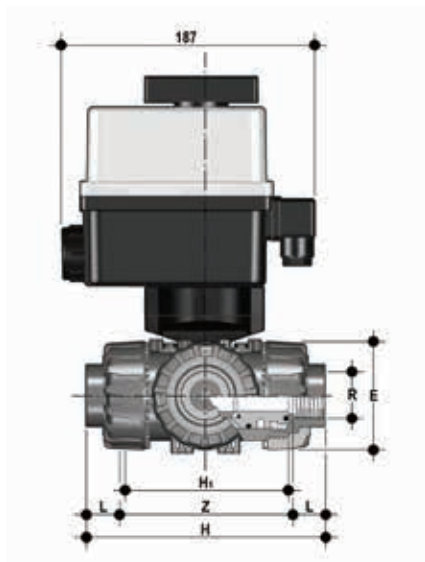


TKDAV/CE 24 V AC/DC

3 way DUAL BLOCK® ball valve with female ends, ASTM series with electric actuator 24 V AC/DC "T" ball, configuration 1

d	DN	PN	E	H	H ₁	L	Z	g	EPDM Code	FKM Code
3/8"	10	16	54	132.2	80	19.5	93.2	1843	TKDAVEL038E1	TKDAVEL038F1
1/2"	15	16	54	132.2	80	23	87.2	1843	TKDAVEL012E1	TKDAVEL012F1
3/4"	20	16	65	159.2	100	25.5	108.2	2076	TKDAVEL034E1	TKDAVEL034F1
1"	25	16	73	174	110	28.7	116.6	2299	TKDAVEL100E1	TKDAVEL100F1
1" 1/4	32	16	86	205	131	32	141	2880	TKDAVEL114E1	TKDAVEL114F1
1" 1/2	40	16	98	227.6	148	35	157.6	3242	TKDAVEL112E1	TKDAVEL112F1
2"	50	*10	122	267	179	38.2	190.6	4362	TKDAVEL200E1	TKDAVEL200F1

* PN16 upon request



TKDNV/CE 90-240 V AC

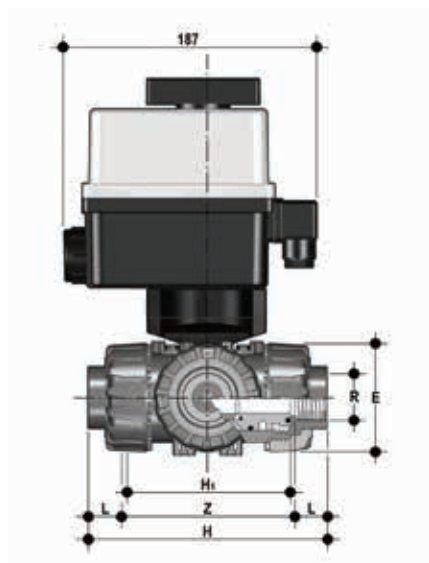
3 way DUAL BLOCK® ball valve with NPT thread female ends with multi-volt electric actuator 90-240 V AC 50-60 Hz "T" ball, configuration 1

d	DN	PN	E	H	H ₁	L	Z	g	EPDM Code	FKM Code
3/8"	10	16	54	118	80	13.7	90.6	1843	TKDNVEM038E1	TKDNVEM038F1
1/2"	15	16	54	125	80	18	90.4	1843	TKDNVEM012E1	TKDNVEM012F1
3/4"	20	16	65	146.4	100	18	110.4	2076	TKDNVEM034E1	TKDNVEM034F1
1"	25	16	73	166.6	110	22.6	121.4	2299	TKDNVEM100E1	TKDNVEM100F1
1" 1/4	32	16	86	195.8	131	25.1	145.6	2880	TKDNVEM114E1	TKDNVEM114F1
1" 1/2	40	16	98	211.4	148	24.7	162	3242	TKDNVEM112E1	TKDNVEM112F1
2"	50	*10	122	253.8	179	29.6	194.6	4362	TKDNVEM200E1	TKDNVEM200F1

* PN16 upon request

DIMENSIONS

TKD/CE DN 10÷50 PVC-U

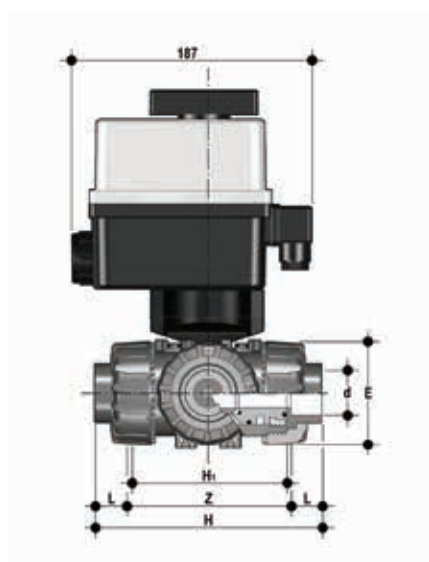


TKDNV/CE 24 V AC/DC

3 way DUAL BLOCK® ball valve with NPT thread female ends with electric actuator 24 V AC/DC "T" ball, configuration 1

R	DN	PN	E	H	H ₁	L	Z	g	EPDM Code	FKM Code
3/8"	10	16	54	118	80	13.7	90.6	1843	TKDNVELO38E1	TKDNVELO38F1
1/2"	15	16	54	125	80	18	90.4	1843	TKDNVELO12E1	TKDNVELO12F1
3/4"	20	16	65	146.4	100	18	110.4	2076	TKDNVELO34E1	TKDNVELO34F1
1"	25	16	73	166.6	110	22.6	121.4	2299	TKDNVEL100E1	TKDNVEL100F1
1" 1/4	32	16	86	195.8	131	25.1	145.6	2880	TKDNVEL114E1	TKDNVEL114F1
1" 1/2	40	16	98	211.4	148	24.7	162	3242	TKDNVEL112E1	TKDNVEL112F1
2"	50	*10	122	253.8	179	29.6	194.6	4362	TKDNVEL200E1	TKDNVEL200F1

* PN16 upon request



TKDJV/CE 90-240 V AC

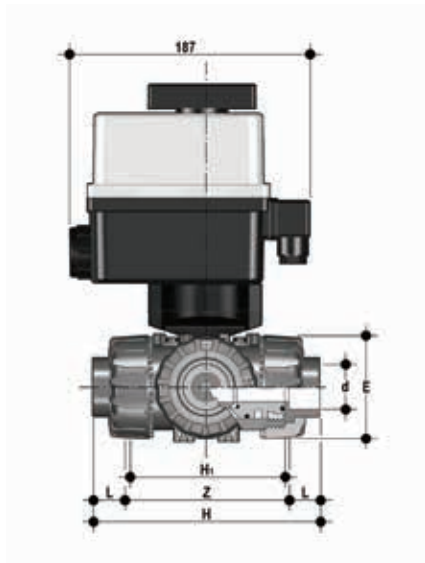
3 way DUAL BLOCK® ball valve with female ends, JIS series with multi-volt electric actuator 90-240 V AC 50-60 Hz "T" ball, configuration 1

d	DN	PN	E	H	H ₁	L	Z	g	EPDM Code	FKM Code
1/2"	15	16	54	146	80	30	86	1843	TKDJVEM012E1	TKDJVEM012F1
3/4"	20	16	65	177	100	35	107	2076	TKDJVEM034E1	TKDJVEM034F1
1"	25	16	73	196	110	40	116	2299	TKDJVEM100E1	TKDJVEM100F1
1" 1/4	32	16	86	225	131	44	137	2880	TKDJVEM114E1	TKDJVEM114F1
1" 1/2	40	16	98	267.2	148	55	157.2	3242	TKDJVEM112E1	TKDJVEM112F1
2"	50	*10	122	316	179	63	190	4362	TKDJVEM200E1	TKDJVEM200F1

* PN16 upon request

DIMENSIONS

TKD/CE DN 10÷50 PVC-U

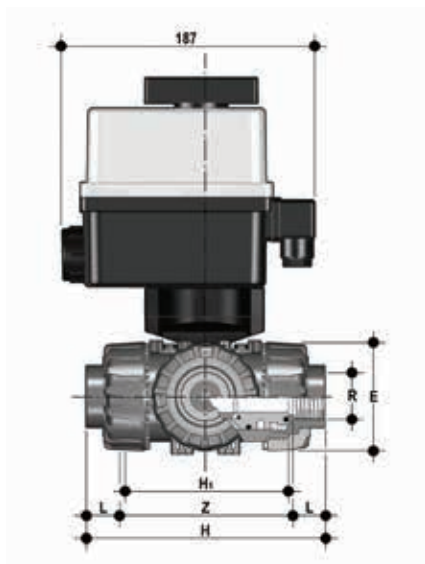


TKDJV/CE 24 V AC/DC

3 way DUAL BLOCK® ball valve with female ends, JIS series with electric actuator 24 V AC/DC "T" ball, configuration 1

d	DN	PN	E	H	H ₁	L	Z	g	EPDM Code	FKM Code
1/2"	15	16	54	146	80	30	86	1843	TKDJVEL012E1	TKDJVEL012F1
3/4"	20	16	65	177	100	35	107	2076	TKDJVEL034E1	TKDJVEL034F1
1"	25	16	73	196	110	40	116	2299	TKDJVEL100E1	TKDJVEL100F1
1" 1/4	32	16	86	225	131	44	137	2880	TKDJVEL114E1	TKDJVEL114F1
1" 1/2	40	16	98	267.2	148	55	157.2	3242	TKDJVEL112E1	TKDJVEL112F1
2"	50	*10	122	316	179	63	190	4362	TKDJVEL200E1	TKDJVEL200F1

* PN16 upon request



TKDGV/CE 90-240 V AC

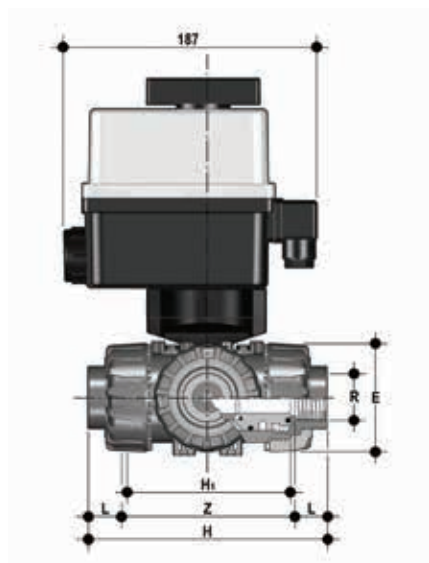
3 way DUAL BLOCK® ball valve with JIS thread female ends with multi-volt electric actuator 90-240 V AC 50-60 Hz "T" ball, configuration 1

R	DN	PN	E	H	H ₁	L	Z	g	EPDM Code	FKM Code
1/2"	15	16	54	118	80	16	86	1843	TKDGVEM012E1	TKDGVEM012F1
3/4"	20	16	65	144.8	100	19	106.8	2076	TKDGVEM034E1	TKDGVEM034F1
1"	25	16	73	160	110	22	116	2299	TKDGVEM100E1	TKDGVEM100F1
1" 1/4	32	16	86	188.6	131	25	138.6	2880	TKDGVEM114E1	TKDGVEM114F1
1" 1/2	40	16	98	219.4	148	26	167.4	3242	TKDGVEM112E1	TKDGVEM112F1
2"	50	*10	122	266.6	179	31	204.6	4362	TKDGVEM200E1	TKDGVEM200F1

* PN16 upon request

DIMENSIONS

TKD/CE DN 10÷50 PVC-U

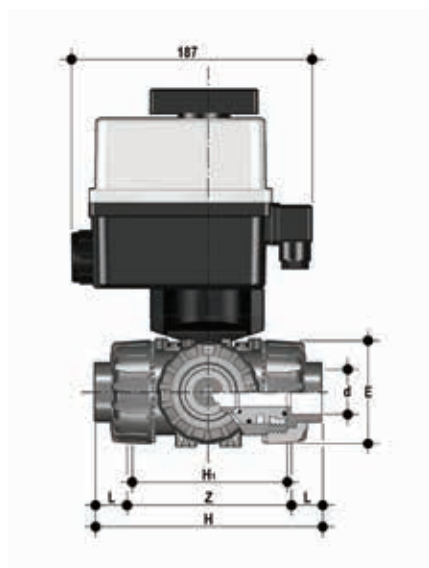


TKDGV/CE 24 V AC/DC

3 way DUAL BLOCK® ball valve with JIS thread female ends with electric actuator 24 V AC/DC "T" ball, configuration 1

R	DN	PN	E	H	H ₁	L	Z	g	EPDM Code	FKM Code
1/2"	15	16	54	118	80	16	86	1843	TKDGVEL012E1	TKDGVEL012F1
3/4"	20	16	65	144.8	100	19	106.8	2076	TKDGVEL034E1	TKDGVEL034F1
1"	25	16	73	160	110	22	116	2299	TKDGVEL100E1	TKDGVEL100F1
1" 1/4	32	16	86	188.6	131	25	138.6	2880	TKDGVEL114E1	TKDGVEL114F1
1" 1/2	40	16	98	219.4	148	26	167.4	3242	TKDGVEL112E1	TKDGVEL112F1
2"	50	*10	122	266.6	179	31	204.6	4362	TKDGVEL200E1	TKDGVEL200F1

* PN16 upon request



LKDIV/CE 90-240 V AC

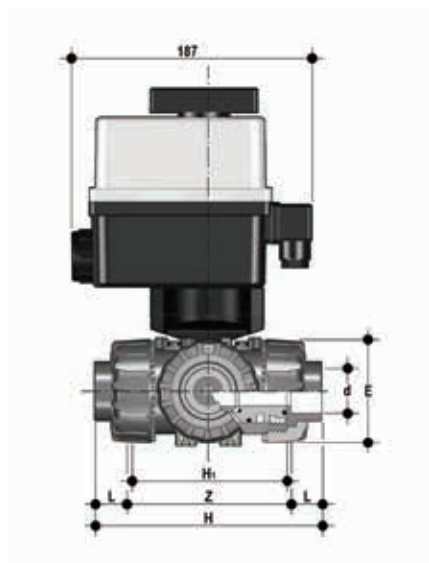
3 way DUAL BLOCK® valve with female metric ends with multi-volt electric actuator 90-240 V AC 50-60 Hz "L" ball

d	DN	PN	E	H	H ₁	L	Z	g	EPDM Code	FKM Code
16	10	16	54	118	80	14	90	1843	LKDIVEM016E1	LKDIVEM016F1
20	15	16	54	118	80	16	86	1843	LKDIVEM020E1	LKDIVEM020F1
25	20	16	65	145	100	19	107	2076	LKDIVEM025E1	LKDIVEM025F1
32	25	16	73	160	110	22	116	2299	LKDIVEM032E1	LKDIVEM032F1
40	32	16	86	188.5	131	26	136.5	2880	LKDIVEM040E1	LKDIVEM040F1
50	40	16	98	219	148	31	157	3242	LKDIVEM050E1	LKDIVEM050F1
63	50	*10	122	266.5	179	38	190.5	4362	LKDIVEM063E1	LKDIVEM063F1

* PN16 upon request

DIMENSIONS

TKD/CE DN 10÷50 PVC-U

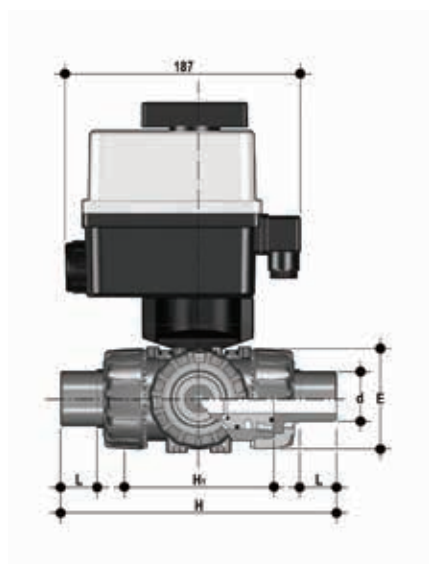


LKDIV/CE 24 V AC/DC

3 way DUAL BLOCK® valve with female metric ends with electric actuator 24 V AC/DC "L" ball

d	DN	PN	E	H	H ₁	L	Z	g	EPDM Code	FKM Code
16	10	16	54	118	80	14	90	1843	LKDIVEL016E1	LKDIVEL016F1
20	15	16	54	118	80	16	86	1843	LKDIVEL020E1	LKDIVEL020F1
25	20	16	65	145	100	19	107	2076	LKDIVEL025E1	LKDIVEL025F1
32	25	16	73	160	110	22	116	2299	LKDIVEL032E1	LKDIVEL032F1
40	32	16	86	188.5	131	26	136.5	2880	LKDIVEL040E1	LKDIVEL040F1
50	40	16	98	219	148	31	157	3242	LKDIVEL050E1	LKDIVEL050F1
63	50	*10	122	266.5	179	38	190.5	4362	LKDIVEL063E1	LKDIVEL063F1

* PN16 upon request



LKDDV/CE 90-240 V AC

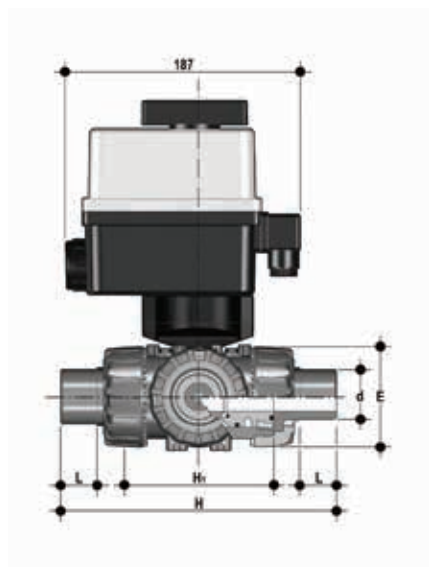
3 way DUAL BLOCK® ball valve with metric male ends with multi-volt electric actuator 90-240 V AC 50-60 Hz. "L" ball

d	DN	PN	E	H	H ₁	L	Z	g	EPDM Code	FKM Code
20	15	16	54	140	80	16	1843	LKDDVEM020E1	LKDDVEM020F1	
25	20	16	65	175	100	19	2076	LKDDVEM025E1	LKDDVEM025F1	
32	25	16	73	188	110	22	2299	LKDDVEM032E1	LKDDVEM032F1	
40	32	16	86	220	131	26	2880	LKDDVEM040E1	LKDDVEM040F1	
50	40	16	98	251	148	31	3242	LKDDVEM050E1	LKDDVEM050F1	
63	50	*10	122	294	179	38	4362	LKDDVEM063E1	LKDDVEM063F1	

* PN16 upon request

DIMENSIONS

TKD/CE DN 10÷50 PVC-U

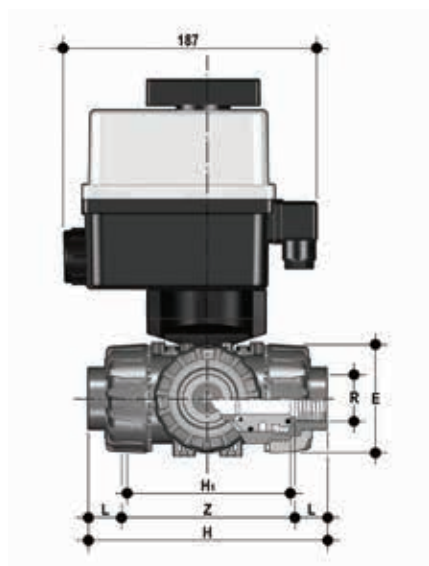


LKDDV/CE 24 V AC/DC

3 way DUAL BLOCK® ball valve with metric male ends with electric actuator 24 V AC/DC. "L" ball

d	DN	PN	E	H	H ₁	L	g	EPDM Code	FKM Code
20	15	16	54	140	80	16	1843	LKDDVEL020E1	LKDDVEL020F1
25	20	16	65	175	100	19	2076	LKDDVEL025E1	LKDDVEL025F1
32	25	16	73	188	110	22	2299	LKDDVEL032E1	LKDDVEL032F1
40	32	16	86	220	131	26	2880	LKDDVEL040E1	LKDDVEL040F1
50	40	16	98	251	148	31	3242	LKDDVEL050E1	LKDDVEL050F1
63	50	*10	122	294	179	38	4362	LKDDVEL063E1	LKDDVEL063F1

* PN16 upon request



LKDFV/CE 90-240 V AC

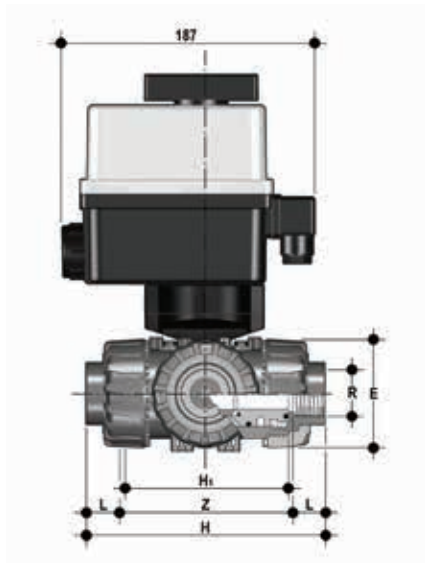
3 way DUAL BLOCK® ball valve with gas cylinder thread female ends with multi-volt electric actuator 90-240 V AC 50-60 Hz "L" ball

R	DN	PN	E	H	H ₁	L	Z	g	EPDM Code	FKM Code
3/8"	10	16	54	118	80	11.4	95	1843	LKDFVEM038E1	LKDFVEM038F1
1/2"	15	16	54	125	80	15	95	1843	LKDFVEM012E1	LKDFVEM012F1
3/4"	20	16	65	146	100	16.3	114	2076	LKDFVEM034E1	LKDFVEM034F1
1"	25	16	73	166	110	19.1	129	2299	LKDFVEM100E1	LKDFVEM100F1
1" 1/4	32	16	86	195.5	131	21.4	151	2880	LKDFVEM114E1	LKDFVEM114F1
1" 1/2	40	16	98	211	148	21.4	166	3242	LKDFVEM112E1	LKDFVEM112F1
2"	50	*10	122	253.5	179	25.7	199	4362	LKDFVEM200E1	LKDFVEM200F1

* PN16 upon request

DIMENSIONS

TKD/CE DN 10÷50 PVC-U

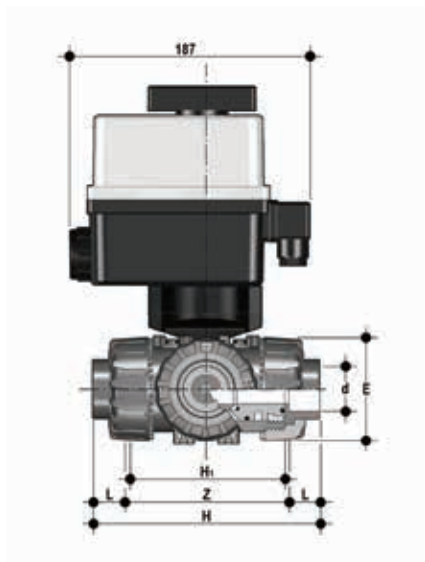


LKDFV/CE 24 V AC/DC

3 way DUAL BLOCK® ball valve with gas cylinder thread female ends with electric actuator 24 V AC/DC "L" ball

R	DN	PN	E	H	H ₁	L	Z	g	EPDM Code	FKM Code
3/8"	10	16	54	118	80	11.4	95	1843	LKDFVEL038E1	LKDFVEL038F1
1/2"	15	16	54	125	80	15	95	1843	LKDFVEL012E1	LKDFVEL012F1
3/4"	20	16	65	146	100	16.3	114	2076	LKDFVEL034E1	LKDFVEL034F1
1"	25	16	73	166	110	19.1	129	2299	LKDFVEL100E1	LKDFVEL100F1
1" 1/4	32	16	86	195.5	131	21.4	151	2880	LKDFVEL114E1	LKDFVEL114F1
1" 1/2	40	16	98	211	148	21.4	166	3242	LKDFVEL112E1	LKDFVEL112F1
2"	50	*10	122	253.5	179	25.7	199	4362	LKDFVEL200E1	LKDFVEL200F1

* PN16 upon request



LKDLV/CE 90-240 V AC

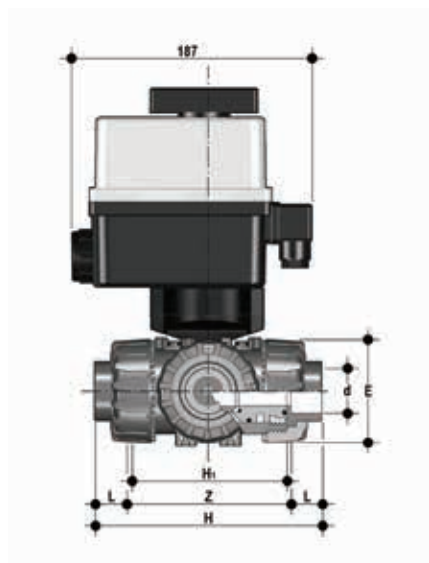
3 way DUAL BLOCK® ball valve with female ends, BS series with multi-volt electric actuator 90-240 V AC 50-60 Hz "L" ball

d	DN	PN	E	H	H ₁	L	Z	g	LKDLV EPDM	FKM Code
3/8"	10	16	54	118	80	14.7	88.6	1843	LKDLVEM038E1	LKDLVEM038F1
1/2"	15	16	54	118	80	17	85	1843	LKDLVEM012E1	LKDLVEM012F1
3/4"	20	16	65	145	100	19	106.8	2076	LKDLVEM034E1	LKDLVEM034F1
1"	25	16	73	160	110	22.5	115	2299	LKDLVEM100E1	LKDLVEM100F1
1" 1/4	32	16	86	188.5	131	26	136.6	2880	LKDLVEM114E1	LKDLVEM114F1
1" 1/2	40	16	98	219	148	30.2	159	3242	LKDLVEM112E1	LKDLVEM112F1
2"	50	*10	122	266.5	179	36.2	194.2	4362	LKDLVEM200E1	LKDLVEM200F1

* PN16 upon request

DIMENSIONS

TKD/CE DN 10÷50 PVC-U

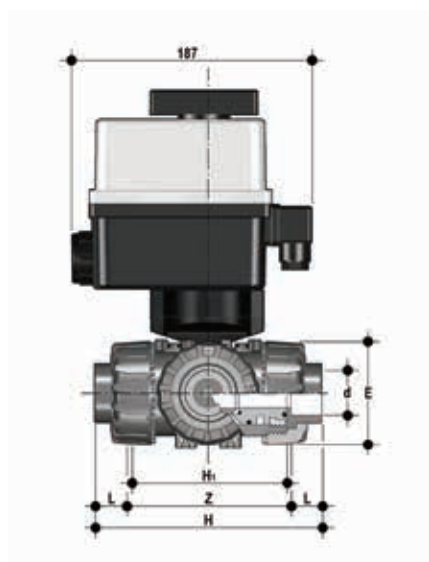


LKDLV/CE 24 V AC/DC

3 way DUAL BLOCK® ball valve with female ends, BS series with electric actuator 24 V AC/DC "L" ball

d	DN	PN	E	H	H ₁	L	Z	g	EPDM Code	FKM Code
3/8"	10	16	54	118	80	14.7	88.6	1843	LKDLVEL038E1	LKDLVEL038F1
1/2"	15	16	54	118	80	17	85	1843	LKDLVEL012E1	LKDLVEL012F1
3/4"	20	16	65	145	100	19	106.8	2076	LKDLVEL034E1	LKDLVEL034F1
1"	25	16	73	160	110	22.5	115	2299	LKDLVEL100E1	LKDLVEL100F1
1" 1/4	32	16	86	188.5	131	26	136.6	2880	LKDLVEL114E1	LKDLVEL114F1
1" 1/2	40	16	98	219	148	30.2	159	3242	LKDLVEL112E1	LKDLVEL112F1
2"	50	*10	122	266.5	179	36.2	194.2	4362	LKDLVEL200E1	LKDLVEL200F1

* PN16 upon request



LKDAV/CE 90-240 V AC

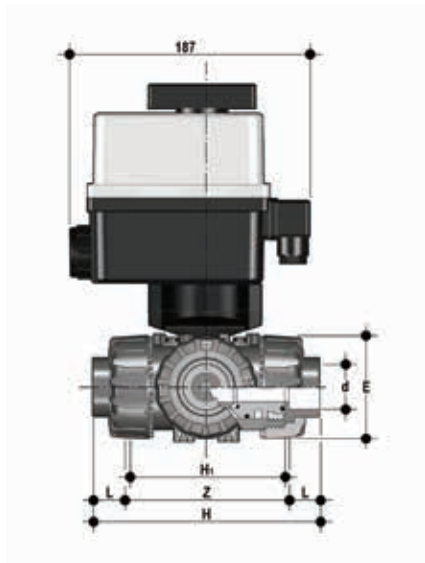
3 way DUAL BLOCK® ball valve with female ends, ASTM series with multi-volt electric actuator 90-240 V AC 50-60 Hz "L" ball

d	DN	PN	E	H	H ₁	L	Z	g	EPDM Code	FKM Code
3/8"	10	16	54	132.2	80	19.5	93.2	1843	LKDAVEM038E1	LKDAVEM038F1
1/2"	15	16	54	132.2	80	23	87.2	1843	LKDAVEM012E1	LKDAVEM012F1
3/4"	20	16	65	159.2	100	25.5	108.2	2076	LKDAVEM034E1	LKDAVEM034F1
1"	25	16	73	174	110	28.7	116.6	2299	LKDAVEM100E1	LKDAVEM100F1
1" 1/4	32	16	86	205	131	32	141	2880	LKDAVEM114E1	LKDAVEM114F1
1" 1/2	40	16	98	227.6	148	35	157.6	3242	LKDAVEM112E1	LKDAVEM112F1
2"	50	*10	122	267	179	38.2	190.6	4362	LKDAVEM200E1	LKDAVEM200F1

* PN16 upon request

DIMENSIONS

TKD/CE DN 10÷50 PVC-U

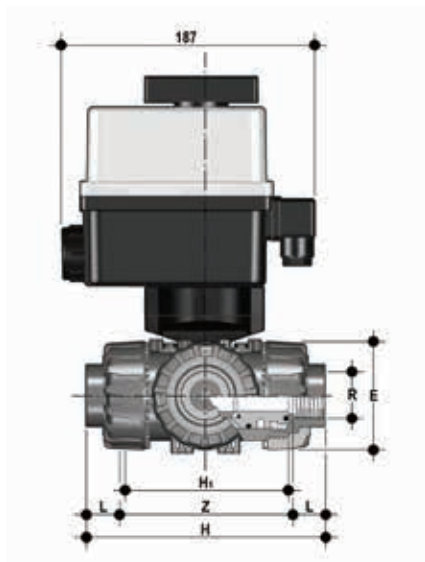


LKDAV/CE 24 V AC/DC

3 way DUAL BLOCK® ball valve with female ends, ASTM series with electric actuator 24 V AC/DC "L" ball

d	DN	PN	E	H	H ₁	L	Z	g	EPDM Code	FKM Code
3/8"	10	16	54	132.2	80	19.5	93.2	1843	LKDAVEL038E1	LKDAVEL038F1
1/2"	15	16	54	132.2	80	23	87.2	1843	LKDAVEL012E1	LKDAVEL012F1
3/4"	20	16	65	159.2	100	25.5	108.2	2076	LKDAVEL034E1	LKDAVEL034F1
1"	25	16	73	174	110	28.7	116.6	2299	LKDAVEL100E1	LKDAVEL100F1
1" 1/4	32	16	86	205	131	32	141	2880	LKDAVEL114E1	LKDAVEL114F1
1" 1/2	40	16	98	227.6	148	35	157.6	3242	LKDAVEL112E1	LKDAVEL112F1
2"	50	*10	122	267	179	38.2	190.6	4362	LKDAVEL200E1	LKDAVEL200F1

* PN16 upon request



LKDNV/CE 90-240 V AC

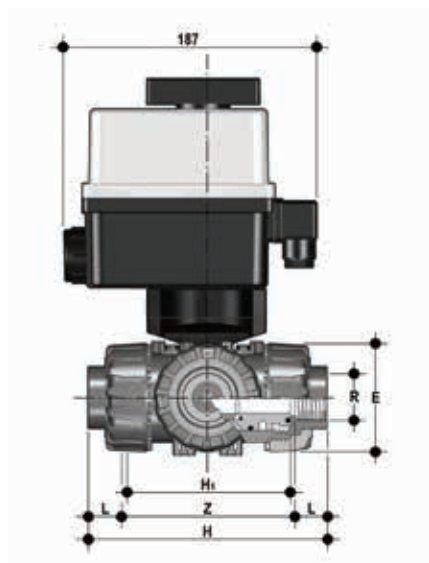
3 way DUAL BLOCK® ball valve with NPT thread female ends with multi-volt electric actuator 90-240 V AC 50-60 Hz "L" ball

R	DN	PN	E	H	H ₁	L	Z	g	EPDM Code	FKM Code
3/8"	10	16	54	118	80	13.7	90.6	1843	LKDNVEM038E1	LKDNVEM038F1
1/2"	15	16	54	125	80	18	90.4	1843	LKDNVEM012E1	LKDNVEM012F1
3/4"	20	16	65	146.4	100	18	110.4	2076	LKDNVEM034E1	LKDNVEM034F1
1"	25	16	73	166.6	110	22.6	121.4	2299	LKDNVEM100E1	LKDNVEM100F1
1" 1/4	32	16	86	195.8	131	25.1	145.6	2880	LKDNVEM114E1	LKDNVEM114F1
1" 1/2	40	16	98	211.4	148	24.7	162	3242	LKDNVEM112E1	LKDNVEM112F1
2"	50	*10	122	253.8	179	29.6	194.6	4362	LKDNVEM200E1	LKDNVEM200F1

* PN16 upon request

DIMENSIONS

TKD/CE DN 10÷50 PVC-U

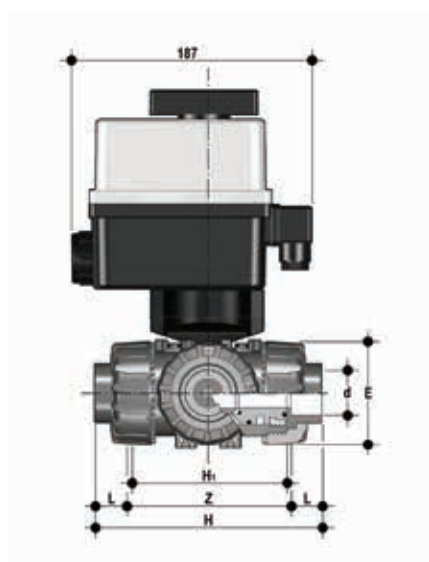


LKDNV/CE 24 V AC/DC

3 way DUAL BLOCK® ball valve with NPT thread female ends with electric actuator 24 V AC/DC "L" ball

R	DN	PN	E	H	H ₁	L	Z	g	EPDM Code	FKM Code
3/8"	10	16	54	118	80	13.7	90.6	1843	LKDNVELO38E1	LKDNVELO38F1
1/2"	15	16	54	125	80	18	90.4	1843	LKDNVELO12E1	LKDNVELO12F1
3/4"	20	16	65	146.4	100	18	110.4	2076	LKDNVELO34E1	LKDNVELO34F1
1"	25	16	73	166.6	110	22.6	121.4	2299	LKDNVEL100E1	LKDNVEL100F1
1" 1/4	32	16	86	195.8	131	25.1	145.6	2880	LKDNVEL114E1	LKDNVEL114F1
1" 1/2	40	16	98	211.4	148	24.7	162	3242	LKDNVEL112E1	LKDNVEL112F1
2"	50	*10	122	253.8	179	29.6	194.6	4362	LKDNVEL200E1	LKDNVEL200F1

* PN16 upon request



LKDJV/CE 90-240 V AC

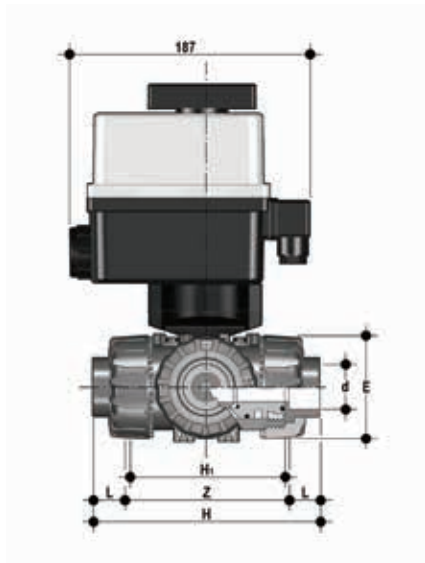
3 way DUAL BLOCK® ball valve with female ends, JIS series with multi-volt electric actuator 90-240 V AC 50-60 Hz "L" ball

d	DN	PN	E	H	H ₁	L	Z	g	EPDM Code	FKM Code
1/2"	15	16	54	146	80	30	86	1843	LKDJVEM012E1	LKDJVEM012F1
3/4"	20	16	65	177	100	35	107	2076	LKDJVEM034E1	LKDJVEM034F1
1"	25	16	73	196	110	40	116	2299	LKDJVEM100E1	LKDJVEM100F1
1" 1/4	32	16	86	225	131	44	137	2880	LKDJVEM114E1	LKDJVEM114F1
1" 1/2	40	16	98	267.2	148	55	157.2	3242	LKDJVEM112E1	LKDJVEM112F1
2"	50	*10	122	316	179	63	190	4362	LKDJVEM200E1	LKDJVEM200F1

* PN16 upon request

DIMENSIONS

TKD/CE DN 10÷50 PVC-U

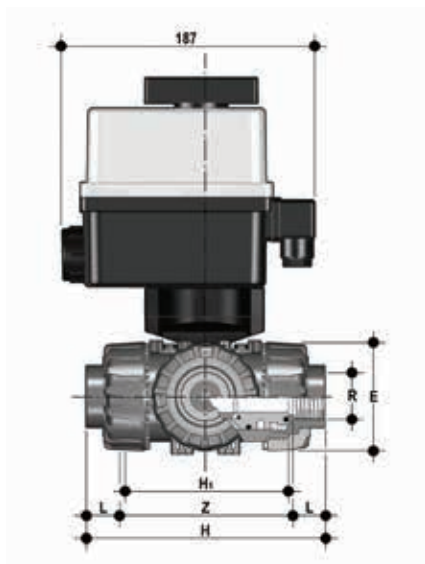


LKDJV/CE 24 V AC/DC

3 way DUAL BLOCK® ball valve with female ends, JIS series with electric actuator 24 V AC/DC "L" ball

d	DN	PN	E	H	H ₁	L	Z	g	EPDM Code	FKM Code
1/2"	15	16	54	146	80	30	86	1843	LKDJVEL012E1	LKDJVEL012F1
3/4"	20	16	65	177	100	35	107	2076	LKDJVEL034E1	LKDJVEL034F1
1"	25	16	73	196	110	40	116	2299	LKDJVEL100E1	LKDJVEL100F1
1" 1/4	32	16	86	225	131	44	137	2880	LKDJVEL114E1	LKDJVEL114F1
1" 1/2	40	16	98	267.2	148	55	157.2	3242	LKDJVEL112E1	LKDJVEL112F1
2"	50	*10	122	316	179	63	190	4362	LKDJVEL200E1	LKDJVEL200F1

* PN16 upon request



LKDG/CE 90-240 V AC

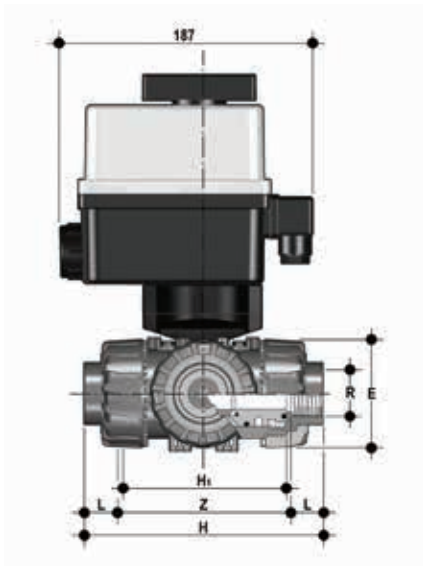
3 way DUAL BLOCK® ball valve with JIS thread female ends with multi-volt electric actuator 90-240 V AC 50-60 Hz "L" ball

R	DN	PN	E	H	H ₁	L	Z	g	EPDM Code	FKM Code
1/2"	15	16	54	118	80	16	86	1843	LKDGVEM012E1	LKDGVEM012F1
3/4"	20	16	65	144.8	100	19	106.8	2076	LKDGVEM034E1	LKDGVEM034F1
1"	25	16	73	160	110	22	116	2299	LKDGVEM100E1	LKDGVEM100F1
1" 1/4	32	16	86	188.6	131	25	138.6	2880	LKDGVEM114E1	LKDGVEM114F1
1" 1/2	40	16	98	219.4	148	26	167.4	3242	LKDGVEM112E1	LKDGVEM112F1
2"	50	*10	122	266.6	179	31	204.6	4362	LKDGVEM200E1	LKDGVEM200F1

* PN16 upon request

DIMENSIONS

TKD/CE DN 10÷50 PVC-U



LKDG/CE 24 V AC/DC

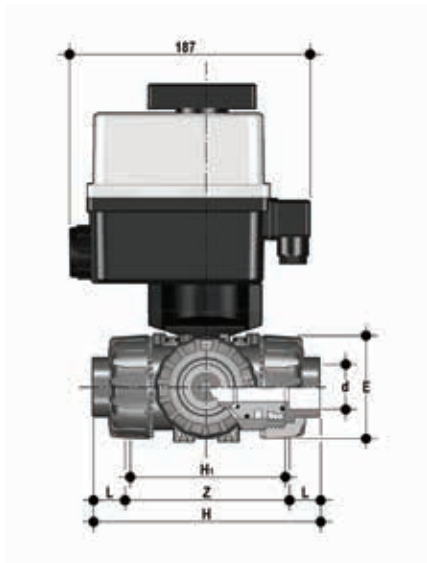
3 way DUAL BLOCK® ball valve with JIS thread female ends with electric actuator 24 V AC/DC "L" ball

R	DN	PN	E	H	H ₁	L	Z	g	EPDM Code	FKM Code
1/2"	15	16	54	118	80	16	86	1843	LKDGVEL012E1	LKDGVEL012F1
3/4"	20	16	65	144.8	100	19	106.8	2076	LKDGVEL034E1	LKDGVEL034F1
1"	25	16	73	160	110	22	116	2299	LKDGVEL100E1	LKDGVEL100F1
1" 1/4	32	16	86	188.6	131	25	138.6	2880	LKDGVEL114E1	LKDGVEL114F1
1" 1/2	40	16	98	219.4	148	26	167.4	3242	LKDGVEL112E1	LKDGVEL112F1
2"	50	*10	122	266.6	179	31	204.6	4362	LKDGVEL200E1	LKDGVEL200F1

* PN16 upon request

DIMENSIONS

TKD/CE DN 10÷50 PVC-C

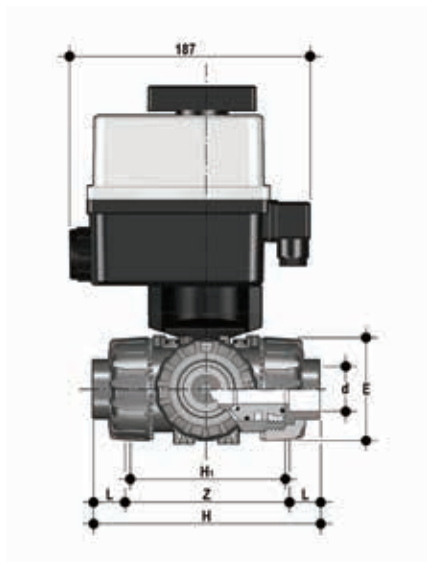


TKDIC/CE 90-240 V AC

3 way DUAL BLOCK® ball valve with female ends for solvent welding, metric series with multi-volt electric actuator 90-240 V AC 50-60 Hz "T" ball, configuration 1

d	DN	PN	E	H	H ₁	L	Z	g	EPDM Code	FKM Code
16	10	16	54	118	80	14	90	1872	TKDICEM016E1	TKDICEM016F1
20	15	16	54	118	80	16	86	1872	TKDICEM020E1	TKDICEM020F1
25	20	16	65	145	100	19	107	2126	TKDICEM025E1	TKDICEM025F1
32	25	16	73	160	110	22	116	2372	TKDICEM032E1	TKDICEM032F1
40	32	16	86	188.5	131	26	136.5	2992	TKDICEM040E1	TKDICEM040F1
50	40	16	98	219	148	31	157	3392	TKDICEM050E1	TKDICEM050F1
63	50	*10	122	266.5	179	38	190.5	4622	TKDICEM063E1	TKDICEM063F1

* PN16 upon request



TKDIC/CE 24 V AC/DC

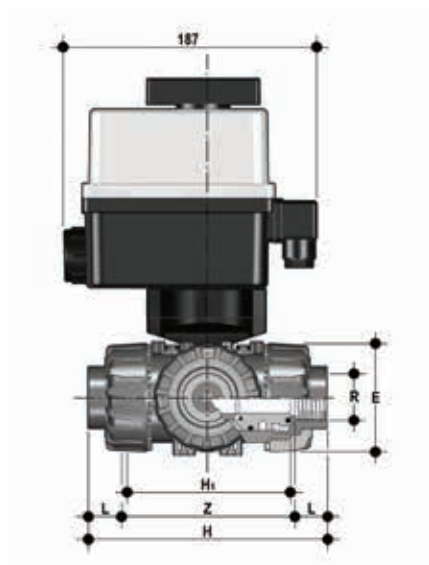
3 way DUAL BLOCK® ball valve with female ends for solvent welding, metric series with electric actuator 24 V AC/DC "T" ball, configuration 1

d	DN	PN	E	H	H ₁	L	Z	g	EPDM Code	FKM Code
16	10	16	54	118	80	14	90	1872	TKDICELO16E1	TKDICELO16F1
20	15	16	54	118	80	16	86	1872	TKDICELO20E1	TKDICELO20F1
25	20	16	65	145	100	19	107	2126	TKDICELO25E1	TKDICELO25F1
32	25	16	73	160	110	22	116	2372	TKDICELO32E1	TKDICELO32F1
40	32	16	86	188.5	131	26	136.5	2992	TKDICELO40E1	TKDICELO40F1
50	40	16	98	219	148	31	157	3392	TKDICELO50E1	TKDICELO50F1
63	50	*10	122	266.5	179	38	190.5	4622	TKDICELO63E1	TKDICELO63F1

* PN16 upon request

DIMENSIONS

TKD/CE DN 10÷50 PVC-C

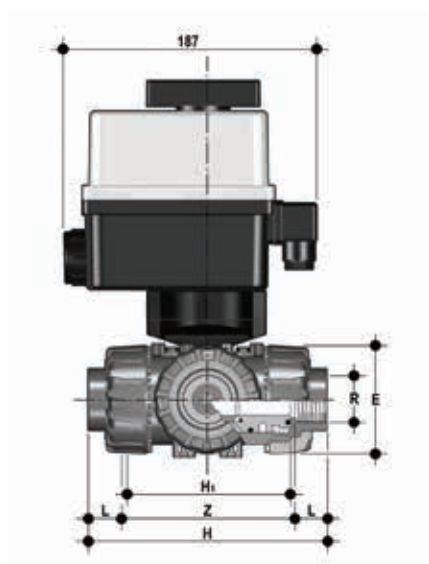


TKDNC/CE 90-240 V AC

3 way DUAL BLOCK® ball valve with NPT thread female ends with multi-volt electric actuator 90-240 V AC 50-60 Hz "T" ball, configuration 1

d	DN	PN	E	H	H ₁	L	Z	g	EPDM Code	FKM Code
3/8"	10	16	54	118	80	13.7	90.6	1872	TKDNCCEM038E1	TKDNCCEM038F1
1/2"	15	16	54	125	80	18	90.4	1872	TKDNCCEM012E1	TKDNCCEM012F1
3/4"	20	16	65	146.4	100	18	110.4	2126	TKDNCCEM034E1	TKDNCCEM034F1
1"	25	16	73	166.6	110	22.6	121.4	2372	TKDNCCEM100E1	TKDNCCEM100F1
1" 1/4	32	16	86	195.8	131	25.1	145.6	2992	TKDNCCEM114E1	TKDNCCEM114F1
1" 1/2	40	16	98	211.4	148	24.7	162	3392	TKDNCCEM112E1	TKDNCCEM112F1
2"	50	*10	122	253.8	179	29.6	194.6	4622	TKDNCCEM200E1	TKDNCCEM200F1

* PN16 upon request



TKDNC/CE 24 V AC/DC

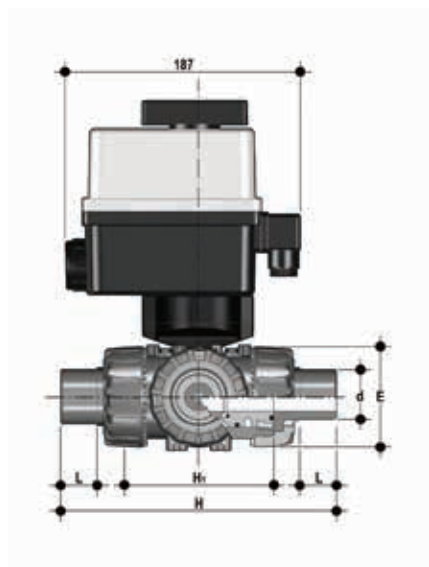
3 way DUAL BLOCK® ball valve with NPT thread female ends with electric actuator 24 V AC/DC "T" ball, configuration 1

R	DN	PN	E	H	H ₁	L	Z	g	EPDM Code	FKM Code
3/8"	10	16	54	118	80	13.7	90.6	1872	TKDNCCEL038E1	TKDNCCEL038F1
1/2"	15	16	54	125	80	18	90.4	1872	TKDNCCEL012E1	TKDNCCEL012F1
3/4"	20	16	65	146.4	100	18	110.4	2126	TKDNCCEL034E1	TKDNCCEL034F1
1"	25	16	73	166.6	110	22.6	121.4	2372	TKDNCCEL100E1	TKDNCCEL100F1
1" 1/4	32	16	86	195.8	131	25.1	145.6	2992	TKDNCCEL114E1	TKDNCCEL114F1
1" 1/2	40	16	98	211.4	148	24.7	162	3392	TKDNCCEL112E1	TKDNCCEL112F1
2"	50	*10	122	253.8	179	29.6	194.6	4622	TKDNCCEL200E1	TKDNCCEL200F1

* PN16 upon request

DIMENSIONS

TKD/CE DN 10÷50 PVC-C

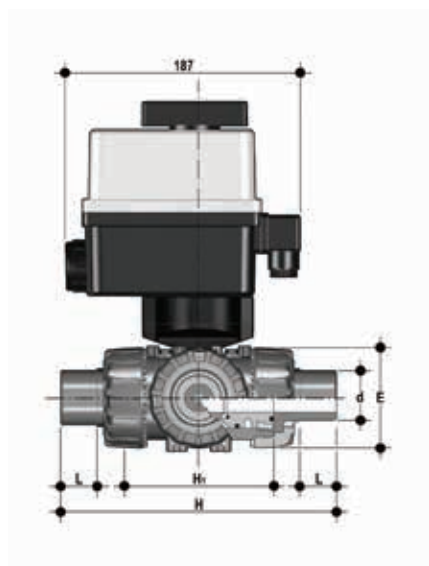


TKDDC/CE 90-240 V AC

3 way DUAL BLOCK® ball valve with metric male ends with multi-volt electric actuator 90-240 V AC 50-60 Hz. "T" ball, configuration 1

d	DN	PN	E	H	H ₁	L	g	EPDM Code	FKM Code
20	15	16	54	140	80	16	1872	TKDDCEM020E1	TKDDCEM020F1
25	20	16	65	175	100	19	2126	TKDDCEM025E1	TKDDCEM025F1
32	25	16	73	188	110	22	2372	TKDDCEM032E1	TKDDCEM032F1
40	32	16	86	220	131	26	2992	TKDDCEM040E1	TKDDCEM040F1
50	40	16	98	251	148	31	3392	TKDDCEM050E1	TKDDCEM050F1
63	50	*10	122	294	179	38	4622	TKDDCEM063E1	TKDDCEM063F1

* PN16 upon request



TKDDC/CE 24 V AC/DC

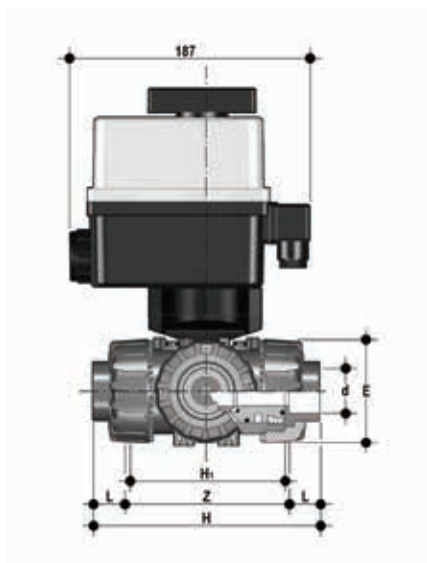
3 way DUAL BLOCK® ball valve with metric male ends with electric actuator 24 V AC/DC. "T" ball, configuration 1

d	DN	PN	E	H	H ₁	L	g	EPDM Code	FKM Code
20	15	16	54	140	80	16	1872	TKDDCEL020E1	TKDDCEL020F1
25	20	16	65	175	100	19	2126	TKDDCEL025E1	TKDDCEL025F1
32	25	16	73	188	110	22	2372	TKDDCEL032E1	TKDDCEL032F1
40	32	16	86	220	131	26	2992	TKDDCEL040E1	TKDDCEL040F1
50	40	16	98	251	148	31	3392	TKDDCEL050E1	TKDDCEL050F1
63	50	*10	122	294	179	38	4622	TKDDCEL063E1	TKDDCEL063F1

* PN16 upon request

DIMENSIONS

TKD/CE DN 10÷50 PVC-C

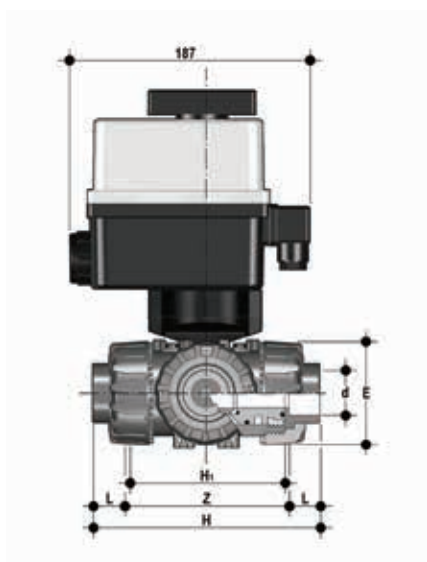


TKDAC/CE 90-240 V AC

3 way DUAL BLOCK® ball valve with female ends for solvent welding, ASTM series with multi-volt electric actuator 90-240 V AC 50-60 Hz. "T" ball, configuration 1

d	DN	PN	E	H	H ₁	L	Z	g	EPDM Code	FKM Code
3/8"	10	16	54	132.2	80	19.5	93.2	1872	TKDACEM038E1	TKDACEM038F1
1/2"	15	16	54	132.2	80	23	87.2	1872	TKDACEM012E1	TKDACEM012F1
3/4"	20	16	65	159.2	100	25.5	108.2	2126	TKDACEM034E1	TKDACEM034F1
1"	25	16	73	174	110	28.7	116.6	2372	TKDACEM100E1	TKDACEM100F1
1" 1/4	32	16	86	205	131	32	141	2992	TKDACEM114E1	TKDACEM114F1
1" 1/2	40	16	98	227.6	148	35	157.6	3392	TKDACEM112E1	TKDACEM112F1
2"	50	*10	122	267	179	38.2	190.6	4622	TKDACEM200E1	TKDACEM200F1

* PN16 upon request



TKDAC/CE 24 V AC/DC

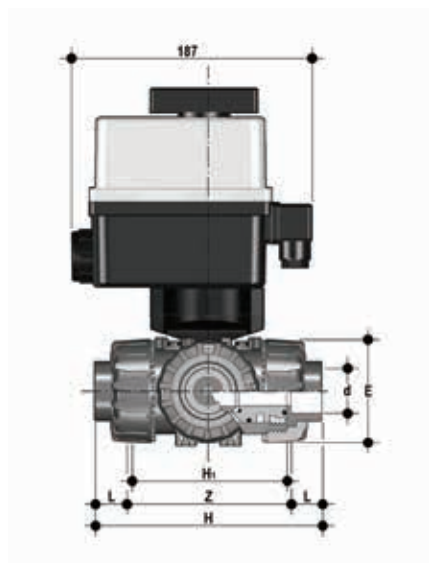
3 way DUAL BLOCK® ball valve with female ends for solvent welding, ASTM series with electric actuator 24 V AC/DC. "T" ball, configuration 1

d	DN	PN	E	H	H ₁	L	Z	g	EPDM Code	FKM Code
3/8"	10	16	54	132.2	80	19.5	93.2	1872	TKDACELO38E1	TKDACELO38F1
1/2"	15	16	54	132.2	80	23	87.2	1872	TKDACELO12E1	TKDACELO12F1
3/4"	20	16	65	159.2	100	25.5	108.2	2126	TKDACELO34E1	TKDACELO34F1
1"	25	16	73	174	110	28.7	116.6	2372	TKDACELO100E1	TKDACELO100F1
1" 1/4	32	16	86	205	131	32	141	2992	TKDACELO114E1	TKDACELO114F1
1" 1/2	40	16	98	227.6	148	35	157.6	3392	TKDACELO112E1	TKDACELO112F1
2"	50	*10	122	267	179	38.2	190.6	4622	TKDACELO200E1	TKDACELO200F1

* PN16 upon request

DIMENSIONS

TKD/CE DN 10÷50 PVC-C

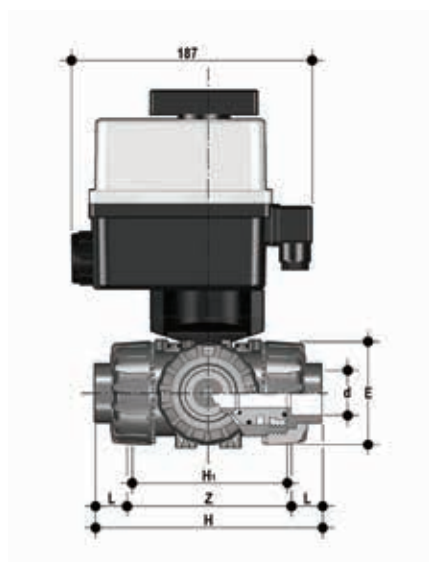


LKDIC/CE 90-240 V AC

3 way DUAL BLOCK® ball valve with female ends for solvent welding, metric series with multi-volt electric actuator 90-240 V AC 50-60 Hz "L" ball

d	DN	PN	E	H	H ₁	L	Z	g	EPDM Code	FKM Code
16	10	16	54	118	80	14	90	1872	LKDICEM016E1	LKDICEM016F1
20	15	16	54	118	80	16	86	1872	LKDICEM020E1	LKDICEM020F1
25	20	16	65	145	100	19	107	2126	LKDICEM025E1	LKDICEM025F1
32	25	16	73	160	110	22	116	2372	LKDICEM032E1	LKDICEM032F1
40	32	16	86	188.5	131	26	136.5	2992	LKDICEM040E1	LKDICEM040F1
50	40	16	98	219	148	31	157	3392	LKDICEM050E1	LKDICEM050F1
63	50	*10	122	266.5	179	38	190.5	4622	LKDICEM063E1	LKDICEM063F1

* PN16 upon request



LKDIC/CE 24 V AC/DC

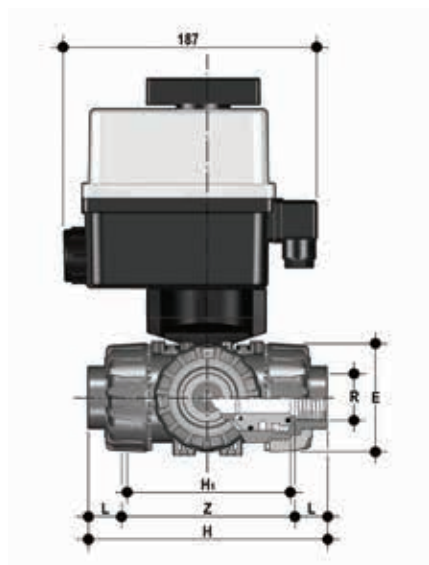
3 way DUAL BLOCK® ball valve with female ends for solvent welding, metric series with electric actuator 24 V AC/DC "L" ball

d	DN	PN	E	H	H ₁	L	Z	g	EPDM Code	FKM Code
16	10	16	54	118	80	14	90	1872	LKDICEL016E1	LKDICEL016F1
20	15	16	54	118	80	16	86	1872	LKDICEL020E1	LKDICEL020F1
25	20	16	65	145	100	19	107	2126	LKDICEL025E1	LKDICEL025F1
32	25	16	73	160	110	22	116	2372	LKDICEL032E1	LKDICEL032F1
40	32	16	86	188.5	131	26	136.5	2992	LKDICEL040E1	LKDICEL040F1
50	40	16	98	219	148	31	157	3392	LKDICEL050E1	LKDICEL050F1
63	50	*10	122	266.5	179	38	190.5	4622	LKDICEL063E1	LKDICEL063F1

* PN16 upon request

DIMENSIONS

TKD/CE DN 10÷50 PVC-C

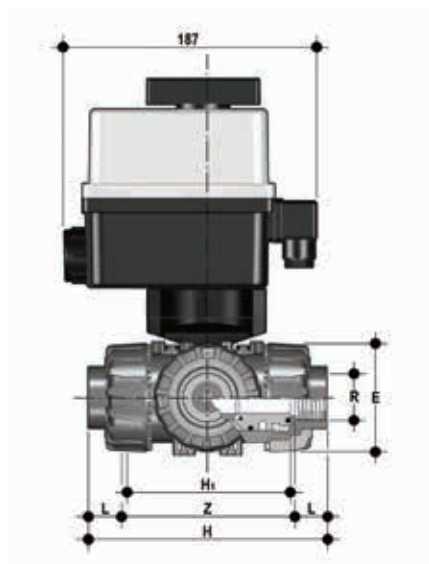


LKDNC/CE 90-240 V AC

3 way DUAL BLOCK® ball valve with NPT thread female ends with multi-volt electric actuator 90-240 V AC 50-60 Hz "L" ball

R	DN	PN	E	H	H ₁	L	Z	g	EPDM Code	FKM Code
3/8"	10	16	54	118	80	13.7	90.6	1872	LKDNCCEM038E1	LKDNCCEM038F1
1/2"	15	16	54	125	80	18	90.4	1872	LKDNCCEM012E1	LKDNCCEM012F1
3/4"	20	16	65	146.4	100	18	110.4	2126	LKDNCCEM034E1	LKDNCCEM034F1
1"	25	16	73	166.6	110	22.6	121.4	2372	LKDNCCEM100E1	LKDNCCEM100F1
1" 1/4	32	16	86	195.8	131	25.1	145.6	2992	LKDNCCEM114E1	LKDNCCEM114F1
1" 1/2	40	16	98	211.4	148	24.7	162	3392	LKDNCCEM112E1	LKDNCCEM112F1
2"	50	*10	122	253.8	179	29.6	194.6	4622	LKDNCCEM200E1	LKDNCCEM200F1

* PN16 upon request



LKDNC/CE 24 V AC/DC

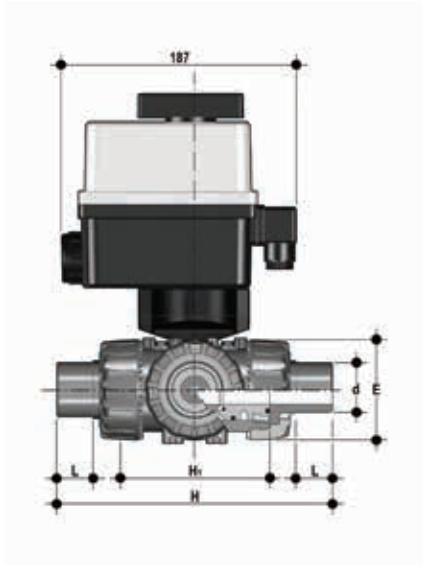
3 way DUAL BLOCK® ball valve with NPT thread female ends with electric actuator 24 V AC/DC "L" ball

R	DN	PN	E	H	H ₁	L	Z	g	EPDM Code	FKM Code
3/8"	10	16	54	118	80	13.7	90.6	1872	LKDNCCEL038E1	LKDNCCEL038F1
1/2"	15	16	54	125	80	18	90.4	1872	LKDNCCEL012E1	LKDNCCEL012F1
3/4"	20	16	65	146.4	100	18	110.4	2126	LKDNCCEL034E1	LKDNCCEL034F1
1"	25	16	73	166.6	110	22.6	121.4	2372	LKDNCCEL100E1	LKDNCCEL100F1
1" 1/4	32	16	86	195.8	131	25.1	145.6	2992	LKDNCCEL114E1	LKDNCCEL114F1
1" 1/2	40	16	98	211.4	148	24.7	162	3392	LKDNCCEL112E1	LKDNCCEL112F1
2"	50	*10	122	253.8	179	29.6	194.6	4622	LKDNCCEL200E1	LKDNCCEL200F1

* PN16 upon request

DIMENSIONS

TKD/CE DN 10÷50 PVC-C

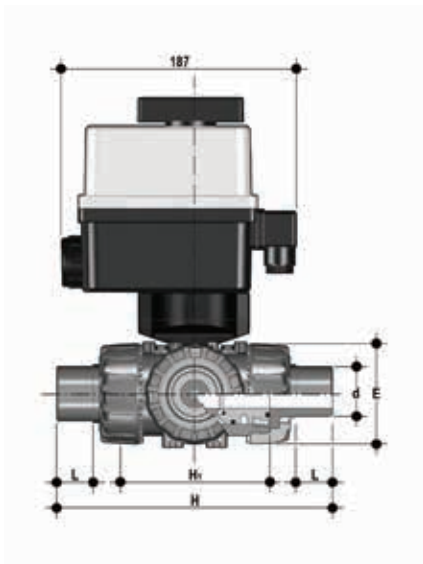


LKDDC/CE 90-240 V AC

3 way DUAL BLOCK® ball valve with metric male ends with multi-volt electric actuator 90-240 V AC 50-60 Hz. "L" ball

d	DN	PN	E	H	H ₁	L	g	EPDM Code	FKM Code
20	15	16	54	140	80	16	1872	LKDDCEM020E1	LKDDCEM020F1
25	20	16	65	175	100	19	2126	LKDDCEM025E1	LKDDCEM025F1
32	25	16	73	188	110	22	2372	LKDDCEM032E1	LKDDCEM032F1
40	32	16	86	220	131	26	2992	LKDDCEM040E1	LKDDCEM040F1
50	40	16	98	251	148	31	3392	LKDDCEM050E1	LKDDCEM050F1
63	50	*10	122	294	179	38	4622	LKDDCEM063E1	LKDDCEM063F1

* PN16 upon request



LKDDC/CE 24 V AC/DC

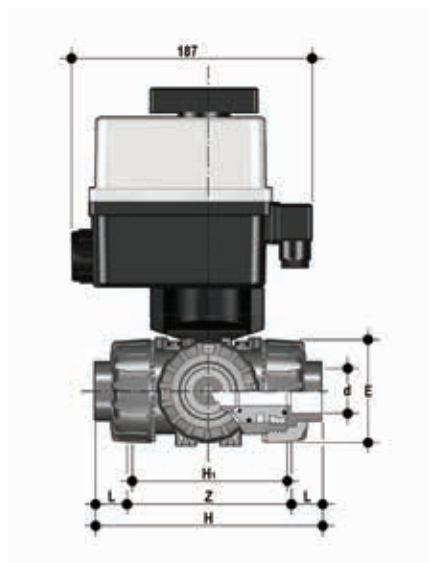
3 way DUAL BLOCK® ball valve with metric male ends with electric actuator 24 V AC/DC. "L" ball

d	DN	PN	E	H	H ₁	L	g	EPDM Code	FKM Code
20	15	16	54	140	80	16	1872	LKDDCEL020E1	LKDDCEL020F1
25	20	16	65	175	100	19	2126	LKDDCEL025E1	LKDDCEL025F1
32	25	16	73	188	110	22	2372	LKDDCEL032E1	LKDDCEL032F1
40	32	16	86	220	131	26	2992	LKDDCEL040E1	LKDDCEL040F1
50	40	16	98	251	148	31	3392	LKDDCEL050E1	LKDDCEL050F1
63	50	*10	122	294	179	38	4622	LKDDCEL063E1	LKDDCEL063F1

* PN16 upon request

DIMENSIONS

TKD/CE DN 10÷50 PVC-C

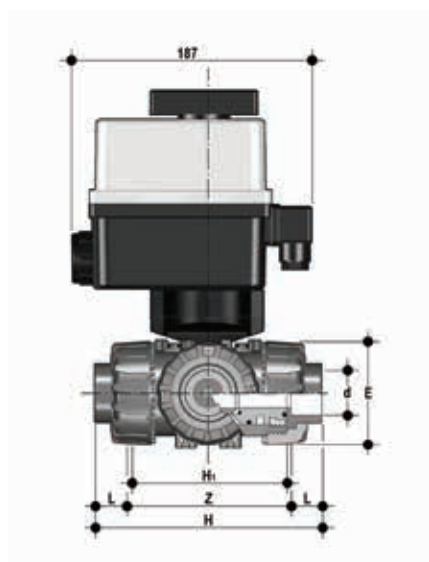


LKDAC/CE 90-240 V AC

3 way DUAL BLOCK® ball valve with female ends for solvent welding, ASTM series with multi-volt electric actuator 90-240 V AC 50-60 Hz. "L" ball

d	DN	PN	E	H	H ₁	L	Z	g	EPDM Code	FKM Code
3/8"	10	16	54	132.2	80	19.5	93.2	1872	LKDACEM038E1	LKDACEM038F1
1/2"	15	16	54	132.2	80	23	87.2	1872	LKDACEM012E1	LKDACEM012F1
3/4"	20	16	65	159.2	100	25.5	108.2	2126	LKDACEM034E1	LKDACEM034F1
1"	25	16	73	174	110	28.7	116.6	2372	LKDACEM100E1	LKDACEM100F1
1" 1/4	32	16	86	205	131	32	141	2992	LKDACEM114E1	LKDACEM114F1
1" 1/2	40	16	98	227.6	148	35	157.6	3392	LKDACEM112E1	LKDACEM112F1
2"	50	*10	122	267	179	38.2	190.6	4622	LKDACEM200E1	LKDACEM200F1

* PN16 upon request



LKDAC/CE 24 V AC/DC

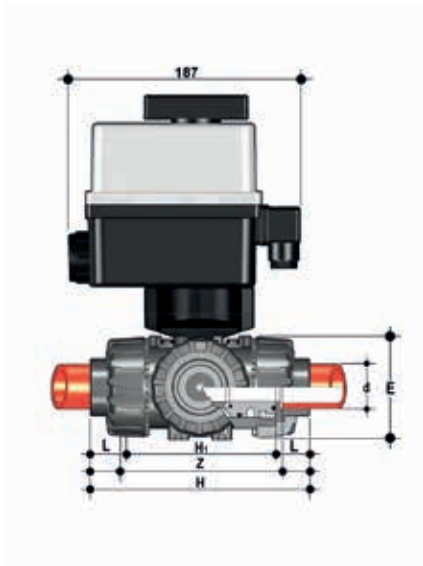
3 way DUAL BLOCK® ball valve with female ends for solvent welding, ASTM series with electric actuator 24 V AC/DC. "L" ball

d	DN	PN	E	H	H ₁	L	Z	g	EPDM Code	FKM Code
3/8"	10	16	54	132.2	80	19.5	93.2	1872	LKDACEL038E1	LKDACEL038F1
1/2"	15	16	54	132.2	80	23	87.2	1872	LKDACEL012E1	LKDACEL012F1
3/4"	20	16	65	159.2	100	25.5	108.2	2126	LKDACEL034E1	LKDACEL034F1
1"	25	16	73	174	110	28.7	116.6	2372	LKDACEL100E1	LKDACEL100F1
1" 1/4	32	16	86	205	131	32	141	2992	LKDACEL114E1	LKDACEL114F1
1" 1/2	40	16	98	227.6	148	35	157.6	3392	LKDACEL112E1	LKDACEL112F1
2"	50	*10	122	267	179	38.2	190.6	4622	LKDACEL200E1	LKDACEL200F1

* PN16 upon request

DIMENSIONS

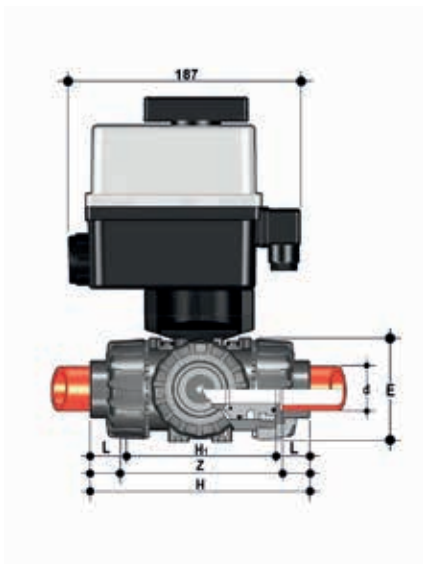
TKD/CE DN 10÷50 PP-H



TKDIM/CE 90-240 V AC

3 way DUAL BLOCK® ball valve with female ends for socket welding with multi-volt electric actuator 90-240 V AC 50-60 Hz "T" ball, configuration 1

d	DN	PN	E	H	H ₁	L	Z	g	EPDM Code	FKM Code
16	10	10	54	118	80	14	89.5	1728	TKDIMEM016E1	TKDIMEM016F1
20	15	10	54	118	80	15	88	1728	TKDIMEM020E1	TKDIMEM020F1
25	20	10	65	145	100	16.5	112	1876	TKDIMEM025E1	TKDIMEM025F1
32	25	10	73	160	110	19	122	2014	TKDIMEM032E1	TKDIMEM032F1
40	32	10	86	188.5	131	23	142.5	2425	TKDIMEM040E1	TKDIMEM040F1
50	40	10	98	219	148	23.5	172	2652	TKDIMEM050E1	TKDIMEM050F1
63	50	10	122	266.5	179	27.7	211.15	3357	TKDIMEM063E1	TKDIMEM063F1



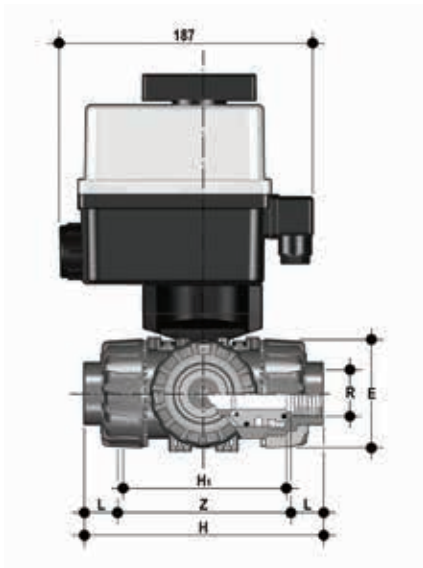
TKDIM/CE 24 V AC/DC

3 way DUAL BLOCK® ball valve with female ends for socket welding with electric actuator 24 V AC/DC "T" ball, configuration 1

d	DN	PN	E	H	H ₁	L	Z	g	EPDM Code	FKM Code
16	10	10	54	118	80	14	89.5	1728	TKDIMEL016E1	TKDIMEL016F1
20	15	10	54	118	80	15	88	1728	TKDIMEL020E1	TKDIMEL020F1
25	20	10	65	145	100	16.5	112	1876	TKDIMEL025E1	TKDIMEL025F1
32	25	10	73	160	110	19	122	2014	TKDIMEL032E1	TKDIMEL032F1
40	32	10	86	188.5	131	23	142.5	2425	TKDIMEL040E1	TKDIMEL040F1
50	40	10	98	219	148	23.5	172	2652	TKDIMEL050E1	TKDIMEL050F1
63	50	10	122	266.5	179	27.7	211.15	3357	TKDIMEL063E1	TKDIMEL063F1

DIMENSIONS

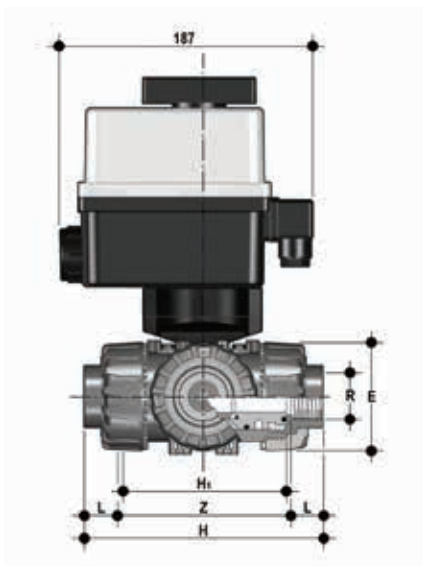
TKD/CE DN 10÷50 PP-H



TKDFM/CE 90-240 V AC

3 way DUAL BLOCK® ball valve with gas cylinder thread female ends with multi-volt electric actuator 90-240 V AC 50-60 Hz "T" ball, configuration 1

R	DN	PN	E	H	H ₁	L	Z	g	EPDM Code	FKM Code
1/2"	15	10	54	125	80	15	95	1728	TKDFMEM012E1	TKDFMEM012F1
3/4"	20	10	65	146	100	16.3	114	1876	TKDFMEM034E1	TKDFMEM034F1
1"	25	10	73	166	110	19.1	129	2014	TKDFMEM100E1	TKDFMEM100F1
1" 1/4	32	10	86	195.5	131	21.4	151	2425	TKDFMEM114E1	TKDFMEM114F1
1" 1/2	40	10	98	211	148	21.4	166	2652	TKDFMEM112E1	TKDFMEM112F1
2"	50	10	122	253.5	179	25.7	199	3357	TKDFMEM200E1	TKDFMEM200F1



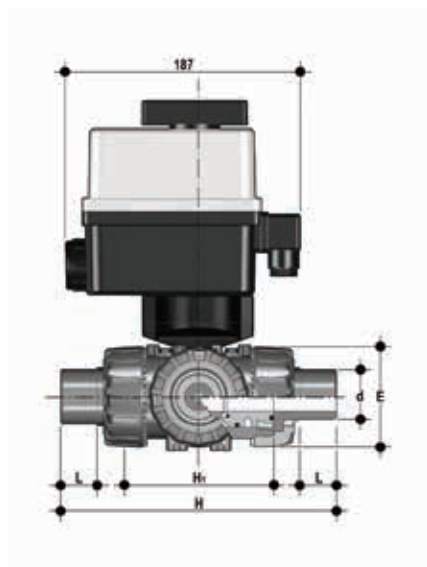
TKDFM/CE 24 V AC/DC

3 way DUAL BLOCK® ball valve with gas cylinder thread female ends with electric actuator 24 V AC/DC "T" ball, configuration 1

R	DN	PN	E	H	H ₁	L	Z	g	EPDM Code	FKM Code
1/2"	15	10	54	125	80	15	95	1728	TKDFMEL012E1	TKDFMEL012F1
3/4"	20	10	65	146	100	16.3	114	1876	TKDFMEL034E1	TKDFMEL034F1
1"	25	10	73	166	110	19.1	129	2014	TKDFMEL100E1	TKDFMEL100F1
1" 1/4	32	10	86	195.5	131	21.4	151	2425	TKDFMEL114E1	TKDFMEL114F1
1" 1/2	40	10	98	211	148	21.4	166	2652	TKDFMEL112E1	TKDFMEL112F1
2"	50	10	122	253.5	179	25.7	199	3357	TKDFMEL200E1	TKDFMEL200F1

DIMENSIONS

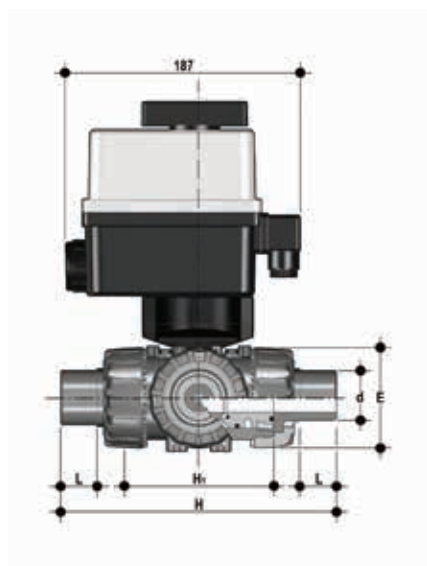
TKD/CE DN 10÷50 PP-H



TKDDM/CE 90-240 V AC

3 way DUAL BLOCK® ball valve with male ends for socket welding with multi-volt electric actuator 90-240 V AC 50-60 Hz. "T" ball, configuration 1

d	DN	PN	E	H	H ₁	L	g	EPDM Code	FKM Code
20	15	10	54	140	80	16	1728	TKDDMEM020E1	TKDDMEM020F1
25	20	10	65	175	100	18	1876	TKDDMEM025E1	TKDDMEM025F1
32	25	10	73	188	110	20	2014	TKDDMEM032E1	TKDDMEM032F1
40	32	10	86	220	131	22	2425	TKDDMEM040E1	TKDDMEM040F1
50	40	10	98	251	148	25	2652	TKDDMEM050E1	TKDDMEM050F1
63	50	10	122	294	179	29	3357	TKDDMEM063E1	TKDDMEM063F1



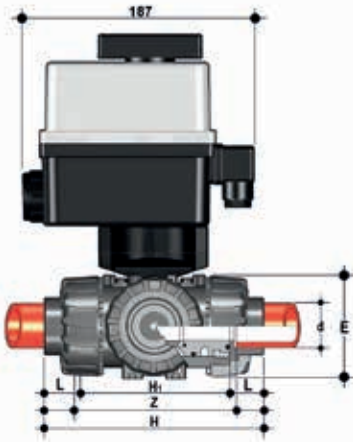
TKDDM/CE 24 V AC/DC

3 way DUAL BLOCK® ball valve with male ends for socket welding with electric actuator 24 V AC/DC. "T" ball, configuration 1

d	DN	PN	E	H	H ₁	L	g	EPDM Code	FKM Code
20	15	10	54	140	80	16	1728	TKDDMEL020E1	TKDDMEL020F1
25	20	10	65	175	100	18	1876	TKDDMEL025E1	TKDDMEL025F1
32	25	10	73	188	110	20	2014	TKDDMEL032E1	TKDDMEL032F1
40	32	10	86	220	131	22	2425	TKDDMEL040E1	TKDDMEL040F1
50	40	10	98	251	148	25	2652	TKDDMEL050E1	TKDDMEL050F1
63	50	10	122	294	179	29	3357	TKDDMEL063E1	TKDDMEL063F1

DIMENSIONS

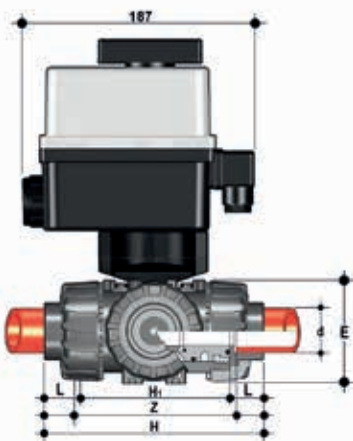
TKD/CE DN 10÷50 PP-H



LKDIM/CE 90-240 V AC

3 way DUAL BLOCK® ball valve with female ends for socket welding with multi-volt electric actuator 90-240 V AC 50-60 Hz "L" ball

d	DN	PN	E	H	H ₁	L	Z	g	EPDM Code	FKM Code
16	10	10	54	118	80	14	89.5	1728	LKDIMEM016E1	LKDIMEM016F1
20	15	10	54	118	80	15	88	1728	LKDIMEM020E1	LKDIMEM020F1
25	20	10	65	145	100	16.5	112	1876	LKDIMEM025E1	LKDIMEM025F1
32	25	10	73	160	110	19	122	2014	LKDIMEM032E1	LKDIMEM032F1
40	32	10	86	188.5	131	23	142.5	2425	LKDIMEM040E1	LKDIMEM040F1
50	40	10	98	219	148	23.5	172	2652	LKDIMEM050E1	LKDIMEM050F1
63	50	10	122	266.5	179	27.7	211.15	3357	LKDIMEM063E1	LKDIMEM063F1



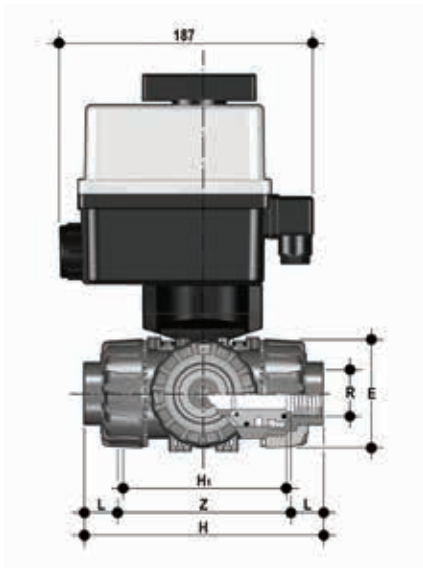
LKDIM/CE 24 V AC/DC

3 way DUAL BLOCK® ball valve with female ends for socket welding with electric actuator 24 V AC/DC "L" ball

d	DN	PN	E	H	H ₁	L	Z	g	EPDM Code	FKM Code
16	10	10	54	118	80	14	89.5	1728	LKDIMEL016E1	LKDIMEL016F1
20	15	10	54	118	80	15	88	1728	LKDIMEL020E1	LKDIMEL020F1
25	20	10	65	145	100	16.5	112	1876	LKDIMEL025E1	LKDIMEL025F1
32	25	10	73	160	110	19	122	2014	LKDIMEL032E1	LKDIMEL032F1
40	32	10	86	188.5	131	23	142.5	2425	LKDIMEL040E1	LKDIMEL040F1
50	40	10	98	219	148	23.5	172	2652	LKDIMEL050E1	LKDIMEL050F1
63	50	10	122	266.5	179	27.7	211.15	3357	LKDIMEL063E1	LKDIMEL063F1

DIMENSIONS

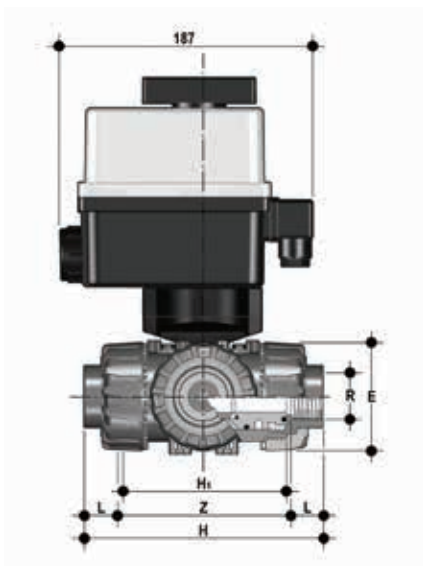
TKD/CE DN 10÷50 PP-H



LKDFM/CE 90-240 V AC

3 way DUAL BLOCK® ball valve with gas cylinder thread female ends with multi-volt electric actuator 90-240 V AC 50-60 Hz "L" ball

R	DN	PN	E	H	H ₁	L	Z	g	EPDM Code	FKM Code
1/2"	15	10	54	125	80	15	95	1728	LKDFMEM012E1	LKDFMEM012F1
3/4"	20	10	65	146	100	16.3	114	1876	LKDFMEM034E1	LKDFMEM034F1
1"	25	10	73	166	110	19.1	129	2014	LKDFMEM100E1	LKDFMEM100F1
1" 1/4	32	10	86	195.5	131	21.4	151	2425	LKDFMEM114E1	LKDFMEM114F1
1" 1/2	40	10	98	211	148	21.4	166	2652	LKDFMEM112E1	LKDFMEM112F1
2"	50	10	122	253.5	179	25.7	199	3357	LKDFMEM200E1	LKDFMEM200F1



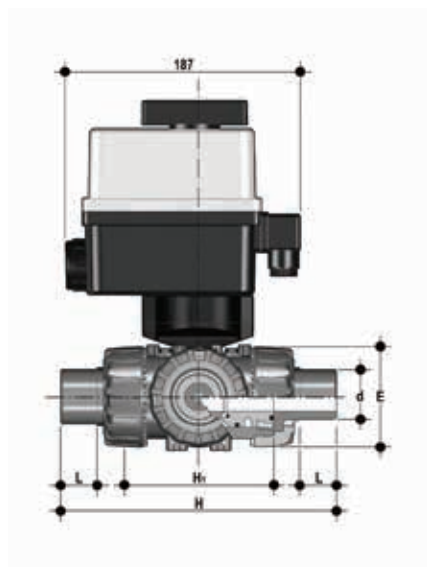
LKDFM/CE 24 V AC/DC

3 way DUAL BLOCK® ball valve with gas cylinder thread female ends with electric actuator 24 V AC/DC "L" ball

R	DN	PN	E	H	H ₁	L	Z	g	EPDM Code	FKM Code
1/2"	15	10	54	125	80	15	95	1728	LKDFMEL012E1	LKDFMEL012F1
3/4"	20	10	65	146	100	16.3	114	1876	LKDFMEL034E1	LKDFMEL034F1
1"	25	10	73	166	110	19.1	129	2014	LKDFMEL100E1	LKDFMEL100F1
1" 1/4	32	10	86	195.5	131	21.4	151	2425	LKDFMEL114E1	LKDFMEL114F1
1" 1/2	40	10	98	211	148	21.4	166	2652	LKDFMEL112E1	LKDFMEL112F1
2"	50	10	122	253.5	179	25.7	199	3357	LKDFMEL200E1	LKDFMEL200F1

DIMENSIONS

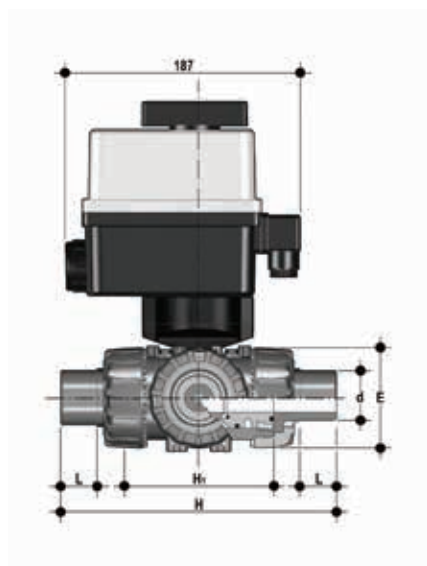
TKD/CE DN 10÷50 PP-H



LKDDM/CE 90-240 V AC

3 way DUAL BLOCK® ball valve with male ends for socket welding with multi-volt electric actuator 90-240 V AC 50-60 Hz. "L" ball

d	DN	PN	E	H	H ₁	L	g	EPDM Code	FKM Code
20	15	10	54	140	80	16	1728	LKDDMEM020E1	LKDDMEM020F1
25	20	10	65	175	100	18	1876	LKDDMEM025E1	LKDDMEM025F1
32	25	10	73	188	110	20	2014	LKDDMEM032E1	LKDDMEM032F1
40	32	10	86	220	131	22	2425	LKDDMEM040E1	LKDDMEM040F1
50	40	10	98	251	148	25	2652	LKDDMEM050E1	LKDDMEM050F1
63	50	10	122	294	179	29	3357	LKDDMEM063E1	LKDDMEM063F1



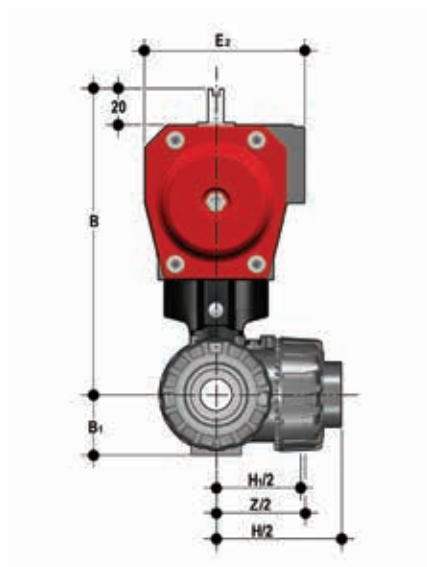
LKDDM/CE 24 V AC/DC

3 way DUAL BLOCK® ball valve with male ends for socket welding with electric actuator 24 V AC/DC. "L" ball

d	DN	PN	E	H	H ₁	L	g	EPDM Code	FKM Code
20	15	10	54	140	80	16	1728	LKDDMEL020E1	LKDDMEL020F1
25	20	10	65	175	100	18	1876	LKDDMEL025E1	LKDDMEL025F1
32	25	10	73	188	110	20	2014	LKDDMEL032E1	LKDDMEL032F1
40	32	10	86	220	131	22	2425	LKDDMEL040E1	LKDDMEL040F1
50	40	10	98	251	148	25	2652	LKDDMEL050E1	LKDDMEL050F1
63	50	10	122	294	179	29	3357	LKDDMEL063E1	LKDDMEL063F1

DIMENSIONS

TKD/CP DN 10÷50 PVC-U



Dimensions common to all double-acting versions

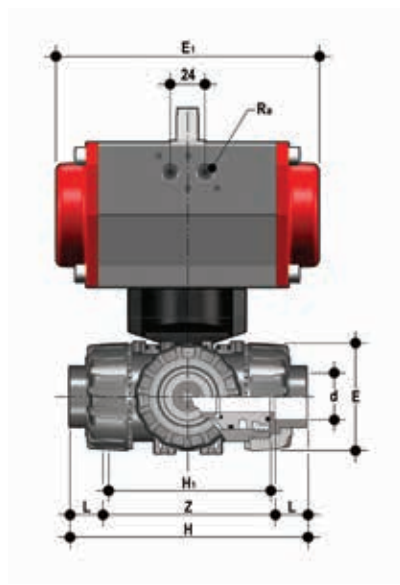
DN	B	B ₁	E ₂
10	145	29	75
15	145	29	86
20	156.5	34.5	86
25	161	39	86
32	194	46	86
40	200	52	86
50	200	62	86

Dimensions common to all single-acting versions

DN	B	B ₁	E ₂
10	145	29	75
15	145	29	86
20	156.5	34.5	86
25	161	39	86
32	194	46	86
40	200	52	86
50	217	62	94

DIMENSIONS

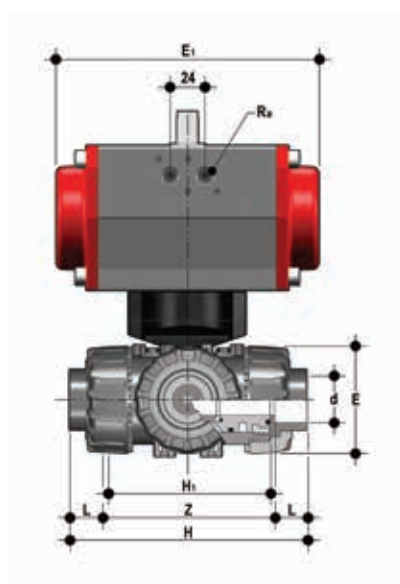
TKD/CP DN 10÷50 PVC-U



TKDIV/CP DA

3 way DUAL BLOCK® ball valve with female metric ends with pneumatic actuator, Double-Acting function "T" ball, configuration 1

d	DN	PN	E	H	H ₁	L	Z	R _a	E ₁	g	EPDM Code	FKM Code
16	10	16	54	118	80	14	90	G1/8"	138	1413	TKDIVDA016E1	TKDIVDA016F1
20	15	16	54	118	80	16	86	G1/8"	138	1943	TKDIVDA020E1	TKDIVDA020F1
25	20	16	65	145	100	19	107	G1/4"	155.5	2186	TKDIVDA025E1	TKDIVDA025F1
32	25	16	73	160	110	22	116	G1/4"	155.5	2409	TKDIVDA032E1	TKDIVDA032F1
40	32	16	86	188.5	131	26	136.5	G1/4"	155.5	2913	TKDIVDA040E1	TKDIVDA040F1
50	40	16	98	219	148	31	157	G1/4"	155.5	3260	TKDIVDA050E1	TKDIVDA050F1
63	50	16	122	266.5	179	38	190.5	G1/4"	155.5	5684	TKDIVDA063E1	TKDIVDA063F1



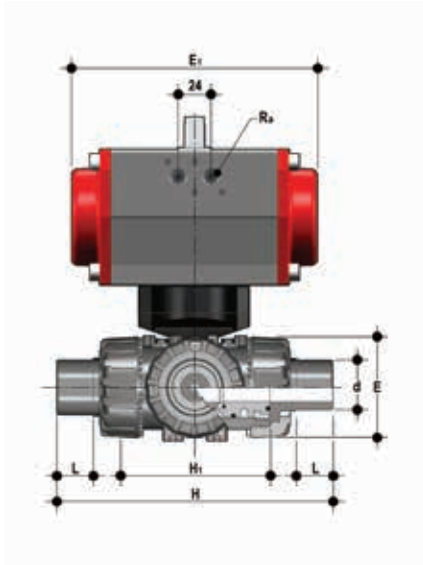
TKDIV/CP SA

3 way DUAL BLOCK® ball valve with female metric ends with pneumatic actuator, Single-acting function "T" ball, configuration 1

d	DN	PN	E	H	H ₁	L	Z	R _a	E ₁	g	EPDM Code	FKM Code
16	10	16	54	118	80	14	90	G1/8"	138	1543	TKDIVSA016E1	TKDIVSA016F1
20	15	16	54	118	80	16	86	G1/8"	138	2143	TKDIVSA020E1	TKDIVSA020F1
25	20	16	65	145	100	19	107	G1/4"	155.5	2386	TKDIVSA025E1	TKDIVSA025F1
32	25	16	73	160	110	22	116	G1/4"	155.5	2659	TKDIVSA032E1	TKDIVSA032F1
40	32	16	86	188.5	131	26	136.5	G1/4"	155.5	3113	TKDIVSA040E1	TKDIVSA040F1
50	40	16	98	219	148	31	157	G1/4"	155.5	3460	TKDIVSA050E1	TKDIVSA050F1
63	50	16	122	266.5	179	38	190.5	G1/4"	210	6154	TKDIVSA063E1	TKDIVSA063F1

DIMENSIONS

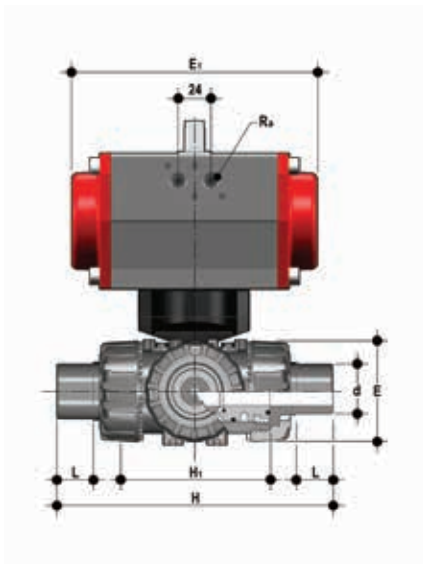
TKD/CP DN 10÷50 PVC-U



TKDDV/CP DA

3 way DUAL BLOCK® ball valve with male metric ends with pneumatic actuator, Double-Acting function. "T" ball, configuration 1

d	DN	PN	E	H	H ₁	L	R ₀	E ₁	g	EPDM Code	FKM Code
20	15	16	54	140	80	16	G1/8"	138	1943	TKDDVDA020E1	TKDDVDA020F1
25	20	16	65	175	100	19	G1/8"	155.5	2186	TKDDVDA025E1	TKDDVDA025F1
32	25	16	73	188	110	22	G1/8"	155.5	2409	TKDDVDA032E1	TKDDVDA032F1
40	32	16	86	220	131	26	G1/4"	155.5	2913	TKDDVDA040E1	TKDDVDA040F1
50	40	16	98	251	148	31	G1/4"	155.5	3260	TKDDVDA050E1	TKDDVDA050F1
63	50	16	122	294	179	38	G1/4"	155.5	5684	TKDDVDA063E1	TKDDVDA063F1



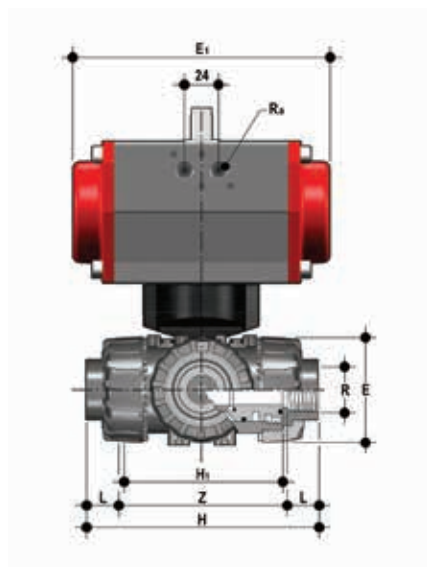
TKDDV/CP SA

3 way DUAL BLOCK® ball valve with male metric ends with pneumatic actuator, Single-acting function. "T" ball, configuration 1

d	DN	PN	E	H	H ₁	L	R ₀	E ₁	g	EPDM Code	FKM Code
20	15	16	54	140	80	16	G1/8"	138	2143	TKDDVSA020E1	TKDDVSA020F1
25	20	16	65	175	100	19	G1/8"	155.5	2386	TKDDVSA025E1	TKDDVSA025F1
32	25	16	73	188	110	22	G1/8"	155.5	2659	TKDDVSA032E1	TKDDVSA032F1
40	32	16	86	220	131	26	G1/4"	155.5	3113	TKDDVSA040E1	TKDDVSA040F1
50	40	16	98	251	148	31	G1/4"	155.5	3460	TKDDVSA050E1	TKDDVSA050F1
63	50	16	122	294	179	38	G1/4"	210	6154	TKDDVSA063E1	TKDDVSA063F1

DIMENSIONS

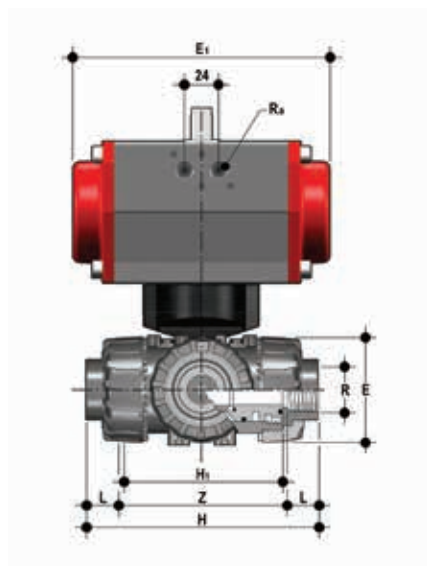
TKD/CP DN 10÷50 PVC-U



TKDFV/CP DA

3 way DUAL BLOCK® ball valve with gas cylinder thread female ends with pneumatic actuator, Double-Acting function "T" ball, configuration 1

R	DN	PN	E	H	H ₁	L	Z	R ₀	E ₁	g	EPDM Code	FKM Code
3/8"	10	16	54	118	80	11.4	95	G1/8"	138	1413	TKDFVDA038E1	TKDFVDA038F1
1/2"	15	16	54	125	80	15	95	G1/8"	138	1943	TKDFVDA012E1	TKDFVDA012F1
3/4"	20	16	65	146	100	16.3	114	G1/4"	155.5	2186	TKDFVDA034E1	TKDFVDA034F1
1"	25	16	73	166	110	19.1	129	G1/4"	155.5	2409	TKDFVDA100E1	TKDFVDA100F1
1" 1/4	32	16	86	195.5	131	21.4	151	G1/4"	155.5	2913	TKDFVDA114E1	TKDFVDA114F1
1" 1/2	40	16	98	211	148	21.4	166	G1/4"	155.5	3260	TKDFVDA112E1	TKDFVDA112F1
2"	50	16	122	253.5	179	25.7	199	G1/4"	155.5	5684	TKDFVDA200E1	TKDFVDA200F1



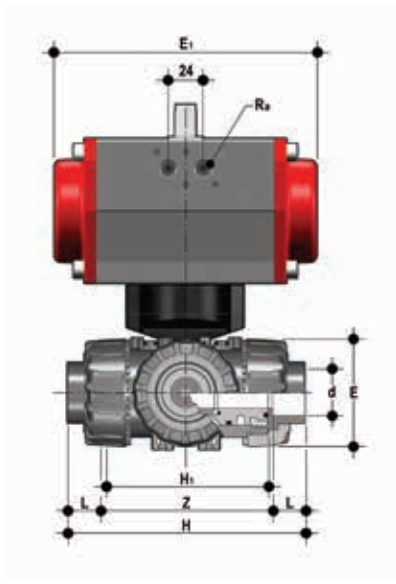
TKDFV/CP SA

3 way DUAL BLOCK® ball valve with gas cylinder thread female ends with pneumatic actuator, Single-acting function "T" ball, configuration 1

R	DN	PN	E	H	H ₁	L	Z	R ₀	E ₁	g	EPDM Code	FKM Code
3/8"	10	16	54	118	80	11.4	95	G1/8"	138	1543	TKDFVSA038E1	TKDFVSA038F1
1/2"	15	16	54	125	80	15	95	G1/8"	138	2143	TKDFVSA012E1	TKDFVSA012F1
3/4"	20	16	65	146	100	16.3	114	G1/4"	155.5	2386	TKDFVSA034E1	TKDFVSA034F1
1"	25	16	73	166	110	19.1	129	G1/4"	155.5	2659	TKDFVSA100E1	TKDFVSA100F1
1" 1/4	32	16	86	195.5	131	21.4	151	G1/4"	155.5	3113	TKDFVSA114E1	TKDFVSA114F1
1" 1/2	40	16	98	211	148	21.4	166	G1/4"	155.5	3460	TKDFVSA112E1	TKDFVSA112F1
2"	50	16	122	253.5	179	25.7	199	G1/4"	210	6154	TKDFVSA200E1	TKDFVSA200F1

DIMENSIONS

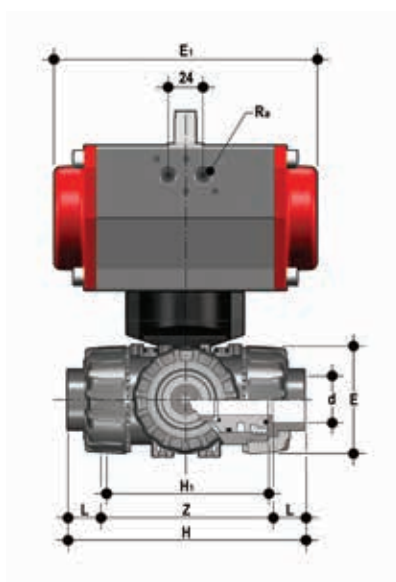
TKD/CP DN 10÷50 PVC-U



TKDLV/CP DA

3 way DUAL BLOCK® ball valve with female ends, BS series with pneumatic actuator, Double-Acting function. "T" ball, configuration 1

R	DN	PN	E	H	H ₁	L	Z	R ₀	E ₁	g	EPDM Code	FKM Code
3/8"	10	16	54	118	80	14.7	88.6	G1/8"	138	1413	TKDLVDA038E1	TKDLVDA038F1
1/2"	15	16	54	118	80	17	85	G1/8"	138	1943	TKDLVDA012E1	TKDLVDA012F1
3/4"	20	16	65	144.8	100	19	106.8	G1/4"	155.5	2186	TKDLVDA034E1	TKDLVDA034F1
1"	25	16	73	160	110	22.5	115	G1/4"	155.5	2409	TKDLVDA100E1	TKDLVDA100F1
1" 1/4	32	16	86	188.6	131	26	136.6	G1/4"	155.5	2913	TKDLVDA114E1	TKDLVDA114F1
1" 1/2	40	16	98	219.4	148	30.2	159	G1/4"	155.5	3260	TKDLVDA112E1	TKDLVDA112F1
2"	50	16	122	266.6	179	36.2	194.2	G1/4"	155.5	5684	TKDLVDA200E1	TKDLVDA200F1



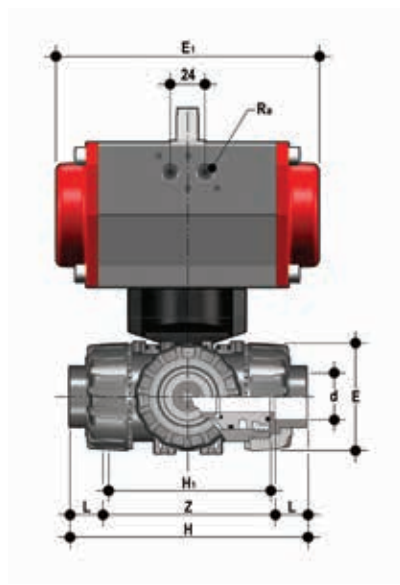
TKDLV/CP SA

3 way DUAL BLOCK® ball valve with female ends, BS series with pneumatic actuator, Single-acting function. "T" ball, configuration 1

R	DN	PN	E	H	H ₁	L	Z	R ₀	E ₁	g	EPDM Code	FKM Code
3/8"	10	16	54	118	80	14.7	88.6	G1/8"	138	1543	TKDLVSA038E1	TKDLVSA038F1
1/2"	15	16	54	118	80	17	85	G1/8"	138	2143	TKDLVSA012E1	TKDLVSA012F1
3/4"	20	16	65	144.8	100	19	106.8	G1/4"	155.5	2386	TKDLVSA034E1	TKDLVSA034F1
1"	25	16	73	160	110	22.5	115	G1/4"	155.5	2659	TKDLVSA100E1	TKDLVSA100F1
1" 1/4	32	16	86	188.6	131	26	136.6	G1/4"	155.5	3113	TKDLVSA114E1	TKDLVSA114F1
1" 1/2	40	16	98	219.4	148	30.2	159	G1/4"	155.5	3460	TKDLVSA112E1	TKDLVSA112F1
2"	50	16	122	266.6	179	36.2	194.2	G1/4"	210	6154	TKDLVSA200E1	TKDLVSA200F1

DIMENSIONS

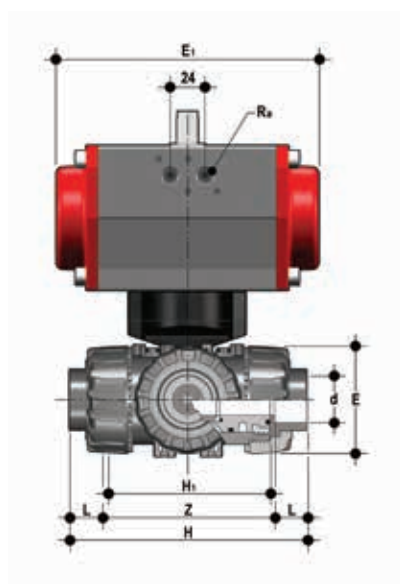
TKD/CP DN 10÷50 PVC-U



TKDAV/CP DA

3 way DUAL BLOCK® ball valve with female ends, ASTM series with pneumatic actuator, Double-Acting function. "T" ball, configuration 1

d	DN	PN	E	H	H ₁	L	Z	R _g	E ₁	g	EPDM Code	FKM Code
3/8"	10	16	54	132.2	80	19.5	93.2	G1/8"	138	1413	TKDAVDA038E1	TKDAVDA038F1
1/2"	15	16	54	132.2	80	23	86.2	G1/8"	138	1943	TKDAVDA012E1	TKDAVDA012F1
3/4"	20	16	65	159.2	100	25.5	108.2	G1/4"	155.5	2186	TKDAVDA034E1	TKDAVDA034F1
1"	25	16	73	174	110	28.7	116.6	G1/4"	155.5	2409	TKDAVDA100E1	TKDAVDA100F1
1" 1/4	32	16	86	205	131	32	141	G1/4"	155.5	2913	TKDAVDA114E1	TKDAVDA114F1
1" 1/2	40	16	98	227.6	148	35	157.6	G1/4"	155.5	3260	TKDAVDA112E1	TKDAVDA112F1
2"	50	16	122	267	179	38.2	190.6	G1/4"	155.5	5684	TKDAVDA200E1	TKDAVDA200F1



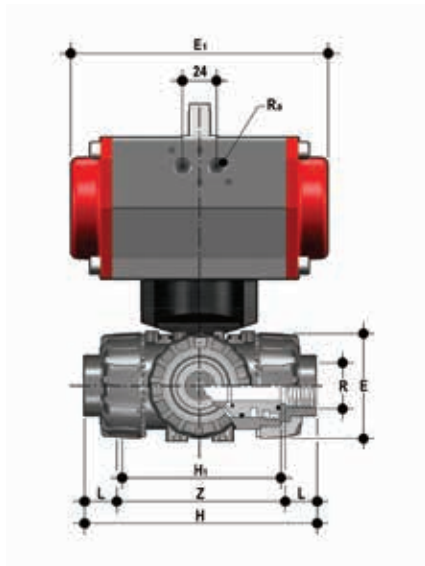
TKDAV/CP SA

3 way DUAL BLOCK® ball valve with female ends, ASTM series with pneumatic actuator, Single-acting function. "T" ball, configuration 1

d	DN	PN	E	H	H ₁	L	Z	R _g	E ₁	g	EPDM Code	FKM Code
3/8"	10	16	54	132.2	80	19.5	93.2	G1/8"	138	1543	TKDAVSA038E1	TKDAVSA038F1
1/2"	15	16	54	132.2	80	23	86.2	G1/8"	138	2143	TKDAVSA012E1	TKDAVSA012F1
3/4"	20	16	65	159.2	100	25.5	108.2	G1/4"	155.5	2386	TKDAVSA034E1	TKDAVSA034F1
1"	25	16	73	174	110	28.7	116.6	G1/4"	155.5	2659	TKDAVSA100E1	TKDAVSA100F1
1" 1/4	32	16	86	205	131	32	141	G1/4"	155.5	3113	TKDAVSA114E1	TKDAVSA114F1
1" 1/2	40	16	98	227.6	148	35	157.6	G1/4"	155.5	3460	TKDAVSA112E1	TKDAVSA112F1
2"	50	16	122	267	179	38.2	190.6	G1/4"	210	6154	TKDAVSA200E1	TKDAVSA200F1

DIMENSIONS

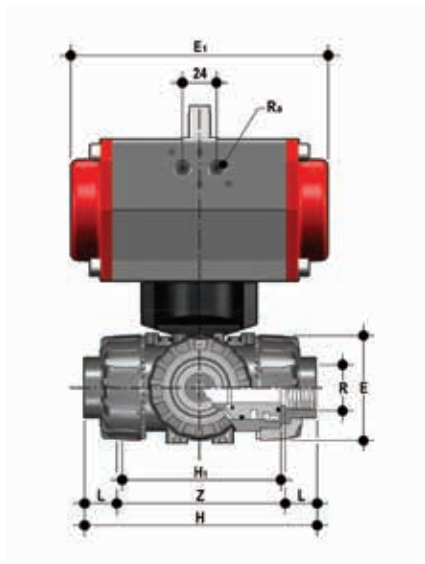
TKD/CP DN 10÷50 PVC-U



TKDNV/CP DA

3 way DUAL BLOCK® ball valve with NPT thread female ends with pneumatic actuator, Double-Acting function. "T" ball, configuration 1

R	DN	PN	E	H	H ₁	L	Z	R ₀	E ₁	g	EPDM Code	FKM Code
3/8"	10	16	54	118	80	13.7	90.6	G1/8"	138	1413	TKDNVDA038E1	TKDNVDA038F1
1/2"	15	16	54	126	80	18	90.4	G1/8"	138	1943	TKDNVDA012E1	TKDNVDA012F1
3/4"	20	16	65	146.4	100	18	110.4	G1/4"	155.5	2186	TKDNVDA034E1	TKDNVDA034F1
1"	25	16	73	166.6	110	22.6	121.4	G1/4"	155.5	2409	TKDNVDA100E1	TKDNVDA100F1
1" 1/4	32	16	86	195.8	131	25.1	145.6	G1/4"	155.5	2913	TKDNVDA114E1	TKDNVDA114F1
1" 1/2	40	16	98	211.4	148	24.7	162	G1/4"	155.5	3260	TKDNVDA112E1	TKDNVDA112F1
2"	50	16	122	253.8	179	29.6	194.6	G1/4"	155.5	5684	TKDNVDA200E1	TKDNVDA200F1



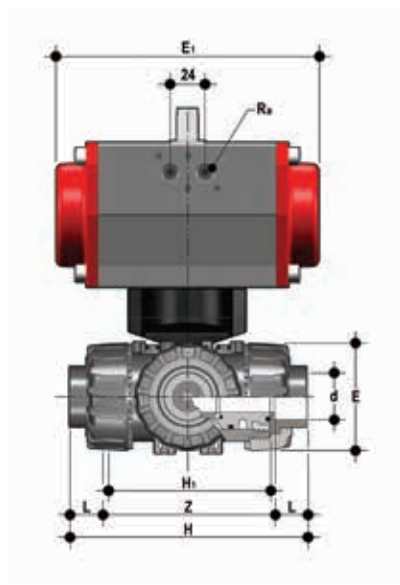
TKDNV/CP SA

3 way DUAL BLOCK® ball valve with NPT thread female ends with pneumatic actuator, Single-acting function. "T" ball, configuration 1

R	DN	PN	E	H	H ₁	L	Z	R ₀	E ₁	g	EPDM Code	FKM Code
3/8"	10	16	54	118	80	13.7	90.6	G1/8"	138	1543	TKDNVSA038E1	TKDNVSA038F1
1/2"	15	16	54	126	80	18	90.4	G1/8"	138	2143	TKDNVSA012E1	TKDNVSA012F1
3/4"	20	16	65	146.4	100	18	110.4	G1/4"	155.5	2386	TKDNVSA034E1	TKDNVSA034F1
1"	25	16	73	166.6	110	22.6	121.4	G1/4"	155.5	2659	TKDNVSA100E1	TKDNVSA100F1
1" 1/4	32	16	86	195.8	131	25.1	145.6	G1/4"	155.5	3113	TKDNVSA114E1	TKDNVSA114F1
1" 1/2	40	16	98	211.4	148	24.7	162	G1/4"	155.5	3460	TKDNVSA112E1	TKDNVSA112F1
2"	50	16	122	253.8	179	29.6	194.6	G1/4"	210	6154	TKDNVSA200E1	TKDNVSA200F1

DIMENSIONS

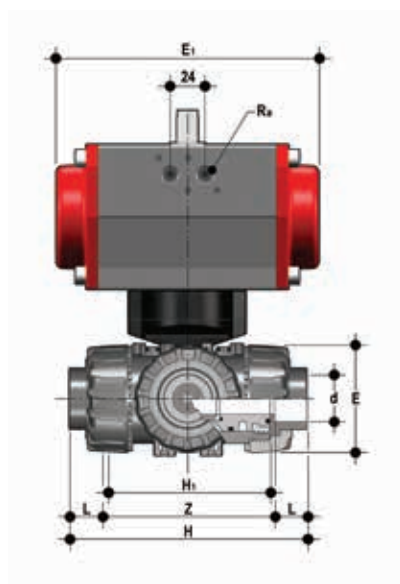
TKD/CP DN 10÷50 PVC-U



TKDJV/CP DA

3 way DUAL BLOCK® ball valve with female ends, JIS series, Double-Acting function. "T" ball, configuration 1

d	DN	PN	E	H	H ₁	L	Z	R _a	E ₁	g	EPDM Code	FKM Code
1/2"	15	16	54	146	80	30	86	G1/8"	138	1943	TKDJVDA012E1	TKDJVDA012F1
3/4"	20	16	65	177	100	35	107	G1/4"	155.5	2186	TKDJVDA034E1	TKDJVDA034F1
1"	25	16	73	196	110	40	116	G1/4"	155.5	2409	TKDJVDA100E1	TKDJVDA100F1
1" 1/4	32	16	86	225	131	44	137	G1/4"	155.5	2913	TKDJVDA114E1	TKDJVDA114F1
1" 1/2	40	16	98	267.2	148	55	157.2	G1/4"	155.5	3260	TKDJVDA112E1	TKDJVDA112F1
2"	50	16	122	316	179	63	190	G1/4"	155.5	5684	TKDJVDA200E1	TKDJVDA200F1



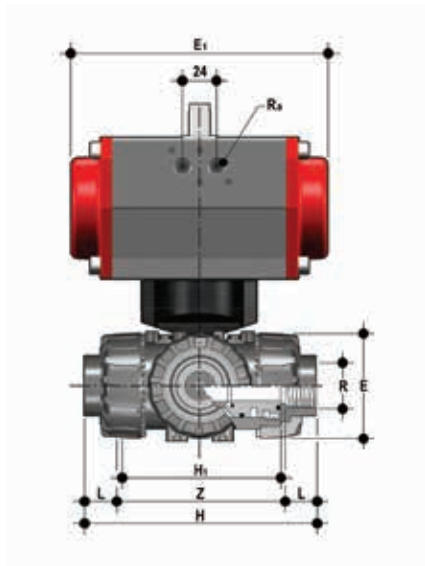
TKDJV/CP SA

3 way DUAL BLOCK® ball valve with female ends, JIS series, Single-acting function. "T" ball, configuration 1

d	DN	PN	E	H	H ₁	L	Z	R _a	E ₁	g	EPDM Code	FKM Code
1/2"	15	16	54	146	80	30	86	G1/8"	138	2143	TKDJVSA012E1	TKDJVSA012F1
3/4"	20	16	65	177	100	35	107	G1/4"	155.5	2386	TKDJVSA034E1	TKDJVSA034F1
1"	25	16	73	196	110	40	116	G1/4"	155.5	2659	TKDJVSA100E1	TKDJVSA100F1
1" 1/4	32	16	86	225	131	44	137	G1/4"	155.5	3113	TKDJVSA114E1	TKDJVSA114F1
1" 1/2	40	16	98	267.2	148	55	157.2	G1/4"	155.5	3460	TKDJVSA112E1	TKDJVSA112F1
2"	50	16	122	316	179	63	190	G1/4"	210	6154	TKDJVSA200E1	TKDJVSA200F1

DIMENSIONS

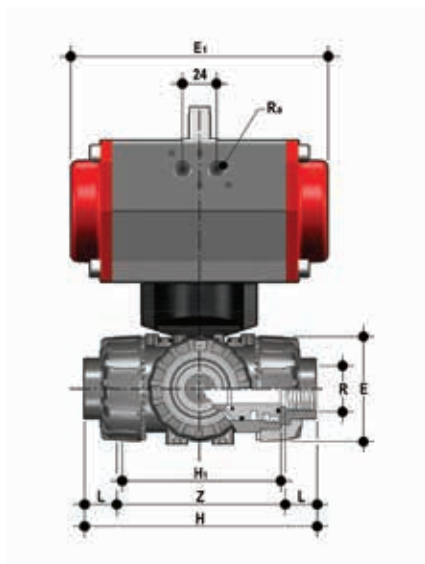
TKD/CP DN 10÷50 PVC-U



TKDGV/CP DA

3 way DUAL BLOCK® ball valve with female ends, JIS thread, Double-Acting function. "T" ball, configuration 1

R	DN	PN	E	H	H ₁	L	Z	R _b	E ₁	g	EPDM Code	FKM Code
1/2"	15	16	54	118	80	16	86	G1/8"	138	1943	TKDGVDA012E1	TKDGVDA012F1
3/4"	20	16	65	144.8	100	19	106.8	G1/4"	155.5	2186	TKDGVDA034E1	TKDGVDA034F1
1"	25	16	73	160	110	22	116	G1/4"	155.5	2409	TKDGVDA100E1	TKDGVDA100F1
1" 1/4	32	16	86	188.6	131	25	138.6	G1/4"	155.5	2913	TKDGVDA114E1	TKDGVDA114F1
1" 1/2	40	16	98	219.4	148	26	167.4	G1/4"	155.5	3260	TKDGVDA112E1	TKDGVDA112F1
2"	50	16	122	166.6	179	31	204.6	G1/4"	155.5	5684	TKDGVDA200E1	TKDGVDA200F1



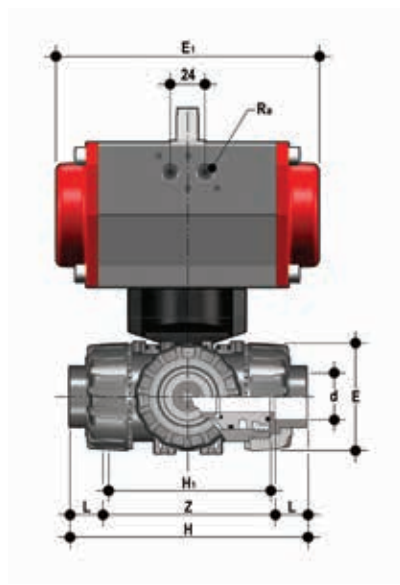
TKDGV/CP SA

3 way DUAL BLOCK® ball valve with female ends, JIS thread, Single-acting function. "T" ball, configuration 1

R	DN	PN	E	H	H ₁	L	Z	R _b	E ₁	g	EPDM Code	FKM Code
1/2"	15	16	54	118	80	16	86	G1/8"	138	2143	TKDGVSA012E1	TKDGVSA012F1
3/4"	20	16	65	144.8	100	19	106.8	G1/4"	155.5	2386	TKDGVSA034E1	TKDGVSA034F1
1"	25	16	73	160	110	22	116	G1/4"	155.5	2659	TKDGVSA100E1	TKDGVSA100F1
1" 1/4	32	16	86	188.6	131	25	138.6	G1/4"	155.5	3113	TKDGVSA114E1	TKDGVSA114F1
1" 1/2	40	16	98	219.4	148	26	167.4	G1/4"	155.5	3460	TKDGVSA112E1	TKDGVSA112F1
2"	50	16	122	166.6	179	31	204.6	G1/4"	210	6154	TKDGVSA200E1	TKDGVSA200F1

DIMENSIONS

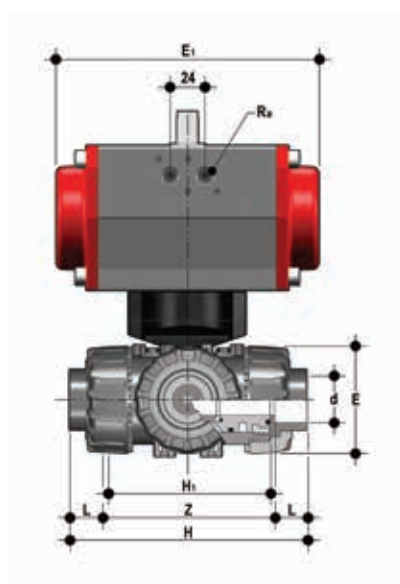
TKD/CP DN 10÷50 PVC-U



LKDIV/CP DA

3 way DUAL BLOCK® ball valve with female metric ends with pneumatic actuator, Double-Acting function "L" ball

d	DN	PN	E	H	H ₁	L	Z	R _a	E ₁	g	EPDM Code	FKM Code
16	10	16	54	118	80	14	90	G1/8"	138	1413	LKDIVDA016E1	LKDIVDA016F1
20	15	16	54	118	80	16	86	G1/8"	138	1943	LKDIVDA020E1	LKDIVDA020F1
25	20	16	65	145	100	19	107	G1/4"	155.5	2186	LKDIVDA025E1	LKDIVDA025F1
32	25	16	73	160	110	22	116	G1/4"	155.5	2409	LKDIVDA032E1	LKDIVDA032F1
40	32	16	86	188.5	131	26	136.5	G1/4"	155.5	2913	LKDIVDA040E1	LKDIVDA040F1
50	40	16	98	219	148	31	157	G1/4"	155.5	3260	LKDIVDA050E1	LKDIVDA050F1
63	50	16	122	266.5	179	38	190.5	G1/4"	155.5	5684	LKDIVDA063E1	LKDIVDA063F1



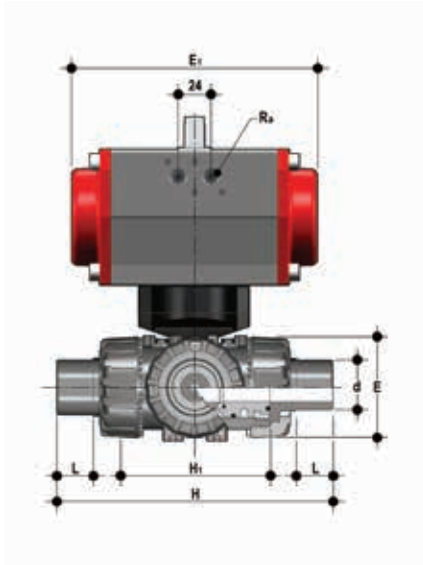
LKDIV/CP SA

3 way DUAL BLOCK® ball valve with female metric ends with pneumatic actuator, Single-acting function "L" ball

d	DN	PN	E	H	H ₁	L	Z	R _a	E ₁	g	EPDM Code	FKM Code
16	10	16	54	118	80	14	90	G1/8"	138	1543	LKDIVSA016E1	LKDIVSA016F1
20	15	16	54	118	80	16	86	G1/8"	138	2143	LKDIVSA020E1	LKDIVSA020F1
25	20	16	65	145	100	19	107	G1/4"	155.5	2386	LKDIVSA025E1	LKDIVSA025F1
32	25	16	73	160	110	22	116	G1/4"	155.5	2659	LKDIVSA032E1	LKDIVSA032F1
40	32	16	86	188.5	131	26	136.5	G1/4"	155.5	3113	LKDIVSA040E1	LKDIVSA040F1
50	40	16	98	219	148	31	157	G1/4"	155.5	3460	LKDIVSA050E1	LKDIVSA050F1
63	50	16	122	266.5	179	38	190.5	G1/4"	210	6154	LKDIVSA063E1	LKDIVSA063F1

DIMENSIONS

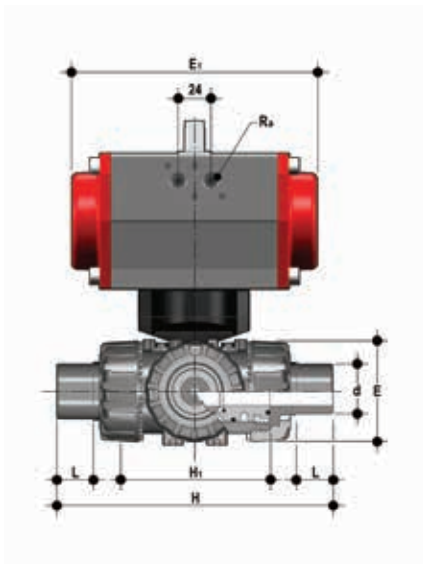
TKD/CP DN 10÷50 PVC-U



LKDDV/CP DA

3 way DUAL BLOCK® ball valve with male metric ends with pneumatic actuator, Double-Acting function. "L" ball

d	DN	PN	E	H	H ₁	L	R ₀	E ₁	g	EPDM Code	FKM Code
20	15	16	54	140	80	16	G1/8"	138	1943	LKDDVDA020E1	LKDDVDA020F1
25	20	16	65	175	100	19	G1/8"	155.5	2186	LKDDVDA025E1	LKDDVDA025F1
32	25	16	73	188	110	22	G1/8"	155.5	2409	LKDDVDA032E1	LKDDVDA032F1
40	32	16	86	220	131	26	G1/4"	155.5	2913	LKDDVDA040E1	LKDDVDA040F1
50	40	16	98	251	148	31	G1/4"	155.5	3260	LKDDVDA050E1	LKDDVDA050F1
63	50	16	122	294	179	38	G1/4"	155.5	5684	LKDDVDA063E1	LKDDVDA063F1



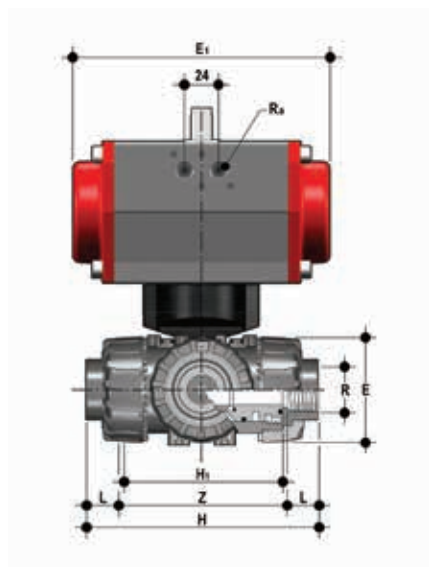
LKDDV/CP SA

3 way DUAL BLOCK® ball valve with male metric ends with pneumatic actuator, Single-acting function. "L" ball

d	DN	PN	E	H	H ₁	L	R ₀	E ₁	g	EPDM Code	FKM Code
20	15	16	54	140	80	16	G1/8"	138	2143	LKDDVSA020E1	LKDDVSA020F1
25	20	16	65	175	100	19	G1/8"	155.5	2386	LKDDVSA025E1	LKDDVSA025F1
32	25	16	73	188	110	22	G1/8"	155.5	2659	LKDDVSA032E1	LKDDVSA032F1
40	32	16	86	220	131	26	G1/4"	155.5	3113	LKDDVSA040E1	LKDDVSA040F1
50	40	16	98	251	148	31	G1/4"	155.5	3460	LKDDVSA050E1	LKDDVSA050F1
63	50	16	122	294	179	38	G1/4"	210	6154	LKDDVSA063E1	LKDDVSA063F1

DIMENSIONS

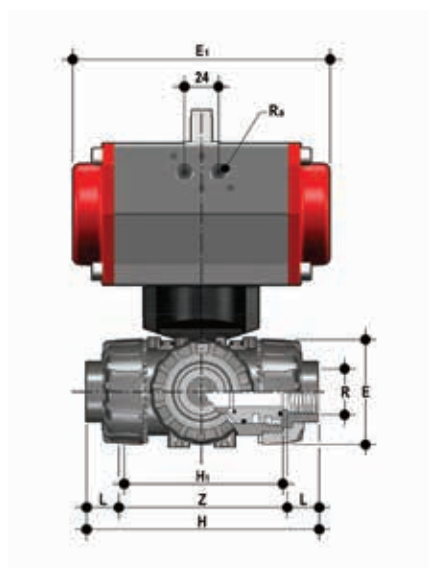
TKD/CP DN 10÷50 PVC-U



LKDFV/CP DA

3 way DUAL BLOCK® ball valve with gas cylinder thread female ends with pneumatic actuator, Double-Acting function "L" ball

R	DN	PN	E	H	H ₁	L	Z	R ₀	E ₁	g	EPDM Code	FKM Code
3/8"	10	16	54	118	80	11.4	95	G1/8"	138	1413	LKDFVDA038E1	LKDFVDA038F1
1/2"	15	16	54	125	80	15	95	G1/8"	138	1943	LKDFVDA012E1	LKDFVDA012F1
3/4"	20	16	65	146	100	16.3	114	G1/4"	155.5	2186	LKDFVDA034E1	LKDFVDA034F1
1"	25	16	73	166	110	19.1	129	G1/4"	155.5	2409	LKDFVDA100E1	LKDFVDA100F1
1" 1/4	32	16	86	195.5	131	21.4	151	G1/4"	155.5	2913	LKDFVDA114E1	LKDFVDA114F1
1" 1/2	40	16	98	211	148	21.4	166	G1/4"	155.5	3260	LKDFVDA112E1	LKDFVDA112F1
2"	50	16	122	253.5	179	25.7	199	G1/4"	155.5	5684	LKDFVDA200E1	LKDFVDA200F1



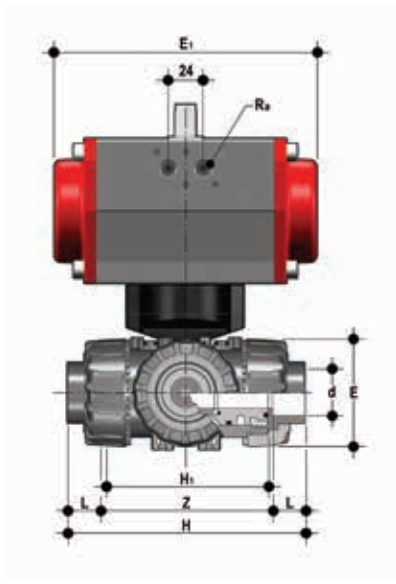
LKDFV/CP SA

3 way DUAL BLOCK® ball valve with gas cylinder thread female ends with pneumatic actuator, Single-acting function "L" ball

R	DN	PN	E	H	H ₁	L	Z	R ₀	E ₁	g	EPDM Code	FKM Code
3/8"	10	16	54	118	80	11.4	95	G1/8"	138	1543	LKDFVSA038E1	LKDFVSA038F1
1/2"	15	16	54	125	80	15	95	G1/8"	138	2143	LKDFVSA012E1	LKDFVSA012F1
3/4"	20	16	65	146	100	16.3	114	G1/4"	155.5	2386	LKDFVSA034E1	LKDFVSA034F1
1"	25	16	73	166	110	19.1	129	G1/4"	155.5	2659	LKDFVSA100E1	LKDFVSA100F1
1" 1/4	32	16	86	195.5	131	21.4	151	G1/4"	155.5	3113	LKDFVSA114E1	LKDFVSA114F1
1" 1/2	40	16	98	211	148	21.4	166	G1/4"	155.5	3460	LKDFVSA112E1	LKDFVSA112F1
2"	50	16	122	253.5	179	25.7	199	G1/4"	210	6154	LKDFVSA200E1	LKDFVSA200F1

DIMENSIONS

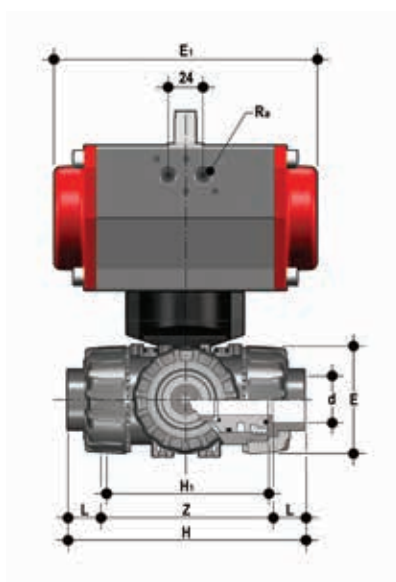
TKD/CP DN 10÷50 PVC-U



LKDLV/CP DA

3 way DUAL BLOCK® ball valve with female ends, BS series with pneumatic actuator, Double-Acting function. "L" ball

R	DN	PN	E	H	H ₁	L	Z	R ₀	E ₁	g	EPDM Code	FKM Code
3/8"	10	16	54	118	80	14.7	88.6	G1/8"	138	1413	LKDLVDA038E1	LKDLVDA038F1
1/2"	15	16	54	118	80	17	85	G1/8"	138	1943	LKDLVDA012E1	LKDLVDA012F1
3/4"	20	16	65	144.8	100	19	106.8	G1/4"	155.5	2186	LKDLVDA034E1	LKDLVDA034F1
1"	25	16	73	160	110	22.5	115	G1/4"	155.5	2409	LKDLVDA100E1	LKDLVDA100F1
1" 1/4	32	16	86	188.6	131	26	136.6	G1/4"	155.5	2913	LKDLVDA114E1	LKDLVDA114F1
1" 1/2	40	16	98	219.4	148	30.2	159	G1/4"	155.5	3260	LKDLVDA112E1	LKDLVDA112F1
2"	50	16	122	266.6	179	36.2	194.2	G1/4"	155.5	5684	LKDLVDA200E1	LKDLVDA200F1



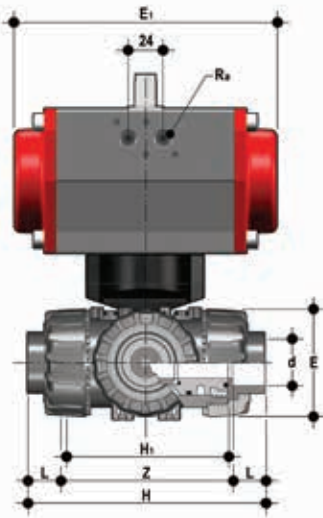
LKDLV/CP SA

3 way DUAL BLOCK® ball valve with female ends, BS series with pneumatic actuator, Single-acting function. "L" ball

R	DN	PN	E	H	H ₁	L	Z	R ₀	E ₁	g	EPDM Code	FKM Code
3/8"	10	16	54	118	80	14.7	88.6	G1/8"	138	1543	LKDLVSA038E1	LKDLVSA038F1
1/2"	15	16	54	118	80	17	85	G1/8"	138	2143	LKDLVSA012E1	LKDLVSA012F1
3/4"	20	16	65	144.8	100	19	106.8	G1/4"	155.5	2386	LKDLVSA034E1	LKDLVSA034F1
1"	25	16	73	160	110	22.5	115	G1/4"	155.5	2659	LKDLVSA100E1	LKDLVSA100F1
1" 1/4	32	16	86	188.6	131	26	136.6	G1/4"	155.5	3113	LKDLVSA114E1	LKDLVSA114F1
1" 1/2	40	16	98	219.4	148	30.2	159	G1/4"	155.5	3460	LKDLVSA112E1	LKDLVSA112F1
2"	50	16	122	266.6	179	36.2	194.2	G1/4"	210	6154	LKDLVSA200E1	LKDLVSA200F1

DIMENSIONS

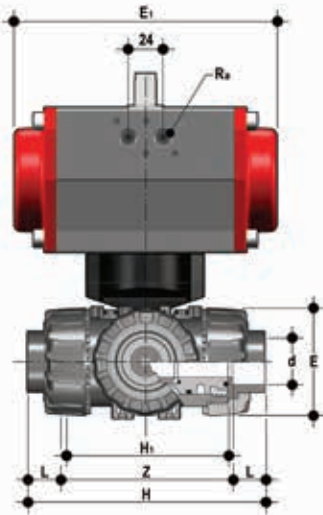
TKD/CP DN 10÷50 PVC-U



LKDAV/CP DA

3 way DUAL BLOCK® ball valve with female ends, ASTM series with pneumatic actuator, Double-Acting function. "L" ball

d	DN	PN	E	H	H ₁	L	Z	R _g	E ₁	g	EPDM Code	FKM Code
3/8"	10	16	54	132.2	80	19.5	93.2	G1/8"	138	1413	LKDAVDA038E1	LKDAVDA038F1
1/2"	15	16	54	132.2	80	23	86.2	G1/8"	138	1943	LKDAVDA012E1	LKDAVDA012F1
3/4"	20	16	65	159.2	100	25.5	108.2	G1/4"	155.5	2186	LKDAVDA034E1	LKDAVDA034F1
1"	25	16	73	174	110	28.7	116.6	G1/4"	155.5	2409	LKDAVDA100E1	LKDAVDA100F1
1" 1/4	32	16	86	205	131	32	141	G1/4"	155.5	2913	LKDAVDA114E1	LKDAVDA114F1
1" 1/2	40	16	98	227.6	148	35	157.6	G1/4"	155.5	3260	LKDAVDA112E1	LKDAVDA112F1
2"	50	16	122	267	179	38.2	190.6	G1/4"	155.5	5684	LKDAVDA200E1	LKDAVDA200F1



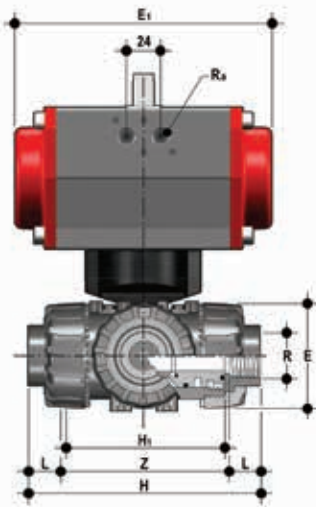
LKDAV/CP SA

3 way DUAL BLOCK® ball valve with female ends, ASTM series with pneumatic actuator, Single-acting function. "L" ball

d	DN	PN	E	H	H ₁	L	Z	R _g	E ₁	g	EPDM Code	FKM Code
3/8"	10	16	54	132.2	80	19.5	93.2	G1/8"	138	1543	LKDAVSA038E1	LKDAVSA038F1
1/2"	15	16	54	132.2	80	23	86.2	G1/8"	138	2143	LKDAVSA012E1	LKDAVSA012F1
3/4"	20	16	65	159.2	100	25.5	108.2	G1/4"	155.5	2386	LKDAVSA034E1	LKDAVSA034F1
1"	25	16	73	174	110	28.7	116.6	G1/4"	155.5	2659	LKDAVSA100E1	LKDAVSA100F1
1" 1/4	32	16	86	205	131	32	141	G1/4"	155.5	3113	LKDAVSA114E1	LKDAVSA114F1
1" 1/2	40	16	98	227.6	148	35	157.6	G1/4"	155.5	3460	LKDAVSA112E1	LKDAVSA112F1
2"	50	16	122	267	179	38.2	190.6	G1/4"	210	6154	LKDAVSA200E1	LKDAVSA200F1

DIMENSIONS

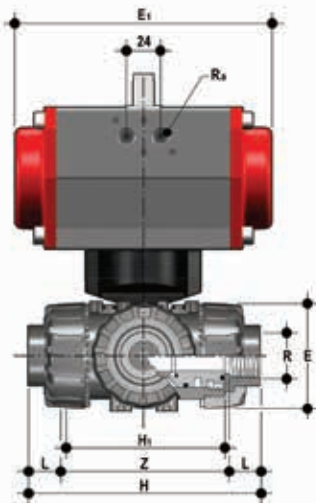
TKD/CP DN 10÷50 PVC-U



LKDNV/CP DA

3 way DUAL BLOCK® ball valve with NPT thread female ends with pneumatic actuator, Double-Acting function. "L" ball

R	DN	PN	E	H	H ₁	L	Z	R ₀	E ₁	g	EPDM Code	FKM Code
3/8"	10	16	54	118	80	13.7	90.6	G1/8"	138	1413	LKDNVDA038E1	LKDNVDA038F1
1/2"	15	16	54	126	80	18	90.4	G1/8"	138	1943	LKDNVDA012E1	LKDNVDA012F1
3/4"	20	16	65	146.4	100	18	110.4	G1/4"	155.5	2186	LKDNVDA034E1	LKDNVDA034F1
1"	25	16	73	166.6	110	22.6	121.4	G1/4"	155.5	2409	LKDNVDA100E1	LKDNVDA100F1
1" 1/4	32	16	86	195.8	131	25.1	145.6	G1/4"	155.5	2913	LKDNVDA114E1	LKDNVDA114F1
1" 1/2	40	16	98	211.4	148	24.7	162	G1/4"	155.5	3260	LKDNVDA112E1	LKDNVDA112F1
2"	50	16	122	253.8	179	29.6	194.6	G1/4"	155.5	5684	LKDNVDA200E1	LKDNVDA200F1



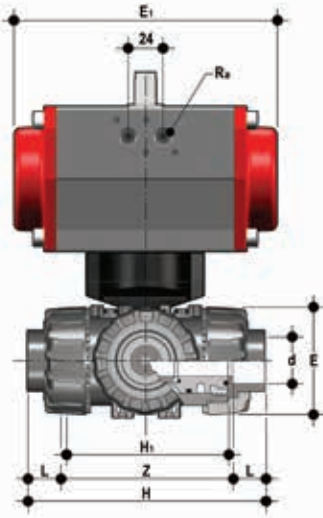
LKDNV/CP SA

3 way DUAL BLOCK® ball valve with NPT thread female ends with pneumatic actuator, Single-acting function. "L" ball

R	DN	PN	E	H	H ₁	L	Z	R ₀	E ₁	g	EPDM Code	FKM Code
3/8"	10	16	54	118	80	13.7	90.6	G1/8"	138	1543	LKDNVSA038E1	LKDNVSA038F1
1/2"	15	16	54	126	80	18	90.4	G1/8"	138	2143	LKDNVSA012E1	LKDNVSA012F1
3/4"	20	16	65	146.4	100	18	110.4	G1/4"	155.5	2386	LKDNVSA034E1	LKDNVSA034F1
1"	25	16	73	166.6	110	22.6	121.4	G1/4"	155.5	2659	LKDNVSA100E1	LKDNVSA100F1
1" 1/4	32	16	86	195.8	131	25.1	145.6	G1/4"	155.5	3113	LKDNVSA114E1	LKDNVSA114F1
1" 1/2	40	16	98	211.4	148	24.7	162	G1/4"	155.5	3460	LKDNVSA112E1	LKDNVSA112F1
2"	50	16	122	253.8	179	29.6	194.6	G1/4"	210	6154	LKDNVSA200E1	LKDNVSA200F1

DIMENSIONS

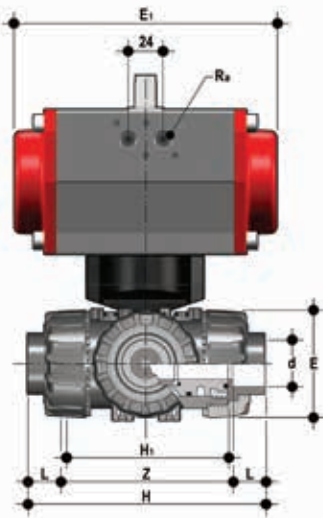
TKD/CP DN 10÷50 PVC-U



LKDJV/CP DA

3 way DUAL BLOCK® ball valve with female ends, JIS series, Double-Acting function. "L" ball

d	DN	PN	E	H	H ₁	L	Z	R _a	E ₁	g	EPDM Code	FKM Code
1/2"	15	16	54	146	80	30	86	G1/8"	138	1943	LKDJVDA012E1	LKDJVDA012F1
3/4"	20	16	65	177	100	35	107	G1/4"	155.5	2186	LKDJVDA034E1	LKDJVDA034F1
1"	25	16	73	196	110	40	116	G1/4"	155.5	2409	LKDJVDA100E1	LKDJVDA100F1
1" 1/4	32	16	86	225	131	44	137	G1/4"	155.5	2913	LKDJVDA114E1	LKDJVDA114F1
1" 1/2	40	16	98	267.2	148	55	157.2	G1/4"	155.5	3260	LKDJVDA112E1	LKDJVDA112F1
2"	50	16	122	316	179	63	190	G1/4"	155.5	5684	LKDJVDA200E1	LKDJVDA200F1



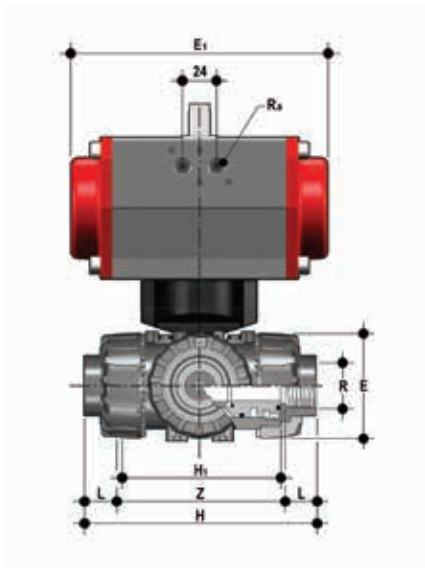
LKDJV/CP SA

3 way DUAL BLOCK® ball valve with female ends, JIS series, Single-acting function. "L" ball

d	DN	PN	E	H	H ₁	L	Z	R _a	E ₁	g	EPDM Code	FKM Code
1/2"	15	16	54	146	80	30	86	G1/8"	138	2143	LKDJVSA012E1	LKDJVSA012F1
3/4"	20	16	65	177	100	35	107	G1/4"	155.5	2386	LKDJVSA034E1	LKDJVSA034F1
1"	25	16	73	196	110	40	116	G1/4"	155.5	2659	LKDJVSA100E1	LKDJVSA100F1
1" 1/4	32	16	86	225	131	44	137	G1/4"	155.5	3113	LKDJVSA114E1	LKDJVSA114F1
1" 1/2	40	16	98	267.2	148	55	157.2	G1/4"	155.5	3460	LKDJVSA112E1	LKDJVSA112F1
2"	50	16	122	316	179	63	190	G1/4"	210	6154	LKDJVSA200E1	LKDJVSA200F1

DIMENSIONS

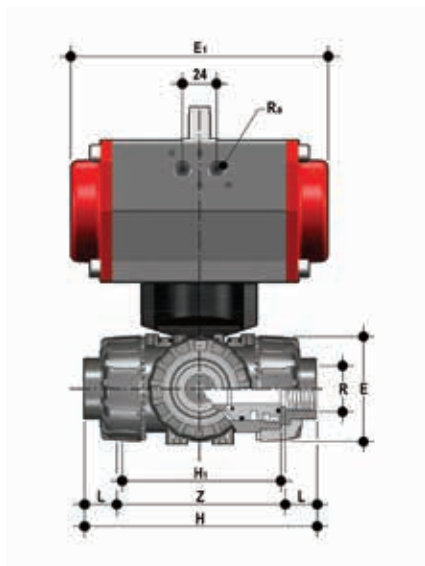
TKD/CP DN 10÷50 PVC-U



LKDG/CP DA

3 way DUAL BLOCK® ball valve with female ends, JIS thread, Double-Acting function. "L" ball

R	DN	PN	E	H	H ₁	L	Z	R _b	E ₁	g	EPDM Code	FKM Code
1/2"	15	16	54	118	80	16	86	G1/8"	138	1943	LKDGVDA012E1	LKDGVDA012F1
3/4"	20	16	65	144.8	100	19	106.8	G1/4"	155.5	2186	LKDGVDA034E1	LKDGVDA034F1
1"	25	16	73	160	110	22	116	G1/4"	155.5	2409	LKDGVDA100E1	LKDGVDA100F1
1" 1/4	32	16	86	188.6	131	25	138.6	G1/4"	155.5	2913	LKDGVDA114E1	LKDGVDA114F1
1" 1/2	40	16	98	219.4	148	26	167.4	G1/4"	155.5	3260	LKDGVDA112E1	LKDGVDA112F1
2"	50	16	122	166.6	179	31	204.6	G1/4"	155.5	5684	LKDGVDA200E1	LKDGVDA200F1



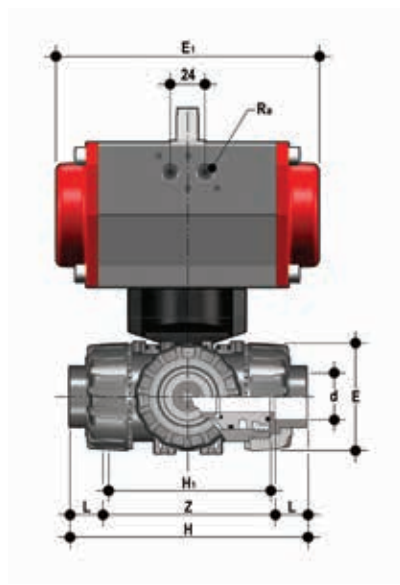
LKDG/CP SA

3 way DUAL BLOCK® ball valve with female ends, JIS thread, Single-acting function. "L" ball

R	DN	PN	E	H	H ₁	L	Z	R _b	E ₁	g	EPDM Code	FKM Code
1/2"	15	16	54	118	80	16	86	G1/8"	138	2143	LKDGVSA012E1	LKDGVSA012F1
3/4"	20	16	65	144.8	100	19	106.8	G1/4"	155.5	2386	LKDGVSA034E1	LKDGVSA034F1
1"	25	16	73	160	110	22	116	G1/4"	155.5	2659	LKDGVSA100E1	LKDGVSA100F1
1" 1/4	32	16	86	188.6	131	25	138.6	G1/4"	155.5	3113	LKDGVSA114E1	LKDGVSA114F1
1" 1/2	40	16	98	219.4	148	26	167.4	G1/4"	155.5	3460	LKDGVSA112E1	LKDGVSA112F1
2"	50	16	122	166.6	179	31	204.6	G1/4"	210	6154	LKDGVSA200E1	LKDGVSA200F1

DIMENSIONS

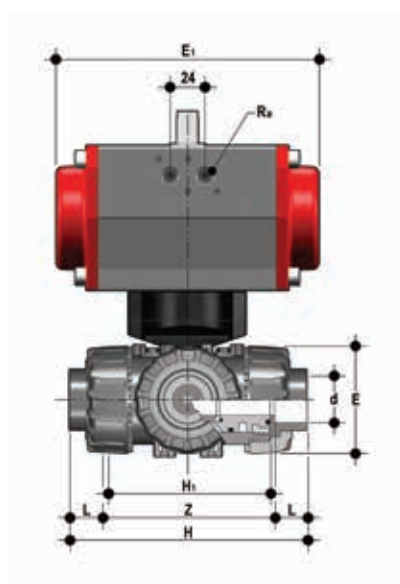
TKD/CP DN 10÷50 PVC-C



TKDIC/CP DA

3 way DUAL BLOCK® ball valve with female ends for solvent welding, metric series with pneumatic actuator, Double-Acting function "T" ball, configuration 1

d	DN	PN	E	H	H ₁	L	Z	R _g	E ₁	g	EPDM Code	FKM Code
16	10	16	54	118	80	14	90	G1/8"	138	1442	TKDICDA016E1	TKDICDA016F1
20	15	16	54	118	80	16	86	G1/8"	138	1972	TKDICDA020E1	TKDICDA020F1
25	20	16	65	145	100	19	107	G1/4"	155.5	2236	TKDICDA025E1	TKDICDA025F1
32	25	16	73	160	110	22	116	G1/4"	155.5	2532	TKDICDA032E1	TKDICDA032F1
40	32	16	86	188.5	131	26	136.5	G1/4"	155.5	3025	TKDICDA040E1	TKDICDA040F1
50	40	16	98	219	148	31	157	G1/4"	155.5	3410	TKDICDA050E1	TKDICDA050F1
63	50	16	122	266.5	179	38	190.5	G1/4"	155.5	5944	TKDICDA063E1	TKDICDA063F1



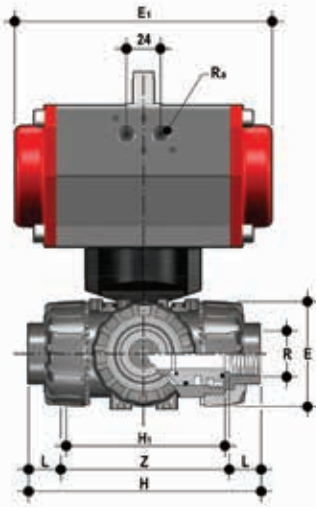
TKDIC/CP SA

3 way DUAL BLOCK® ball valve with female ends for solvent welding, metric series with pneumatic actuator, Single-acting function "T" ball, configuration 1

d	DN	PN	E	H	H ₁	L	Z	R _g	E ₁	g	EPDM Code	FKM Code
16	10	16	54	118	80	14	90	G1/8"	138	1562	TKDICSA016E1	TKDICSA016F1
20	15	16	54	118	80	16	86	G1/8"	138	2172	TKDICSA020E1	TKDICSA020F1
25	20	16	65	145	100	19	107	G1/4"	155.5	2436	TKDICSA025E1	TKDICSA025F1
32	25	16	73	160	110	22	116	G1/4"	155.5	2732	TKDICSA032E1	TKDICSA032F1
40	32	16	86	188.5	131	26	136.5	G1/4"	155.5	3225	TKDICSA040E1	TKDICSA040F1
50	40	16	98	219	148	31	157	G1/4"	155.5	3610	TKDICSA050E1	TKDICSA050F1
63	50	16	122	266.5	179	38	190.5	G1/4"	210	6414	TKDICSA063E1	TKDICSA063F1

DIMENSIONS

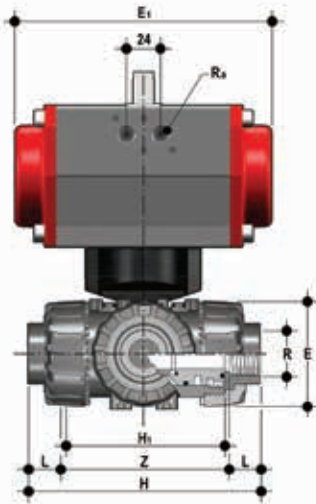
TKD/CP DN 10÷50 PVC-C



TKDNC/CP DA

3 way DUAL BLOCK® ball valve with NPT thread female ends with pneumatic actuator, Double-Acting function. "T" ball, configuration 1

R	DN	PN	E	H	H ₁	L	Z	R ₀	E ₁	g	EPDM Code	FKM Code
3/8"	10	16	54	118	80	13.7	90.6	G1/8"	138	1442	TKDNCDA038E1	TKDNCDA038F1
1/2"	15	16	54	126	80	18	90.4	G1/8"	138	1972	TKDNCDA012E1	TKDNCDA012F1
3/4"	20	16	65	146.4	100	18	110.4	G1/4"	155.5	2236	TKDNCDA034E1	TKDNCDA034F1
1"	25	16	73	166.6	110	22.6	121.4	G1/4"	155.5	2532	TKDNCDA100E1	TKDNCDA100F1
1" 1/4	32	16	86	195.8	131	25.1	145.6	G1/4"	155.5	3025	TKDNCDA114E1	TKDNCDA114F1
1" 1/2	40	16	98	211.4	148	24.7	162	G1/4"	155.5	3410	TKDNCDA112E1	TKDNCDA112F1
2"	50	16	122	253.8	179	29.6	194.6	G1/4"	155.5	5944	TKDNCDA200E1	TKDNCDA200F1



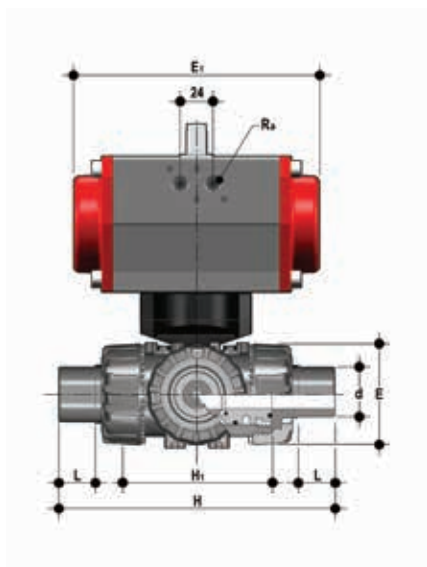
TKDNC/CP SA

3 way DUAL BLOCK® ball valve with NPT thread female ends with pneumatic actuator, Single-acting function. "T" ball, configuration 1

R	DN	PN	E	H	H ₁	L	Z	R ₀	E ₁	g	EPDM Code	FKM Code
3/8"	10	16	54	118	80	13.7	90.6	G1/8"	138	1562	TKDNCSA038E1	TKDNCSA038F1
1/2"	15	16	54	126	80	18	90.4	G1/8"	138	2172	TKDNCSA012E1	TKDNCSA012F1
3/4"	20	16	65	146.4	100	18	110.4	G1/4"	155.5	2436	TKDNCSA034E1	TKDNCSA034F1
1"	25	16	73	166.6	110	22.6	121.4	G1/4"	155.5	2732	TKDNCSA100E1	TKDNCSA100F1
1" 1/4	32	16	86	195.8	131	25.1	145.6	G1/4"	155.5	3225	TKDNCSA114E1	TKDNCSA114F1
1" 1/2	40	16	98	211.4	148	24.7	162	G1/4"	155.5	3610	TKDNCSA112E1	TKDNCSA112F1
2"	50	16	122	253.8	179	29.6	194.6	G1/4"	210	6414	TKDNCSA200E1	TKDNCSA200F1

DIMENSIONS

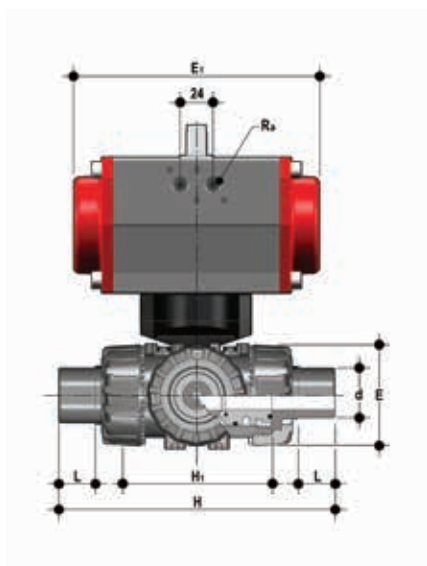
TKD/CP DN 10÷50 PVC-C



TKDDC/CP DA

3 way DUAL BLOCK® ball valve with male metric ends with pneumatic actuator, Double-Acting function. "T" ball, configuration 1

d	DN	PN	E	H	H ₁	L	R _o	E ₁	g	EPDM Code	FKM Code
20	15	16	54	140	80	16	G1/8"	138	1972	TKDDCDA020E1	TKDDCDA020F1
25	20	16	65	175	100	19	G1/8"	155.5	2236	TKDDCDA025E1	TKDDCDA025F1
32	25	16	73	188	110	22	G1/8"	155.5	2532	TKDDCDA032E1	TKDDCDA032F1
40	32	16	86	220	131	26	G1/4"	155.5	3025	TKDDCDA040E1	TKDDCDA040F1
50	40	16	98	251	148	31	G1/4"	155.5	3410	TKDDCDA050E1	TKDDCDA050F1
63	50	16	122	294	179	38	G1/4"	155.5	5944	TKDDCDA063E1	TKDDCDA063F1



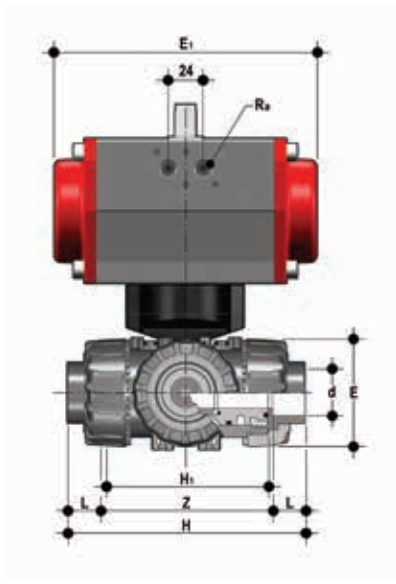
TKDDC/CP SA

3 way DUAL BLOCK® ball valve with male metric ends with pneumatic actuator, Single-acting function. "T" ball, configuration 1

d	DN	PN	E	H	H ₁	L	R _o	E ₁	g	EPDM Code	FKM Code
20	15	16	54	140	80	16	G1/8"	138	2172	TKDDCSA020E1	TKDDCSA020F1
25	20	16	65	175	100	19	G1/8"	155.5	2436	TKDDCSA025E1	TKDDCSA025F1
32	25	16	73	188	110	22	G1/8"	155.5	2732	TKDDCSA032E1	TKDDCSA032F1
40	32	16	86	220	131	26	G1/4"	155.5	3225	TKDDCSA040E1	TKDDCSA040F1
50	40	16	98	251	148	31	G1/4"	155.5	3610	TKDDCSA050E1	TKDDCSA050F1
63	50	16	122	294	179	38	G1/4"	155.5	6414	TKDDCSA063E1	TKDDCSA063F1

DIMENSIONS

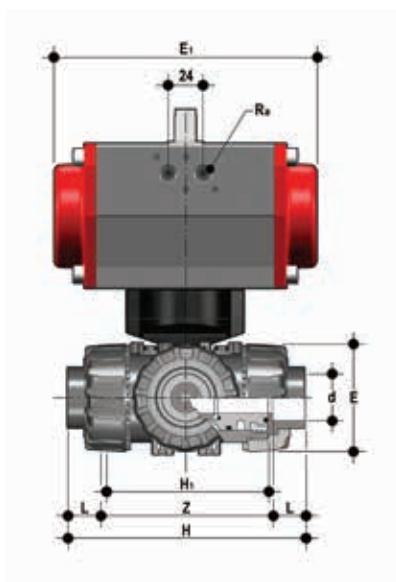
TKD/CP DN 10÷50 PVC-C



TKDAC/CP DA

3 way DUAL BLOCK® ball valve with female ends for solvent welding, ASTM series with pneumatic actuator, Double-Acting function. "T" ball, configuration 1

d	DN	PN	E	H	H ₁	L	Z	R _g	E ₁	g	EPDM Code	FKM Code
3/8"	10	16	54	132.2	80	19.5	93.2	G1/8"	138	1442	TKDACDA038E1	TKDACDA038F1
1/2"	15	16	54	132.2	80	23	86.2	G1/8"	138	1972	TKDACDA012E1	TKDACDA012F1
3/4"	20	16	65	159.2	100	25.5	108.2	G1/4"	155.5	2236	TKDACDA034E1	TKDACDA034F1
1"	25	16	73	174	110	28.7	116.6	G1/4"	155.5	2532	TKDACDA100E1	TKDACDA100F1
1" 1/4	32	16	86	205	131	32	141	G1/4"	155.5	3025	TKDACDA114E1	TKDACDA114F1
1" 1/2	40	16	98	227.6	148	35	157.6	G1/4"	155.5	3410	TKDACDA112E1	TKDACDA112F1
2"	50	16	122	267	179	38.2	190.6	G1/4"	155.5	5944	TKDACDA200E1	TKDACDA200F1



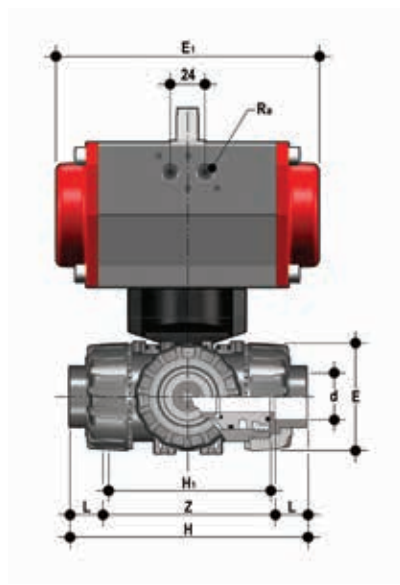
TKDAC/CP SA

3 way DUAL BLOCK® ball valve with female ends for solvent welding, ASTM series with pneumatic actuator, Single-acting function. "T" ball, configuration 1

d	DN	PN	E	H	H ₁	L	Z	R _g	E ₁	g	EPDM Code	FKM Code
3/8"	10	16	54	132.2	80	19.5	93.2	G1/8"	138	1562	TKDACSA038E1	TKDACSA038F1
1/2"	15	16	54	132.2	80	23	86.2	G1/8"	138	2172	TKDACSA012E1	TKDACSA012F1
3/4"	20	16	65	159.2	100	25.5	108.2	G1/4"	155.5	2436	TKDACSA034E1	TKDACSA034F1
1"	25	16	73	174	110	28.7	116.6	G1/4"	155.5	2732	TKDACSA100E1	TKDACSA100F1
1" 1/4	32	16	86	205	131	32	141	G1/4"	155.5	3225	TKDACSA114E1	TKDACSA114F1
1" 1/2	40	16	98	227.6	148	35	157.6	G1/4"	155.5	3610	TKDACSA112E1	TKDACSA112F1
2"	50	16	122	267	179	38.2	190.6	G1/4"	210	6414	TKDACSA200E1	TKDACSA200F1

DIMENSIONS

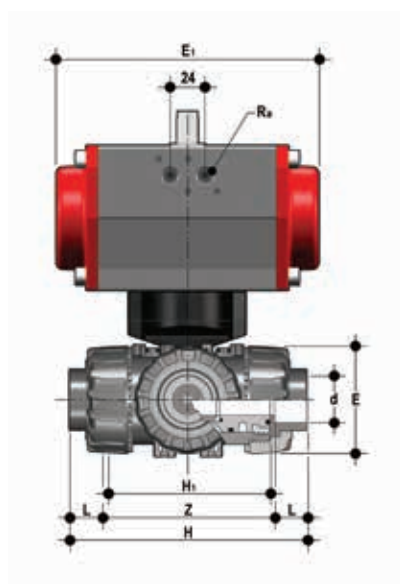
TKD/CP DN 10÷50 PVC-C



LKDIC/CP DA

3 way DUAL BLOCK® ball valve with female ends for solvent welding, metric series with pneumatic actuator, Double-Acting function "L" ball

d	DN	PN	E	H	H ₁	L	Z	R _a	E ₁	g	EPDM Code	FKM Code
16	10	16	54	118	80	14	90	G1/8"	138	1442	LKDICDA016E1	LKDICDA016F1
20	15	16	54	118	80	16	86	G1/8"	138	1972	LKDICDA020E1	LKDICDA020F1
25	20	16	65	145	100	19	107	G1/4"	155.5	2236	LKDICDA025E1	LKDICDA025F1
32	25	16	73	160	110	22	116	G1/4"	155.5	2532	LKDICDA032E1	LKDICDA032F1
40	32	16	86	188.5	131	26	136.5	G1/4"	155.5	3025	LKDICDA040E1	LKDICDA040F1
50	40	16	98	219	148	31	157	G1/4"	155.5	3410	LKDICDA050E1	LKDICDA050F1
63	50	16	122	266.5	179	38	190.5	G1/4"	155.5	5944	LKDICDA063E1	LKDICDA063F1



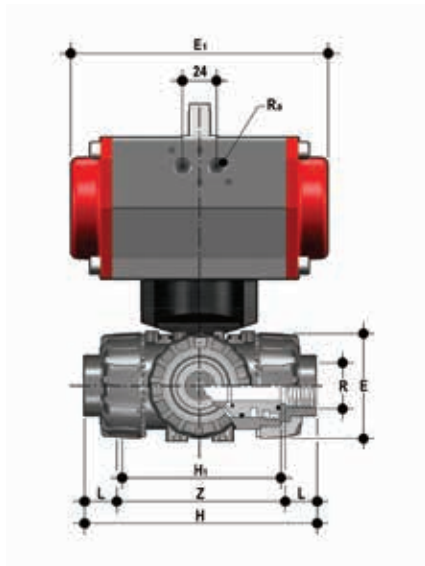
LKDIC/CP SA

3 way DUAL BLOCK® ball valve with female ends for solvent welding, metric series with pneumatic actuator, Single-acting function "L" ball

d	DN	PN	E	H	H ₁	L	Z	R _a	E ₁	g	EPDM Code	FKM Code
16	10	16	54	118	80	14	90	G1/8"	138	1562	LKDICSA016E1	LKDICSA016F1
20	15	16	54	118	80	16	86	G1/8"	138	2172	LKDICSA020E1	LKDICSA020F1
25	20	16	65	145	100	19	107	G1/4"	155.5	2436	LKDICSA025E1	LKDICSA025F1
32	25	16	73	160	110	22	116	G1/4"	155.5	2732	LKDICSA032E1	LKDICSA032F1
40	32	16	86	188.5	131	26	136.5	G1/4"	155.5	3225	LKDICSA040E1	LKDICSA040F1
50	40	16	98	219	148	31	157	G1/4"	155.5	3610	LKDICSA050E1	LKDICSA050F1
63	50	16	122	266.5	179	38	190.5	G1/4"	210	6414	LKDICSA063E1	LKDICSA063F1

DIMENSIONS

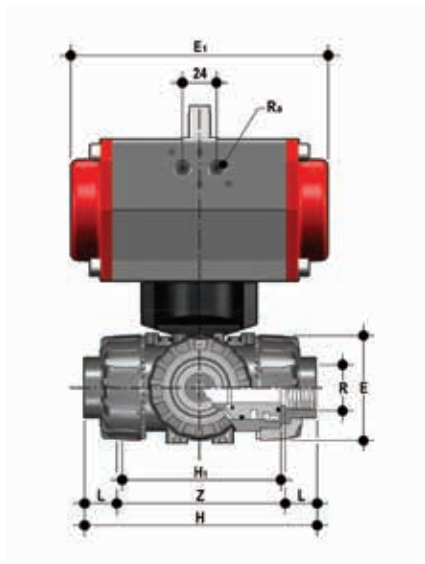
TKD/CP DN 10÷50 PVC-C



LKDNC/CP DA

3 way DUAL BLOCK® ball valve with NPT thread female ends with pneumatic actuator, Double-Acting function. "L" ball

R	DN	PN	E	H	H ₁	L	Z	R ₀	E ₁	g	EPDM Code	FKM Code
3/8"	10	16	54	118	80	13.7	90.6	G1/8"	138	1442	LKDNCDA038E1	LKDNCDA038F1
1/2"	15	16	54	126	80	18	90.4	G1/8"	138	1972	LKDNCDA012E1	LKDNCDA012F1
3/4"	20	16	65	146.4	100	18	110.4	G1/4"	155.5	2236	LKDNCDA034E1	LKDNCDA034F1
1"	25	16	73	166.6	110	22.6	121.4	G1/4"	155.5	2532	LKDNCDA100E1	LKDNCDA100F1
1" 1/4	32	16	86	195.8	131	25.1	145.6	G1/4"	155.5	3025	LKDNCDA114E1	LKDNCDA114F1
1" 1/2	40	16	98	211.4	148	24.7	162	G1/4"	155.5	3410	LKDNCDA112E1	LKDNCDA112F1
2"	50	16	122	253.8	179	29.6	194.6	G1/4"	155.5	5944	LKDNCDA200E1	LKDNCDA200F1



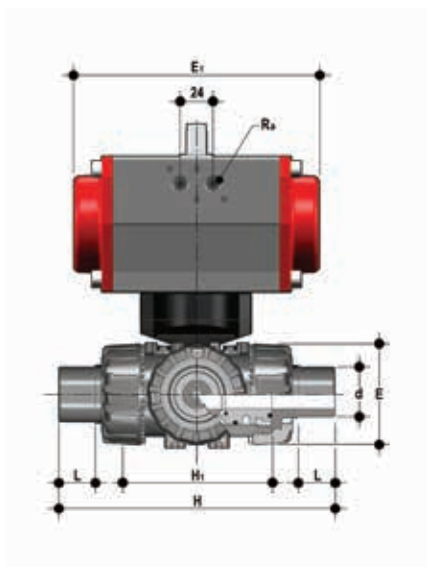
LKDNC/CP SA

3 way DUAL BLOCK® ball valve with NPT thread female ends with pneumatic actuator, Single-acting function. "L" ball

R	DN	PN	E	H	H ₁	L	Z	R ₀	E ₁	g	EPDM Code	FKM Code
3/8"	10	16	54	118	80	13.7	90.6	G1/8"	138	1562	LKDNCSA038E1	LKDNCSA038F1
1/2"	15	16	54	126	80	18	90.4	G1/8"	138	2172	LKDNCSA012E1	LKDNCSA012F1
3/4"	20	16	65	146.4	100	18	110.4	G1/4"	155.5	2436	LKDNCSA034E1	LKDNCSA034F1
1"	25	16	73	166.6	110	22.6	121.4	G1/4"	155.5	2732	LKDNCSA100E1	LKDNCSA100F1
1" 1/4	32	16	86	195.8	131	25.1	145.6	G1/4"	155.5	3225	LKDNCSA114E1	LKDNCSA114F1
1" 1/2	40	16	98	211.4	148	24.7	162	G1/4"	155.5	3610	LKDNCSA112E1	LKDNCSA112F1
2"	50	16	122	253.8	179	29.6	194.6	G1/4"	210	6414	LKDNCSA200E1	LKDNCSA200F1

DIMENSIONS

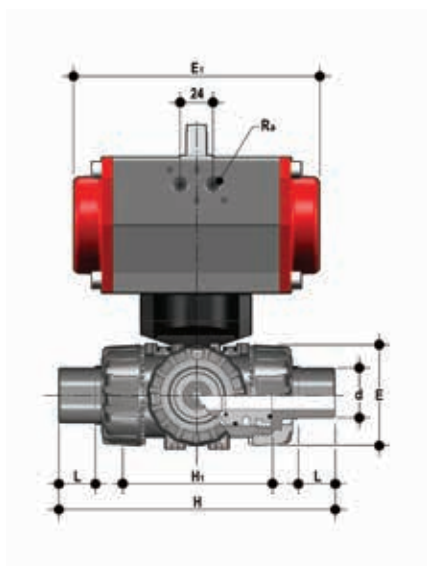
TKD/CP DN 10÷50 PVC-C



LKDDC/CP DA

3 way DUAL BLOCK® ball valve with male metric ends with pneumatic actuator, Double-Acting function. "L" ball

d	DN	PN	E	H	H ₁	L	R _o	E ₁	g	EPDM Code	FKM Code
20	15	16	54	140	80	16	G1/8"	138	1972	LKDDCDA020E1	LKDDCDA020F1
25	20	16	65	175	100	19	G1/8"	155.5	2236	LKDDCDA025E1	LKDDCDA025F1
32	25	16	73	188	110	22	G1/8"	155.5	2532	LKDDCDA032E1	LKDDCDA032F1
40	32	16	86	220	131	26	G1/4"	155.5	3025	LKDDCDA040E1	LKDDCDA040F1
50	40	16	98	251	148	31	G1/4"	155.5	3410	LKDDCDA050E1	LKDDCDA050F1
63	50	16	122	294	179	38	G1/4"	155.5	5944	LKDDCDA063E1	LKDDCDA063F1



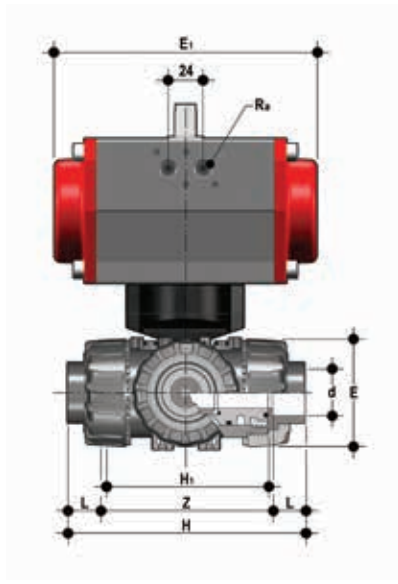
LKDDC/CP SA

3 way DUAL BLOCK® ball valve with male metric ends with pneumatic actuator, Single-acting function. "L" ball

d	DN	PN	E	H	H ₁	L	R _o	E ₁	g	EPDM Code	FKM Code
20	15	16	54	140	80	16	G1/8"	138	2172	LKDDCSA020E1	LKDDCSA020F1
25	20	16	65	175	100	19	G1/8"	155.5	2436	LKDDCSA025E1	LKDDCSA025F1
32	25	16	73	188	110	22	G1/8"	155.5	2732	LKDDCSA032E1	LKDDCSA032F1
40	32	16	86	220	131	26	G1/4"	155.5	3225	LKDDCSA040E1	LKDDCSA040F1
50	40	16	98	251	148	31	G1/4"	155.5	3610	LKDDCSA050E1	LKDDCSA050F1
63	50	16	122	294	179	38	G1/4"	155.5	6414	LKDDCSA063E1	LKDDCSA063F1

DIMENSIONS

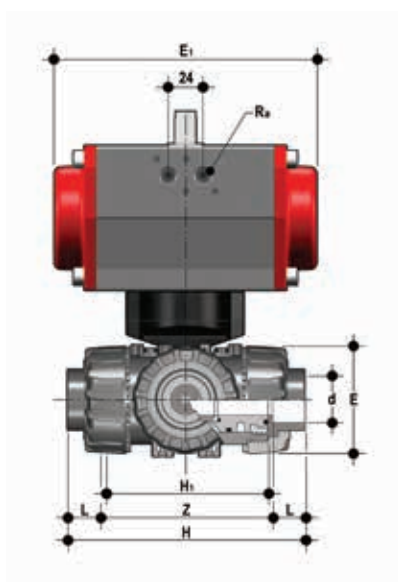
TKD/CP DN 10÷50 PVC-C



LKDAC/CP DA

3 way DUAL BLOCK® ball valve with female ends for solvent welding, ASTM series with pneumatic actuator, Double-Acting function. "L" ball

d	DN	PN	E	H	H ₁	L	Z	R ₀	E ₁	g	EPDM Code	FKM Code
3/8"	10	16	54	132.2	80	19.5	93.2	G1/8"	138	1442	LKDACDA038E1	LKDACDA038F1
1/2"	15	16	54	132.2	80	23	86.2	G1/8"	138	1972	LKDACDA012E1	LKDACDA012F1
3/4"	20	16	65	159.2	100	25.5	108.2	G1/4"	155.5	2236	LKDACDA034E1	LKDACDA034F1
1"	25	16	73	174	110	28.7	116.6	G1/4"	155.5	2532	LKDACDA100E1	LKDACDA100F1
1" 1/4	32	16	86	205	131	32	141	G1/4"	155.5	3025	LKDACDA114E1	LKDACDA114F1
1" 1/2	40	16	98	227.6	148	35	157.6	G1/4"	155.5	3410	LKDACDA112E1	LKDACDA112F1
2"	50	16	122	267	179	38.2	190.6	G1/4"	155.5	5944	LKDACDA200E1	LKDACDA200F1



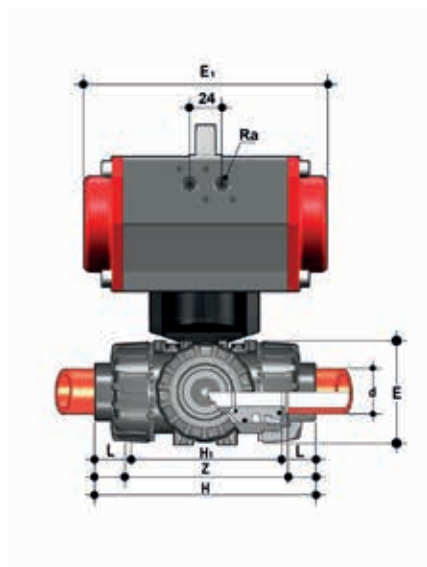
LKDAC/CP SA

3 way DUAL BLOCK® ball valve with female ends for solvent welding, ASTM series with pneumatic actuator, Single-acting function. "L" ball

d	DN	PN	E	H	H ₁	L	Z	R ₀	E ₁	g	EPDM Code	FKM Code
3/8"	10	16	54	132.2	80	19.5	93.2	G1/8"	138	1562	LKDACSA038E1	LKDACSA038F1
1/2"	15	16	54	132.2	80	23	86.2	G1/8"	138	2172	LKDACSA012E1	LKDACSA012F1
3/4"	20	16	65	159.2	100	25.5	108.2	G1/4"	155.5	2436	LKDACSA034E1	LKDACSA034F1
1"	25	16	73	174	110	28.7	116.6	G1/4"	155.5	2732	LKDACSA100E1	LKDACSA100F1
1" 1/4	32	16	86	205	131	32	141	G1/4"	155.5	3225	LKDACSA114E1	LKDACSA114F1
1" 1/2	40	16	98	227.6	148	35	157.6	G1/4"	155.5	3610	LKDACSA112E1	LKDACSA112F1
2"	50	16	122	267	179	38.2	190.6	G1/4"	210	6414	LKDACSA200E1	LKDACSA200F1

DIMENSIONS

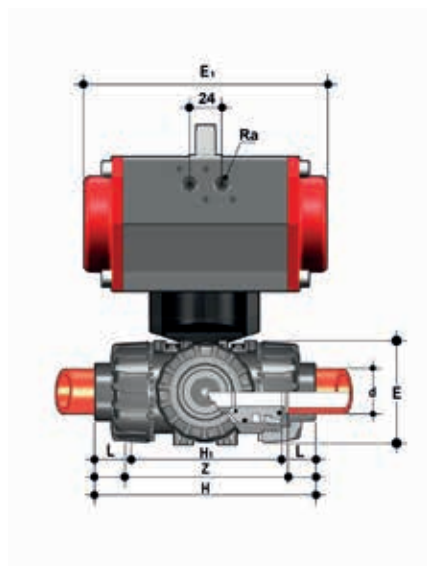
TKD/CP DN 10÷50 PP-H



TKDIM/CP DA

3 way DUAL BLOCK® ball valve with female ends for socket welding with electric actuator, Double-Acting function "T" ball, configuration 1

d	DN	PN	E	H	H ₁	Z	R ₀	E ₁	g	EPDM Code	FKM Code
16	10	10	54	118	80	90	G1/8"	138	1298	TKDIMDA016E1	TKDIMDA016F1
20	15	10	54	117	80	88	G1/8"	138	1828	TKDIMDA020E1	TKDIMDA020F1
25	20	10	65	144	100	112	G1/4"	155.5	1986	TKDIMDA025E1	TKDIMDA025F1
32	25	10	73	158	110	122	G1/4"	155.5	2174	TKDIMDA032E1	TKDIMDA032F1
40	32	10	86	184	131	143	G1/4"	155.5	2458	TKDIMDA040E1	TKDIMDA040F1
50	40	10	98	219	148	172	G1/4"	155.5	2670	TKDIMDA050E1	TKDIMDA050F1
63	50	10	122	267	179	212	G1/4"	155.5	4679	TKDIMDA063E1	TKDIMDA063F1



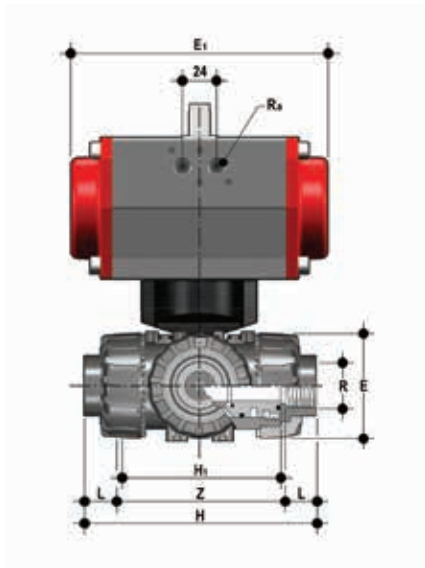
TKDIM/CP SA

3 way DUAL BLOCK® ball valve with female ends for socket welding with electric actuator, Single-acting function "T" ball, configuration 1

d	DN	PN	E	H	H ₁	Z	R ₀	E ₁	g	EPDM Code	FKM Code
16	10	10	54	118	80	90	G1/8"	138	1428	TKDIMSA016E1	TKDIMSA016F1
20	15	10	54	117	80	88	G1/8"	138	2028	TKDIMSA020E1	TKDIMSA020F1
25	20	10	65	144	100	112	G1/4"	155.5	2186	TKDIMSA025E1	TKDIMSA025F1
32	25	10	73	158	110	122	G1/4"	155.5	2374	TKDIMSA032E1	TKDIMSA032F1
40	32	10	86	184	131	143	G1/4"	155.5	2658	TKDIMSA040E1	TKDIMSA040F1
50	40	10	98	219	148	172	G1/4"	155.5	2870	TKDIMSA050E1	TKDIMSA050F1
63	50	10	122	267	179	212	G1/4"	210	5149	TKDIMSA063E1	TKDIMSA063F1

DIMENSIONS

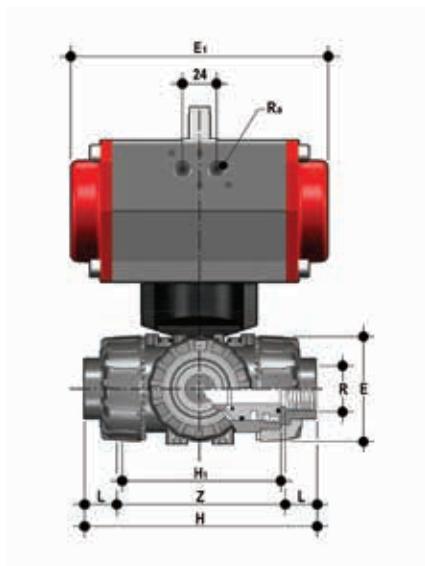
TKD/CP DN 10÷50 PP-H



TKDFM/CP DA

3 way DUAL BLOCK® ball valve with gas cylinder thread female ends with pneumatic actuator, Double-Acting function "T" ball, configuration 1

R	DN	PN	E	H	H ₁	L	Z	R _s	E ₁	g	EPDM Code	FKM Code
1/2"	15	10	54	117	80	15	87	G1/8"	138	1828	TKDFMDA012E1	TKDFMDA012F1
3/4"	20	10	65	143	100	16	114	G1/4"	155.5	1986	TKDFMDA034E1	TKDFMDA034F1
1"	25	10	73	157	110	19	120	G1/4"	155.5	2174	TKDFMDA100E1	TKDFMDA100F1
1" 1/4	32	10	86	185	131	21	140	G1/4"	155.5	2458	TKDFMDA114E1	TKDFMDA114F1
1" 1/2	40	10	98	217	148	21	172	G1/4"	155.5	2670	TKDFMDA112E1	TKDFMDA112F1
2"	50	10	122	266	179	26	211	G1/4"	155.5	4679	TKDFMDA200E1	TKDFMDA200F1



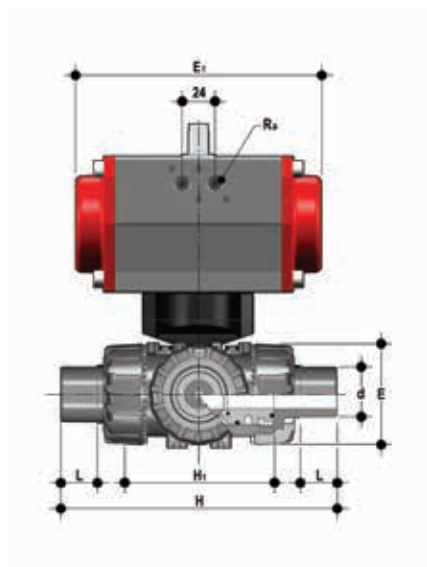
TKDFM/CP SA

3 way DUAL BLOCK® ball valve with gas cylinder thread female ends with pneumatic actuator, Single-acting function "T" ball, configuration 1

R	DN	PN	E	H	H ₁	L	Z	R _s	E ₁	g	EPDM Code	FKM Code
1/2"	15	10	54	117	80	15	87	G1/8"	138	2028	TKDFMSA012E1	TKDFMSA012F1
3/4"	20	10	65	143	100	16	114	G1/4"	155.5	2186	TKDFMSA034E1	TKDFMSA034F1
1"	25	10	73	157	110	19	120	G1/4"	155.5	2374	TKDFMSA100E1	TKDFMSA100F1
1" 1/4	32	10	86	185	131	21	140	G1/4"	155.5	2658	TKDFMSA114E1	TKDFMSA114F1
1" 1/2	40	10	98	217	148	21	172	G1/4"	155.5	2870	TKDFMSA112E1	TKDFMSA112F1
2"	50	10	122	266	179	26	211	G1/4"	210	5149	TKDFMSA200E1	TKDFMSA200F1

DIMENSIONS

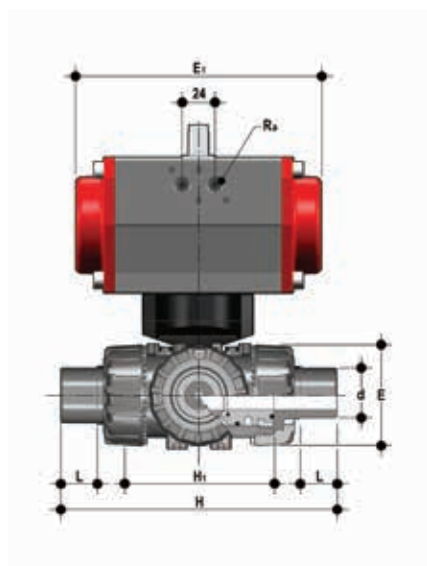
TKD/CP DN 10÷50 PP-H



TKDDM/CP DA

3 way DUAL BLOCK® ball valve with male ends for socket welding with pneumatic actuator, Double-Acting function. "T" ball, configuration 1

d	DN	PN	E	H	H ₁	L	R ₀	E ₁	g	EPDM Code	FKM Code
20	15	10	54	140	80	16	G1/8"	138	1828	TKDDMDA020E1	TKDDMDA020F1
25	20	10	65	175	100	18	G1/8"	155.5	1986	TKDDMDA025E1	TKDDMDA025F1
32	25	10	73	188	110	20	G1/8"	155.5	2174	TKDDMDA032E1	TKDDMDA032F1
40	32	10	86	220	131	22	G1/4"	155.5	2458	TKDDMDA040E1	TKDDMDA040F1
50	40	10	98	251	148	23	G1/4"	155.5	2670	TKDDMDA050E1	TKDDMDA050F1
63	50	10	122	294	179	29	G1/4"	155.5	4679	TKDDMDA063E1	TKDDMDA063F1



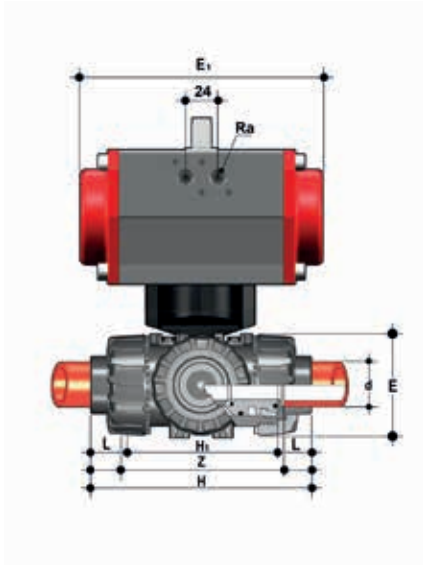
TKDDM/CP SA

3 way DUAL BLOCK® ball valve with male ends for socket welding with pneumatic actuator, Single-acting function. "T" ball, configuration 1

d	DN	PN	E	H	H ₁	L	R ₀	E ₁	g	EPDM Code	FKM Code
20	15	10	54	140	80	16	G1/8"	138	2028	TKDDMSA020E1	TKDDMSA020F1
25	20	10	65	175	100	18	G1/8"	155.5	2186	TKDDMSA025E1	TKDDMSA025F1
32	25	10	73	188	110	20	G1/8"	155.5	2374	TKDDMSA032E1	TKDDMSA032F1
40	32	10	86	220	131	22	G1/4"	155.5	2658	TKDDMSA040E1	TKDDMSA040F1
50	40	10	98	251	148	23	G1/4"	155.5	2870	TKDDMSA050E1	TKDDMSA050F1
63	50	10	122	294	179	29	G1/4"	210	5149	TKDDMSA063E1	TKDDMSA063F1

DIMENSIONS

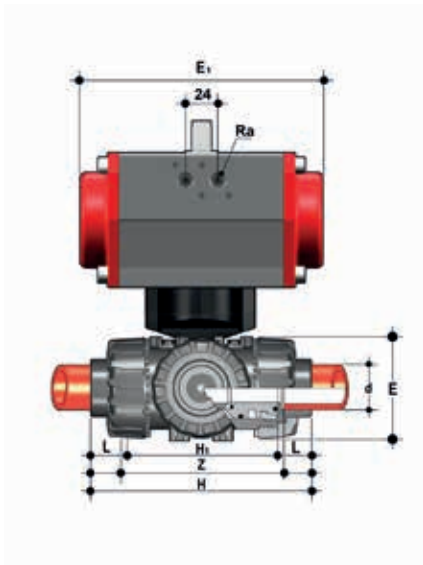
TKD/CP DN 10÷50 PP-H



LKDIM/CP DA

3 way DUAL BLOCK® ball valve with female ends for socket welding with pneumatic actuator, Double-Acting function "L" ball

d	DN	PN	E	H	H ₁	Z	R _o	E ₁	g	EPDM Code	FKM Code
16	10	10	54	118	80	90	G1/8"	138	1298	LKDIMDA016E1	LKDIMDA016F1
20	15	10	54	117	80	88	G1/8"	138	1828	LKDIMDA020E1	LKDIMDA020F1
25	20	10	65	144	100	112	G1/4"	155.5	1986	LKDIMDA025E1	LKDIMDA025F1
32	25	10	73	158	110	122	G1/4"	155.5	2174	LKDIMDA032E1	LKDIMDA032F1
40	32	10	86	184	131	143	G1/4"	155.5	2458	LKDIMDA040E1	LKDIMDA040F1
50	40	10	98	219	148	172	G1/4"	155.5	2670	LKDIMDA050E1	LKDIMDA050F1
63	50	10	122	267	179	212	G1/4"	155.5	4679	LKDIMDA063E1	LKDIMDA063F1



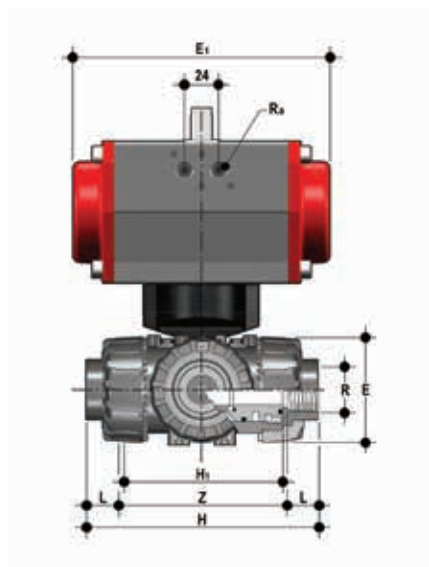
LKDIM/CP SA

3 way DUAL BLOCK® ball valve with female ends for socket welding with pneumatic actuator, Single-acting function "L" ball

d	DN	PN	E	H	H ₁	Z	R _o	E ₁	g	EPDM Code	FKM Code
16	10	10	54	118	80	90	G1/8"	138	1428	LKDIMSA016E1	LKDIMSA016F1
20	15	10	54	117	80	88	G1/8"	138	2028	LKDIMSA020E1	LKDIMSA020F1
25	20	10	65	144	100	112	G1/4"	155.5	2186	LKDIMSA025E1	LKDIMSA025F1
32	25	10	73	158	110	122	G1/4"	155.5	2374	LKDIMSA032E1	LKDIMSA032F1
40	32	10	86	184	131	143	G1/4"	155.5	2658	LKDIMSA040E1	LKDIMSA040F1
50	40	10	98	219	148	172	G1/4"	155.5	2870	LKDIMSA050E1	LKDIMSA050F1
63	50	10	122	267	179	212	G1/4"	210	5149	LKDIMSA063E1	LKDIMSA063F1

DIMENSIONS

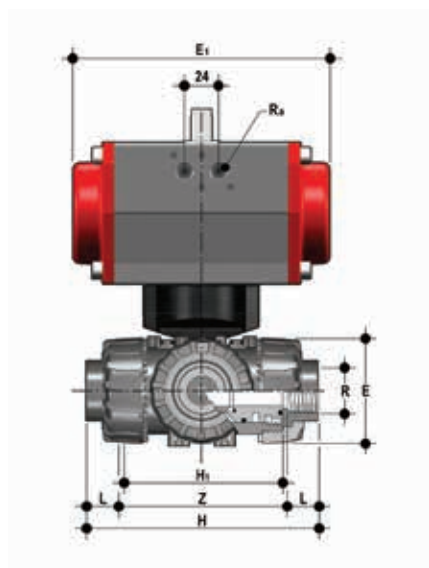
TKD/CP DN 10÷50 PP-H



LKDFM/CP DA

3 way DUAL BLOCK® ball valve with gas cylinder thread female ends with pneumatic actuator, Double-Acting function "L" ball

R	DN	PN	E	H	H ₁	L	Z	R _b	E ₁	g	EPDM Code	FKM Code
1/2"	15	10	54	117	80	15	87	G1/8"	138	1828	LKDFMDA012E1	LKDFMDA012F1
3/4"	20	10	65	143	100	16	114	G1/4"	155.5	1986	LKDFMDA034E1	LKDFMDA034F1
1"	25	10	73	157	110	19	120	G1/4"	155.5	2174	LKDFMDA100E1	LKDFMDA100F1
1" 1/4	32	10	86	185	131	21	140	G1/4"	155.5	2458	LKDFMDA114E1	LKDFMDA114F1
1" 1/2	40	10	98	217	148	21	172	G1/4"	155.5	2670	LKDFMDA112E1	LKDFMDA112F1
2"	50	10	122	266	179	26	211	G1/4"	155.5	4679	LKDFMDA200E1	LKDFMDA200F1



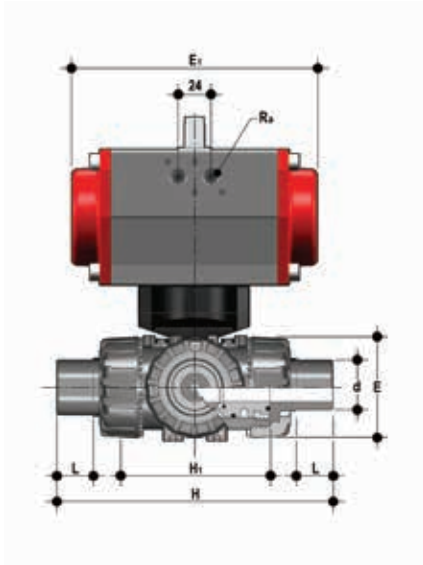
LKDFM/CP SA

3 way DUAL BLOCK® ball valve with gas cylinder thread female ends with pneumatic actuator, Single-acting function "L" ball

R	DN	PN	E	H	H ₁	L	Z	R _b	E ₁	g	EPDM Code	FKM Code
1/2"	15	10	54	117	80	15	87	G1/8"	138	2028	LKDFMSA012E1	LKDFMSA012F1
3/4"	20	10	65	143	100	16	114	G1/4"	155.5	2186	LKDFMSA034E1	LKDFMSA034F1
1"	25	10	73	157	110	19	120	G1/4"	155.5	2374	LKDFMSA100E1	LKDFMSA100F1
1" 1/4	32	10	86	185	131	21	140	G1/4"	155.5	2658	LKDFMSA114E1	LKDFMSA114F1
1" 1/2	40	10	98	217	148	21	172	G1/4"	155.5	2870	LKDFMSA112E1	LKDFMSA112F1
2"	50	10	122	266	179	26	211	G1/4"	210	5149	LKDFMSA200E1	LKDFMSA200F1

DIMENSIONS

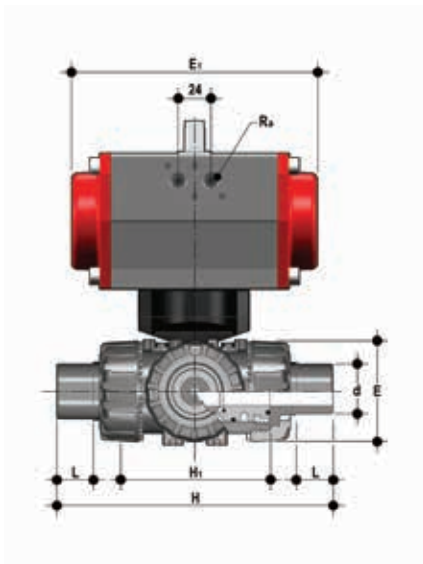
TKD/CP DN 10÷50 PP-H



LKDDM/CP DA

3 way DUAL BLOCK® ball valve with male ends for socket welding with pneumatic actuator, Double-Acting function. "L" ball

d	DN	PN	E	H	H ₁	L	R ₀	E ₁	g	EPDM Code	FKM Code
20	15	10	54	140	80	16	G1/8"	138	1828	LKDDMDA020E1	LKDDMDA020F1
25	20	10	65	175	100	18	G1/8"	155.5	1986	LKDDMDA025E1	LKDDMDA025F1
32	25	10	73	188	110	20	G1/8"	155.5	2174	LKDDMDA032E1	LKDDMDA032F1
40	32	10	86	220	131	22	G1/4"	155.5	2458	LKDDMDA040E1	LKDDMDA040F1
50	40	10	98	251	148	23	G1/4"	155.5	2670	LKDDMDA050E1	LKDDMDA050F1
63	50	10	122	294	179	29	G1/4"	155.5	4679	LKDDMDA063E1	LKDDMDA063F1



LKDDM/CP SA

3 way DUAL BLOCK® ball valve with male ends for socket welding with pneumatic actuator, Single-acting function. "L" ball

d	DN	PN	E	H	H ₁	L	R ₀	E ₁	g	EPDM Code	FKM Code
20	15	10	54	140	80	16	G1/8"	138	2028	LKDDMSA020E1	LKDDMSA020F1
25	20	10	65	175	100	18	G1/8"	155.5	2186	LKDDMSA025E1	LKDDMSA025F1
32	25	10	73	188	110	20	G1/8"	155.5	2374	LKDDMSA032E1	LKDDMSA032F1
40	32	10	86	220	131	22	G1/4"	155.5	2658	LKDDMSA040E1	LKDDMSA040F1
50	40	10	98	251	148	23	G1/4"	155.5	2870	LKDDMSA050E1	LKDDMSA050F1
63	50	10	122	294	179	29	G1/4"	210	5149	LKDDMSA063E1	LKDDMSA063F1

FASTENING AND SUPPORTING

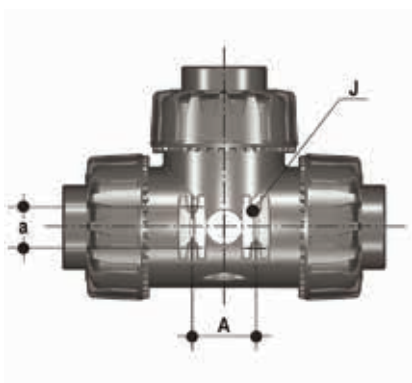


All valves, whether manual or actuated, must be adequately supported in many applications.

The TKD valve series is therefore provided with an integrated bracket that permits direct anchoring of the valve body without the need of other components.

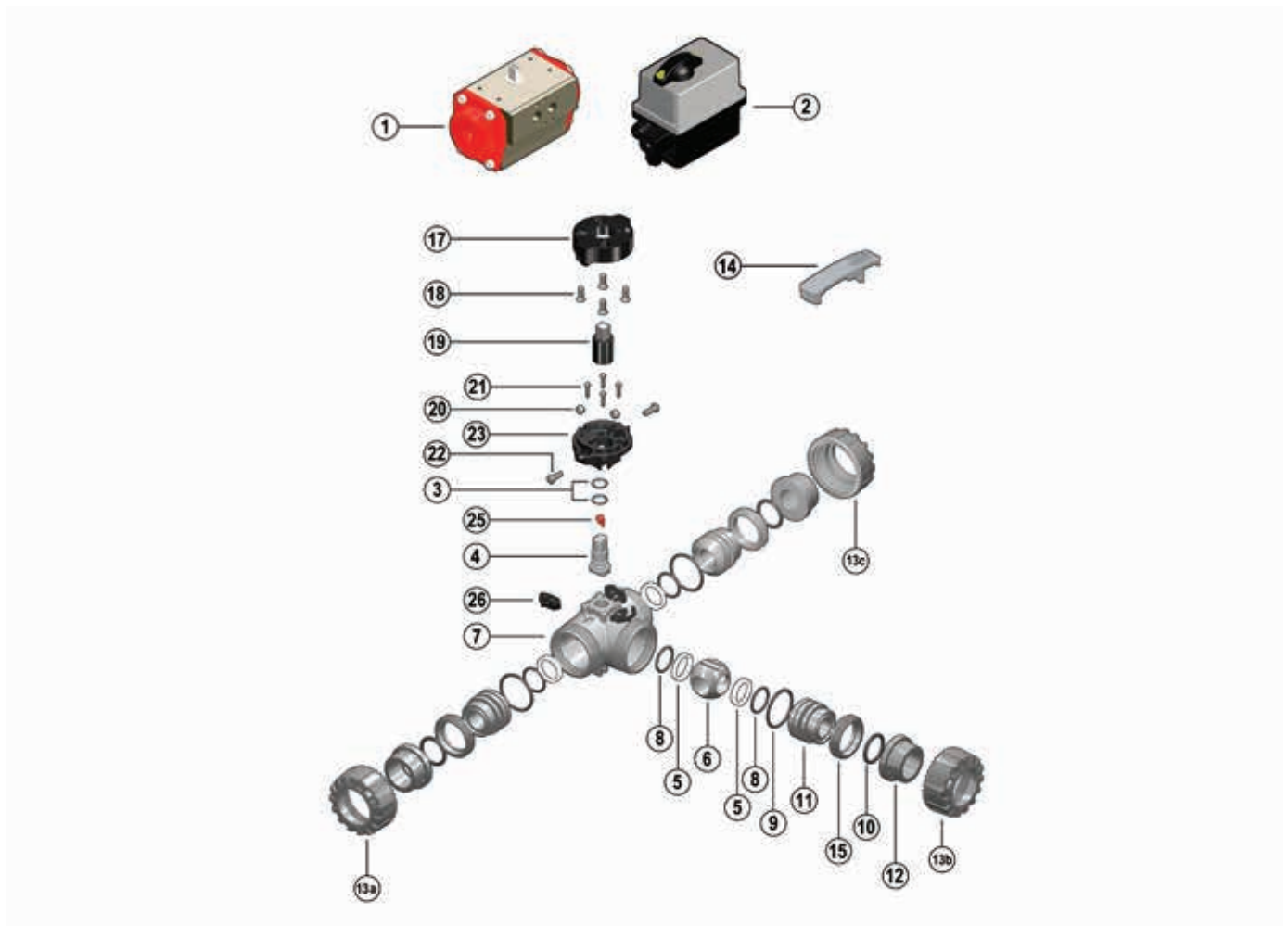
Using standard threaded nuts (not included) made of stainless steel, you can anchor the valve on 4 fastening points.

d	DN	a	A	J
16	10	20	31	M5
20	15	20	31	M5
25	20	20	31	M5
32	25	20	31	M5
40	32	30	50	M6
50	40	30	50	M6
63	50	30	50	M6



COMPONENTS

EXPLODED VIEW



- | | | |
|--|--|---|
| 1 Pneumatic actuator (Finished aluminium - 1) | 10 Socket seal O-Ring (EPDM-FKM - 3)* | 18 Screw (STAINLESS steel - 4) |
| 2 Electric actuator (PA6-Nylon - 1) | 11 Ball seat carrier (PVC-U / PVC-C / PP-H - 3) | 19 Connection module (PP-GR - 1) |
| 3 Stem seal (EPDM-FKM - 2)* | 12 End connector (PVC-U / PVC-C / PP-H - 3)* | 20 Nut (stainless steel - 2) |
| 4 Stem (PVC-U / PVC-C / PP-H - 1) | 13 Union nut (PVC-U / PVC-C / PP-H - 3) | 21 Screw (STAINLESS steel - 4) |
| 5 Ball seal (PTFE - 4)* | 14 Handle insert (PVC-U - 1) | 22 Screw (STAINLESS steel - 2) |
| 6 Ball (PVC-U / PVC-C / PP-H - 1) | 15 Threaded ring (PVC-U / PVC-C / PP-H - 3) | 23 Lower plate (PP-GR - 1) |
| 7 Body (PVC-U / PVC-C / PP-H - 1) | 17 Upper plate (PP-GR - 1) | 25 Position indicator (POM - 1) |
| 8 Ball seal O-Rings (EPDM-FKM - 4)* | | 26 DUAL BLOCK® (POM - 3) |
| 9 Radial seal O-Ring (EPDM, FKM - 3) | | |

* Spare parts

The material the component is made of and the quantity supplied are shown in brackets

DISASSEMBLY

- 1) Isolate the valve from the line (release the pressure and empty the pipeline).
- 2) Disconnect the actuator from the compressed air supply and/or power mains.
- 3) Remove the two screws (22) and lift the actuator (1/2) with the plate (17).
- 4) Release the union nuts by pressing the lever on the DUAL BLOCK® (26) along the axis and separate it from the union nut (fig. 1). It is also possible to completely remove the locking device from the valve body.
- 5) Fully unscrew the union nuts (13) and extract the body sideways (6).
- 6) With the specifically supplied insert (14), place the two protrusions in the corresponding slots on the seal carriage (11), turning counter-clockwise to extract it (fig. 2).
- 7) Extract the ball (6) from the central port b being careful not to damage the seat surface.
- 8) Extract the connection module (19) by pulling up.
- 9) Press the stem (4) inwards until it exits the body.
- 10) Remove the O-Ring (3, 8, 9, 10) and PTFE ball seats (5) extracting them from their grooves, as illustrated in the exploded view.

ASSEMBLY

- 1) All the O-rings (3, 8, 9, 10) must be inserted in their grooves as shown in the exploded view.
- 2) Insert the stem (4) from inside the body making sure the optical position indicator (25) on the top of the stem matches the ball output position.
- 3) Place the PTFE ball seats (5) in the housings in the body (7) and in the ball seat carrier (11).
- 4) Insert the ball (6) from the central port b, being careful that the three bores match the three outlets (for L-port ball, the two bores must match the a and b outlets).
- 5) Insert the three carriages (11) in the body and turn clockwise using the insert (14) to limit stop following the sequence in fig. 3 (L ball) and fig. 4 (T ball).
- 6) If previously removed, reassemble the DUAL BLOCK® system (26) on the valve body.
- 7) Insert the valve between the end connectors (12) and tighten the union nuts (13) making sure that the socket seal O-rings (10) do not exit their seats.
- 8) Insert the connection module (19) on the stem (4).
- 9) Reassemble the actuator (1/2) with plate (17) on the valve making sure the ball position (6) and actuator stem are aligned.
- 10) Tighten the two screws (22) and reconnect the actuator to the pneumatic and/or power supplies.



All operations on equipment under pressure or containing compressed springs must be carried out under safe conditions for the operator.

Note: during mounting operations, it is advisable to lubricate the rubber seals. Mineral oils are not recommended for this task as they react aggressively with EPDM rubber.

The photos refer to the manual version and are purely exemplary.

Fig. 1



Fig. 2



Fig. 3

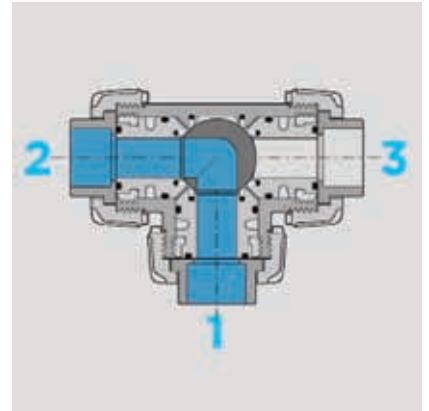
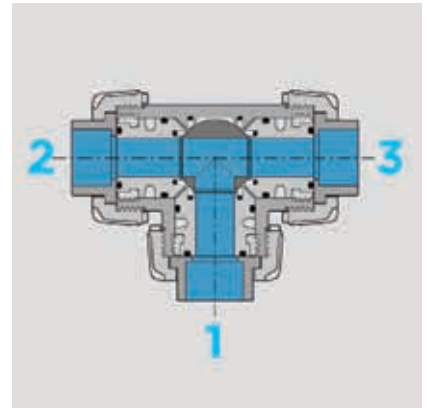


Fig. 4



INSTALLATION

Before proceeding with installation, please follow these instructions carefully:

- 1) Check that the pipes to be connected to the valve are aligned in order to avoid mechanical stress on the threaded joints.
- 2) Check that the DUAL BLOCK® union nut locking device (26) is installed on the valve body.
- 3) To release the union nuts (13), axially press the release lever to separate the lock and then unscrew it in the counter-clockwise direction.
- 4) Unscrew the union nuts (13) and insert them on the pipe segments.
- 5) Solvent weld or screw the end connectors (12) onto the pipe ends.
- 6) Position the valve body between the end connectors and fully tighten the union nuts (13) manually by rotating clockwise without using wrenches or other tools that could damage the union nut surface.
- 7) Lock the union nuts by returning the DUAL BLOCK® to its housing, pressing on it until the hinges lock on the nuts.
- 8) If necessary, support the pipework with FIP pipe clips or by means of the carrier built into the valve itself (see paragraph "fastening and supporting").

Seals can be adjusted using the extractable insert on the handle (fig. 2). After positioning the ball as in figure 3-4, using this insert as a tool you can adjust the seals by screwing in the carriers following the indicated sequence (fig. 3-4).

The seals can be adjusted later with the valve installed on the pipe by simply tightening the union nuts.

This "micro adjustment", only possible with FIP valves thanks to the patented "Seat stop system", allows the seal to be recovered in the event of seal wear and where PTFE ball seats are worn due to a high number of manoeuvres.

WARNINGS

- If volatile liquid such as Hydrogen Peroxide (H₂O₂) or Sodium Hypochlorite (NaClO) is used, for safety reasons we recommend you contact the service centre. These liquids, upon vaporising, could create hazardous over pressures in the area between the body and ball.

- Always avoid sudden closing manoeuvres that can generate water hammer. For this reason, we recommend you equip pneumatic actuators with air speed reducers.



VXE/CE - VXE/CP DN 65÷100

PVC-U/PVC-C

ELECTRICALLY OR PNEUMATICALLY ACTUATED
TWO-WAY EASYFIT BALL VALVE



VXE/CE – VXE/CP DN 65÷100

FIP and Giugiaro Design designed and developed VXE Easyfit, the innovative True Union ball valve with union nut tightening control system that permits simple and safe installation for reliable service in time.



ELECTRICALLY OR PNEUMATICALLY ACTUATED TWO-WAY EASYFIT BALL VALVE

- Connection system using solvent welded and threaded joints
- **Patented Easyfit system**: innovative mechanism based on the multifunctional handle quick release mechanism that permits union nut rotation during valve installation and ball seat carrier adjustment
- **Valve material compatibility** (U PVC-C) and **elastomer seal elements** (EPDM or FKM), with water, drinking water and other food substances as per current regulations
- Easy radial dismantling allowing quick replacement of O-rings and ball seats without any need for tools
- **PN16 radial dismantling valve body** (True Union) made for PVC-C injection moulding and European Directive 2014/68/EC compliant for PED pressurised equipment. ISO 9393 compliant test requirements. Maximum fluid pressure for valve operation 6 bar.
- Valve body with built in anchoring frame for the special **Power Quick module** dedicated to accessory or pneumatic and electric actuator installation
- Option of disassembling downstream pipes with the valve in the closed position
- Floating **full bore ball** with high surface finish made in CNC work stations to achieve precise dimensional tolerance and high surface finish.

Technical specifications - VXE	
Construction	Easyfit 2-way True Union ball valve with locked carrier
Size range	DN 65 ÷ 100
Nominal pressure	PVC-U: PN 16 with water at 20° C PVC-C: PN16 with water at 20° C
Temperature range	PVC-U: 0 °C ÷ 60 °C PVC-C: 0° C ÷ 100° C
PVC-U coupling standards	Solvent welding: EN ISO 1452, EN ISO 15493, BS 4346-1, DIN 8063, NF T54-028, ASTM D 2467, JIS K 6743. Can be coupled to pipes according to EN ISO 1452, EN ISO 15493, DIN 8062, NF T54-016, ASTM D 1785, JIS K 6741. Thread: ISO 228-1, DIN 2999, ASTM D 2464, JIS B 0203.
PVC-C coupling standards	Solvent welding: EN ISO 15493, ASTM F 439. Can be coupled to pipes according to EN ISO 15493, ASTM F 441 Thread: ISO 228-1, DIN 2999, ASTM F 437 Flanging system: ISO 7005-1, EN ISO 15493, EN 558-1, DIN 2501, ANSI B.16.5 cl. 150, JIS B 2220.
Reference standards	PVC-U construction criteria: EN ISO 16135, EN ISO 1452, EN ISO 15493 PVC-C construction criteria: EN ISO 16135, EN ISO 15493 Test methods and requirements: ISO 9393 PVC-U/PVC-C installation criteria: DVS 2204, DVS 2221, UNI 11242 Actuator couplings: ISO 5211
Valve material	PVC-U / PVC-C
Seal material	EPDM, FKM (standard size O-Rings); PTFE (ball seats)
Control options	Electric actuator; pneumatic actuator

In addition to the manually actuated version, VXE is also available in VXE/CE electrically actuated and VXE/CP pneumatically actuated configurations. Actuators are firmly connected to the valve by the special FIP Power Quick modules fully made of PP-GR technopolymer. VXE/CE and VXE/CP are constructed with actuators meeting current regulations and selected by FIP according to their quality and reliability requirements. The efficiency of these valves, tested according to the company's quality standards, is guaranteed by the expertise and know-how that FIP dedicates to manufacturing its products.

Technical specifications - Electric actuator	
Reference standards	Construction criteria: Electromagnetic compatibility EMC 2004/108/CE. Low voltage directive 2006/95/CE. Machinery directive 2006/42/CE. R.O.H.S. directive 2011/65/CE Coupling for valves: ISO 5211; DIN 3337
Actuator material	Plastic parts: PA6,6 FV 30% and Nylon. Metallic parts: 304L stainless steel or steel + tin-plating
Supply Voltage	12V DC* - 24V AC/DC - 90-240V AC - 400V three phase* *voltages available upon request
Temperature range	From -10 °C to +55 °C
Standard equipment	<ul style="list-style-type: none"> • Manual safety override • Visual position indicator • Two auxiliary limit switches (5A) adjustable FC1, FC2 • Polyswitch torque limiter • Anti-condensation heating element (12V DC)
Accessories	<ul style="list-style-type: none"> • Positioner board 4-20 mA or 0-10V DC • Fail Safe unit • Anti-condensation heating element • Feedback potentiometer 100 - 1000 - 5000 - 10000 Ohm • 4-20 mA position transmitter • Kit with additional pair of auxiliary limit switches
Special versions upon request	<ul style="list-style-type: none"> • CEI34 50% service • Protection class IP68 or ATEX II 2 GD EEx d IIB T6 • Different operating times
Electrical connection	<ul style="list-style-type: none"> • Power supply: DIN 43650 connector 3P + GND • Limit switch: Cable gland ISO M20

Technical specifications - Pneumatic actuator	
Reference standards	Construction criteria: Machinery directive 2006/42/CE R.O.H.S. directive 2011/65/CE EN 15714-3 Coupling for valves: ISO 5211, DIN 3337 Compressed air connections: NAMUR VDI/VDE-3845 Top connections for accessories: NAMUR VDI/VDE-3845
Actuator material	Body: hard coat anodised extruded aluminium. IP67 Bonnet: polyester powder painted aluminium alloy Pinion: nickel-plated carbon steel Other materials available upon request
Control air pressure	From 5 to 8 bar. Pmax= 10 bar Reduced control pressure executions available upon request
Power supply	Dry or lubricated filtered compressed air. If using other fluids, contact the FIP service centre
Temperature range	From -20 °C to +80 °C
Accessories	<ul style="list-style-type: none"> • Optical position indicator • LSQT electromechanical and PNP inductive limit switch boxes (Namur upon request) • Electric-pneumatic positioner 4-20 mA • 3-5/2 way pilot solenoid valves



1 Electric actuator constructed according to FIP specifications; with plastic shell and standard emergency override. Available with voltages from 12 to 240V.

2 Rack & pinion type pneumatic actuator constructed according to FIP specifications: fully protected against weather corrosion

available in double-acting (DA) or simple-acting normally closed (NC) or normally open (NO) versions.

3 **Stem** with high surface finish and **double O-Ring and PTFE anti-friction disk** that limits friction to a minimum and grants excellent operating torque.

4 Easy to install **Easyfit PowerQuick** module for pneumatic or electric actuator fully made of highly robust technopolymer.

TECHNICAL DATA

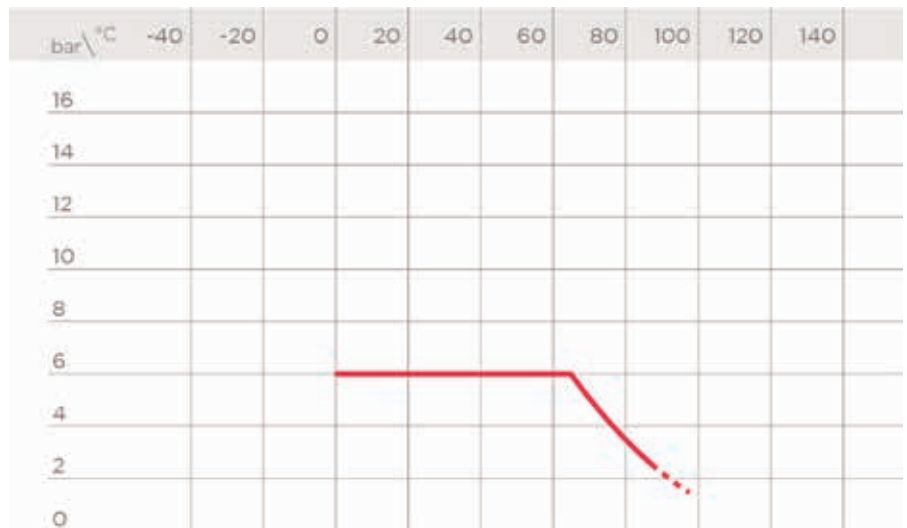
PRESSURE VARIATION ACCORDING TO TEMPERATURE

PVC-U BODY

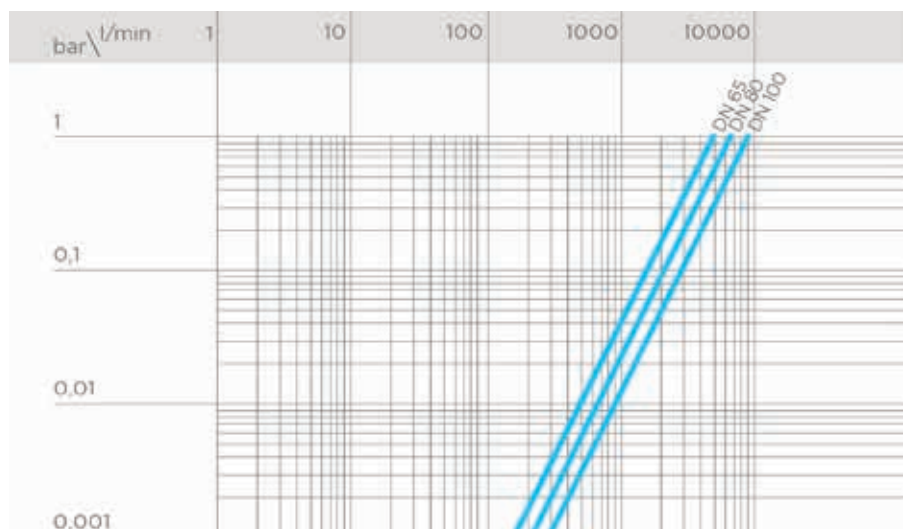
For water and non-hazardous fluids with regard to which the material is classified as CHEMICALLY RESISTANT. In other cases, a reduction of the nominal pressure PN is required (25 years with safety factor).



PVC-C BODY



PRESSURE DROP GRAPH



K_v100 FLOW COEFFICIENT

The K_v100 flow coefficient is the Q flow of litres per minute of water at a temperature of 20°C that will generate $\Delta p = 1$ bar pressure drop at a certain valve position.

The K_v100 values shown in the table are calculated with the valve completely open.

DN	65	80	100
Kv100 l/min	5000	7000	9400

ELECTRIC ACTUATOR DATA

DN 65 FUNCTIONAL CHARACTERISTICS

Characteristics	DC	AC/DC	AC
Power supply	*12V	24V	90÷240V
Power	15W	15W	15W
Max operating time	11 s	12 s	13 s
IEC34 service	50%	30%	30%
Protection class	IP66	IP65	IP65
Frequency	-	50/60 Hz	50/60 Hz

DN 80 FUNCTIONAL CHARACTERISTICS

Characteristics	DC	AC/DC	AC
Power supply	*12V	24V	90÷240V
Power	45W	45W	45W
Max operating time	11 s	12 s	13 s
IEC34 service	50%	30%	30%
Protection class	IP66	IP65	IP65
Frequency	-	50/60 Hz	50/60 Hz

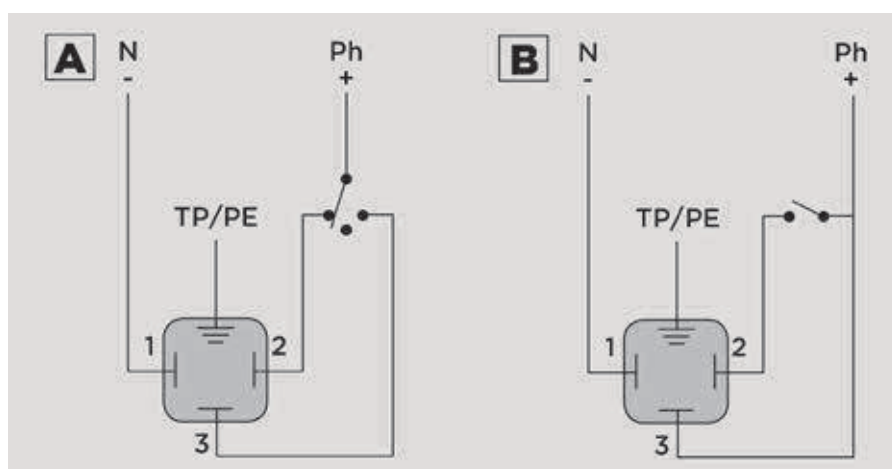
DN 100 FUNCTIONAL CHARACTERISTICS

Characteristics	DC	AC/DC	AC
Power supply	*12V	24V	90÷240V
Power	45W	45W	45W
Max operating time	12 s	13 s	15 s
IEC34 service	50%	30%	30%
Protection class	IP66	IP65	IP65
Frequency	-	50/60 Hz	50/60 Hz

*Upon request

POWER CONNECTION DIAGRAM

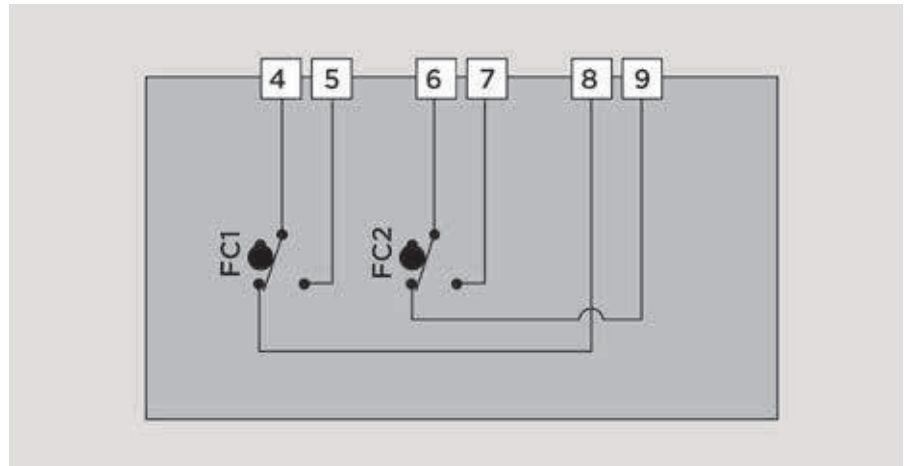
- 1 Shared
- 2 Open
- 3 Closed



AUXILIARY LIMIT SWITCH CONNECTION DIAGRAM

FC1 Open auxiliary limit switch
FC2 Close auxiliary limit switch

- 4** Shared FC1
- 5** Open FC1
- 6** Shared FC2
- 7** Open FC2
- 8** Close FC1
- 9** Close FC2



PNEUMATIC ACTUATOR DATA

FUNCTIONAL CHARACTERISTICS

Function type	double-acting	Normally closed (NC)	Normally Open (NO)
Valve opening	air	air	spring
Valve closing	air	spring	air

ACTUATOR CAPACITY

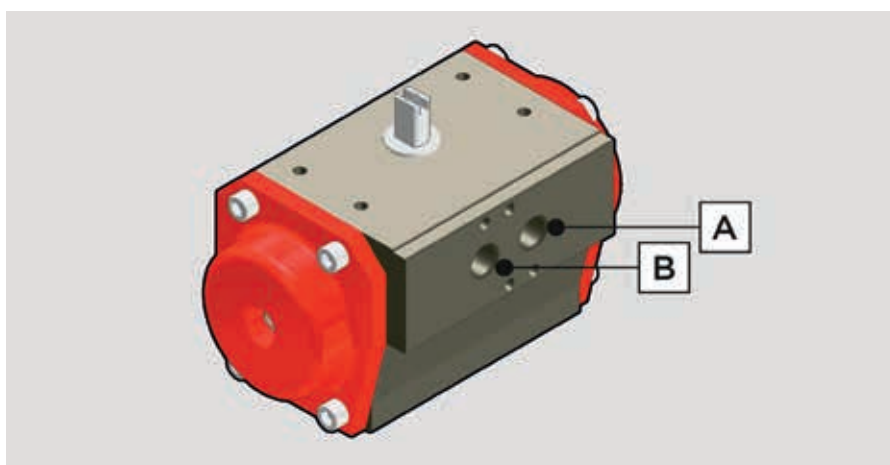
L: litre, equivalent to 10^{-3} m^3

Air consumption in normal litres (or normal cubic metres) per operating cycle can be calculated by correcting according to operating conditions such as control air pressure.

DN	65	80	100
DA	0.45 L	0.45 L	0.61 L
SA (NC-NO)	0.244 L	0.244 L	0.244 L

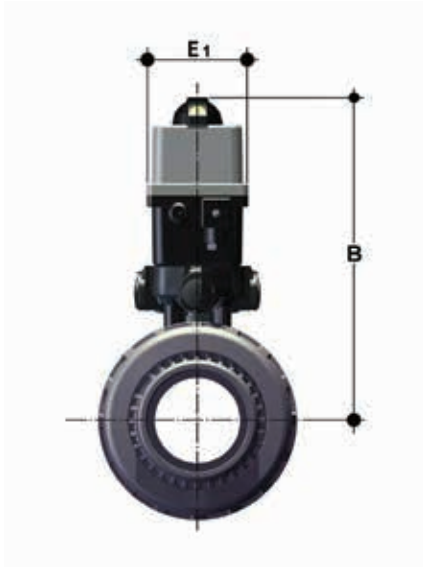
COMPRESSED AIR CONNECTIONS

Function type	Double-acting (DA)	Normally closed (NC)	Normally Open (NO)
Valve opening	Inlet A	Inlet A	-
Valve closing	Inlet B	-	Inlet A



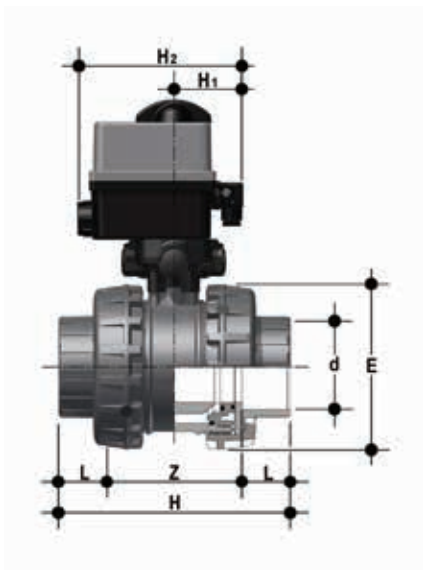
DIMENSIONS

VXE/CE DN 65÷100 PVC-U



Dimensions common to all versions

DN	B	E1
65	281	92
80	312	128
100	332	128



VXEIV/CE 90-240 V AC

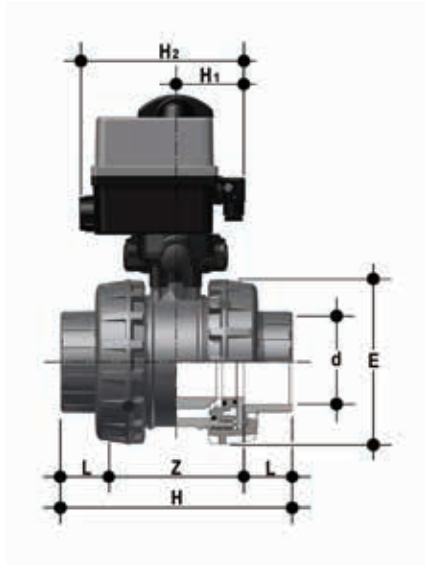
2 way Easyfit valve with female ends for solvent welding, metric series with multi-volt electric actuator 90-240 V AC 50-60 Hz

d	DN	*PN	E	H	L	Z	H ₁	H ₂	g	EPDM Code	FKM Code
75	65	6	157	211	44	123	82	187	3750	VXEIVEM075E	VXEIVEM075F
90	80	6	174	248	51	146	93	202	6232	VXEIVEM090E	VXEIVEM090F
110	100	6	212	283	61	161	93	202	8614	VXEIVEM110E	VXEIVEM110F

* PN10 upon request

DIMENSIONS

VXE/CE DN 65÷100 PVC-U

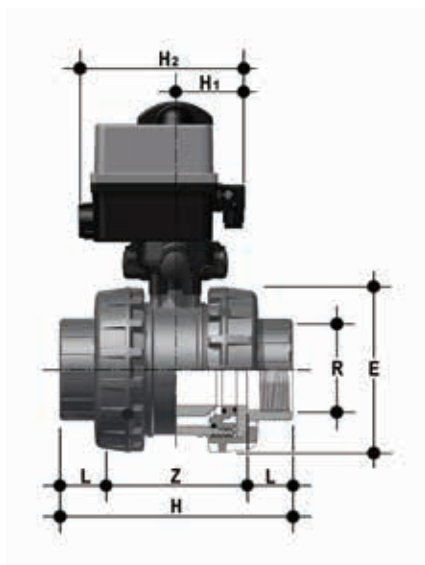


VXEIV/CE 24 V AC/DC

2 way Easyfit valve with female ends for solvent welding, metric series with electric actuator 24 V AC/DC

d	DN	*PN	E	H	L	Z	H ₁	H ₂	g	EPDM Code	FKM Code
75	65	6	157	211	44	123	82	187	3750	VXEIVEL075E	VXEIVEL075F
90	80	6	174	248	51	146	93	202	6232	VXEIVEL090E	VXEIVEL090F
110	100	6	212	283	61	161	93	202	8614	VXEIVEL110E	VXEIVEL110F

* PN10 upon request



VXEFV/CE 90-240 V AC

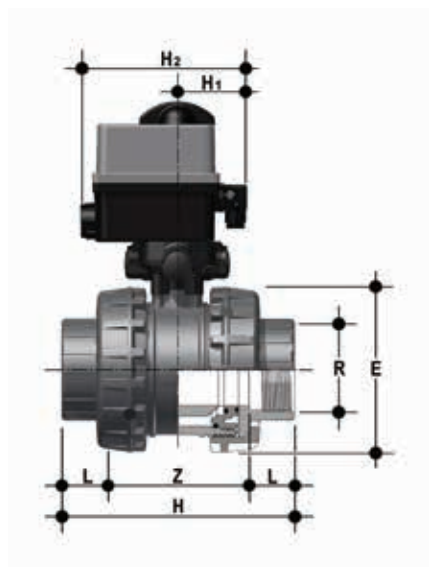
2 way Easyfit valve with female ends, gas cylinder thread with multi-volt electric actuator 90-240 V AC 50-60 Hz

R	DN	*PN	E	H	L	Z	H ₁	H ₂	g	EPDM Code	FKM Code
2"1/2	65	6	157	211	30.2	150.6	82	187	3750	VXEFVEM212E	VXEFVEM212F
3"	80	6	174	248	33.3	181.4	93	202	6232	VXEFVEM300E	VXEFVEM300F
4"	100	6	212	283	39.3	204.4	93	202	8614	VXEFVEM400E	VXEFVEM400F

* PN10 upon request

DIMENSIONS

VXE/CE DN 65÷100 PVC-U

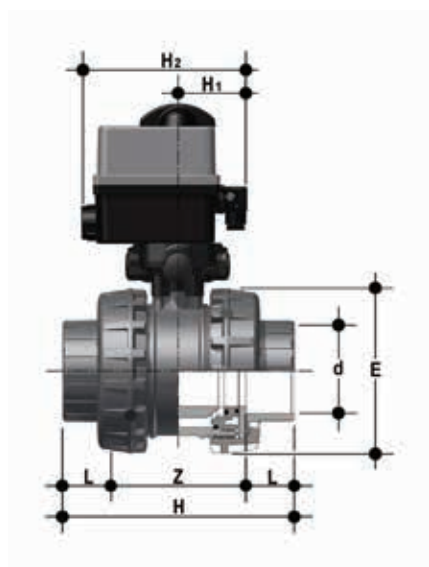


VXEFV/CE 24 V AC/DC

2 way Easyfit valve with female ends, gas cylinder thread with electric actuator 24 V AC/DC

R	DN	*PN	E	H	L	Z	H ₁	H ₂	g	EPDM Code	FKM Code
2"1/2	65	6	157	211	30.2	150.6	82	187	3750	VXEFVEL212E	VXEFVEL212F
3"	80	6	174	248	33.3	181.4	93	202	6232	VXEFVEL300E	VXEFVEL300F
4"	100	6	212	283	39.3	204.4	93	202	8614	VXEFVEL400E	VXEFVEL400F

* PN10 upon request



VXEJV/CE 90-240 V AC

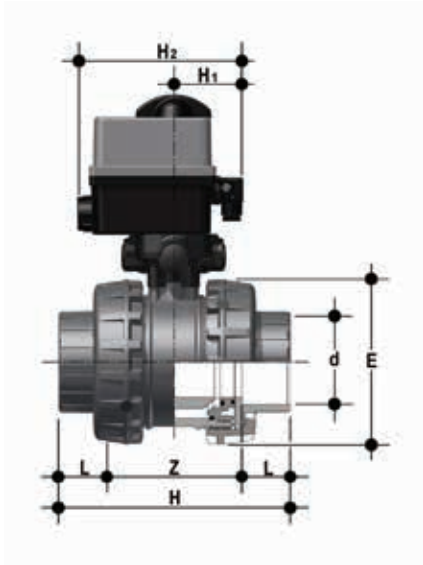
2 way Easyfit valve with female ends for solvent welding, JIS series with multi-volt electric actuator 90-240 V AC 50-60 Hz

d	DN	*PN	E	H	L	Z	H ₁	H ₂	g	EPDM Code	FKM Code
2"1/2	65	6	157	243	61	121	82	187	3750	VXEJVEM212E	VXEJVEM212F
3"	80	6	174	272	64.5	143	93	202	6232	VXEJVEM300E	VXEJVEM300F
4"	100	6	212	332	84	164	93	202	8614	VXEJVEM400E	VXEJVEM400F

* PN10 upon request

DIMENSIONS

VXE/CE DN 65÷100 PVC-U

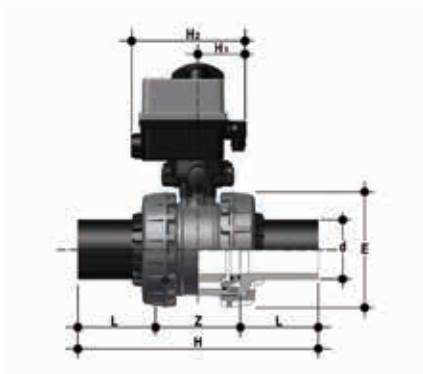


VXEJV/CE 24 V AC/DC

2 way Easyfit valve with female ends for solvent welding, JIS series with electric actuator 24V AC/DC

d	DN	*PN	E	H	L	Z	H ₁	H ₂	g	EPDM Code	FKM Code
2 1/2"	65	6	157	243	61	121	82	187	3750	VXEJVVEL212E	VXEJVVEL212F
3"	80	6	174	272	64.5	143	93	202	6232	VXEJVVEL300E	VXEJVVEL300F
4"	100	6	212	332	84	164	93	202	8614	VXEJVVEL400E	VXEJVVEL400F

* PN10 upon request



VXEBEV/CE 90-240 V AC

2-way Easyfit valve with PE100 SDR 11 male ends for butt welding or electrofusion welding (CVDE) with multi-volt electric actuator 90-240 V AC 50-60 Hz

d	DN	*PN	E	H	L	Z	H ₁	H ₂	g	EPDM Code	FKM Code
75	65	6	157	331	71	189	82	187	3286	VXEBEVEM075E	VXEBEVEM075F
90	80	6	174	367	88	191	93	202	5859	VXEBEVEM090E	VXEBEVEM090F
110	100	6	212	407	92	223	93	202	8273	VXEBEVEM110E	VXEBEVEM110F

* PN10 upon request

DIMENSIONS

VXE/CE DN 65÷100 PVC-U



VXE/CE 24 V AC/DC

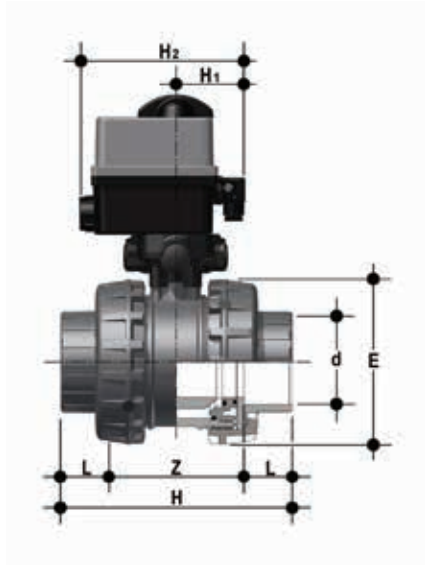
2-way Easyfit valve with PE100 SDR 11 male ends for butt welding or electrofusion welding (CVDE) with electric actuator 24V AC/DC

d	DN	*PN	E	H	L	Z	H ₁	H ₂	g	EPDM Code	FKM Code
75	65	6	157	331	71	189	82	187	3286	VXEBEVEL075E	VXEBEVEL075F
90	80	6	174	367	88	191	93	202	5859	VXEBEVEL090E	VXEBEVEL090F
110	100	6	212	407	92	223	93	202	8273	VXEBEVEL110E	VXEBEVEL110F

* PN10 upon request

DIMENSIONS

VXE/CE DN 65÷100 PVC-C

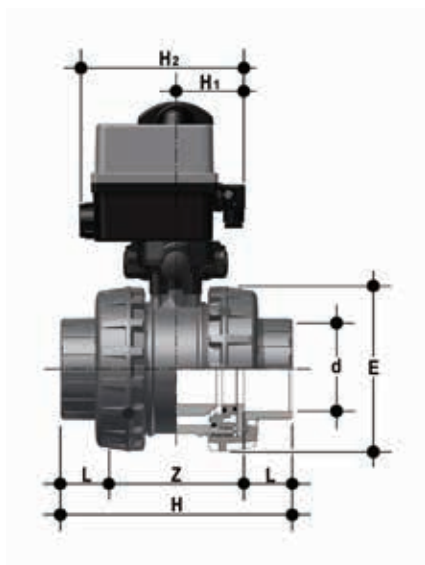


VXEIC/CE 90-240 V AC

2 way Easyfit valve with female ends for solvent welding, metric series with multi-volt electric actuator 90-240 V AC 50-60 Hz

d	DN	*PN	E	H	L	Z	H ₁	H ₂	g	EPDM Code	FKM Code
75	65	6	157	211	44	123	82	187	3998	VXEICEM075E	VXEICEM075F
90	80	6	174	248	51	146	93	202	6541	VXEICEM090E	VXEICEM090F
110	100	6	212	283	61	161	93	202	9137	VXEICEM110E	VXEICEM110F

* PN10 upon request



VXEIC/CE 24 V AC/DC

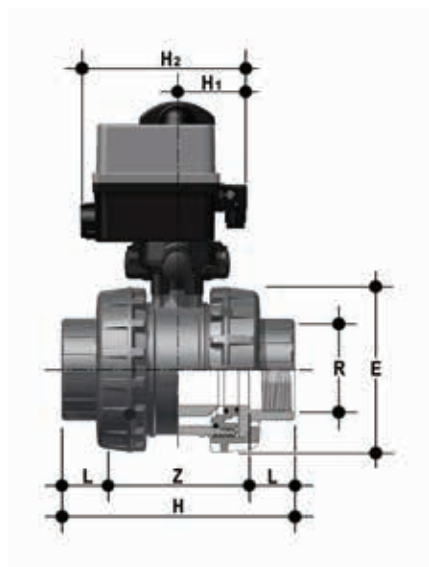
2 way Easyfit valve with female ends for solvent welding, metric series with electric actuator 24 V AC/DC

d	DN	*PN	E	H	L	Z	H ₁	H ₂	g	EPDM Code	FKM Code
75	65	6	157	211	44	123	82	187	3998	VXEICEL075E	VXEICEL075F
90	80	6	174	248	51	146	93	202	6541	VXEICEL090E	VXEICEL090F
110	100	6	212	283	61	161	93	202	9137	VXEICEL110E	VXEICEL110F

* PN10 upon request

DIMENSIONS

VXE/CE DN 65÷100 PVC-C

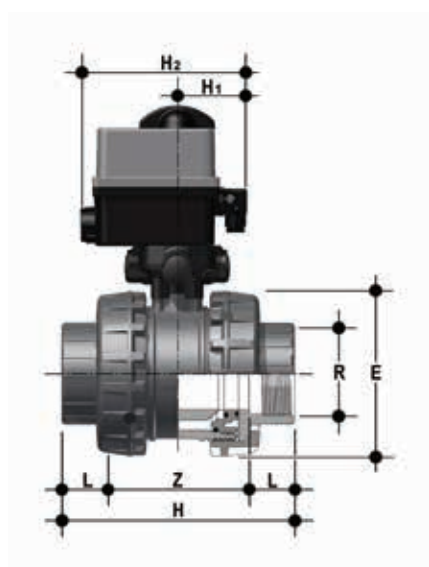


VXEFC/CE 90-240 V AC

2 way Easyfit valve with female ends, gas cylinder thread with multi-volt electric actuator 90-240 V AC 50-60 Hz

R	DN	*PN	E	H	L	Z	H ₁	H ₂	g	EPDM Code	FKM Code
2"1/2	65	6	157	211	30.2	150.6	82	187	3998	VXEFCCEM212E	VXEFCCEM212F
3"	80	6	174	248	33.3	181.4	93	202	6541	VXEFCCEM300E	VXEFCCEM300F
4"	100	6	212	283	39.3	204.4	93	202	9137	VXEFCCEM400E	VXEFCCEM400F

* PN10 upon request



VXEFC/CE 24 V AC/DC

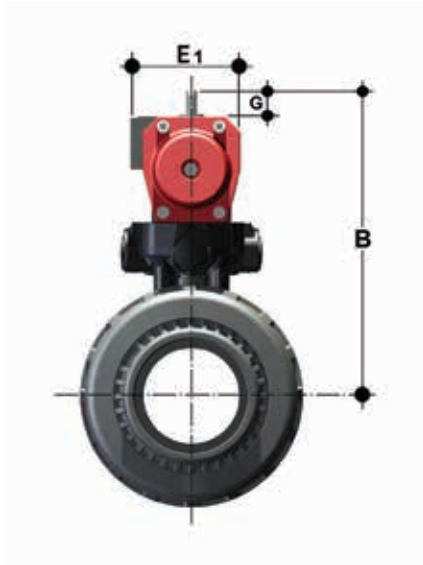
2 way Easyfit valve with female ends, gas cylinder thread with electric actuator 24 V AC/DC

R	DN	*PN	E	H	L	Z	H ₁	H ₂	g	EPDM Code	FKM Code
2"1/2	65	6	157	211	30.2	150.6	82	187	3998	VXEFCEL212E	VXEFCEL212F
3"	80	6	174	248	33.3	181.4	93	202	6541	VXEFCEL300E	VXEFCEL300F
4"	100	6	212	283	39.3	204.4	93	202	9137	VXEFCEL400E	VXEFCEL400F

* PN10 upon request

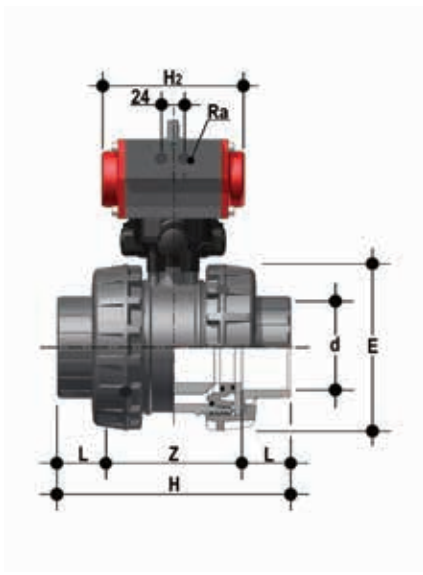
DIMENSIONS

VXE/CP DN 65÷100 PVC-U



Dimensions common to all versions

DN	B	G	E ₁
65	232	20	86
80	239	20	86
100	276	30	94



VXEIV/CP DA

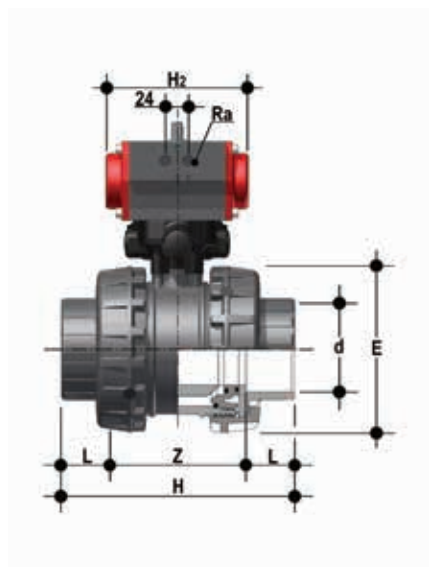
2 way Easyfit valve with female ends for solvent welding, metric series with pneumatic actuator, Double-Acting function

d	DN	*PN	E	H	L	Z	H ₂	R _a	g	EPDM Code	FKM Code
75	65	6	157	211	44	123	155.5	G1/4"	4450	VXEIVDA075E	VXEIVDA075F
90	80	6	174	248	51	146	155.5	G1/4"	5132	VXEIVDA090E	VXEIVDA090F
110	100	6	212	283	61	161	210	G1/4"	8114	VXEIVDA110E	VXEIVDA110F

* PN10 upon request

DIMENSIONS

VXE/CP DN 65÷100 PVC-U

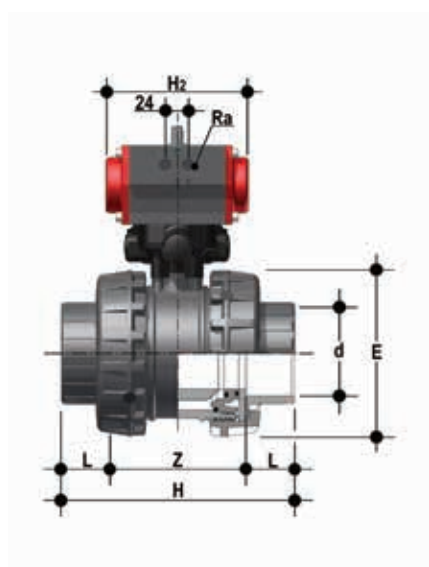


VXEIV/CP NC

2-way Easyfit valve with female ends for solvent welding, metric series with pneumatic actuator, Normally Closed function

d	DN	*PN	E	H	L	Z	H ₂	R _a	g	EPDM Code	FKM Code
75	65	6	157	211	44	123	210	G1/4"	5950	VXEIVNC075E	VXEIVNC075F
90	80	6	174	248	51	146	210	G1/4"	6632	VXEIVNC090E	VXEIVNC090F
110	100	6	212	283	61	161	210	G1/4"	9114	VXEIVNC110E	VXEIVNC110F

* PN10 upon request



VXEIV/CP NO

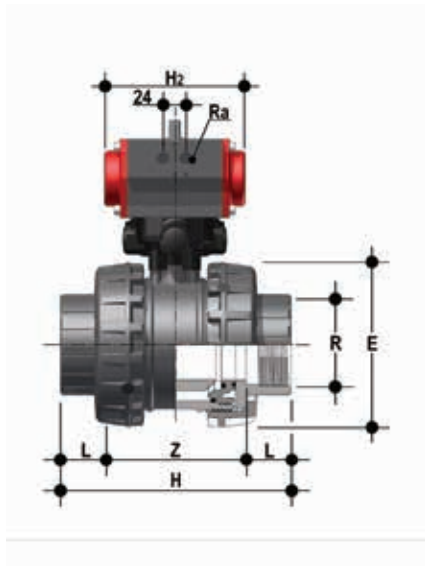
2 way Easyfit valve with female ends for solvent welding, metric series with pneumatic actuator, Normally Open function

d	DN	*PN	E	H	L	Z	H ₂	R _a	g	EPDM Code	FKM Code
75	65	6	157	211	44	123	210	G1/4"	5950	VXEIVNO075E	VXEIVNO075F
90	80	6	174	248	51	146	210	G1/4"	6632	VXEIVNO090E	VXEIVNO090F
110	100	6	212	283	61	161	210	G1/4"	9114	VXEIVNO110E	VXEIVNO110F

* PN10 upon request

DIMENSIONS

VXE/CP DN 65÷100 PVC-U

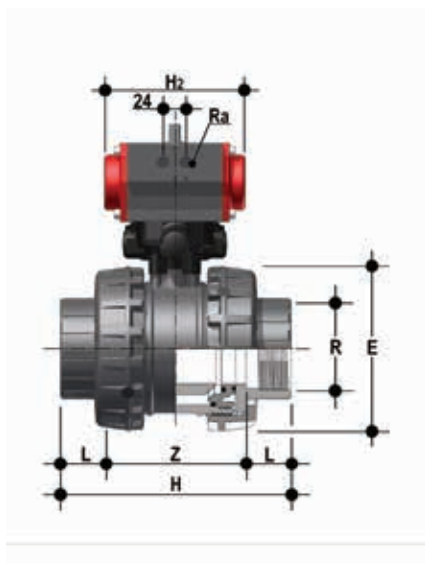


VXEFV/CP DA

2 way Easyfit valve with gas cylinder thread female ends with pneumatic actuator, Double-Acting function

R	DN	*PN	E	H	L	Z	H ₂	R _a	g	EPDM Code	FKM Code
2 1/2"	65	6	157	211	30.2	150.6	155.5	G1/4"	4450	VXEFVDA212E	VXEFVDA212F
3"	80	6	174	248	33.3	181.4	155.5	G1/4"	5132	VXEFVDA300E	VXEFVDA300F
4"	100	6	212	283	39.3	204.4	210	G1/4"	8114	VXEFVDA400E	VXEFVDA400F

* PN10 upon request



VXEFV/CP NC

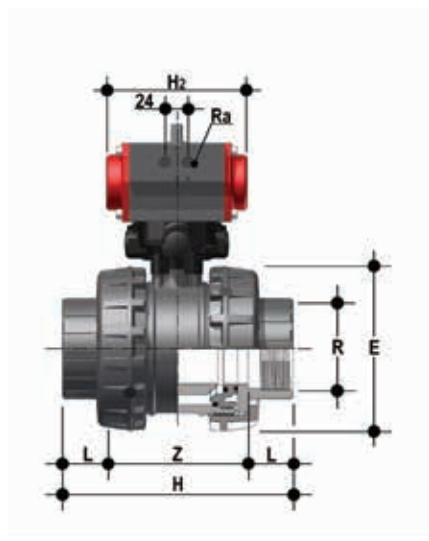
2 way Easyfit valve with gas cylinder thread female ends with pneumatic actuator, Normally Closed function

R	DN	*PN	E	H	L	Z	H ₂	R _a	g	EPDM Code	FKM Code
2 1/2"	65	6	157	211	30.2	150.6	210	G1/4"	5950	VXEFVNC212E	VXEFVNC212F
3"	80	6	174	248	33.3	181.4	210	G1/4"	6632	VXEFVNC300E	VXEFVNC300F
4"	100	6	212	283	39.3	204.4	210	G1/4"	9114	VXEFVNC400E	VXEFVNC400F

* PN10 upon request

DIMENSIONS

VXE/CP DN 65÷100 PVC-U

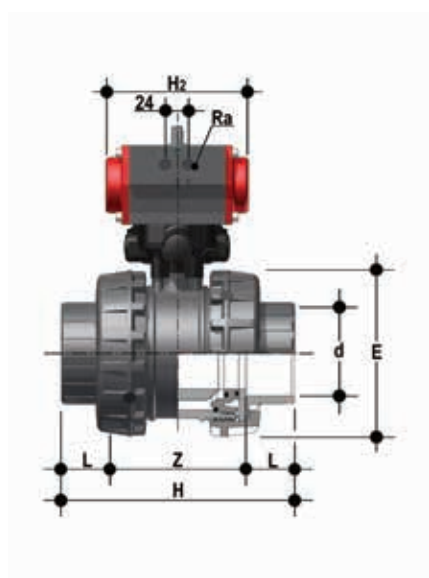


VXEFV/CP NO

2 way Easyfit valve with gas cylinder thread female ends with pneumatic actuator, Normally Open function

R	DN	*PN	E	H	L	Z	H ₂	R _a	g	EPDM Code	FKM Code
2 1/2"	65	6	157	211	30.2	150.6	210	G1/4"	5950	VXEFVNO212E	VXEFVNO212F
3"	80	6	174	248	33.3	181.4	210	G1/4"	6632	VXEFVNO300E	VXEFVNO300F
4"	100	6	212	283	39.3	204.4	210	G1/4"	9114	VXEFVNO400E	VXEFVNO400F

* PN10 upon request



VXEJV/CP DA

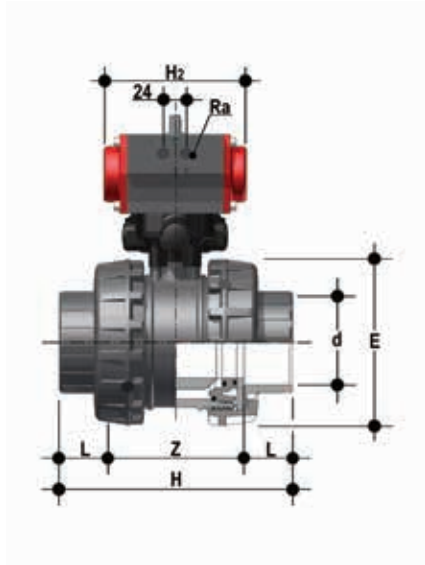
2 way Easyfit valve with female ends for solvent welding, JIS series with pneumatic actuator, Double-Acting function

d	DN	*PN	E	H	L	Z	H ₂	R _a	g	EPDM Code	FKM Code
2 1/2"	65	6	157	243	61	121	155.5	G1/4"	4450	VXEJVDA212E	VXEJVDA212F
3"	80	6	174	272	64.5	143	155.5	G1/4"	5132	VXEJVDA300E	VXEJVDA300F
4"	100	6	212	332	84	164	210	G1/4"	8114	VXEJVDA400E	VXEJVDA400F

* PN10 upon request

DIMENSIONS

VXE/CP DN 65÷100 PVC-U

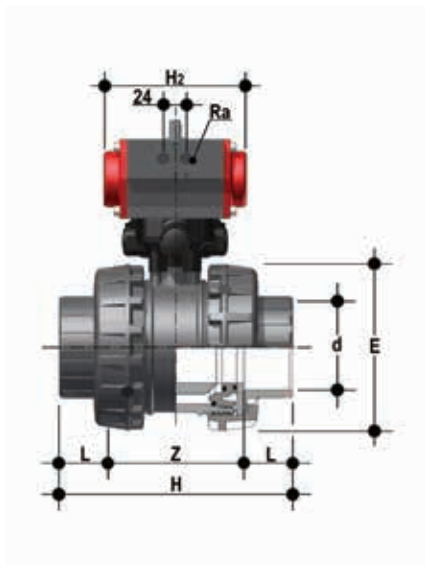


VXEJV/CP NC

2 way Easyfit valve with female ends for solvent welding, JIS series with pneumatic actuator, Normally Closed function

d	DN	*PN	E	H	L	Z	H ₂	R _a	g	EPDM Code	FKM Code
2 1/2"	65	6	157	243	61	121	210	G1/4"	5950	VXEJVNC212E	VXEJVNC212F
3"	80	6	174	272	64.5	143	210	G1/4"	6632	VXEJVNC300E	VXEJVNC300F
4"	100	6	212	332	84	164	210	G1/4"	9114	VXEJVNC400E	VXEJVNC400F

* PN10 upon request



VXEJV/CP NO

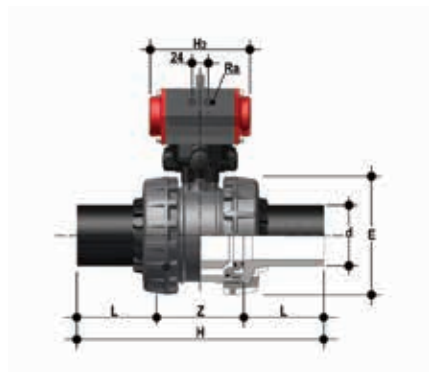
2 way Easyfit valve with female ends for solvent welding, JIS series with pneumatic actuator, Normally Open function

d	DN	*PN	E	H	L	Z	H ₂	R _a	g	EPDM Code	FKM Code
2 1/2"	65	6	157	243	61	121	210	G1/4"	5950	VXEJVNO212E	VXEJVNO212F
3"	80	6	174	272	64.5	143	210	G1/4"	6632	VXEJVNO300E	VXEJVNO300F
4"	100	6	212	332	84	164	210	G1/4"	9114	VXEJVNO400E	VXEJVNO400F

* PN10 upon request

DIMENSIONS

VXE/CP DN 65÷100 PVC-U

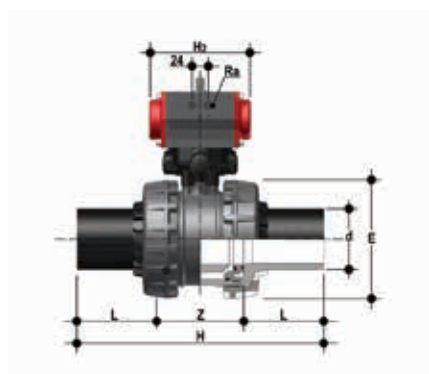


VXE/CP DA

2-way Easyfit valve with PE100 SDR 11 male ends for butt welding or electrofusion welding (CVDE) with pneumatic actuator, Double-Acting function.

d	DN	*PN	E	H	L	Z	H ₂	R _a	g	EPDM Code	FKM Code
75	65	6	157	331	71	189	155.5	G1/4"	3986	VXEBEVDA075E	VXEBEVDA075F
90	80	6	174	367	88	191	155.5	G1/4"	4759	VXEBEVDA090E	VXEBEVDA090F
110	100	6	212	407	92	223	210	G1/4"	7773	VXEBEVDA110E	VXEBEVDA110F

* PN10 upon request

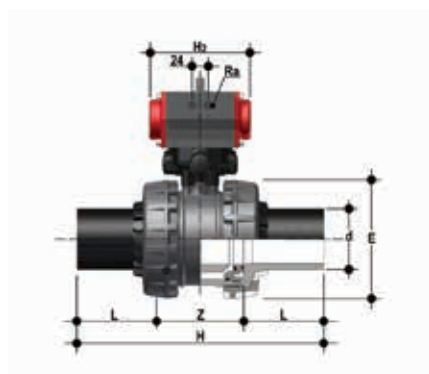


VXE/CP NC

2-way Easyfit valve with PE100 SDR 11 male ends for butt welding or electrofusion welding (CVDE) with pneumatic actuator, Normally Closed function

d	DN	*PN	E	H	L	Z	H ₂	R _a	g	EPDM Code	FKM Code
75	65	6	157	331	71	189	155.5	G1/4"	5486	VXEBEVNC075E	VXEBEVNC075F
90	80	6	174	367	88	191	155.5	G1/4"	6259	VXEBEVNC090E	VXEBEVNC090F
110	100	6	212	407	92	223	210	G1/4"	8773	VXEBEVNC110E	VXEBEVNC110F

* PN10 upon request



VXE/CP NO

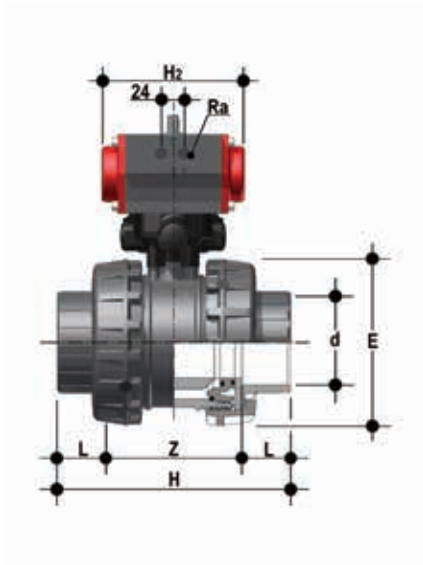
2-way Easyfit valve with PE100 SDR 11 male ends for butt welding or electrofusion welding (CVDE) with pneumatic actuator, Normally Open function.

d	DN	*PN	E	H	L	Z	H ₂	R _a	g	EPDM Code	FKM Code
75	65	6	157	331	71	189	155.5	G1/4"	5486	VXEBEVNO075E	VXEBEVNO075F
90	80	6	174	367	88	191	155.5	G1/4"	6259	VXEBEVNO090E	VXEBEVNO090F
110	100	6	212	407	92	223	210	G1/4"	8773	VXEBEVNO110E	VXEBEVNO110F

* PN10 upon request

DIMENSIONS

VXE/CP DN 65÷100 PVC-C

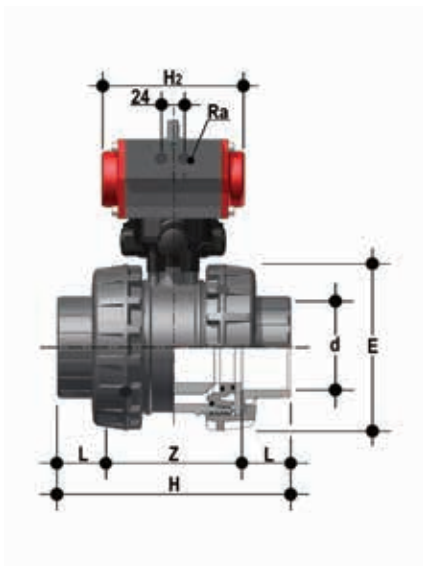


VXEIC/CP DA

2 way Easyfit valve with female ends for solvent welding, metric series with pneumatic actuator, Double-Acting function

d	DN	*PN	E	H	L	Z	H ₂	R _o	g	EPDM Code	FKM Code
75	65	6	157	211	44	123	155.5	G1/4"	4698	VXEICDA075E	VXEICDA075F
90	80	6	174	248	51	146	155.5	G1/4"	5441	VXEICDA090E	VXEICDA090F
110	100	6	212	283	61	161	210	G1/4"	8637	VXEICDA110E	VXEICDA110F

* PN10 upon request



VXEIC/CP NC

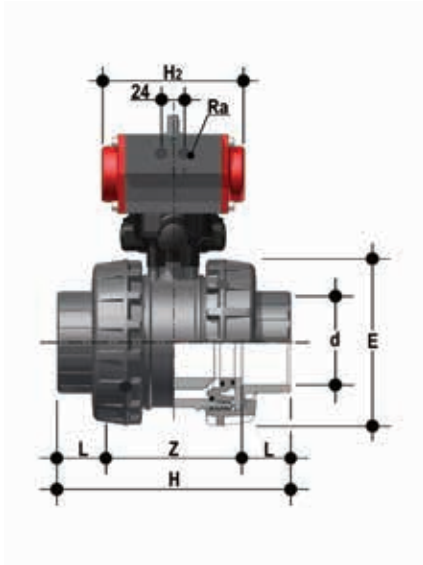
2 way Easyfit valve with female ends for solvent welding, metric series with pneumatic actuator, Normally Closed function

d	DN	*PN	E	H	L	Z	H ₂	R _o	g	EPDM Code	FKM Code
75	65	6	157	211	44	123	210	G1/4"	6198	VXEICNC075E	VXEICNC075F
90	80	6	174	248	51	146	210	G1/4"	6941	VXEICNC090E	VXEICNC090F
110	100	6	212	283	61	161	210	G1/4"	9637	VXEICNC110E	VXEICNC110F

* PN10 upon request

DIMENSIONS

VXE/CP DN 65÷100 PVC-C

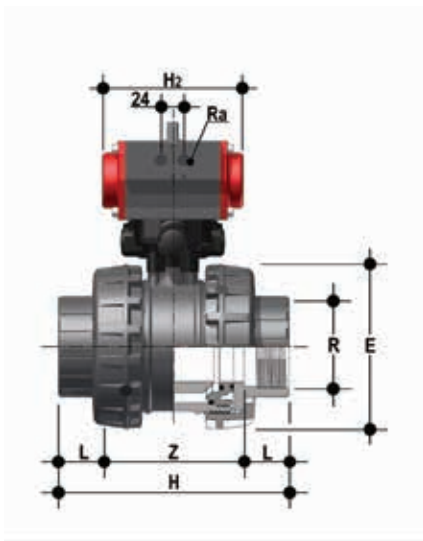


VXEIC/CP NO

2 way Easyfit valve with female ends for solvent welding, metric series with pneumatic actuator, Normally Open function

d	DN	*PN	E	H	L	Z	H ₂	R _a	g	EPDM Code	FKM Code
75	65	6	157	211	44	123	210	G1/4"	6198	VXEICNO075E	VXEICNO075F
90	80	6	174	248	51	146	210	G1/4"	6941	VXEICNO090E	VXEICNO090F
110	100	6	212	283	61	161	210	G1/4"	9637	VXEICNO110E	VXEICNO110F

* PN10 upon request



VXEFC/CP DA

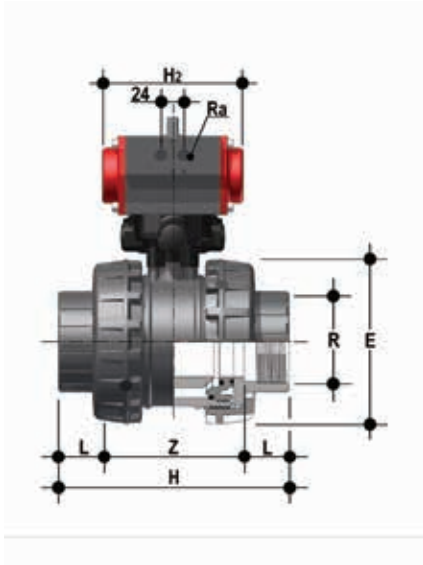
2 way Easyfit valve with gas cylinder thread female ends with pneumatic actuator, Double-Acting function

R	DN	*PN	E	H	L	Z	H ₂	R _a	g	EPDM Code	FKM Code
2 1/2"	65	6	157	211	30.2	150.6	155.5	G1/4"	4698	VXEFCDA212E	VXEFCDA212F
3"	80	6	174	248	33.3	181.4	155.5	G1/4"	5441	VXEFCDA300E	VXEFCDA300F
4"	100	6	212	283	39.3	204.4	210	G1/4"	8637	VXEFCDA400E	VXEFCDA400F

* PN10 upon request

DIMENSIONS

VXE/CP DN 65÷100 PVC-C

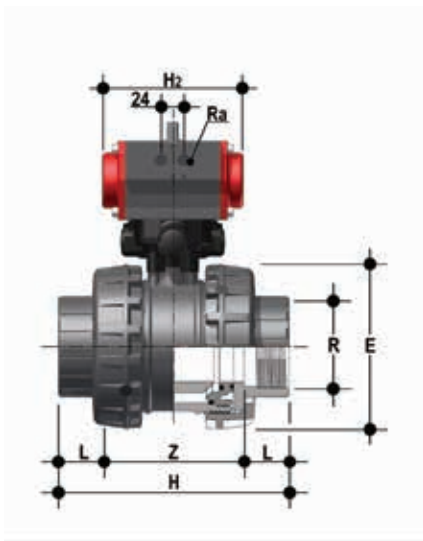


VXEFC/CP NC

2 way Easyfit valve with gas cylinder thread female ends with pneumatic actuator, Normally Closed function

R	DN	*PN	E	H	L	Z	H ₂	R _a	g	EPDM Code	FKM Code
2"1/2	65	6	157	211	30.2	150.6	210	G1/4"	6198	VXEFCNC212E	VXEFCNC212F
3"	80	6	174	248	33.3	181.4	210	G1/4"	6941	VXEFCNC300E	VXEFCNC300F
4"	100	6	212	283	39.3	204.4	210	G1/4"	9637	VXEFCNC400E	VXEFCNC400F

* PN10 upon request



VXEFC/CP NO

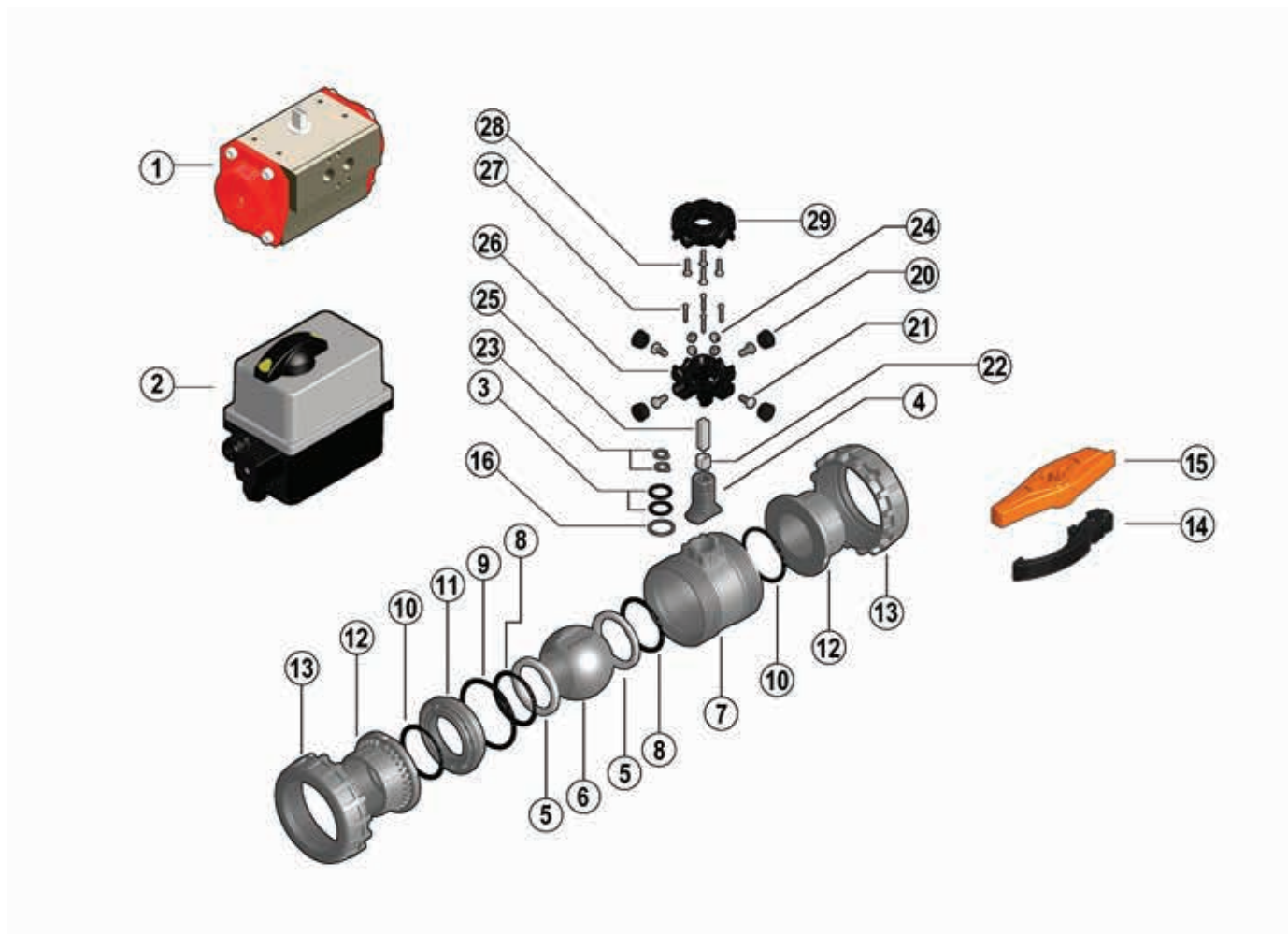
2 way Easyfit valve with gas cylinder thread female ends with pneumatic actuator, Normally Open function

R	DN	*PN	E	H	L	Z	H ₂	R _a	g	EPDM Code	FKM Code
2"1/2	65	6	157	211	30.2	150.6	210	G1/4"	6198	VXEFCNO212E	VXEFCNO212F
3"	80	6	174	248	33.3	181.4	210	G1/4"	6941	VXEFCNO300E	VXEFCNO300F
4"	100	6	212	283	39.3	204.4	210	G1/4"	9637	VXEFCNO400E	VXEFCNO400F

* PN10 upon request

COMPONENTS

EXPLODED VIEW



- | | | | | | |
|----------|---|-----------|--|-----------|--------------------------------------|
| 1 | Pneumatic actuator (Finished aluminium - 1) | 9 | Radial seal O-Ring (FKM, EPDM - 1)* | 20 | Protection plug (PP - 4) |
| 2 | Electric actuator (PA6-Nylon - 1) | 10 | Socket seal O-Ring (EPDM-FKM - 2)* | 21 | Screw (STAINLESS steel - 4) |
| 3 | Stem O-Ring (FKM, EPDM - 2)* | 11 | Ball seat carrier (PVC-U / PVC-C - 1)* | 22 | Reduction (STAINLESS steel - 1) |
| 4 | Stem (PVC-U / PVC-C - 1)* | 12 | End connector (PVC-U / PVC-C - 2) | 23 | Seeger ring (STAINLESS steel - 2) |
| 5 | Ball seal (PTFE - 2)* | 13 | Union nut (PVC-U / PVC-C - 2)* | 24 | Nut (stainless steel - 4) |
| 6 | Ball (PVC-U / PVC-C - 1)* | 14 | Hooked Easyfit multifunctional handle insert (PP-GR - 1) | 25 | Connection rod (/stainless steel -1) |
| 7 | Body (PVC-U / PVC-C - 1) | 15 | Easyfit multifunctional handle (HIPVC - 1) | 26 | Lower plate (PP-GR - 1) |
| 8 | Ball seat O-Ring (FKM, EPDM - 2)* | 16 | Anti-friction disk (PTFE - 1)* | 27 | Screw (STAINLESS steel - 4) |
| | | | | 28 | Screw (STAINLESS steel - 4) |
| | | | | 29 | Upper plate (PP-GR - 1) |

* Spare parts

The material the component is made of and the quantity supplied are shown in brackets

DISASSEMBLY

- 1) Isolate the valve from the line (release the pressure and empty the pipeline).
- 2) Disconnect the actuator from the compressed air supply and/or power mains.
- 3) Remove the screws (21) and lift the actuator (1/2) with the plate (29).
- 4) Use the Easyfit multifunctional handle (14/15) (fig. 3/4) as a wrench to fully unscrew the union nuts (13) (fig.5) from the valve body and laterally remove the body (7) (fig. 1).
- 5) Before dismantling, hold the valve in a vertical position and open it 45° to drain any liquid that might remain.
- 6) Open the valve.
- 7) Remove the ball seat carrier (11) using the Easyfit quick release handle. Insert the two protrusions at the top of the handle (15) in the seat carriers (11) and unscrew, extracting it by turning counter-clockwise (fig. 2).
- 8) Press on the ball from the side opposite the "REGULAR" label, being sure not to scratch it, until the ball seat exits (5), then extract the ball (6).
- 9) Press the stem inwards and extract it from the body and remove the anti-friction disk (16).
- 10) Remove the O-Ring (3, 8, 9, 10) and ball seats (5) extracting them from their seats, as illustrated in the exploded view.

ASSEMBLY

- 1) All the O-rings (3, 8, 9, 10) must be inserted in their grooves as shown in the exploded view.
- 2) Place the anti-friction disk (16) on the stem (4) and insert it in the body (7).
- 3) Place the PTFE ball seats (5) in the housings in the body (7) and in the ball seat carrier (11).
- 4) Insert the ball (6) rotating it to the closed position.
- 5) Screw the carrier (11) into the body and tighten up in the clockwise direction using the handle (15) to limit stop.
- 6) Position the valve between the end connectors (12) and tighten the union nuts clockwise (13) using the Easyfit multifunctional handle (14/15) (fig. 5) and being sure the socket seal O-rings (10) do not exit the seats.
- 7) Reassemble the actuator (1/2) with plate (29) on the valve making sure the ball position (6) and actuator stem are aligned.
- 8) Tighten the screws (21) and reconnect the actuator to the pneumatic and/or power supplies.



All operations on equipment under pressure or containing compressed springs must be carried out under safe conditions for the operator.

Note: during mounting operations, it is advisable to lubricate the rubber seals. Mineral oils are not recommended for this task as they react aggressively with EPDM rubber.

The photos refer to the manual version and are purely exemplary.

Fig. 1



Fig. 2



Fig. 3



Fig. 4



INSTALLATION

Before proceeding with installation, please follow these instructions carefully:

1) Check that the pipes to be connected to the valve are aligned in order to avoid mechanical stress on the threaded joints.

2) Unscrew the union nuts (13) from the body (7) and insert them in the pipe segments.

3) Solvent weld or screw the end connectors (12) onto the pipe segments.

4) Position the valve body between the end connectors.

Warning: if a high pressure test is required, always position the body with the "REGULAR" label upstream from the fluid direction.

5) Place the union nuts on the valve body and start tightening manually clockwise until they are hard to turn. To complete tightening, use the Easyfit multifunctional handle (14/15).

6) Extract the hooked insert (14) in the handle (fig. 3) overturn it and fit it in the seat on the lower part of the handle (fig. 4).

7) Fit the tool on the external union nut profile until firmly and safely secured that allows for adequate torque without damaging the union nut in any way (fig. 5).

8) Repeat point 7 for the other union nut.

9) If necessary, support pipes with FIP pipe clip model ZIKM and DSM spacers.

WARNINGS

- If volatile liquid such as Hydrogen Peroxide (H₂O₂) or Sodium Hypochlorite (NaClO) is used, for safety reasons we recommend you contact the service centre. These liquids, upon vaporising, could create hazardous over pressures in the area between the body and ball.

- Always avoid sudden closing manoeuvres that can generate water hammer. For this reason, we recommend you equip pneumatic actuators with air speed reducers.

Fig.5



ACCESSORIES

Electrically and pneumatically
actuated valves



Electrically actuated valves

Accessories

Series VKD - TKD - FE - FK - VXE

Accessory reference in valve code

Character position examples

Valve description	Valve code (without accessories)	Reference (last three positions to be added at the end of the valve code)		
Two-way ball valve VKDIV d32 DN25, body in PVC-U and seals in EPDM, ISO fittings for solvent welding female ends, with electric actuator 90-240 V AC and Positioner 4-20 mA / 0-10V	VKDIVEM032E	0	E	-
Butterfly valve FK d90 DN80, with disk in PP-H and seals in FKM, with electric actuator 24V AC/DC with Fail Safe unit	FKOMEL090F	0	F	S
Three-way ball valve 1" 1/2 TKD, body in PVC-U and seals in EPDM, BSP threaded female fittings, ball configuration C3, with electric actuator 90-240V AC and 10W heating element kit	TKDFVEM112E	3	0	H
Only if positions 2 and 3 are used		0		
316 stainless steel stem (for FE - FK butterfly valves only)		X		
C1 ball configuration (for three-way ball valves only)		1		
C2 ball configuration (for three-way ball valves only)		2		
C3 ball configuration (for three-way ball valves only)		3		
Position 1 C4 ball configuration (for three-way ball valves only)		4		
			0	
			E	
			M	
			T	
			1	
			2	
			3	
			4	
Position 2 *Fail Safe unit			F	S
Position 3 Heating element kit 10W				H

4-20 mA/0-10V positioner and 4-20 mA transmitter***

Electronic positioner with built-in position transmitter: INPUT 4-20 mA / 0-10V DC. Feedback 4-20 mA / 0-10 V DC

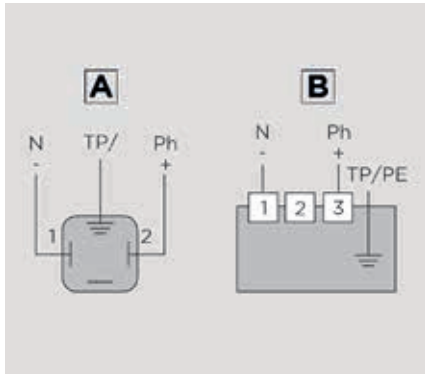
For use with valves in series:	DN	POS.1*	POS.2*	POS.3*
**VKD, TKD	ALL	-	E	-
**VXE	65÷100	-	E	-
**FE, FK	<125	-	E	-
**FE, FK	≥125	-	E	-

*Reference (last three positions to be added at the end of the valve code)

**factory assembled only

*** The actuator model with the same input and power settings but with IP66 and 50% Duty Cycle will be automatically supplied when requesting this accessory on a valve model with IP65 actuator and 30% Duty Cycle

WIRING DIAGRAM

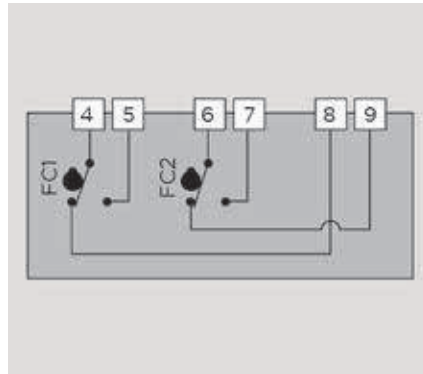


A: VKD/TKD/FE/FK DN < 125

B: FE/FK DN ≥ 125

POWER CONNECTION DIAGRAM

- 1 Shared
- 2 Open
- 3 Closed

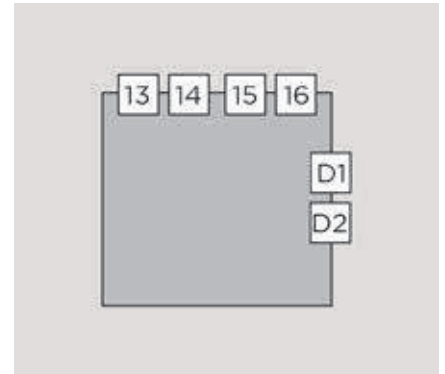


AUXILIARY LIMIT SWITCH CONNECTION DIAGRAM

FC1 Open auxiliary limit switch

FC2 Close auxiliary limit switch

- 4 Shared FC1
- 5 Open FC1
- 6 Shared FC2
- 7 Open FC2
- 8 Close FC1
- 9 Close FC2



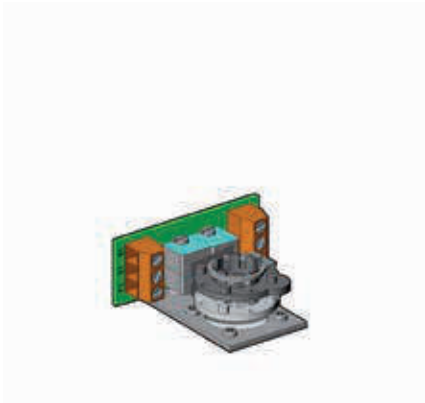
SIGNAL

- 13 Output +
- 14 Output -
- 15 Input -
- 16 Input +

- D1 Error feedback
- D2 Error feedback

Technical Data

Board resolution	1°
Input impedance	10 kOhm (0-10V), 100 Ohm (4-20 mA)
Input signal	4-20 mA / 0-10 V
Output signal	4-20 mA / 0-10 V
Error feedback relay capacity	24 V DC - 3 A max
Temperature	-10°, +55°



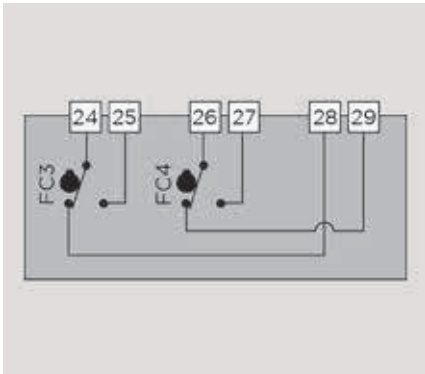
Two auxiliary limit switches

Two limit switches in addition to the standard 2 (four in total)

For use with valves in series:	DN	POS.1*	POS.2*	POS.3*
**VKD, TKD, FE, FK	ALL	-	M	-
**VXE	65÷100	-	M	-

*Reference (last three positions to be added at the end of the valve code)
 ** factory assembled only

WIRING DIAGRAM



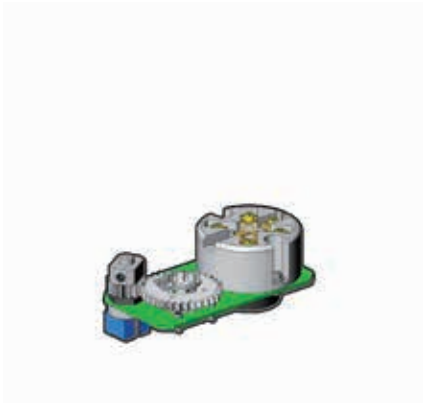
FC3 Auxiliary 3 limit switch
FC4 Auxiliary 4 limit switch

- 24** Shared FC3
- 25** Open FC3
- 26** Shared FC4
- 27** Open FC4
- 28** Close FC3
- 29** Close FC4

Technical Data	
Maximum voltage	240 AC/DC
Empty	Min 10mA - Max 5A

4-20 mA position transmitter

Valve position transmitter via 4-20 mA signal for 90°

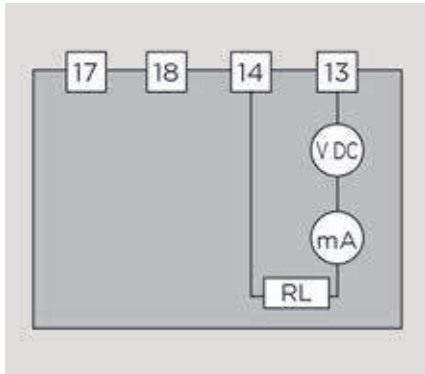


For use with valves in series:	DN	POS.1*	POS.2*	POS.3*
**VKD, TKD, FE, FK	ALL	-	T	-
**VXE	65÷100	-	T	-

*Reference (last three positions to be added at the end of the valve code)

** factory assembled only

WIRING DIAGRAM



RL Load resistance

13 Output +

14 Output -

17 Power (-24V DC)

18 Power (+24V DC)

Technical Data	
Reading angle	90°
Tolerance	+/- 10%
Temperature	-10°, +60°
CURRENT OUTPUT	
Signal	4-20mA / 0-20mA*
Resolution	20 microA
Full-scale precision	+/- 5%
Maximum resistive load	800 Ohms
VOLTAGE OUTPUT	
Signal	0-10V*
Resolution	10mV
Full-scale precision	+/- 5%
Minimum resistive load	1 kOhms

*Settable on the actuator board



Potentiometer

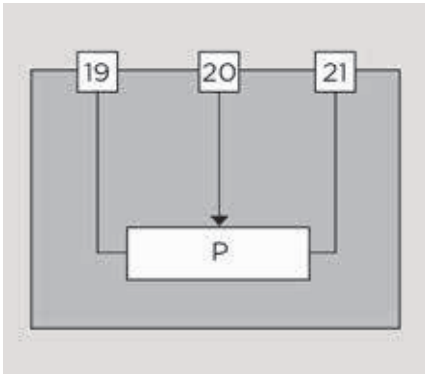
Valve position feedback potentiometer with 100, 1000, 5000, 10000 Ohms per 90°

For use with valves in series:	Ohm	POS.1*	POS.2*	POS.3*
**VKD, TKD, VXE, FE, FK	100	-	1	-
**VKD, TKD, VXE, FE, FK	1,000	-	2	-
**VKD, TKD, VXE, FE, FK	5,000	-	3	-
**VKD, TKD, VXE, FE, FK	10,000	-	4	-

*Reference (last three positions to be added at the end of the valve code)

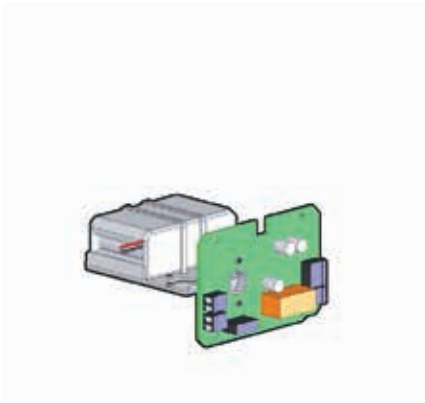
** factory assembled only

WIRING DIAGRAM



P Potentiometer
19 Shared or -
20 Value reading
21 Phase or +

Technical Data	
Reading angle	90°
Linearity	+/-5%
Tolerance	+/-10%
Max power	1W (240V AC/DC at 125°C)



Fail Safe Unit***

Built-in unit for safe return in the event of power outage

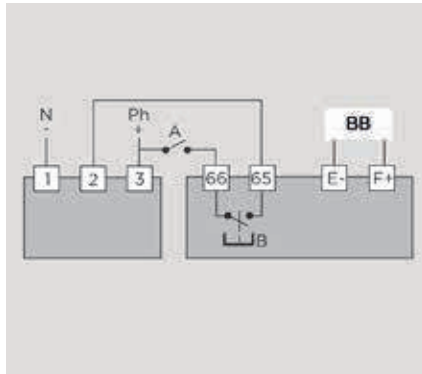
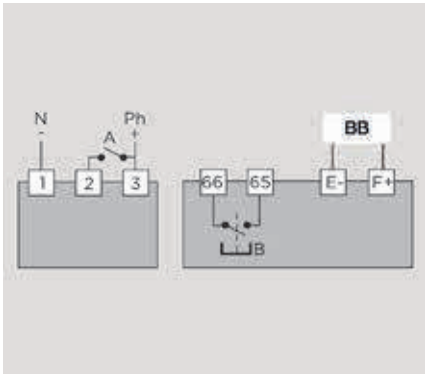
For use with valves in series:	DN	POS.1*	POS.2*	POS.3*
**VKD, TKD, VXE, FE	ALL	-	F	S
FK	40÷200	-	F	S

*Reference (last three positions to be added at the end of the valve code)

** factory assembled only

*** The actuator model with the same input and power settings but with IP66 and 50% Duty Cycle will be automatically supplied when requesting this accessory on a valve model with IP65 actuator and 30% Duty Cycle

WIRING DIAGRAM



STANDARD CONFIGURATION

- A** Open command
- B** Load feedback relay
- 1** Neutral /-
- 2** Open
- 3** Phase /+
- 65** Relay B contact
- 66** Relay B contact
- BB** Battery block 18V DC

CONFIGURATION WITH LOAD CONTROL

- A** Open command
- B** Load feedback relay
- 1** Neutral /-
- 2** Open
- 3** Phase /+
- 65** Relay B contact
- 66** Relay B contact
- BB** Battery block 18V DC

Technical Data	
Voltage	18V DC
Rated current	0.8A
Maximum current	2.4A
Initial load duration	14h max
Load feedback relay capacity	24V DC - 1A max
Temperature	-10°C - 40°C

Anti-condensation heating element***

Heating element kit 10W



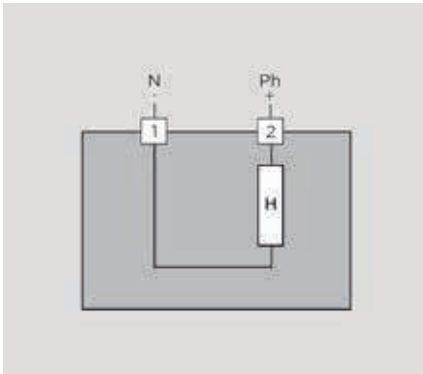
For use with valves in series:	DN	POS.1*	POS.2*	POS.3*
**VKD, TKD	ALL	-	-	H
**VXE	65÷100	-	-	H
**FE, FK	40÷100	-	-	H

*Reference (last three positions to be added at the end of the valve code)

** factory assembled only

*** The actuator model with the same input and power settings but with IP66 and 50% Duty Cycle will be automatically supplied when requesting this accessory on a valve model with IP65 actuator and 30% Duty Cycle

WIRING DIAGRAM



Pneumatically actuated valves

Accessories

Series VKD - TKD - FE - FK - VXE

Accessory reference in valve code

Character position examples

Valve description	Valve code (without accessories)	Reference (last three positions to be added at the end of the valve code)		
Two-way ball valve VKDIV d32 DN25, body in PVC-U and seals in EPDM, female ISO fittings for welding, with pneumatic actuator, Single-acting, Normally closed with electromechanical microswitch box	V K D I V N C 0 3 2 E	0	M	-
Butterfly valve FK d90 DN80, with disk in PP-H and seals in FKM, with pneumatic actuator Single-acting, Normally Open, with smart electro-pneumatic positioner 4-20 mA	F K O M N O 0 9 0 F	0	E	-
Three-way ball valve 1" 1/2 TKD, body in PVC-U and seals in EPDM, BSP threaded female fittings, ball configuration C3, with pneumatic actuator Single-acting, with NAMUR 3-5/2 way pilot solenoid valve 230V AC	T K D F V S E 1 1 2 E	3	0	4
Only if positions 2 and 3 are used		0		
316 stainless steel stem (for FE - FK butterfly valves only)		X		
C1 ball configuration (for three-way ball valves only)		1		
C2 ball configuration (for three-way ball valves only)		2		
C3 ball configuration (for three-way ball valves only)		3		
Position 1 C4 ball configuration (for three-way ball valves only)		4		
Only if position 3 is used			0	
• Optical position indicator			V	
Electromechanical microswitch box			M	
NAMUR inductive microswitch box			N	
PNP10000 ohm inductive microswitch box			I	
Position 2 Smart electro-pneumatic positioner 4-20 mA			E	
3-5/2 way pilot solenoid valve Namur "2EV" 24V DC				1
3-5/2 way pilot solenoid valve Namur "2EV" 24V AC				2
3-5/2 way pilot solenoid valve Namur "2EV" 110V AC				3
Position 3 3-5/2 way pilot solenoid valve Namur "2EV" 230V AC				4



Optical position indicator

Optical position indicator (cannot be assembled with microswitch box)

For use with valves in series:	DN	Code	POS.1*	POS.2*	POS.3*
VKD	ALL	OPI01	-	V	-
VXE	65 ÷ 100	OPI01	-	V	-
FE/FK NC	40 ÷ 100	OPI01	-	V	-
FE/FK NC	125 ÷ 200	OPI02	-	V	-
FE/FK NC	250 ÷ 300	OPI03	-	V	-
FK NC	350 ÷ 400	OPI04	-	V	-
FE/FK DA	40 ÷ 150	OPI01	-	V	-
FE/FK DA	200 ÷ 300	OPI02	-	V	-
FK/DA	350 ÷ 400	OPI03	-	V	-

*Reference (last three positions to be added at the end of the valve code)
 Note: standard on VKD, VXE, FE, FK Normally Open (NO) and on all TKD

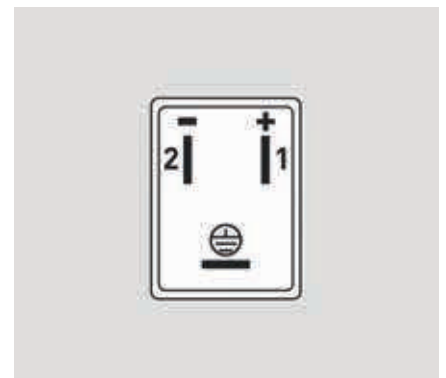
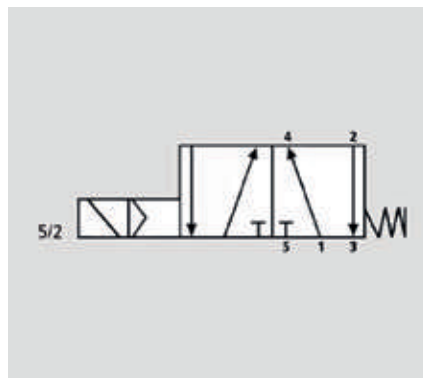
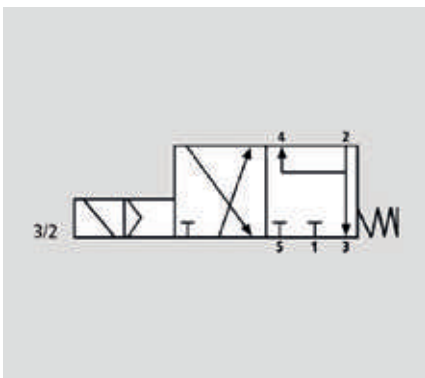
NAMUR "2EV" pilot solenoid valve

3-5/2 way pilot solenoid valve, NAMUR for direct assembly on actuator



For use with valves in series:	Voltage	Code	POS.1*	POS.2*	POS.3*
VKD, VXE, TKD, FE, FK	24V DC	2EV024DC	-	-	1
VKD, VXE, TKD, FE, FK	24V AC	2EV024AC	-	-	2
VKD, VXE, TKD, FE, FK	110V AC	2EV110AC	-	-	3
VKD, VXE, TKD, FE, FK	220V AC	2EV220AC	-	-	4

*Reference (last three positions to be added at the end of the valve code)



PNEUMATIC CONNECTIONS

- 1 Power
- 3-5 Discharge
- 2 Output (SA)
- 2- Outputs (DA)

Technical Data	
Function	3/2 way (SA) and 5/2 way (DA)
Voltage	24, 110, 220V AC 50-60 Hz, 24V DC
Max absorption	5.5 VA (AC), 4.8W (DC)
Working pressure	2-10 bar
Air flow	950 l/min
Protection class	IP65
Pneumatic connections	G1/4"
Cable inlet	PG9 (6÷9 mm)
Temperature range	-20° ÷ +50 °C
Service	100% ED
Weight	280g
Material	Body: aluminium Gaskets: NBR

Direct assembly as per VDI/VDE 3845
Special and ATEX versions upon request



LSQT limit switch box

New **Technopolymer** limit switch box for quarter turn valves combining easy installation with great versatility of use, even in corrosive environments.

- **Compact design** with threaded cover
- Plastic installation clips and brackets
- Protection class **IP67** or higher guaranteed by safety pin insert
- **Configurable optical indicator** with high visibility yellow arrows
- Label with QR code for digital installation assistance
- Versatility of installation on all quarter turn actuators and FIP manual valves

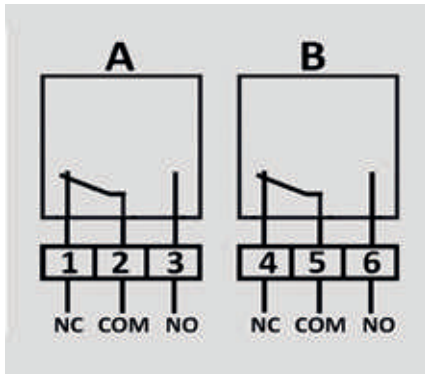
LSQTMEC

IP67 box containing two electro-mechanical microswitches and configurable optical indicator

For use with valves in series:	DN	Code	POS.1*	POS.2*	POS.3*
VKD, TKD, FE, FK	ALL	LSQTMEC	-	M	-
VXE	65 ÷ 100	LSQTMEC	-	M	-

*Reference (last three positions to be added at the end of the valve code)

WIRING DIAGRAM



TECHNICAL DATA

Switch type	SPDT, OMRON D3V-16-1C5
Contacts rate	0.3A (250 VDC) - 0.6A (125 VDC) - 10A (250 VAC)
Protection class	IP67 / DIN EN 60529
Temperature range	-10°/+50°C
Cable inlet	1 M20x1.5 / 6-12mm cable gland

LSQTPNP

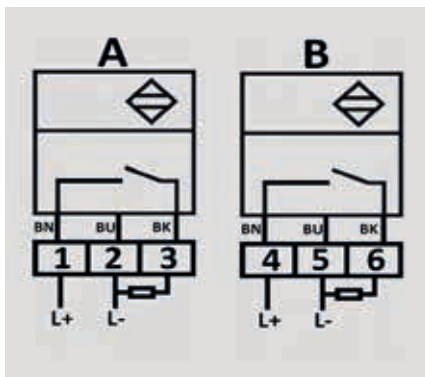
IP68 box containing two inductive PNP (3 wire) microswitches with configurable optical indicator

For use with valves in series:	DN	Code	POS.1*	POS.2*	POS.3*
VKD, TKD, FE, FK	ALL	LSQTPNP	-	I	-
VXE	65 ÷ 100	LSQTPNP	-	I	-

*Reference (last three positions to be added at the end of the valve code)

Note: for the version with NAMUR inductive microswitches and ATEX certification, contact our technical assistance service.

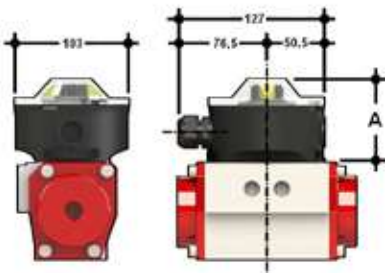
WIRING DIAGRAM



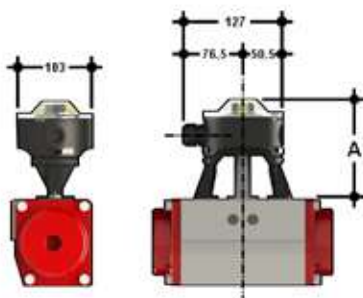
TECHNICAL DATA

Switch type	Inductive PNP 3-wire, P+F NBN4-V3-E2
Voltage	10-30 V DC
Frequency	0-500 Hz
Operating current	0-100mA
No-load current	<=15mA
Protection class	IP68 / DIN EN 60529
Temperature range	-10°/+50°C
Cable inlet	1 M20x1.5 / 6-12mm cable gland

Dimensions common to all versions



For use with valves in series:	DN	A
VKD	10 ÷ 100	71.5
VXE	65 ÷ 100	71.5
TKD	10 ÷ 50	71.5
FE-FK/CP NC-NO	40 ÷ 100	71.5
FE-FK/CP NC-NO	125 ÷ 400	126.5
FE-FK/CP DA	40 ÷ 150	71.5
FE-FK/CP DA	200 ÷ 400	126.5



For use with valves in series:	DN	A
VKD	10 ÷ 100	71.5



Electro-pneumatic positioner

Single and Double-acting smart electro-pneumatic positioner with 4 - 20 mA input plus 4-20 mA transmitter

For use with valves in series:	DN	POS.1*	POS.2*	POS.3*
**VKD, VXE, TKD, FE, FK	ALL	-	E	-

*Reference (last three positions to be added at the end of the valve code)

**factory assembled only

Technical Data	
Input signal	4-20mA
Protection class	IP65 / EN 60529
Temperature range	0°C ÷ +60°C
Pneumatic connections	G 1/4"
Maximum supply pressure	7 bar
Air consumption	150 NI/min at 6 bar
Consumption	≤ 3,5W
Material	Body, cover: Painted aluminium
Voltage	24 V DC

Abbreviation Legend

ABS	Acrylonitrile butadiene styrene
b	bolts
c	O-Ring code
d	nominal external diameter of the pipe in mm
DA	double-acting
DN	nominal internal diameter of the pipe in mm
EPDM	Ethylene-Propylene-Diene-Monomer
FKM (FPM)	fluoroelastomer
g	weight in grams
HIPVC	PVC high impact
K	lid key
Kg	weight in kilograms
L	length in metres
MRS	minimum guaranteed value of the breaking strength of the material at 20°C - water - for 50 years' service
n	number of flange holes
NBR	nitrile butadiene rubber
OP	working pressure
P	pipe holder
PA	polyamide
PA-GR	fibreglass reinforced polyamide
PBT	polybutylene terephthalate
PE	polyethylene
PN	nominal pressure in bar (max. operating pressure at 20°C water)
POM	polyoxymethylene
PP-GR	fibreglass reinforced polypropylene
PP-H	polypropylene homopolymer

PPS	Polyphenylene sulphide
PPSU	Polyphenylsulfone
PTFE	polyethrafluorethylene
PVC-C	chlorinated polyvinyl chloride
PVC-U	unplasticized polyvinylchloride
PVDF	polyvinylidene difluoride
R	nominal thread size in inches
s	pipe thickness in mm
SA	single-acting
SDR	standard dimension ratio = d / s
Sp	flange thickness on flanged valvesa
U	number of flange holes for flanged valves



VXE/CE - VXE/CP DN 65÷100

PVC-U/PVC-C

ELECTRICALLY OR PNEUMATICALLY ACTUATED
TWO-WAY EASYFIT BALL VALVE



VXE/CE – VXE/CP

DN 65÷100

FIP and Giugiaro Design designed and developed VXE Easyfit, the innovative True Union ball valve with union nut tightening control system that permits simple and safe installation for reliable service in time.



ELECTRICALLY OR PNEUMATICALLY ACTUATED TWO-WAY EASYFIT BALL VALVE

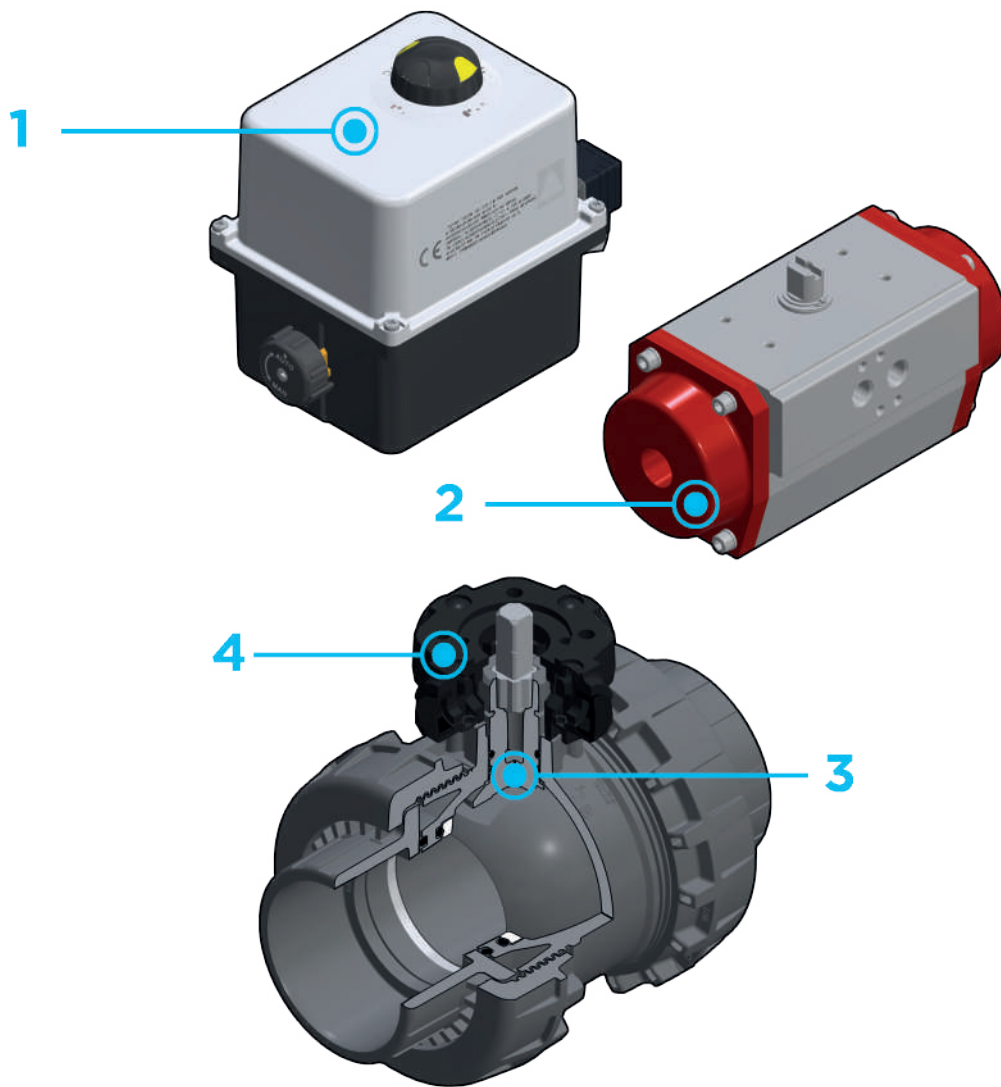
- Connection system using solvent welded and threaded joints
- **Patented Easyfit system:** innovative mechanism based on the multifunctional handle quick release mechanism that permits union nut rotation during valve installation and ball seat carrier adjustment
- **Valve material compatibility** (U PVC-C) and **elastomer seal elements** (EPDM or FKM), with water, drinking water and other food substances as per current regulations
- Easy radial dismounting allowing quick replacement of O-rings and ball seats without any need for tools
- **PN16 radial dismounting valve body** (True Union) made for PVC-C injection moulding and European Directive 2014/68/EC compliant for PED pressurised equipment. ISO 9393 compliant test requirements. Maximum fluid pressure for valve operation 6 bar.
- Valve body with built in anchoring frame for the special **Power Quick module** dedicated to accessory or pneumatic and electric actuator installation
- Option of disassembling downstream pipes with the valve in the closed position
- Floating **full bore ball** with high surface finish made in CNC work stations to achieve precise dimensional tolerance and high surface finish.

Technical specifications - VXE	
Construction	Easyfit 2-way True Union ball valve with locked carrier
Size range	DN 65 ÷ 100
Nominal pressure	PVC-U: PN 16 with water at 20° C PVC-C: PN16 with water at 20° C
Temperature range	PVC-U: 0 °C ÷ 60 °C PVC-C: 0° C ÷ 100° C
PVC-U coupling standards	Solvent welding: EN ISO 1452, EN ISO 15493, BS 4346-1, DIN 8063, NF T54-028, ASTM D 2467, JIS K 6743. Can be coupled to pipes according to EN ISO 1452, EN ISO 15493, DIN 8062, NF T54-016, ASTM D 1785, JIS K 6741. Thread: ISO 228-1, DIN 2999, ASTM D 2464, JIS B 0203.
PVC-C coupling standards	Solvent welding: EN ISO 15493, ASTM F 439. Can be coupled to pipes according to EN ISO 15493, ASTM F 441 Thread: ISO 228-1, DIN 2999, ASTM F 437 Flanging system: ISO 7005-1, EN ISO 15493, EN 558-1, DIN 2501, ANSI B.16.5 cl. 150, JIS B 2220.
Reference standards	PVC-U construction criteria: EN ISO 16135, EN ISO 1452, EN ISO 15493 PVC-C construction criteria: EN ISO 16135, EN ISO 15493 Test methods and requirements: ISO 9393 PVC-U/PVC-C installation criteria: DVS 2204, DVS 2221, UNI 11242 Actuator couplings: ISO 5211
Valve material	PVC-U / PVC-C
Seal material	EPDM, FKM (standard size O-Rings); PTFE (ball seats)
Control options	Electric actuator; pneumatic actuator

In addition to the manually actuated version, VXE is also available in VXE/CE electrically actuated and VXE/CP pneumatically actuated configurations. Actuators are firmly connected to the valve by the special FIP Power Quick modules fully made of PP-GR technopolymer. VXE/CE and VXE/CP are constructed with actuators meeting current regulations and selected by FIP according to their quality and reliability requirements. The efficiency of these valves, tested according to the company's quality standards, is guaranteed by the expertise and know-how that FIP dedicates to manufacturing its products.

Technical specifications - Electric actuator	
Reference standards	<p>Construction criteria: Electromagnetic compatibility EMC 2004/108/CE. Low voltage directive 2006/95/CE. Machinery directive 2006/42/CE. R.O.H.S. directive 2011/65/CE</p> <p>Coupling for valves: ISO 5211; DIN 3337</p>
Actuator material	<p>Plastic parts: PA6,6 FV 30% and Nylon. Metallic parts: 304L stainless steel or steel + tin-plating</p>
Supply Voltage	<p>12V DC* - 24V AC/DC - 90-240V AC - 400V three phase* *voltages available upon request</p>
Temperature range	<p>From -10 °C to +55 °C</p>
Standard equipment	<ul style="list-style-type: none"> • Manual safety override • Visual position indicator • Two auxiliary limit switches (5A) adjustable FC1, FC2 • Polyswitch torque limiter • Anti-condensation heating element (12V DC)
Accessories	<ul style="list-style-type: none"> • Positioner board 4-20 mA or 0-10V DC • Fail Safe unit • Anti-condensation heating element • Feedback potentiometer 100 - 1000 - 5000 - 10000 Ohm • 4-20 mA position transmitter • Kit with additional pair of auxiliary limit switches
Special versions upon request	<ul style="list-style-type: none"> • CEI34 50% service • Protection class IP68 or ATEX II 2 GD EEx d IIB T6 • Different operating times
Electrical connection	<ul style="list-style-type: none"> • Power supply: DIN 43650 connector 3P + GND • Limit switch: Cable gland ISO M20

Technical specifications - Pneumatic actuator	
Reference standards	<p>Construction criteria: Machinery directive 2006/42/CE R.O.H.S. directive 2011/65/CE EN 15714-3</p> <p>Coupling for valves: ISO 5211, DIN 3337</p> <p>Compressed air connections: NAMUR VDI\VDE-3845</p> <p>Top connections for accessories: NAMUR VDI\VDE-3845</p>
Actuator material	<p>Body: hard coat anodised extruded aluminium. IP67 Bonnet: polyester powder painted aluminium alloy Pinion: nickel-plated carbon steel Other materials available upon request</p>
Control air pressure	<p>From 5 to 8 bar. Pmax= 10 bar Reduced control pressure executions available upon request</p>
Power supply	<p>Dry or lubricated filtered compressed air. If using other fluids, contact the FIP service centre</p>
Temperature range	<p>From -20 °C to +80 °C</p>
Accessories	<ul style="list-style-type: none"> • Optical position indicator • LSQT electromechanical and PNP inductive limit switch boxes (Namur upon request) • Electric-pneumatic positioner 4-20 mA • 3-5/2 way pilot solenoid valves



1 Electric actuator constructed according to FIP specifications; with plastic shell and standard emergency override. Available with voltages from 12 to 240V.

2 Rack & pinion type pneumatic actuator constructed according to FIP specifications: fully protected against weather corrosion

available in double-acting (DA) or simple-acting normally closed (NC) or normally open (NO) versions.

3 Stem with high surface finish and **double O-Ring and PTFE anti-friction disk** that limits friction to a minimum and grants excellent operating torque.

4 Easy to install **Easyfit PowerQuick** module for pneumatic or electric actuator fully made of highly robust technopolymer.

TECHNICAL DATA

PRESSURE VARIATION ACCORDING TO TEMPERATURE

PVC-U BODY

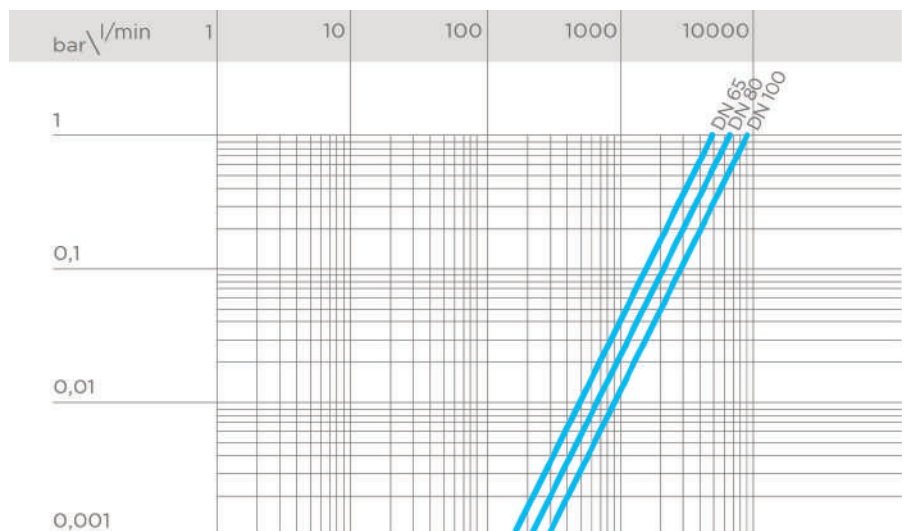
For water and non-hazardous fluids with regard to which the material is classified as CHEMICALLY RESISTANT. In other cases, a reduction of the nominal pressure PN is required (25 years with safety factor).



PVC-C BODY



PRESSURE DROP GRAPH



K_v100 FLOW COEFFICIENT

The K_v100 flow coefficient is the Q flow of litres per minute of water at a temperature of 20°C that will generate Δp= 1 bar pressure drop at a certain valve position.

The K_v100 values shown in the table are calculated with the valve completely open.

DN	65	80	100
Kv100 l/min	5000	7000	9400

ELECTRIC ACTUATOR DATA

DN 65 FUNCTIONAL CHARACTERISTICS

Characteristics	DC	AC/DC	AC
Power supply	*12V	24V	90±240V
Power	15W	15W	15W
Max operating time	11 s	12 s	13 s
IEC34 service	50%	30%	30%
Protection class	IP66	IP65	IP65
Frequency	-	50/60 Hz	50/60 Hz

DN 80 FUNCTIONAL CHARACTERISTICS

Characteristics	DC	AC/DC	AC
Power supply	*12V	24V	90±240V
Power	45W	45W	45W
Max operating time	11 s	12 s	13 s
IEC34 service	50%	30%	30%
Protection class	IP66	IP65	IP65
Frequency	-	50/60 Hz	50/60 Hz

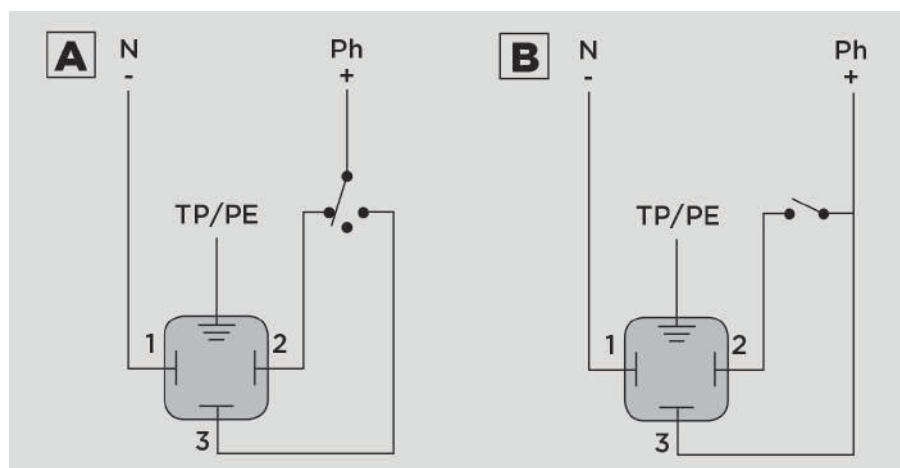
DN 100 FUNCTIONAL CHARACTERISTICS

Characteristics	DC	AC/DC	AC
Power supply	*12V	24V	90±240V
Power	45W	45W	45W
Max operating time	12 s	13 s	15 s
IEC34 service	50%	30%	30%
Protection class	IP66	IP65	IP65
Frequency	-	50/60 Hz	50/60 Hz

*Upon request

POWER CONNECTION DIAGRAM

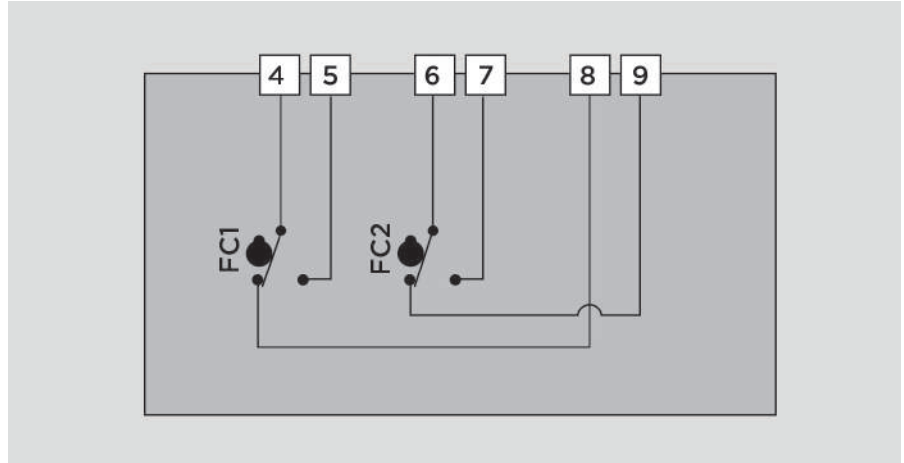
- 1 Shared
- 2 Open
- 3 Closed



AUXILIARY LIMIT SWITCH CONNECTION DIAGRAM

FC1 Open auxiliary limit switch
FC2 Close auxiliary limit switch

- 4** Shared FC1
- 5** Open FC1
- 6** Shared FC2
- 7** Open FC2
- 8** Close FC1
- 9** Close FC2



PNEUMATIC ACTUATOR DATA

FUNCTIONAL CHARACTERISTICS

Function type	double-acting	Normally closed (NC)	Normally Open (NO)
Valve opening	air	air	spring
Valve closing	air	spring	air

ACTUATOR CAPACITY

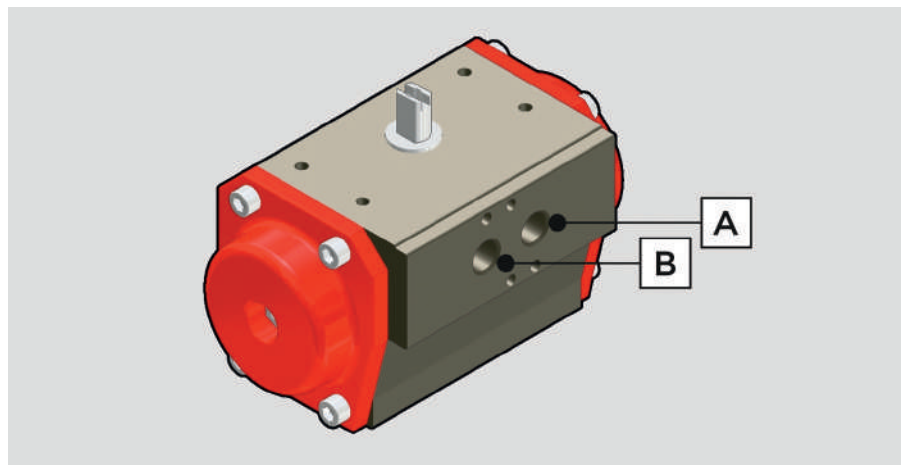
L: litre, equivalent to 10^{-3} m^3

Air consumption in normal litres (or normal cubic metres) per operating cycle can be calculated by correcting according to operating conditions such as control air pressure.

DN	65	80	100
DA	0.45 L	0.45 L	0.61 L
SA (NC-NO)	0.244 L	0.244 L	0.244 L

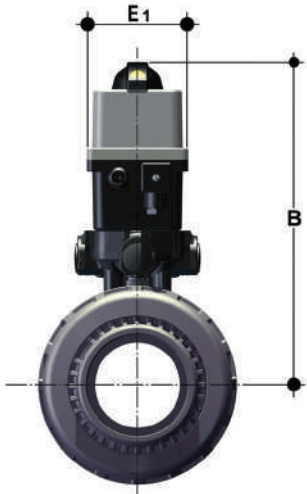
COMPRESSED AIR CONNECTIONS

Function type	Double-acting (DA)	Normally closed (NC)	Normally Open (NO)
Valve opening	Inlet A	Inlet A	-
Valve closing	Inlet B	-	Inlet A



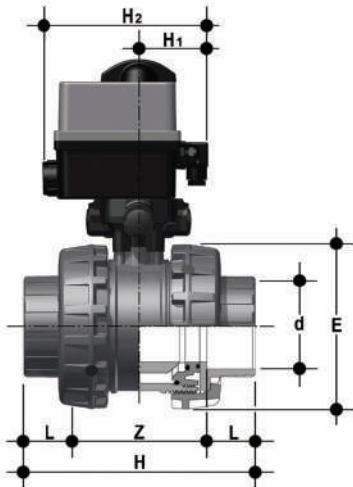
DIMENSIONS

VXE/CE DN 65÷100 PVC-U



Dimensions common to all versions

DN	B	E1
65	281	92
80	312	128
100	332	128



VXEIV/CE 90-240 V AC

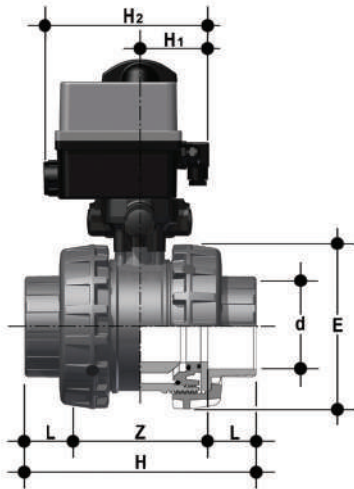
2 way Easyfit valve with female ends for solvent welding, metric series with multi-volt electric actuator 90-240 V AC 50-60 Hz

d	DN	*PN	E	H	L	Z	H ₁	H ₂	g	EPDM Code	FKM Code
75	65	6	157	211	44	123	82	187	3750	VXEIVEM075E	VXEIVEM075F
90	80	6	174	248	51	146	93	202	6232	VXEIVEM090E	VXEIVEM090F
110	100	6	212	283	61	161	93	202	8614	VXEIVEM110E	VXEIVEM110F

* PN10 upon request

DIMENSIONS

VXE/CE DN 65÷100 PVC-U

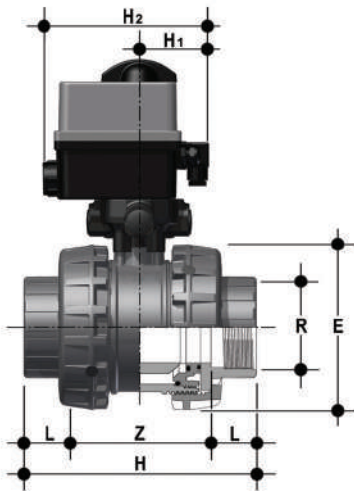


VXEIV/CE 24 V AC/DC

2 way Easyfit valve with female ends for solvent welding, metric series with electric actuator
24 V AC/DC

d	DN	*PN	E	H	L	Z	H ₁	H ₂	g	EPDM Code	FKM Code
75	65	6	157	211	44	123	82	187	3750	VXEIVEL075E	VXEIVEL075F
90	80	6	174	248	51	146	93	202	6232	VXEIVEL090E	VXEIVEL090F
110	100	6	212	283	61	161	93	202	8614	VXEIVEL110E	VXEIVEL110F

* PN10 upon request



VXEFV/CE 90-240 V AC

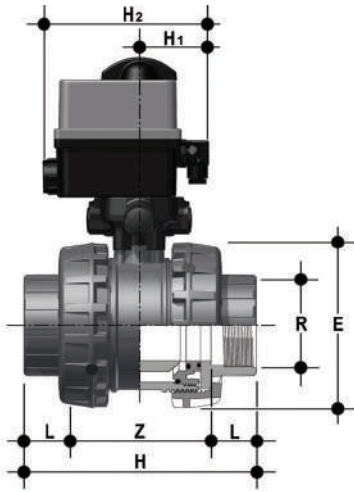
2 way Easyfit valve with female ends, gas cylinder thread with multi-volt electric actuator
90-240 V AC 50-60 Hz

R	DN	*PN	E	H	L	Z	H ₁	H ₂	g	EPDM Code	FKM Code
2"1/2	65	6	157	211	30.2	150.6	82	187	3750	VXEFVEM212E	VXEFVEM212F
3"	80	6	174	248	33.3	181.4	93	202	6232	VXEFVEM300E	VXEFVEM300F
4"	100	6	212	283	39.3	204.4	93	202	8614	VXEFVEM400E	VXEFVEM400F

* PN10 upon request

DIMENSIONS

VXE/CE DN 65÷100 PVC-U

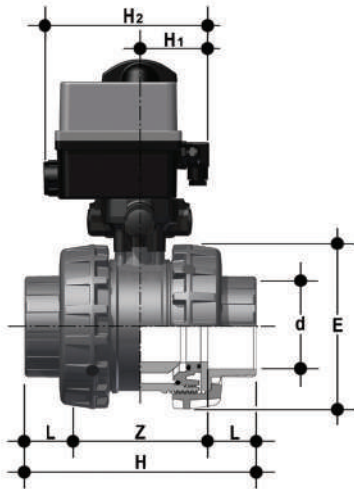


VXEFV/CE 24 V AC/DC

2 way Easyfit valve with female ends, gas cylinder thread with electric actuator 24 V AC/DC

R	DN	*PN	E	H	L	Z	H ₁	H ₂	g	EPDM Code	FKM Code
2"1/2	65	6	157	211	30.2	150.6	82	187	3750	VXEFVEL212E	VXEFVEL212F
3"	80	6	174	248	33.3	181.4	93	202	6232	VXEFVEL300E	VXEFVEL300F
4"	100	6	212	283	39.3	204.4	93	202	8614	VXEFVEL400E	VXEFVEL400F

* PN10 upon request



VXEJV/CE 90-240 V AC

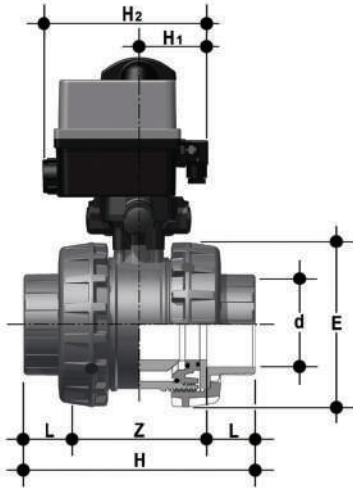
2 way Easyfit valve with female ends for solvent welding, JIS series with multi-volt electric actuator 90-240 V AC 50-60 Hz

d	DN	*PN	E	H	L	Z	H ₁	H ₂	g	EPDM Code	FKM Code
2"1/2	65	6	157	243	61	121	82	187	3750	VXEJVEM212E	VXEJVEM212F
3"	80	6	174	272	64.5	143	93	202	6232	VXEJVEM300E	VXEJVEM300F
4"	100	6	212	332	84	164	93	202	8614	VXEJVEM400E	VXEJVEM400F

* PN10 upon request

DIMENSIONS

VXE/CE DN 65÷100 PVC-U

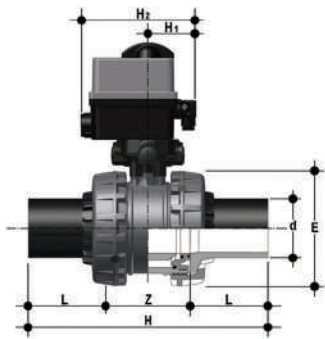


VXEJV/CE 24 V AC/DC

2 way Easyfit valve with female ends for solvent welding, JIS series with electric actuator 24V AC/DC

d	DN	*PN	E	H	L	Z	H ₁	H ₂	g	EPDM Code	FKM Code
2"1/2	65	6	157	243	61	121	82	187	3750	VXEJVVEL212E	VXEJVVEL212F
3"	80	6	174	272	64.5	143	93	202	6232	VXEJVVEL300E	VXEJVVEL300F
4"	100	6	212	332	84	164	93	202	8614	VXEJVVEL400E	VXEJVVEL400F

* PN10 upon request



VXEBEV/CE 90-240 V AC

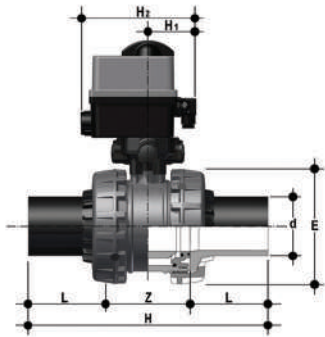
2-way Easyfit valve with PE100 SDR 11 male ends for butt welding or electrofusion welding (CVDE) with multi-volt electric actuator 90-240 V AC 50-60 Hz

d	DN	*PN	E	H	L	Z	H ₁	H ₂	g	EPDM Code	FKM Code
75	65	6	157	331	71	189	82	187	3286	VXEBEVEM075E	VXEBEVEM075F
90	80	6	174	367	88	191	93	202	5859	VXEBEVEM090E	VXEBEVEM090F
110	100	6	212	407	92	223	93	202	8273	VXEBEVEM110E	VXEBEVEM110F

* PN10 upon request

DIMENSIONS

VXE/CE DN 65÷100 PVC-U



VXEBEV/CE 24 V AC/DC

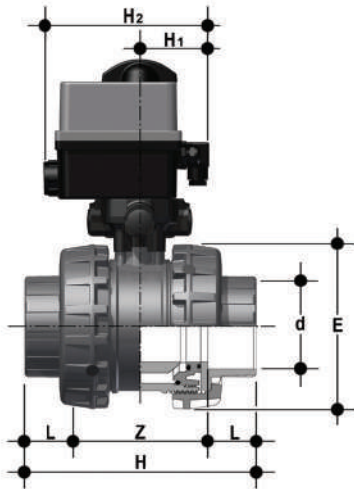
2-way Easyfit valve with PE100 SDR 11 male ends for butt welding or electrofusion welding (CVDE) with electric actuator 24V AC/DC

d	DN	*PN	E	H	L	Z	H ₁	H ₂	g	EPDM Code	FKM Code
75	65	6	157	331	71	189	82	187	3286	VXEBEVEL075E	VXEBEVEL075F
90	80	6	174	367	88	191	93	202	5859	VXEBEVEL090E	VXEBEVEL090F
110	100	6	212	407	92	223	93	202	8273	VXEBEVEL110E	VXEBEVEL110F

* PN10 upon request

DIMENSIONS

VXE/CE DN 65÷100 PVC-C

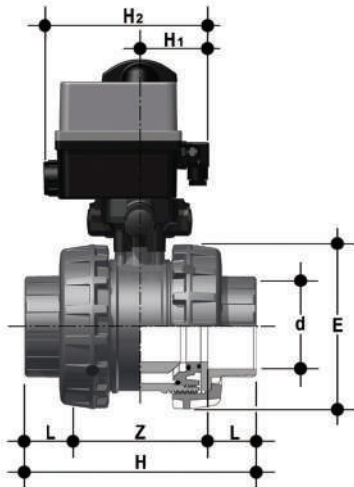


VXEIC/CE 90-240 V AC

2 way Easyfit valve with female ends for solvent welding, metric series with multi-volt electric actuator 90-240 V AC 50-60 Hz

d	DN	*PN	E	H	L	Z	H ₁	H ₂	g	EPDM Code	FKM Code
75	65	6	157	211	44	123	82	187	3998	VXEICEM075E	VXEICEM075F
90	80	6	174	248	51	146	93	202	6541	VXEICEM090E	VXEICEM090F
110	100	6	212	283	61	161	93	202	9137	VXEICEM110E	VXEICEM110F

* PN10 upon request



VXEIC/CE 24 V AC/DC

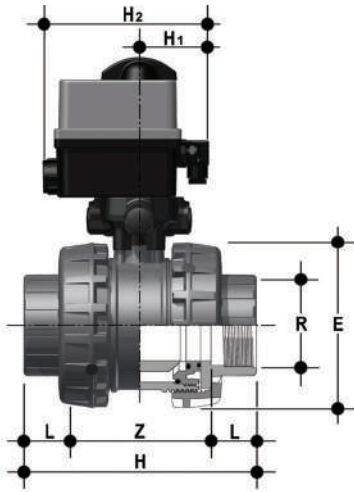
2 way Easyfit valve with female ends for solvent welding, metric series with electric actuator 24 V AC/DC

d	DN	*PN	E	H	L	Z	H ₁	H ₂	g	EPDM Code	FKM Code
75	65	6	157	211	44	123	82	187	3998	VXEICEL075E	VXEICEL075F
90	80	6	174	248	51	146	93	202	6541	VXEICEL090E	VXEICEL090F
110	100	6	212	283	61	161	93	202	9137	VXEICEL110E	VXEICEL110F

* PN10 upon request

DIMENSIONS

VXE/CE DN 65÷100 PVC-C

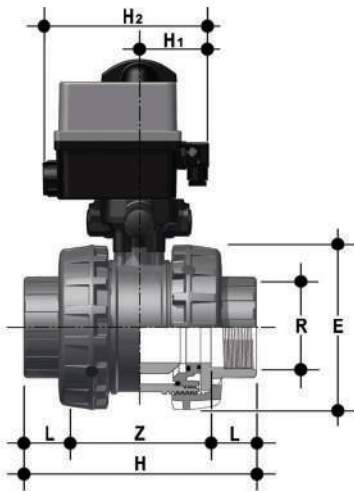


VXEFC/CE 90-240 V AC

2 way Easyfit valve with female ends, gas cylinder thread with multi-volt electric actuator
90-240 V AC 50-60 Hz

R	DN	*PN	E	H	L	Z	H ₁	H ₂	g	EPDM Code	FKM Code
2"1/2	65	6	157	211	30.2	150.6	82	187	3998	VXEFCCEM212E	VXEFCCEM212F
3"	80	6	174	248	33.3	181.4	93	202	6541	VXEFCCEM300E	VXEFCCEM300F
4"	100	6	212	283	39.3	204.4	93	202	9137	VXEFCCEM400E	VXEFCCEM400F

* PN10 upon request



VXEFC/CE 24 V AC/DC

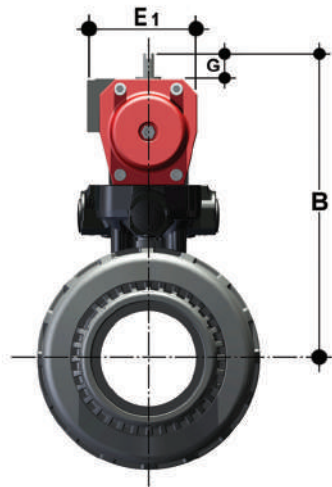
2 way Easyfit valve with female ends, gas cylinder thread with electric actuator 24 V AC/DC

R	DN	*PN	E	H	L	Z	H ₁	H ₂	g	EPDM Code	FKM Code
2"1/2	65	6	157	211	30.2	150.6	82	187	3998	VXEFCEL212E	VXEFCEL212F
3"	80	6	174	248	33.3	181.4	93	202	6541	VXEFCEL300E	VXEFCEL300F
4"	100	6	212	283	39.3	204.4	93	202	9137	VXEFCEL400E	VXEFCEL400F

* PN10 upon request

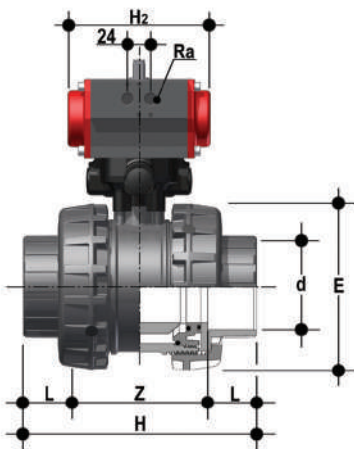
DIMENSIONS

VXE/CP DN 65÷100 PVC-U



Dimensions common to all versions

DN	B	G	E ₁
65	232	20	86
80	239	20	86
100	276	30	94



VXEIV/CP DA

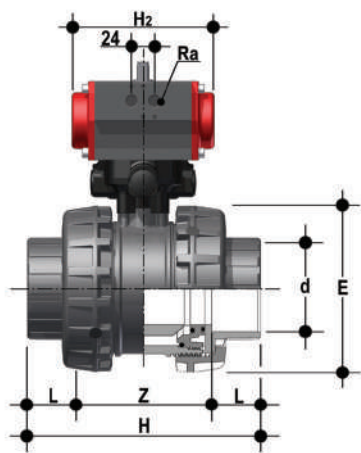
2 way Easyfit valve with female ends for solvent welding, metric series with pneumatic actuator, Double-Acting function

d	DN	*PN	E	H	L	Z	H ₂	R _a	g	EPDM Code	FKM Code
75	65	6	157	211	44	123	155.5	G1/4"	4450	VXEIVDA075E	VXEIVDA075F
90	80	6	174	248	51	146	155.5	G1/4"	5132	VXEIVDA090E	VXEIVDA090F
110	100	6	212	283	61	161	210	G1/4"	8114	VXEIVDA110E	VXEIVDA110F

* PN10 upon request

DIMENSIONS

VXE/CP DN 65÷100 PVC-U

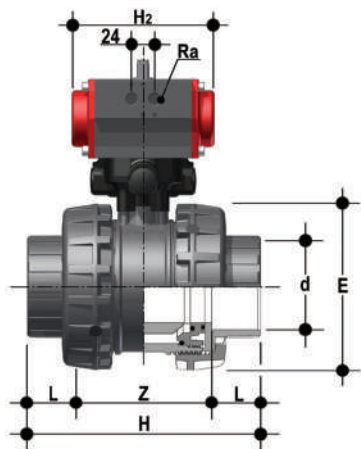


VXEIV/CP NC

2-way Easyfit valve with female ends for solvent welding, metric series with pneumatic actuator, Normally Closed function

d	DN	*PN	E	H	L	Z	H ₂	R _a	g	EPDM Code	FKM Code
75	65	6	157	211	44	123	210	G1/4"	5950	VXEIVNC075E	VXEIVNC075F
90	80	6	174	248	51	146	210	G1/4"	6632	VXEIVNC090E	VXEIVNC090F
110	100	6	212	283	61	161	210	G1/4"	9114	VXEIVNC110E	VXEIVNC110F

* PN10 upon request



VXEIV/CP NO

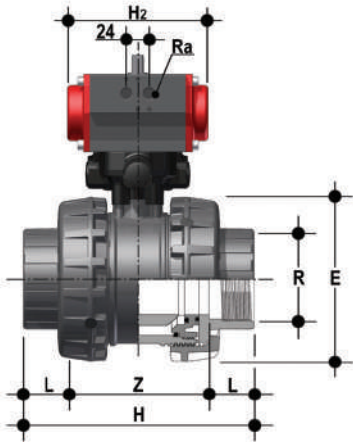
2 way Easyfit valve with female ends for solvent welding, metric series with pneumatic actuator, Normally Open function

d	DN	*PN	E	H	L	Z	H ₂	R _a	g	EPDM Code	FKM Code
75	65	6	157	211	44	123	210	G1/4"	5950	VXEIVNO075E	VXEIVNO075F
90	80	6	174	248	51	146	210	G1/4"	6632	VXEIVNO090E	VXEIVNO090F
110	100	6	212	283	61	161	210	G1/4"	9114	VXEIVNO110E	VXEIVNO110F

* PN10 upon request

DIMENSIONS

VXE/CP DN 65÷100 PVC-U

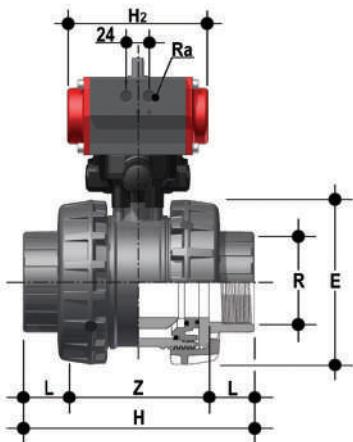


VXEFV/CP DA

2 way Easyfit valve with gas cylinder thread female ends with pneumatic actuator, Double-Acting function

R	DN	*PN	E	H	L	Z	H ₂	R _g	g	EPDM Code	FKM Code
2"1/2	65	6	157	211	30.2	150.6	155.5	G1/4"	4450	VXEFVDA212E	VXEFVDA212F
3"	80	6	174	248	33.3	181.4	155.5	G1/4"	5132	VXEFVDA300E	VXEFVDA300F
4"	100	6	212	283	39.3	204.4	210	G1/4"	8114	VXEFVDA400E	VXEFVDA400F

* PN10 upon request



VXEFV/CP NC

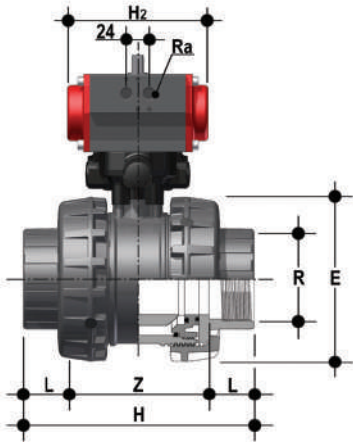
2 way Easyfit valve with gas cylinder thread female ends with pneumatic actuator, Normally Closed function

R	DN	*PN	E	H	L	Z	H ₂	R _g	g	EPDM Code	FKM Code
2"1/2	65	6	157	211	30.2	150.6	210	G1/4"	5950	VXEFVNC212E	VXEFVNC212F
3"	80	6	174	248	33.3	181.4	210	G1/4"	6632	VXEFVNC300E	VXEFVNC300F
4"	100	6	212	283	39.3	204.4	210	G1/4"	9114	VXEFVNC400E	VXEFVNC400F

* PN10 upon request

DIMENSIONS

VXE/CP DN 65÷100 PVC-U

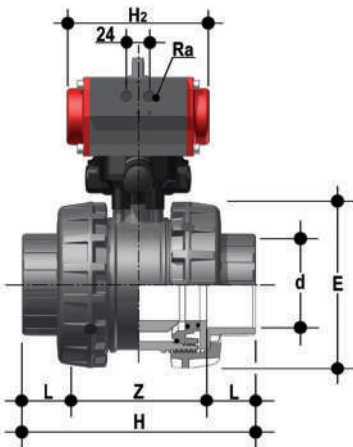


VXEFV/CP NO

2 way Easyfit valve with gas cylinder thread female ends with pneumatic actuator, Normally Open function

R	DN	*PN	E	H	L	Z	H ₂	R _o	g	EPDM Code	FKM Code
2"1/2	65	6	157	211	30.2	150.6	210	G1/4"	5950	VXEFVNO212E	VXEFVNO212F
3"	80	6	174	248	33.3	181.4	210	G1/4"	6632	VXEFVNO300E	VXEFVNO300F
4"	100	6	212	283	39.3	204.4	210	G1/4"	9114	VXEFVNO400E	VXEFVNO400F

* PN10 upon request



VXEJV/CP DA

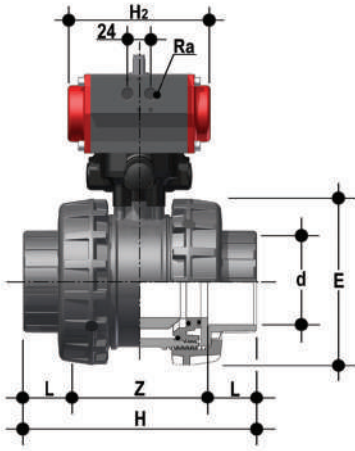
2 way Easyfit valve with female ends for solvent welding, JIS series with pneumatic actuator, Double-Acting function

d	DN	*PN	E	H	L	Z	H ₂	R _o	g	EPDM Code	FKM Code
2"1/2	65	6	157	243	61	121	155.5	G1/4"	4450	VXEJVDA212E	VXEJVDA212F
3"	80	6	174	272	64.5	143	155.5	G1/4"	5132	VXEJVDA300E	VXEJVDA300F
4"	100	6	212	332	84	164	210	G1/4"	8114	VXEJVDA400E	VXEJVDA400F

* PN10 upon request

DIMENSIONS

VXE/CP DN 65÷100 PVC-U

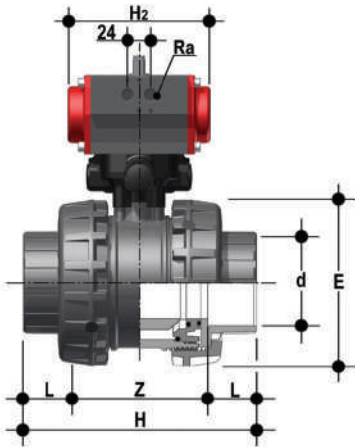


VXEJV/CP NC

2 way Easyfit valve with female ends for solvent welding, JIS series with pneumatic actuator, Normally Closed function

d	DN	*PN	E	H	L	Z	H ₂	R _a	g	EPDM Code	FKM Code
2"1/2	65	6	157	243	61	121	210	G1/4"	5950	VXEJVNC212E	VXEJVNC212F
3"	80	6	174	272	64.5	143	210	G1/4"	6632	VXEJVNC300E	VXEJVNC300F
4"	100	6	212	332	84	164	210	G1/4"	9114	VXEJVNC400E	VXEJVNC400F

* PN10 upon request



VXEJV/CP NO

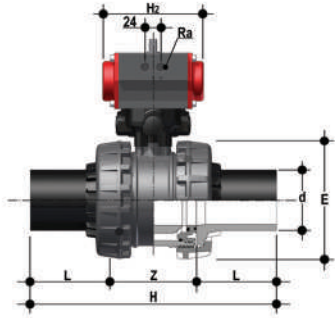
2 way Easyfit valve with female ends for solvent welding, JIS series with pneumatic actuator, Normally Open function

d	DN	*PN	E	H	L	Z	H ₂	R _a	g	EPDM Code	FKM Code
2"1/2	65	6	157	243	61	121	210	G1/4"	5950	VXEJVNO212E	VXEJVNO212F
3"	80	6	174	272	64.5	143	210	G1/4"	6632	VXEJVNO300E	VXEJVNO300F
4"	100	6	212	332	84	164	210	G1/4"	9114	VXEJVNO400E	VXEJVNO400F

* PN10 upon request

DIMENSIONS

VXE/CP DN 65÷100 PVC-U

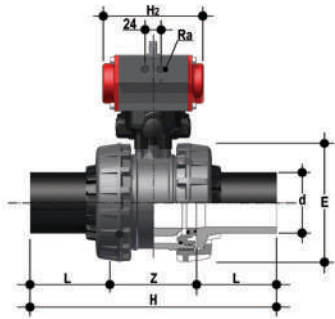


VXEBEV/CP DA

2-way Easyfit valve with PE100 SDR 11 male ends for butt welding or electrofusion welding (CVDE) with pneumatic actuator, Double-Acting function.

d	DN	*PN	E	H	L	Z	H ₂	R _g	g	EPDM Code	FKM Code
75	65	6	157	331	71	189	155.5	G1/4"	3986	VXEBEVDA075E	VXEBEVDA075F
90	80	6	174	367	88	191	155.5	G1/4"	4759	VXEBEVDA090E	VXEBEVDA090F
110	100	6	212	407	92	223	210	G1/4"	7773	VXEBEVDA110E	VXEBEVDA110F

* PN10 upon request

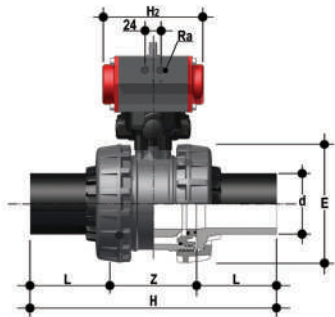


VXEBEV/CP NC

2-way Easyfit valve with PE100 SDR 11 male ends for butt welding or electrofusion welding (CVDE) with pneumatic actuator, Normally Closed function.

d	DN	*PN	E	H	L	Z	H ₂	R _g	g	EPDM Code	FKM Code
75	65	6	157	331	71	189	155.5	G1/4"	5486	VXEBEVNC075E	VXEBEVNC075F
90	80	6	174	367	88	191	155.5	G1/4"	6259	VXEBEVNC090E	VXEBEVNC090F
110	100	6	212	407	92	223	210	G1/4"	8773	VXEBEVNC110E	VXEBEVNC110F

* PN10 upon request



VXEBEV/CP NO

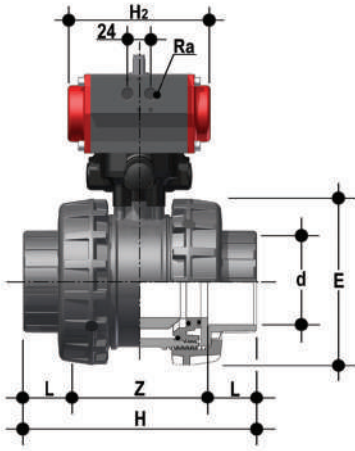
2-way Easyfit valve with PE100 SDR 11 male ends for butt welding or electrofusion welding (CVDE) with pneumatic actuator, Normally Open function.

d	DN	*PN	E	H	L	Z	H ₂	R _g	g	EPDM Code	FKM Code
75	65	6	157	331	71	189	155.5	G1/4"	5486	VXEBEVNO075E	VXEBEVNO075F
90	80	6	174	367	88	191	155.5	G1/4"	6259	VXEBEVNO090E	VXEBEVNO090F
110	100	6	212	407	92	223	210	G1/4"	8773	VXEBEVNO110E	VXEBEVNO110F

* PN10 upon request

DIMENSIONS

VXE/CP DN 65÷100 PVC-C

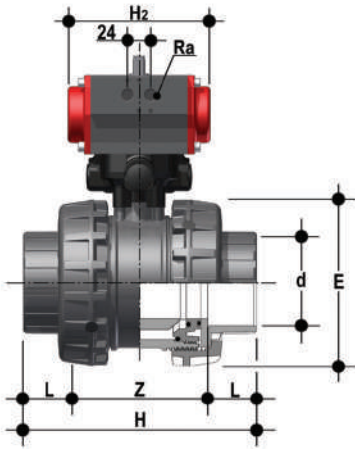


VXEIC/CP DA

2 way Easyfit valve with female ends for solvent welding, metric series with pneumatic actuator, Double-Acting function

d	DN	*PN	E	H	L	Z	H ₂	R _a	g	EPDM Code	FKM Code
75	65	6	157	211	44	123	155.5	G1/4"	4698	VXEICDA075E	VXEICDA075F
90	80	6	174	248	51	146	155.5	G1/4"	5441	VXEICDA090E	VXEICDA090F
110	100	6	212	283	61	161	210	G1/4"	8637	VXEICDA110E	VXEICDA110F

* PN10 upon request



VXEIC/CP NC

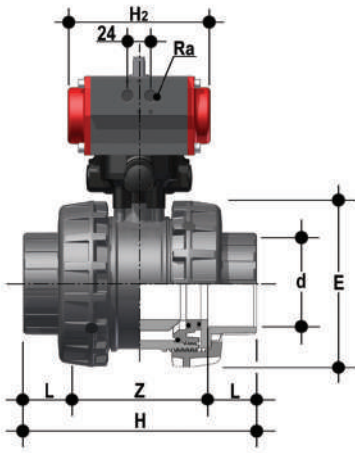
2 way Easyfit valve with female ends for solvent welding, metric series with pneumatic actuator, Normally Closed function

d	DN	*PN	E	H	L	Z	H ₂	R _a	g	EPDM Code	FKM Code
75	65	6	157	211	44	123	210	G1/4"	6198	VXEICNC075E	VXEICNC075F
90	80	6	174	248	51	146	210	G1/4"	6941	VXEICNC090E	VXEICNC090F
110	100	6	212	283	61	161	210	G1/4"	9637	VXEICNC110E	VXEICNC110F

* PN10 upon request

DIMENSIONS

VXE/CP DN 65÷100 PVC-C

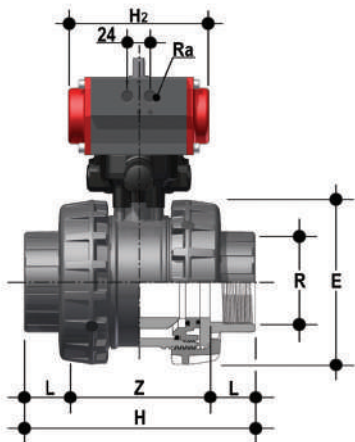


VXEIC/CP NO

2 way Easyfit valve with female ends for solvent welding, metric series with pneumatic actuator, Normally Open function

d	DN	*PN	E	H	L	Z	H ₂	R _o	g	EPDM Code	FKM Code
75	65	6	157	211	44	123	210	G1/4"	6198	VXEICNO075E	VXEICNO075F
90	80	6	174	248	51	146	210	G1/4"	6941	VXEICNO090E	VXEICNO090F
110	100	6	212	283	61	161	210	G1/4"	9637	VXEICNO110E	VXEICNO110F

* PN10 upon request



VXEFC/CP DA

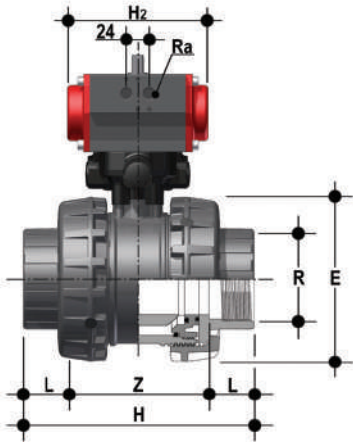
2 way Easyfit valve with gas cylinder thread female ends with pneumatic actuator, Double-Acting function

R	DN	*PN	E	H	L	Z	H ₂	R _o	g	EPDM Code	FKM Code
2"1/2	65	6	157	211	30.2	150.6	155.5	G1/4"	4698	VXEFCDA212E	VXEFCDA212F
3"	80	6	174	248	33.3	181.4	155.5	G1/4"	5441	VXEFCDA300E	VXEFCDA300F
4"	100	6	212	283	39.3	204.4	210	G1/4"	8637	VXEFCDA400E	VXEFCDA400F

* PN10 upon request

DIMENSIONS

VXE/CP DN 65÷100 PVC-C

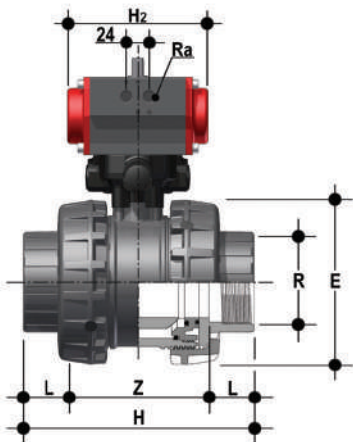


VXEFC/CP NC

2 way Easyfit valve with gas cylinder thread female ends with pneumatic actuator, Normally Closed function

R	DN	*PN	E	H	L	Z	H ₂	R _a	g	EPDM Code	FKM Code
2"1/2	65	6	157	211	30.2	150.6	210	G1/4"	6198	VXEFCNC212E	VXEFCNC212F
3"	80	6	174	248	33.3	181.4	210	G1/4"	6941	VXEFCNC300E	VXEFCNC300F
4"	100	6	212	283	39.3	204.4	210	G1/4"	9637	VXEFCNC400E	VXEFCNC400F

* PN10 upon request



VXEFC/CP NO

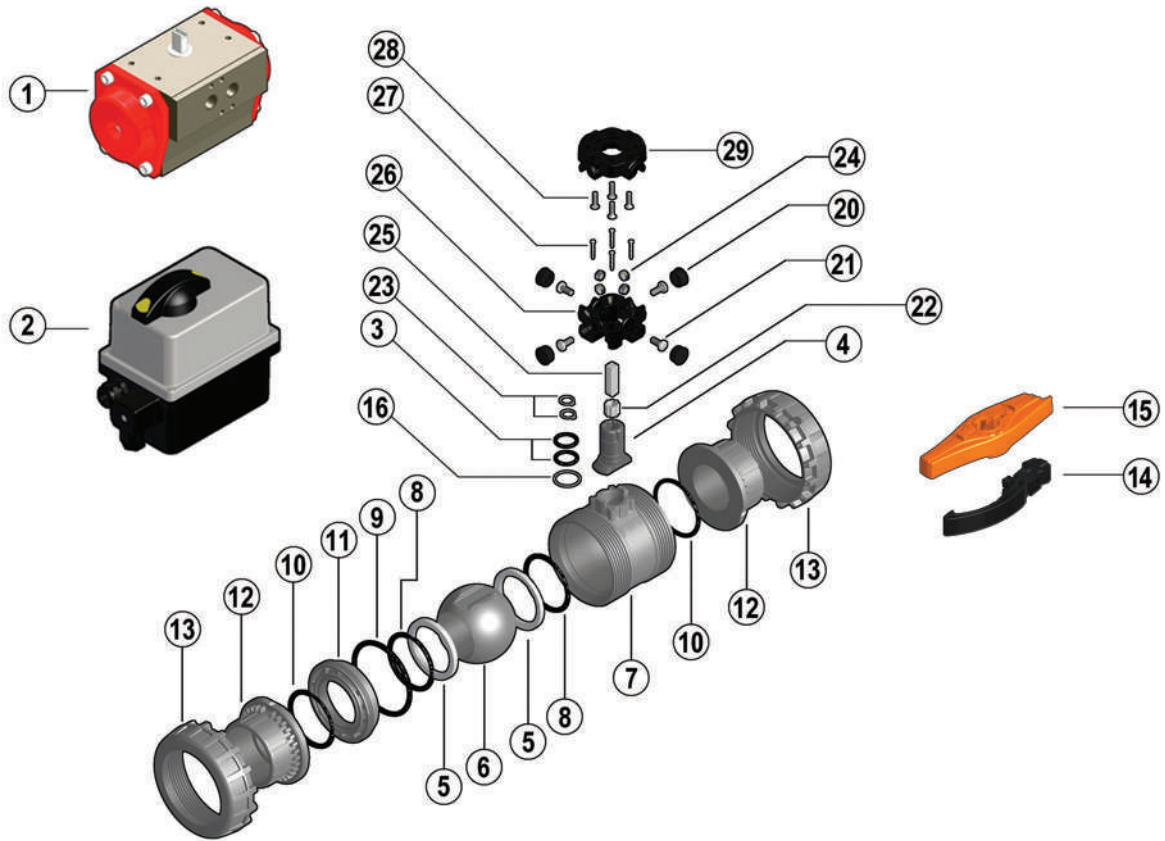
2 way Easyfit valve with gas cylinder thread female ends with pneumatic actuator, Normally Open function

R	DN	*PN	E	H	L	Z	H ₂	R _a	g	EPDM Code	FKM Code
2"1/2	65	6	157	211	30.2	150.6	210	G1/4"	6198	VXEFCNO212E	VXEFCNO212F
3"	80	6	174	248	33.3	181.4	210	G1/4"	6941	VXEFCNO300E	VXEFCNO300F
4"	100	6	212	283	39.3	204.4	210	G1/4"	9637	VXEFCNO400E	VXEFCNO400F

* PN10 upon request

COMPONENTS

EXPLODED VIEW



- | | | |
|--|--|--|
| 1 Pneumatic actuator (Finished aluminium - 1) | 9 Radial seal O-Ring (FKM, EPDM - 1)* | 20 Protection plug (PP - 4) |
| 2 Electric actuator (PA6-Nylon - 1) | 10 Socket seal O-Ring (EPDM-FKM - 2)* | 21 Screw (STAINLESS steel - 4) |
| 3 Stem O-Ring (FKM, EPDM - 2)* | 11 Ball seat carrier (PVC-U / PVC-C - 1)* | 22 Reduction (STAINLESS steel - 1) |
| 4 Stem (PVC-U / PVC-C - 1)* | 12 End connector (PVC-U / PVC-C - 2) | 23 Seeger ring (STAINLESS steel - 2) |
| 5 Ball seal (PTFE - 2)* | 13 Union nut (PVC-U / PVC-C - 2)* | 24 Nut (stainless steel - 4) |
| 6 Ball (PVC-U / PVC-C - 1)* | 14 Hooked Easyfit multifunctional handle insert (PP-GR - 1) | 25 Connection rod (/stainless steel -1) |
| 7 Body (PVC-U / PVC-C - 1) | 15 Easyfit multifunctional handle (HIPVC - 1) | 26 Lower plate (PP-GR - 1) |
| 8 Ball seat O-Ring (FKM, EPDM - 2)* | 16 Anti-friction disk (PTFE - 1)* | 27 Screw (STAINLESS steel - 4) |
| | | 28 Screw (STAINLESS steel - 4) |
| | | 29 Upper plate (PP-GR - 1) |

* Spare parts

The material the component is made of and the quantity supplied are shown in brackets

DISASSEMBLY

- 1) Isolate the valve from the line (release the pressure and empty the pipeline).
- 2) Disconnect the actuator from the compressed air supply and/or power mains.
- 3) Remove the screws (21) and lift the actuator (1/2) with the plate (29).
- 4) Use the Easyfit multifunctional handle (14/15) (fig. 3/4) as a wrench to fully unscrew the union nuts (13) (fig.5) from the valve body and laterally remove the body (7) (fig. 1).
- 5) Before dismantling, hold the valve in a vertical position and open it 45° to drain any liquid that might remain.
- 6) Open the valve.
- 7) Remove the ball seat carrier (11) using the Easyfit quick release handle. Insert the two protrusions at the top of the handle (15) in the seat carriers (11) and unscrew, extracting it by turning counter-clockwise (fig. 2).
- 8) Press on the ball from the side opposite the "REGULAR" label, being sure not to scratch it, until the ball seat exits (5), then extract the ball (6).
- 9) Press the stem inwards and extract it from the body and remove the anti-friction disk (16).
- 10) Remove the O-Ring (3, 8, 9, 10) and ball seats (5) extracting them from their seats, as illustrated in the exploded view.

ASSEMBLY

- 1) All the O-rings (3, 8, 9, 10) must be inserted in their grooves as shown in the exploded view.
- 2) Place the anti-friction disk (16) on the stem (4) and insert it in the body (7).
- 3) Place the PTFE ball seats (5) in the housings in the body (7) and in the ball seat carrier (11).
- 4) Insert the ball (6) rotating it to the closed position.
- 5) Screw the carrier (11) into the body and tighten up in the clockwise direction using the handle (15) to limit stop.
- 6) Position the valve between the end connectors (12) and tighten the union nuts clockwise (13) using the Easyfit multifunctional handle (14/15) (fig. 5) and being sure the socket seal O-rings (10) do not exit the seats.
- 7) Reassemble the actuator (1/2) with plate (29) on the valve making sure the ball position (6) and actuator stem are aligned.
- 8) Tighten the screws (21) and reconnect the actuator to the pneumatic and/or power supplies.



All operations on equipment under pressure or containing compressed springs must be carried out under safe conditions for the operator.

Note: during mounting operations, it is advisable to lubricate the rubber seals. Mineral oils are not recommended for this task as they react aggressively with EPDM rubber.

The photos refer to the manual version and are purely exemplary.

Fig. 1



Fig. 2



Fig. 3



Fig. 4



INSTALLATION

Before proceeding with installation, please follow these instructions carefully:

- 1) Check that the pipes to be connected to the valve are aligned in order to avoid mechanical stress on the threaded joints.
- 2) Unscrew the union nuts (13) from the body (7) and insert them in the pipe segments.
- 3) Solvent weld or screw the end connectors (12) onto the pipe segments.
- 4) Position the valve body between the end connectors.
Warning: if a high pressure test is required, always position the body with the "REGULAR" label upstream from the fluid direction.
- 5) Place the union nuts on the valve body and start tightening manually clockwise until they are hard to turn. To complete tightening, use the Easyfit multifunctional handle (14/15).
- 6) Extract the hooked insert (14) in the handle (fig. 3) overturn it and fit it in the seat on the lower part of the handle (fig. 4).
- 7) Fit the tool on the external union nut profile until firmly and safely secured that allows for adequate torque without damaging the union nut in any way (fig. 5).
- 8) Repeat point 7 for the other union nut.
- 9) If necessary, support pipes with FIP pipe clip model ZIKM and DSM spacers.

WARNINGS

- If volatile liquid such as Hydrogen Peroxide (H₂O₂) or Sodium Hypochlorite (NaClO) is used, for safety reasons we recommend you contact the service centre. These liquids, upon vaporising, could create hazardous over pressures in the area between the body and ball.
- Always avoid sudden closing manoeuvres that can generate water hammer. For this reason, we recommend you equip pneumatic actuators with air speed reducers.

Fig.5





TKD/CE - TKD/CP DN 10÷50

PVC-U/PVC-C/PP-H

VALVOLA A SFERA A TRE VIE DUAL BLOCK® A
COMANDO ELETTRICO O PNEUMATICO



TKD/CE – TKD/CP DN 10÷50

FIP ha sviluppato una valvola a sfera di tipo TKD DUAL BLOCK® per introdurre un elevato standard di riferimento delle valvole termoplastiche. TKD è una valvola a sfera di smistamento e di miscelazione a smontaggio radiale che risponde alla più severa esigenze richieste nelle applicazioni industriali



VALVOLA A SFERA A TRE VIE DUAL BLOCK® A COMANDO ELETTRICO O PNEUMATICO

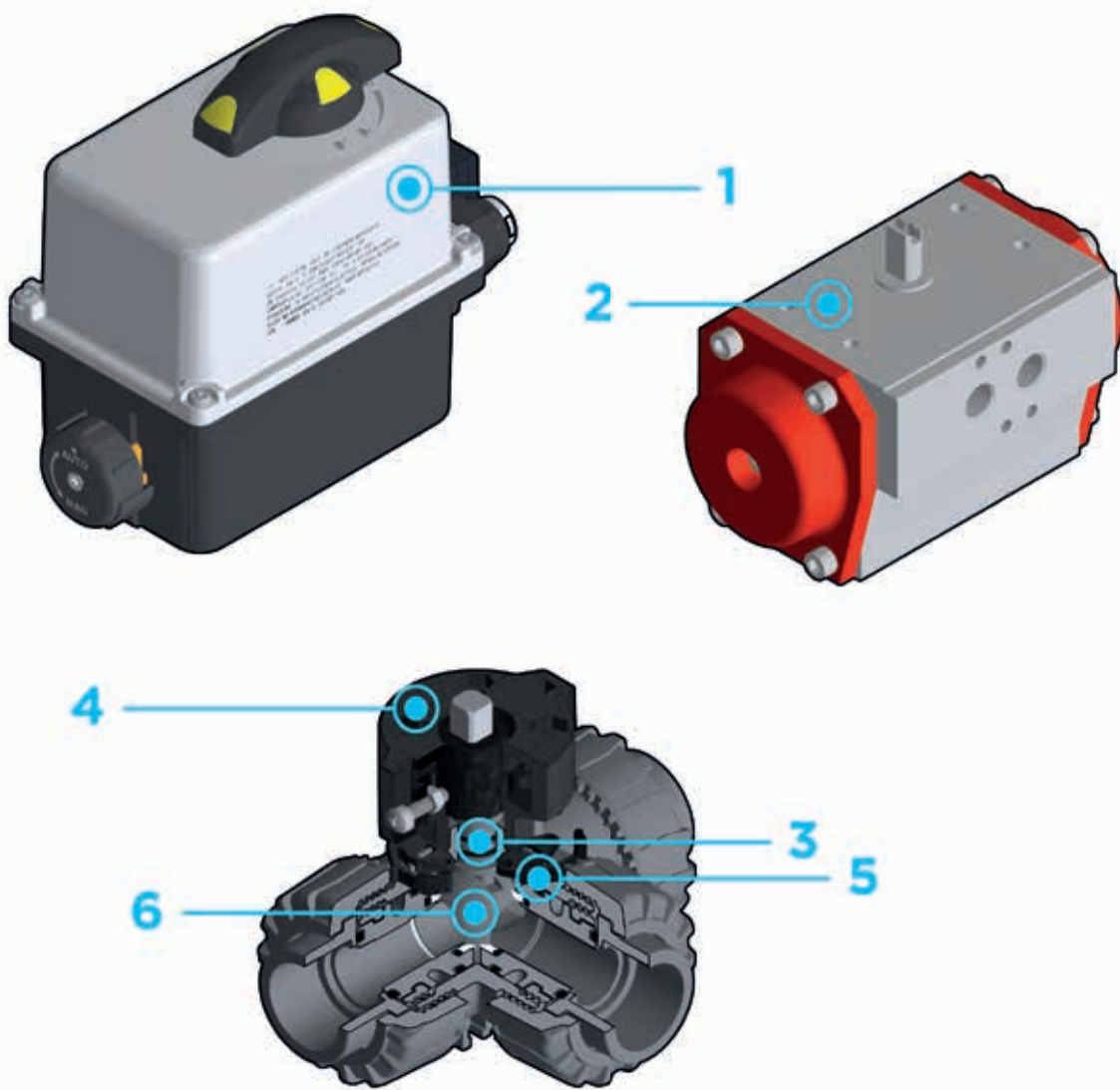
- Sistema di giunzione per incollaggio (Solo PVC-U e PVC-C), saldatura (solo PP-H) e per filettatura.
- Sistema di supporto delle tenute della sfera brevettato SEAT STOP®, che consente di effettuare una micro-registrazione delle tenute e di minimizzare l'effetto delle spinte assiali
- Facile smontaggio radiale dall'impianto e conseguente rapida sostituzione degli O-Ring e delle guarnizioni della sfera senza l'impiego di alcun attrezzo
- Corpo valvola a smontaggio radiale (True union) realizzato per stampaggio ad iniezione in PVC-U, PVC-C e PP-H dotato di foratura integrata per l'attuazione. Requisiti di prova in accordo ISO 9393
- Possibilità di smontaggio delle tubazioni a valle con la valvola in posizione di chiusura
- Stelo di manovra ad elevata finitura superficiale con doppio O-Ring e doppia chiavetta di collegamento alla sfera, dotato di indicatore visivo di posizione della sfera per la corretta installazione della maniglia
- Supporto integrato nel corpo per il fissaggio della valvola
- Possibilità di installare attuatori pneumatici e/o elettrici grazie alla robusta torretta di ancoraggio per una facile e rapida automazione tramite l'ausilio del modulo Power Quick

Specifiche tecniche - TKD	
Costruzione	Valvola a sfera a tre vie a smontaggio radiale con supporto e ghiera bloccati
Gamma dimensionale	DN 10 ÷ 50
Pressione nominale	PVC-U: PN 16 con acqua a 20 °C PVC-C: PN16 con acqua a 20 °C PP-H: PN10 con acqua a 20 °C
Campo di temperatura	PVC-U: 0 °C ÷ 60 °C PVC-C: 0° ÷ 100° C PP-H: 0° ÷ 100° C
Standard di accoppiamento PVC-U	Incollaggio: EN ISO 1452, EN ISO 15493, BS 4346-1, DIN 8063, NF T54-028, ASTM D 2467, JIS K 6743. Accoppiabili con tubi secondo EN ISO 1452, EN ISO 15493, DIN 8062, NF T54-016, ASTM D 1785, JIS K 6741. Filettatura: ISO 228-1, DIN 2999, ASTM D 2464, JIS B 0203.
Standard di accoppiamento PVC-C	Incollaggio: EN ISO 15493, ASTM F 439. Accoppiabili con tubi secondo EN ISO 15493, ASTM F 441 Filettatura: ISO 228-1, DIN 2999, ASTM F 437
Standard di accoppiamento PP-H	Saldatura: EN ISO 15494 Accoppiabili con tubi secondo EN ISO 15494 Filettatura: ISO 228-1, DIN 2999
Riferimenti normativi	Criteri Costruttivi PVC-U: EN ISO 16135, EN ISO 1452, EN ISO 15493 Criteri Costruttivi PVC-C: EN ISO 16135, EN ISO 15493 Criteri Costruttivi PP-H: EN ISO 16135, EN ISO 15494 Metodi e requisiti dei test: ISO 9393 Criteri di installazione PVC-U/PVC-C: DVS 2204, DVS 2221, UNI 11242 Criteri di installazione PP-H: DVS 2202-1, DVS 2207-11, DVS 2208-1, UNI 11318 Accoppiamenti per attuatori: ISO 5211
Materiale valvola	PVC-U / PVC-C / PP-H
Materiali tenuta	EPDM, FKM (O-Ring di dimensioni standard); PTFE (guarnizioni di tenuta della sfera)
Opzioni di comando	Attuatore elettrico; attuatore pneumatico

Oltre alla versione a comando manuale, la TKD è disponibile anche in configurazione con comando elettrico TKD/CE o con comando pneumatico TKD/CP. Gli attuatori vengono saldamente collegati alla valvola grazie allo speciale modulo Power Quick realizzato da FIP e prodotto interamente in tecnopolimero PP-GR. Le TKD/CE e le TKD/CP sono realizzate utilizzando attuatori conformi alle vigenti normative e selezionati da FIP in base ai propri requisiti di qualità ed affidabilità. L'efficienza di queste valvole, collaudate secondo gli standard qualitativi dell'azienda, è garantita dalla competenza e dal know-how che FIP dedica alla realizzazione dei propri prodotti.

Specifiche tecniche - Attuatore elettrico	
Riferimenti normativi	Criteri costruttivi: Compatibilità elettromagnetica EMC 2004/108/EC. Direttiva bassa tensione 2006/95/CE. Direttiva macchine 2006/42/CE. Direttiva R.O.H.S. 2011/65/CE Accoppiamenti per valvole: ISO 5211; DIN 3337
Materiale attuatore	Parti plastiche: PA6,6 FV 30% e Nylon. Parti metalliche: INOX 304L o acciaio + zincatura
Tensioni di alimentazione	12V DC* - 24V AC/DC - 90-240V AC - 400V trifase* *tensioni disponibili su richiesta
Temperatura di utilizzo	Da -10 °C a +55 °C
Dotazioni di serie	<ul style="list-style-type: none"> • Comando manuale di sicurezza • Indicatore visivo di posizione • Due fine corsa ausiliari (5A) regolabili FC1, FC2 • Limitatore di coppia • Heating resistor (per 12V DC)
Accessori disponibili	<ul style="list-style-type: none"> • Scheda posizionale 4-20 mA o 0-10V DC • Unità Fail Safe • Elemento riscaldante anticondensa • Potenzimetro di risposta 100 - 1000 - 5000 - 10000 Ohm • Trasmettitore di posizione 4-20 mA • Kit coppia di microinterruttori ausiliari di fine corsa aggiuntivi • 3° posizione 180°
Versioni speciali su richiesta	<ul style="list-style-type: none"> • Servizio CEI34 50% • Grado di protezione IP68 o ATEX II 2 GD EEx d IIB T6 • Differenti tempi di manovra
Connessioni elettriche	<ul style="list-style-type: none"> • Alimentazione: connettore DIN 43650 3P + T • Finecorsa: Pressacavo ISO M20

Specifiche tecniche - Attuatore pneumatico	
Riferimenti Normativi	Criteri costruttivi: Direttiva macchine 2006/42/CE Direttiva R.O.H.S. 2011/65/CE EN 15714-3 Accoppiamenti per valvole: ISO 5211, DIN 3337 Connessioni aria compressa: NAMUR VDI\VDE-3845 Connessioni superiori per accessori: NAMUR VDI\VDE-3845
Materiale attuatore	Corpo: alluminio estruso con trattamento di ossidazione anodica dura. IP67 Coperchio: lega di alluminio verniciati con polveri poliestere Pignone: acciaio al carbonio nichelato Altri materiali disponibili a richiesta
Pressione aria di comando	Da 5 a 8 bar. Pmax= 10 bar Esecuzioni a pressione di comando ridotta disponibili su richiesta
Alimentazione	Aria compressa filtrata secca o lubrificata. Per utilizzo di altri fluidi consultare il servizio tecnico FIP
Temperatura di utilizzo	Da -20 °C a +80 °C
Dotazioni di serie	• Indicatore ottico di posizione
Accessori disponibili	<ul style="list-style-type: none"> • Box microinterruttori di fine corsa LSQT elettromeccanici ed induttivi PNP (Namur su richiesta) • Posizionatore elettro-pneumatico 4-20 mA • Elettrovalvole pilota 3-5/2 vie
Opzioni a richiesta	Corpo e coperchio con rivestimento in PTFE, AISI 316 o AISI 316 con lucidatura a specchio. Pignone in AISI 304 o in AISI 316.



1 Attuatore elettrico realizzato su specifiche FIP; con gusci in materiale plastico e comando manuale di emergenza di serie. Disponibile nelle tensioni da 12 a 240V.

2 Attuatore pneumatico tipo rack & pinion realizzato su specifiche FIP; interamente protetto contro la corrosione da agenti atmosferici disponibile in versione a doppio effetto (DA) o semplice effetto normalmente chiuso (NC) o normalmente aperto (NO). Con sfera a T, offre la possibilità di

controllare tre diverse posizioni secondo 2 configurazioni: 0°-90°-180° e 0°-90°-270°

3 Stelo di manovra ad elevata finitura superficiale con doppio o-ring di tenuta. Il sistema di connessione a doppia chiavetta, garantisce una robusta ed affidabile trasmissione della coppia dell'attuatore alla sfera.

4 Modulo **PowerQuick** per attuazione pneumatica o elettrica costruito interamente in tecnopolimero di elevata

robustezza e semplicità di installazione.

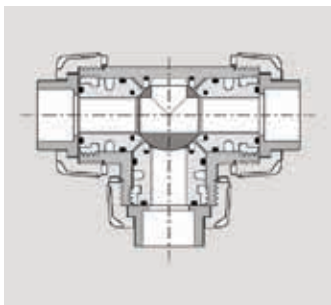
5 Sistema di bloccaggio delle ghiera brevettato **DUAL BLOCK®** che assicura la tenuta del serraggio delle ghiera anche in caso di condizioni gravose come in presenza di vibrazioni o di dilatazioni termiche.

6 **Otturatore sferico** a passaggio totale di tipo flottante ad alta finitura superficiale con **passaggio a T o a L**

CONFIGURAZIONI VALVOLE A TRE VIE CON SFERA A "T"

CONFIGURAZIONE 1

Pos. 0°

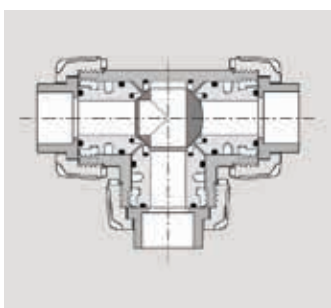


Pos. 90°

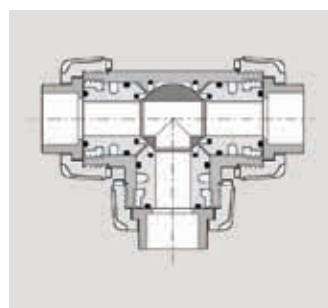


CONFIGURAZIONE 2

Pos. 0°

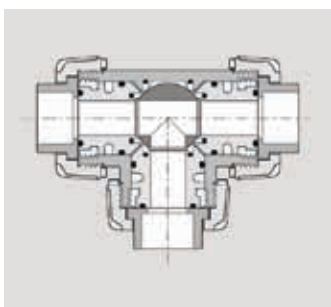


Pos. 90°

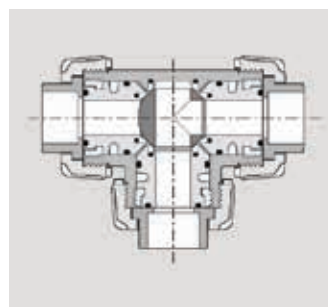


CONFIGURAZIONE 3

Pos. 0°

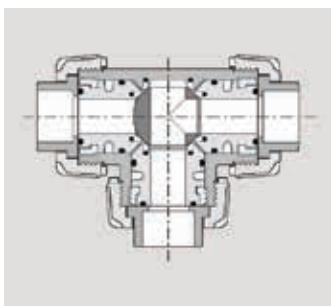


Pos. 90°

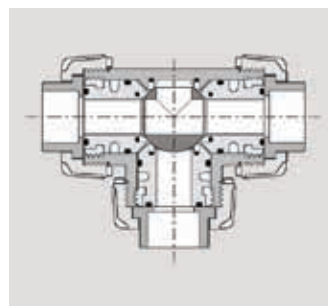


CONFIGURAZIONE 4

Pos. 0°



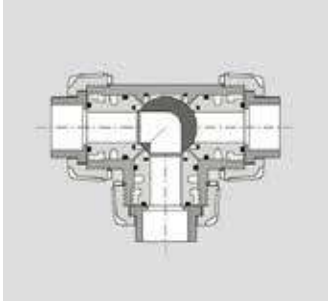
Pos. 90°



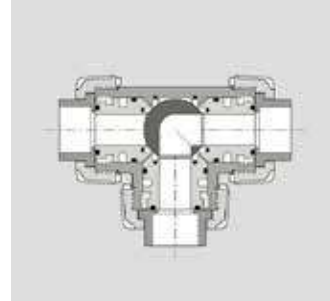
CONFIGURAZIONE VALVOLE A TRE VIE CON SFERA A "L"

CONFIGURAZIONE 1

Pos. 0°



Pos. 90°

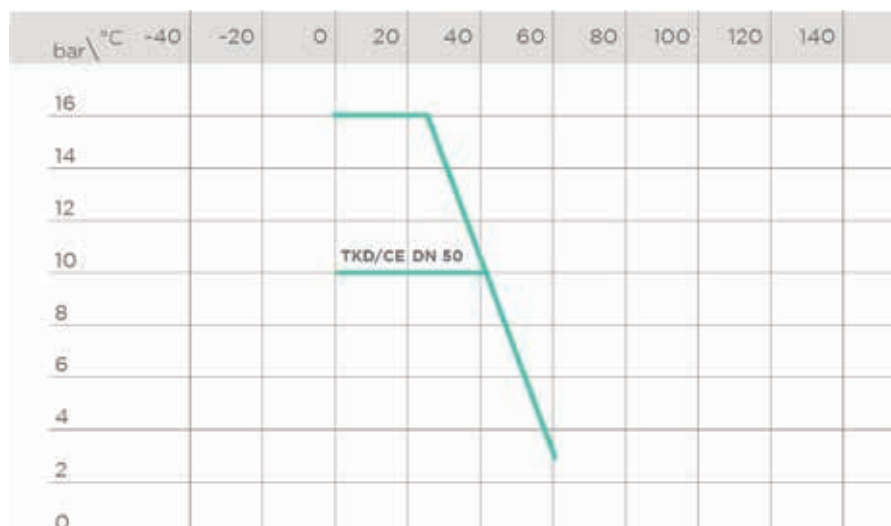


DATI TECNICI

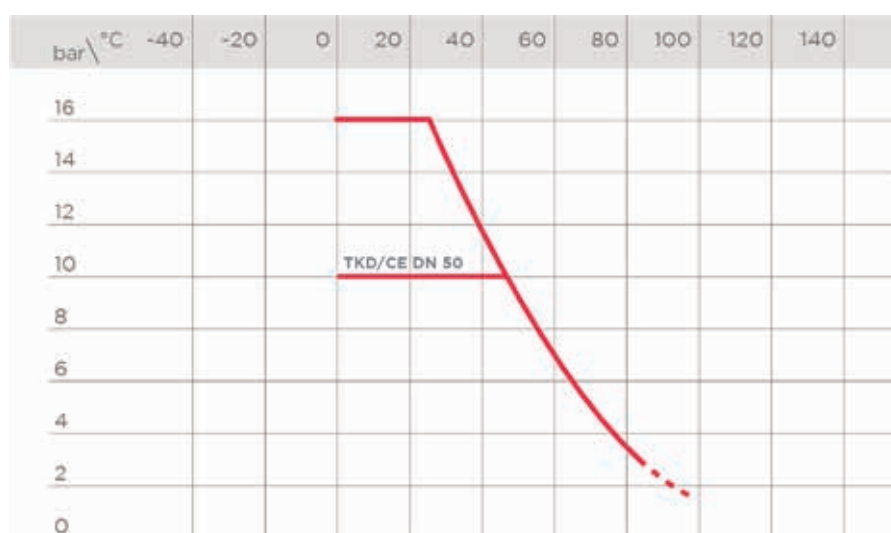
VARIAZIONE DELLA PRESSIONE IN FUNZIONE DELLA TEMPERATURA

CORPO IN PVC-U

Per acqua o fluidi non pericolosi nei confronti dei quali il materiale è classificato CHIMICAMENTE RESISTENTE. In altri casi è richiesta un'adeguata diminuzione della pressione nominale PN(25 anni con fattore sicurezza).



CORPO IN PVC-C



CORPO IN PP-H

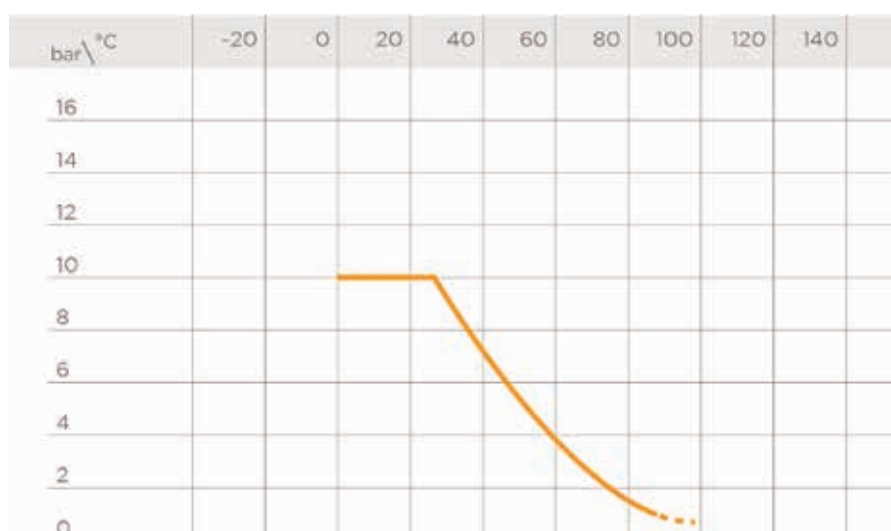
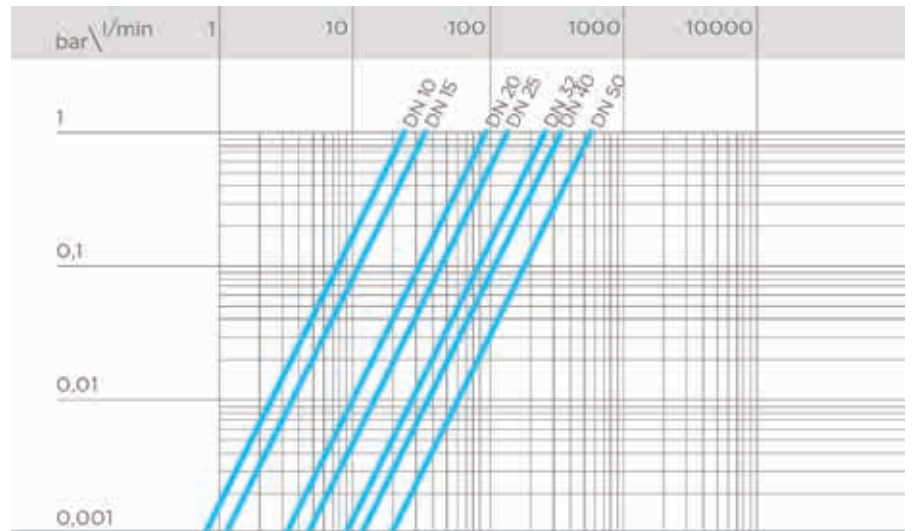
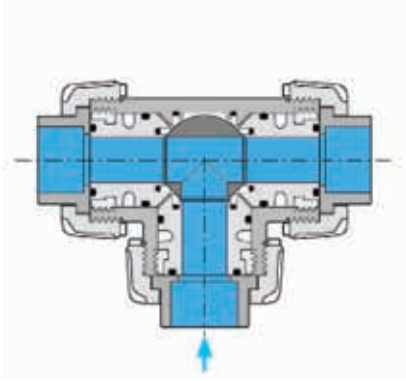
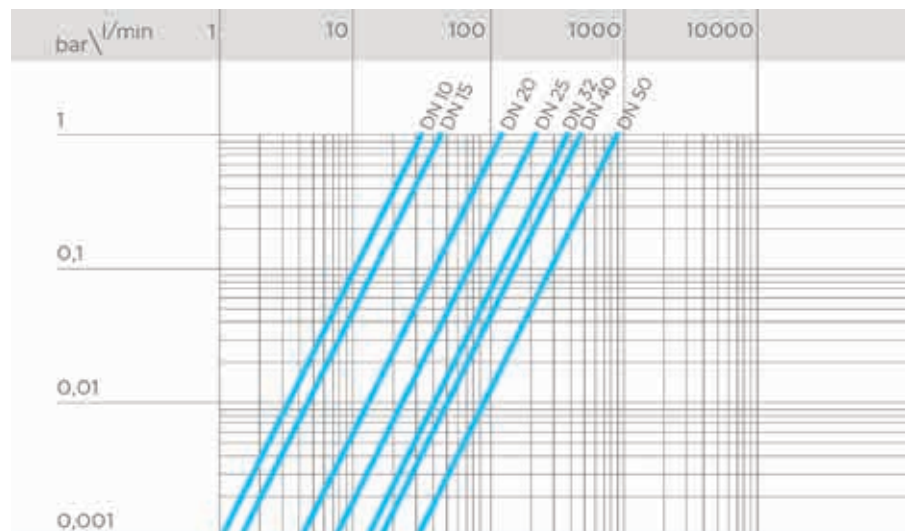
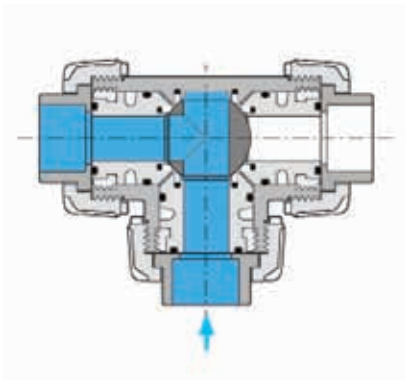


DIAGRAMMA DELLE PERDITE DI CARICO E POSIZIONI DI LAVORO

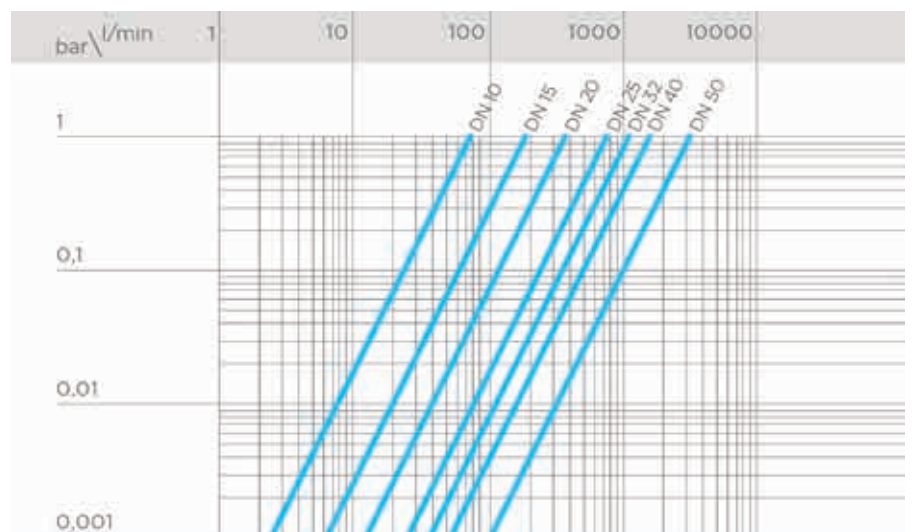
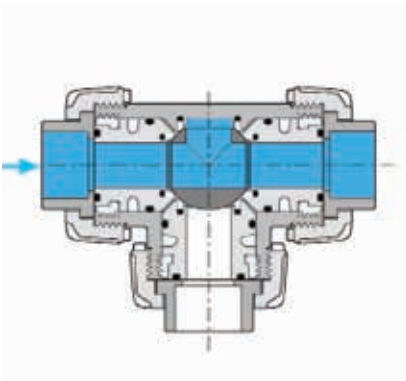
A - Valvola sfera a T:
0° - Miscelazione



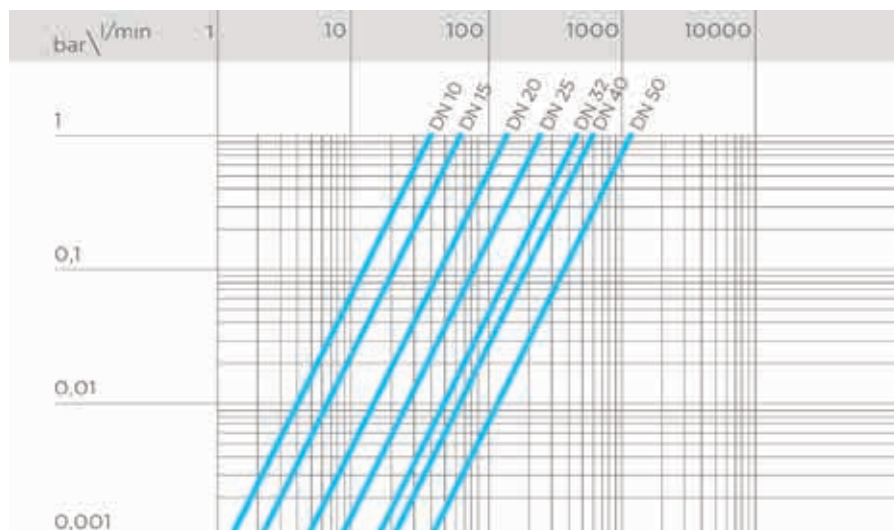
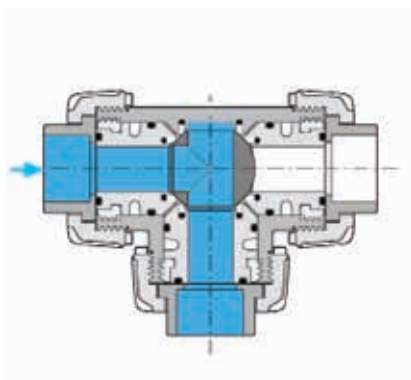
B - Valvola sfera a T:
90° - Smistamento



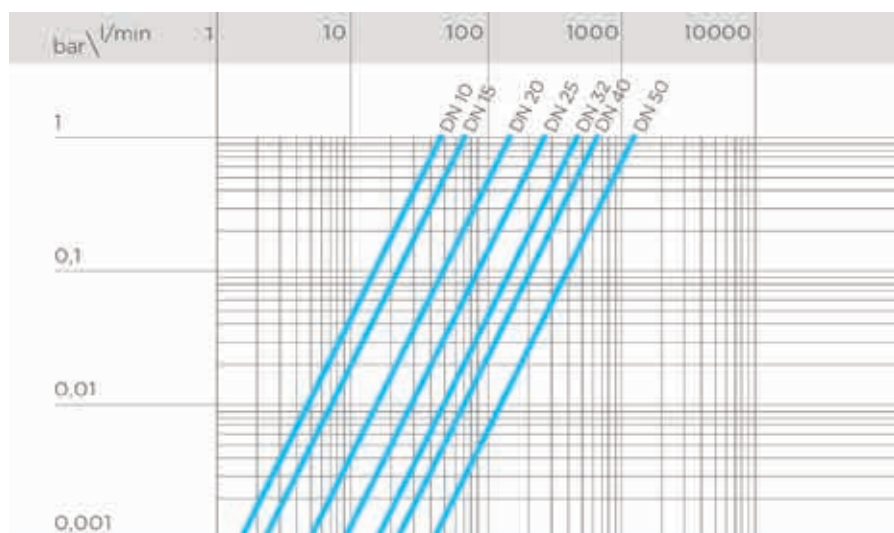
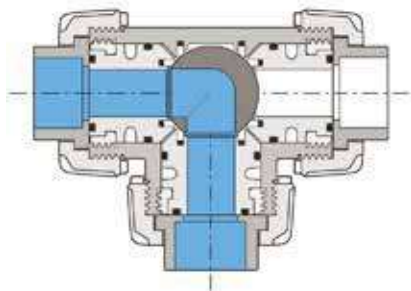
C - Valvola sfera a T:
180° - Derivazione chiusa/flujo diretto



D - Valvola sfera a T:
270° - Smistamento



E - Valvola sfera a L:
0°/270° - Smistamento



COEFFICIENTE DI FLUSSO K_V100

Per coefficiente di flusso K_V100 si intende la portata Q in litri al minuto di acqua a 20°C che genera una perdita di carico $\Delta p = 1$ bar per una determinata posizione della valvola.

I valori K_V100 indicati in tabella si intendono per valvola completamente aperta.

DN	10	15	20	25	32	40	50
A	25	35	95	140	270	330	620
B	37	55	135	205	390	475	900
C	78	195	380	760	1050	1700	3200
D	40	65	145	245	460	600	1200
E	48	73	150	265	475	620	1220

DATI ATTUATORE ELETTRICO

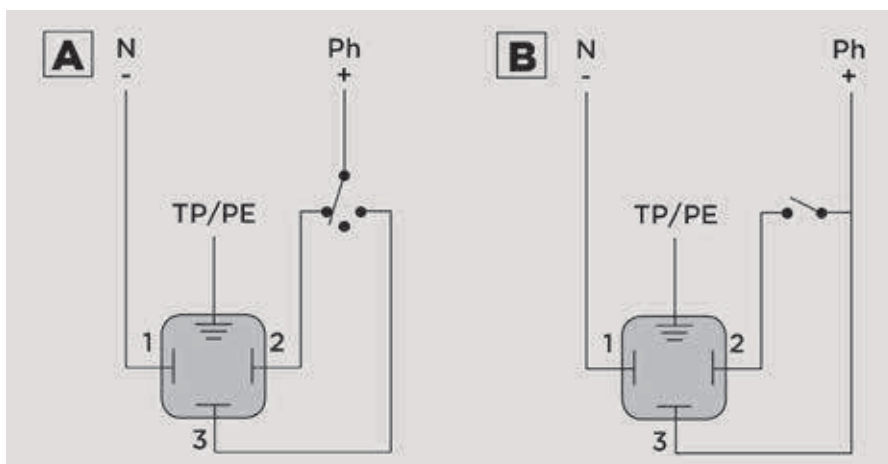
CARATTERISTICHE DI FUNZIONAMENTO

Caratteristiche	DC	AC/DC	AC
Alimentazione	*12V	24V	90÷240V
Potenza	15W	15W	15W
Tempo di manovra max	11 s	12 s	13 s
Servizio IEC34	50%	30%	30%
Grado di protezione	IP66	IP65	IP65
Frequenza	-	50/60 Hz	50/60 Hz

* su richiesta

SCHEMA DI COLLEGAMENTO ALIMENTAZIONE

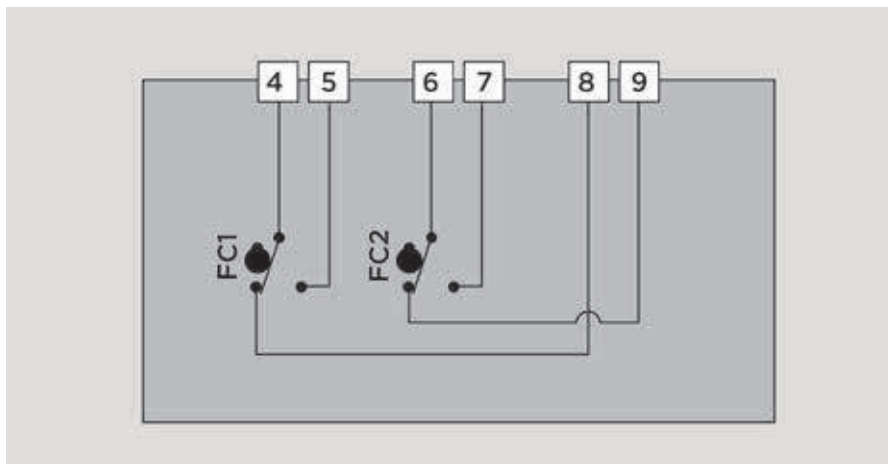
- 1 Comune
- 2 Aperto
- 3 Chiuso



SCHEMA DI COLLEGAMENTO FINE CORSA AUSILIARI

- FC1 Fine corsa ausiliario Apertura
- FC2 Fine corsa ausiliario Chiusura

- 4 Comune FC1
- 5 Aperto FC1
- 6 Comune FC2
- 7 Aperto FC2
- 8 Chiuso FC1
- 9 Chiuso FC2



DATI ATTUATORE PNEUMATICO

CARATTERISTICHE DI FUNZIONAMENTO

Tipo di funzionamento	doppio effetto	singolo effetto (SA)
Apertura della valvola	aria	aria
Chiusura della valvola	aria	molla

CAPACITÀ ATTUATORE

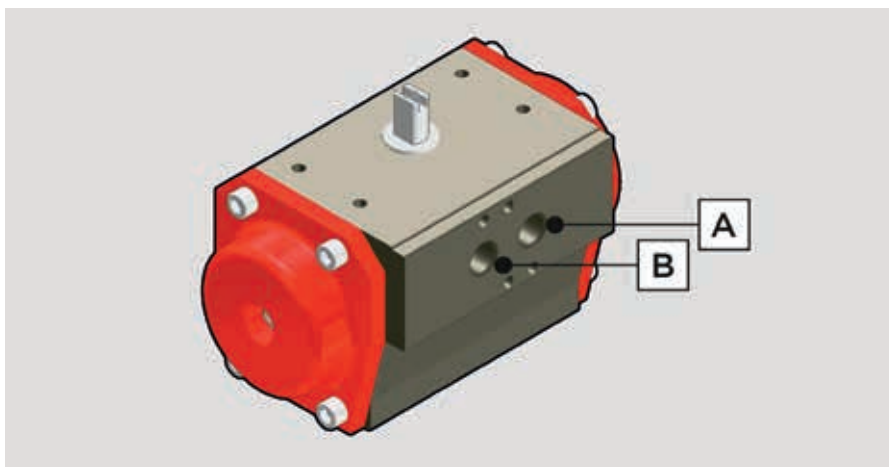
L: litro, equivalente a 10^{-3} m^3

Il consumo d'aria in normal litri (o normal metri cubi) per ogni ciclo di azionamento è da calcolare correggendo in funzione delle condizioni operative come la pressione dell'aria di comando.

	DN	10 - 15	20 ÷ 40	50
DA		0,23 L	0,45 L	0,61 L
SA		0,092 L	0,18 L	0,244 L

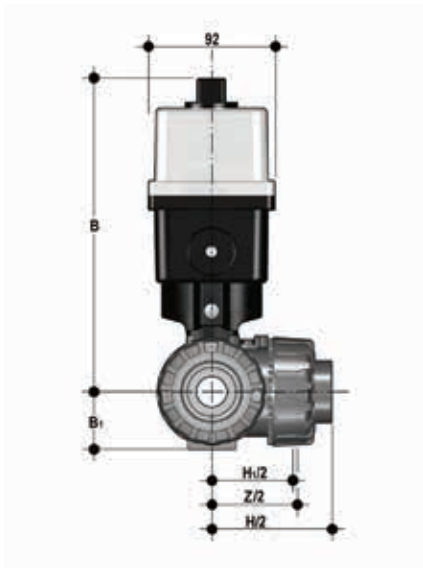
CONNESSIONI DELL'ARIA COMPRESSA

Tipo di funzionamento	Doppio effetto (DA)	singolo effetto (SA)
Apertura della valvola	Ingresso A	Ingresso A
Chiusura della valvola	Ingresso B	-



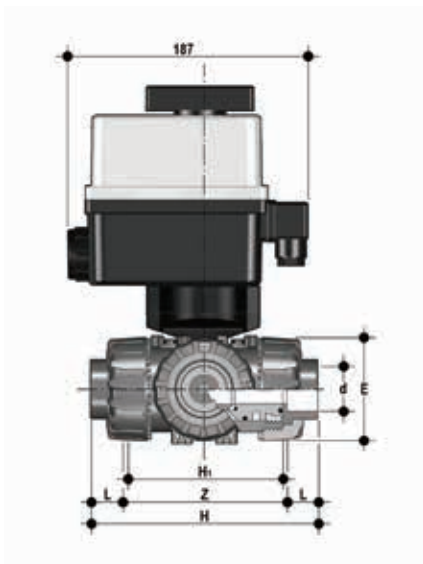
DIMENSIONI

TKD/CE DN 10÷50 PVC-U



Dimensioni comuni per tutte le versioni

DN	B	B ₁
10	205	29
15	205	29
20	216	34,5
25	221	39
32	238	46
40	244	52
50	261	62



TKDIV/CE 90-240 V AC

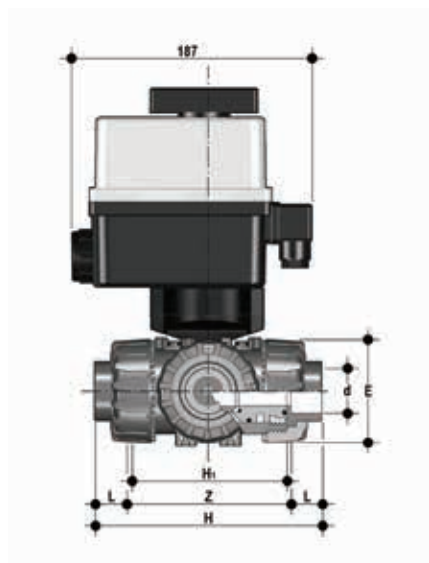
Valvola a 3 vie DUAL BLOCK® con attacchi femmina metrici con attuatore elettrico multivolt 90-240 V AC 50-60 Hz sfera a "T", configurazione 1

d	DN	PN	E	H	H ₁	L	Z	g	Codice EPDM	Codice FKM
16	10	16	54	118	80	14	90	1843	TKDIVEM016E1	TKDIVEM016F1
20	15	16	54	118	80	16	86	1843	TKDIVEM020E1	TKDIVEM020F1
25	20	16	65	145	100	19	107	2076	TKDIVEM025E1	TKDIVEM025F1
32	25	16	73	160	110	22	116	2299	TKDIVEM032E1	TKDIVEM032F1
40	32	16	86	188,5	131	26	136,5	2880	TKDIVEM040E1	TKDIVEM040F1
50	40	16	98	219	148	31	157	3242	TKDIVEM050E1	TKDIVEM050F1
63	50	*10	122	266,5	179	38	190,5	4362	TKDIVEM063E1	TKDIVEM063F1

* PN16 a richiesta

DIMENSIONI

TKD/CE DN 10÷50 PVC-U

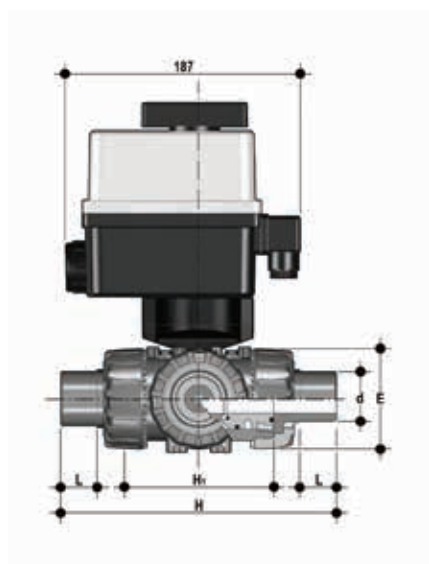


TKDIV/CE 24 V AC/DC

Valvola a 3 vie DUAL BLOCK® con attacchi femmina metrici con attuatore elettrico 24 V AC/DC sfera a "T", configurazione 1

d	DN	PN	E	H	H ₁	L	Z	g	Codice EPDM	Codice FKM
16	10	16	54	118	80	14	90	1843	TKDIVEL016E1	TKDIVEL016F1
20	15	16	54	118	80	16	86	1843	TKDIVEL020E1	TKDIVEL020F1
25	20	16	65	145	100	19	107	2076	TKDIVEL025E1	TKDIVEL025F1
32	25	16	73	160	110	22	116	2299	TKDIVEL032E1	TKDIVEL032F1
40	32	16	86	188,5	131	26	136,5	2880	TKDIVEL040E1	TKDIVEL040F1
50	40	16	98	219	148	31	157	3242	TKDIVEL050E1	TKDIVEL050F1
63	50	*10	122	266,5	179	38	190,5	4362	TKDIVEL063E1	TKDIVEL063F1

* PN16 a richiesta



TKDDV/CE 90-240 V AC

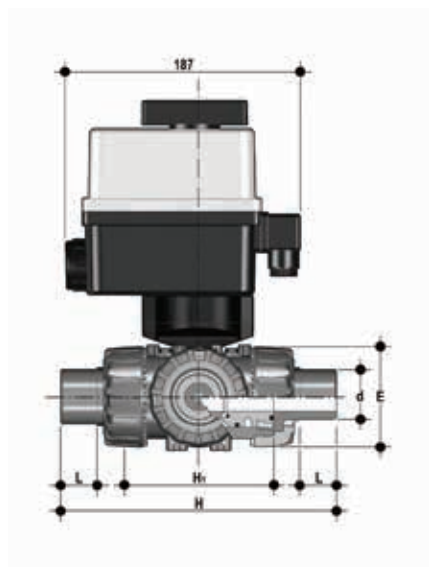
Valvola a sfera a 3 vie DUAL BLOCK® con attacchi maschio metrici con attuatore elettrico multivolt 90-240 V AC 50-60 Hz. Sfera a "T", configurazione 1

d	DN	PN	E	H	H ₁	L	Z	g	Codice EPDM	Codice FKM
20	15	16	54	140	80	16	1843	TKDDVEM020E1	TKDDVEM020F1	
25	20	16	65	175	100	19	2076	TKDDVEM025E1	TKDDVEM025F1	
32	25	16	73	188	110	22	2299	TKDDVEM032E1	TKDDVEM032F1	
40	32	16	86	220	131	26	2880	TKDDVEM040E1	TKDDVEM040F1	
50	40	16	98	251	148	31	3242	TKDDVEM050E1	TKDDVEM050F1	
63	50	*10	122	294	179	38	4362	TKDDVEM063E1	TKDDVEM063F1	

* PN16 a richiesta

DIMENSIONI

TKD/CE DN 10÷50 PVC-U

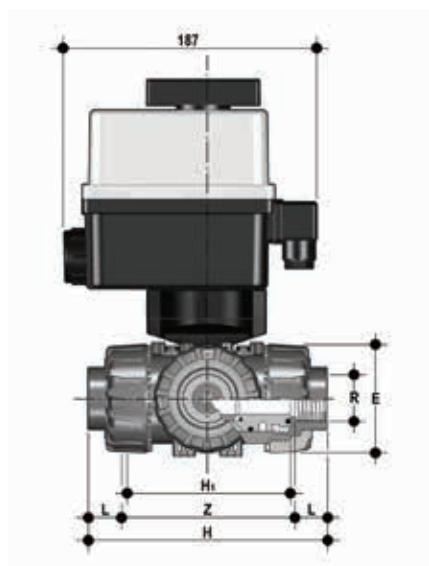


TKDDV/CE 24 V AC/DC

Valvola a sfera a 3 vie DUAL BLOCK® con attacchi maschio metrici con attuatore elettrico 24 V AC/DC. Sfera a "T", configurazione 1

d	DN	PN	E	H	H ₁	L	g	Codice EPDM	Codice FKM
20	15	16	54	140	80	16	1843	TKDDVEL020E1	TKDDVEL020F1
25	20	16	65	175	100	19	2076	TKDDVEL025E1	TKDDVEL025F1
32	25	16	73	188	110	22	2299	TKDDVEL032E1	TKDDVEL032F1
40	32	16	86	220	131	26	2880	TKDDVEL040E1	TKDDVEL040F1
50	40	16	98	251	148	31	3242	TKDDVEL050E1	TKDDVEL050F1
63	50	*10	122	294	179	38	4362	TKDDVEL063E1	TKDDVEL063F1

* PN16 a richiesta



TKDFV/CE 90-240 V AC

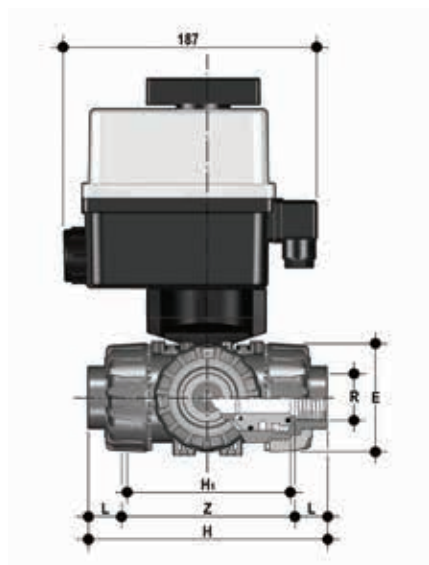
Valvola a 3 vie DUAL BLOCK® con attacchi femmina filettatura cilindrica gas con attuatore elettrico multivolt 90-240 V AC 50-60 Hz sfera a "T", configurazione 1

R	DN	PN	E	H	H ₁	L	Z	g	Codice EPDM	Codice FKM
3/8"	10	16	54	118	80	11,4	95	1843	TKDFVEM038E1	TKDFVEM038F1
1/2"	15	16	54	125	80	15	95	1843	TKDFVEM012E1	TKDFVEM012F1
3/4"	20	16	65	146	100	16,3	114	2076	TKDFVEM034E1	TKDFVEM034F1
1"	25	16	73	166	110	19,1	129	2299	TKDFVEM100E1	TKDFVEM100F1
1" 1/4	32	16	86	195,5	131	21,4	151	2880	TKDFVEM114E1	TKDFVEM114F1
1" 1/2	40	16	98	211	148	21,4	166	3242	TKDFVEM112E1	TKDFVEM112F1
2"	50	*10	122	253,5	179	25,7	199	4362	TKDFVEM200E1	TKDFVEM200F1

* PN16 a richiesta

DIMENSIONI

TKD/CE DN 10÷50 PVC-U

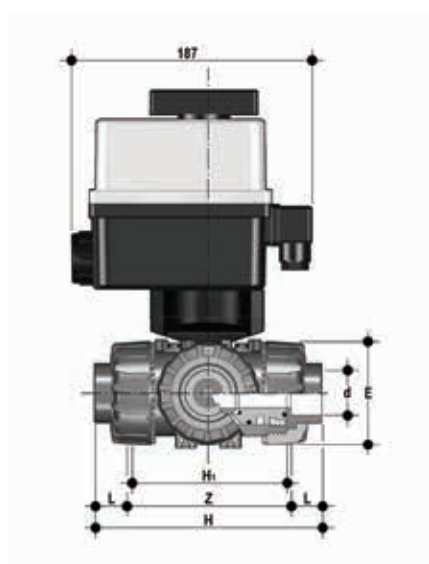


TKDFV/CE 24 V AC/DC

Valvola a 3 vie DUAL BLOCK® con attacchi femmina filettatura cilindrica gas con attuatore elettrico 24 V AC/DC sfera a "T", configurazione 1

R	DN	PN	E	H	H ₁	L	Z	g	Codice EPDM	Codice FKM
3/8"	10	16	54	118	80	11,4	95	1843	TKDFVEL038E1	TKDFVEL038F1
1/2"	15	16	54	125	80	15	95	1843	TKDFVEL012E1	TKDFVEL012F1
3/4"	20	16	65	146	100	16,3	114	2076	TKDFVEL034E1	TKDFVEL034F1
1"	25	16	73	166	110	19,1	129	2299	TKDFVEL100E1	TKDFVEL100F1
1" 1/4	32	16	86	195,5	131	21,4	151	2880	TKDFVEL114E1	TKDFVEL114F1
1" 1/2	40	16	98	211	148	21,4	166	3242	TKDFVEL112E1	TKDFVEL112F1
2"	50	*10	122	253,5	179	25,7	199	4362	TKDFVEL200E1	TKDFVEL200F1

* PN16 a richiesta



TKDLV/CE 90-240 V AC

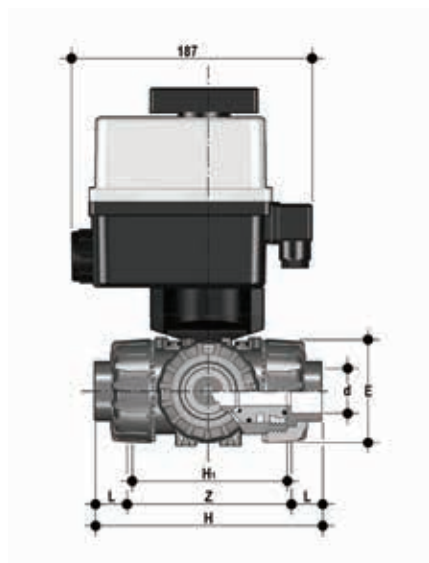
Valvola a sfera a 3 vie DUAL BLOCK® con attacchi femmina, serie BS con attuatore elettrico multivolt 90-240 V AC 50-60 Hz. Sfera a "T", configurazione 1

d	DN	PN	E	H	H ₁	L	Z	g	Codice EPDM	Codice FKM
3/8"	10	16	54	118	80	14,7	88,6	1843	TKDLVEM038E1	TKDLVEM038F1
1/2"	15	16	54	118	80	17	85	1843	TKDLVEM012E1	TKDLVEM012F1
3/4"	20	16	65	145	100	19	106,8	2076	TKDLVEM034E1	TKDLVEM034F1
1"	25	16	73	160	110	22,5	115	2299	TKDLVEM100E1	TKDLVEM100F1
1" 1/4	32	16	86	188,5	131	26	136,6	2880	TKDLVEM114E1	TKDLVEM114F1
1" 1/2	40	16	98	219	148	30,2	159	3242	TKDLVEM112E1	TKDLVEM112F1
2"	50	*10	122	266,5	179	36,2	194,2	4362	TKDLVEM200E1	TKDLVEM200F1

* PN16 a richiesta

DIMENSIONI

TKD/CE DN 10÷50 PVC-U

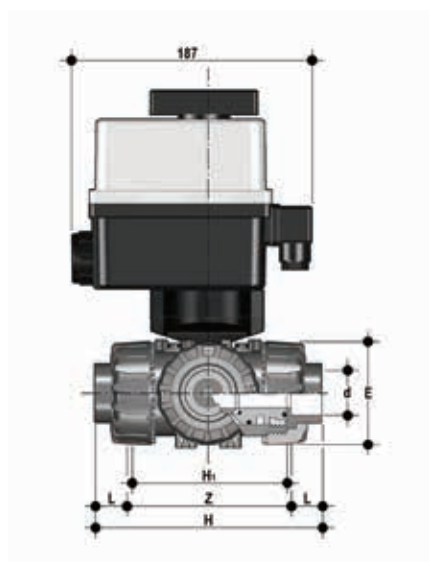


TKDLV/CE 24 V AC/DC

Valvola a sfera a 3 vie DUAL BLOCK® con attacchi femmina, serie BS con attuatore elettrico 24 V AC/DC. Sfera a "T", configurazione 1

d	DN	PN	E	H	H ₁	L	Z	g	Codice EPDM	Codice FKM
3/8"	10	16	54	118	80	14,7	88,6	1843	TKDLVELO38E1	TKDLVELO38F1
1/2"	15	16	54	118	80	17	85	1843	TKDLVELO12E1	TKDLVELO12F1
3/4"	20	16	65	145	100	19	106,8	2076	TKDLVELO34E1	TKDLVELO34F1
1"	25	16	73	160	110	22,5	115	2299	TKDLVEL100E1	TKDLVEL100F1
1" 1/4	32	16	86	188,5	131	26	136,6	2880	TKDLVEL114E1	TKDLVEL114F1
1" 1/2	40	16	98	219	148	30,2	159	3242	TKDLVEL112E1	TKDLVEL112F1
2"	50	*10	122	266,5	179	36,2	194,2	4362	TKDLVEL200E1	TKDLVEL200F1

* PN16 a richiesta



TKDAV/CE 90-240 V AC

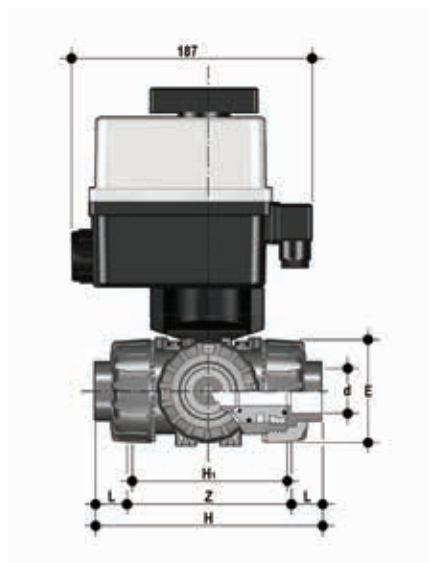
Valvola a sfera a 3 vie DUAL BLOCK® con attacchi femmina, serie ASTM con attuatore elettrico multivolt 90-240 V AC 50-60 Hz. Sfera a "T", configurazione 1

d	DN	PN	E	H	H ₁	L	Z	g	Codice EPDM	Codice FKM
3/8"	10	16	54	132,2	80	19,5	93,2	1843	TKDAVEM038E1	TKDAVEM038F1
1/2"	15	16	54	132,2	80	23	87,2	1843	TKDAVEM012E1	TKDAVEM012F1
3/4"	20	16	65	159,2	100	25,5	108,2	2076	TKDAVEM034E1	TKDAVEM034F1
1"	25	16	73	174	110	28,7	116,6	2299	TKDAVEM100E1	TKDAVEM100F1
1" 1/4	32	16	86	205	131	32	141	2880	TKDAVEM114E1	TKDAVEM114F1
1" 1/2	40	16	98	227,6	148	35	157,6	3242	TKDAVEM112E1	TKDAVEM112F1
2"	50	*10	122	267	179	38,2	190,6	4362	TKDAVEM200E1	TKDAVEM200F1

* PN16 a richiesta

DIMENSIONI

TKD/CE DN 10÷50 PVC-U

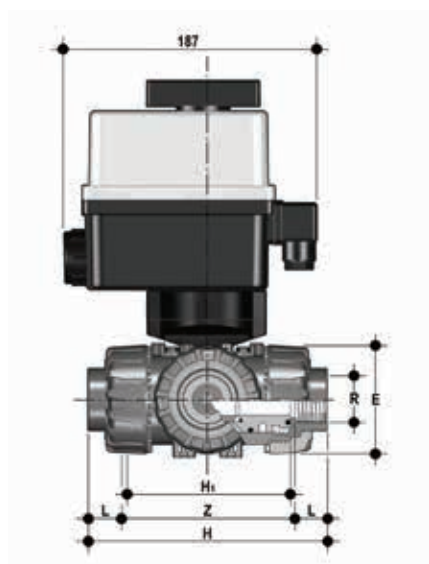


TKDAV/CE 24 V AC/DC

Valvola a sfera a 3 vie DUAL BLOCK® con attacchi femmina, serie ASTM con attuatore elettrico 24 V AC/DC. Sfera a "T", configurazione 1

d	DN	PN	E	H	H ₁	L	Z	g	Codice EPDM	Codice FKM
3/8"	10	16	54	132,2	80	19,5	93,2	1843	TKDAVEL038E1	TKDAVEL038F1
1/2"	15	16	54	132,2	80	23	87,2	1843	TKDAVEL012E1	TKDAVEL012F1
3/4"	20	16	65	159,2	100	25,5	108,2	2076	TKDAVEL034E1	TKDAVEL034F1
1"	25	16	73	174	110	28,7	116,6	2299	TKDAVEL100E1	TKDAVEL100F1
1" 1/4	32	16	86	205	131	32	141	2880	TKDAVEL114E1	TKDAVEL114F1
1" 1/2	40	16	98	227,6	148	35	157,6	3242	TKDAVEL112E1	TKDAVEL112F1
2"	50	*10	122	267	179	38,2	190,6	4362	TKDAVEL200E1	TKDAVEL200F1

* PN16 a richiesta



TKDNV/CE 90-240 V AC

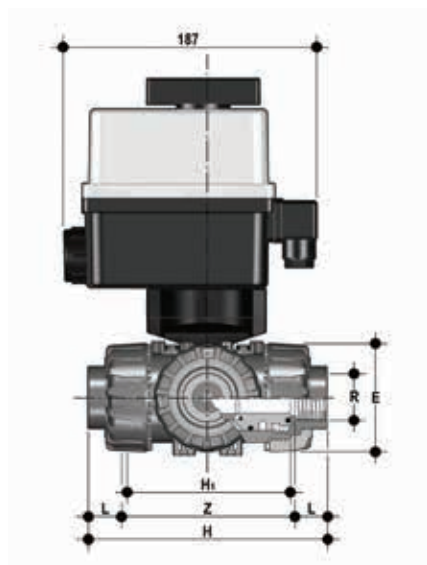
Valvola a sfera a 3 vie DUAL BLOCK® con attacchi femmina, filettatura NPT con attuatore elettrico multivolt 90-240 V AC 50-60 Hz. Sfera a "T", configurazione 1

d	DN	PN	E	H	H ₁	L	Z	g	Codice EPDM	Codice FKM
3/8"	10	16	54	118	80	13,7	90,6	1843	TKDNVEM038E1	TKDNVEM038F1
1/2"	15	16	54	125	80	18	90,4	1843	TKDNVEM012E1	TKDNVEM012F1
3/4"	20	16	65	146,4	100	18	110,4	2076	TKDNVEM034E1	TKDNVEM034F1
1"	25	16	73	166,6	110	22,6	121,4	2299	TKDNVEM100E1	TKDNVEM100F1
1" 1/4	32	16	86	195,8	131	25,1	145,6	2880	TKDNVEM114E1	TKDNVEM114F1
1" 1/2	40	16	98	211,4	148	24,7	162	3242	TKDNVEM112E1	TKDNVEM112F1
2"	50	*10	122	253,8	179	29,6	194,6	4362	TKDNVEM200E1	TKDNVEM200F1

* PN16 a richiesta

DIMENSIONI

TKD/CE DN 10÷50 PVC-U

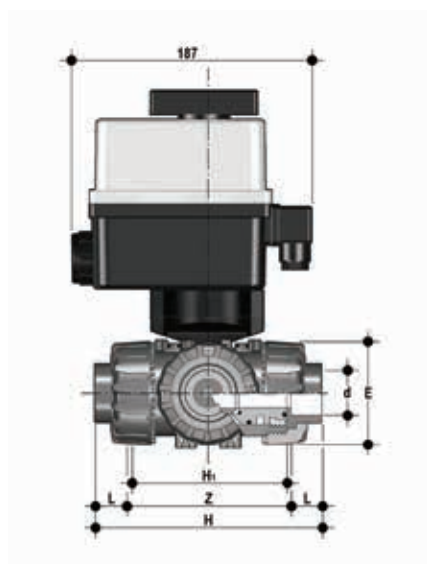


TKDNV/CE 24 V AC/DC

Valvola a sfera a 3 vie DUAL BLOCK® con attacchi femmina, filettatura NPT con attuatore elettrico 24 V AC/DC. Sfera a "T", configurazione 1

R	DN	PN	E	H	H _i	L	Z	g	Codice EPDM	Codice FKM
3/8"	10	16	54	118	80	13,7	90,6	1843	TKDNVELO38E1	TKDNVELO38F1
1/2"	15	16	54	125	80	18	90,4	1843	TKDNVELO12E1	TKDNVELO12F1
3/4"	20	16	65	146,4	100	18	110,4	2076	TKDNVELO34E1	TKDNVELO34F1
1"	25	16	73	166,6	110	22,6	121,4	2299	TKDNVEL100E1	TKDNVEL100F1
1" 1/4	32	16	86	195,8	131	25,1	145,6	2880	TKDNVEL114E1	TKDNVEL114F1
1" 1/2	40	16	98	211,4	148	24,7	162	3242	TKDNVEL112E1	TKDNVEL112F1
2"	50	*10	122	253,8	179	29,6	194,6	4362	TKDNVEL200E1	TKDNVEL200F1

* PN16 a richiesta



TKDJV/CE 90-240 V AC

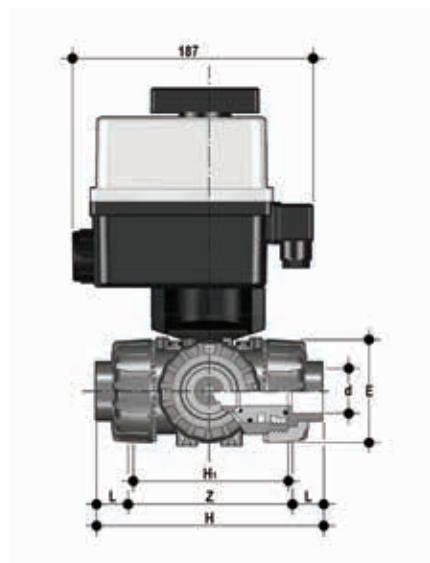
Valvola a sfera a 3 vie DUAL BLOCK® con attacchi femmina, serie JIS con attuatore elettrico multivolt 90-240 V AC 50-60 Hz. Sfera a "T", configurazione 1

d	DN	PN	E	H	H _i	L	Z	g	Codice EPDM	Codice FKM
1/2"	15	16	54	146	80	30	86	1843	TKDJVEM012E1	TKDJVEM012F1
3/4"	20	16	65	177	100	35	107	2076	TKDJVEM034E1	TKDJVEM034F1
1"	25	16	73	196	110	40	116	2299	TKDJVEM100E1	TKDJVEM100F1
1" 1/4	32	16	86	225	131	44	137	2880	TKDJVEM114E1	TKDJVEM114F1
1" 1/2	40	16	98	267,2	148	55	157,2	3242	TKDJVEM112E1	TKDJVEM112F1
2"	50	*10	122	316	179	63	190	4362	TKDJVEM200E1	TKDJVEM200F1

* PN16 a richiesta

DIMENSIONI

TKD/CE DN 10÷50 PVC-U

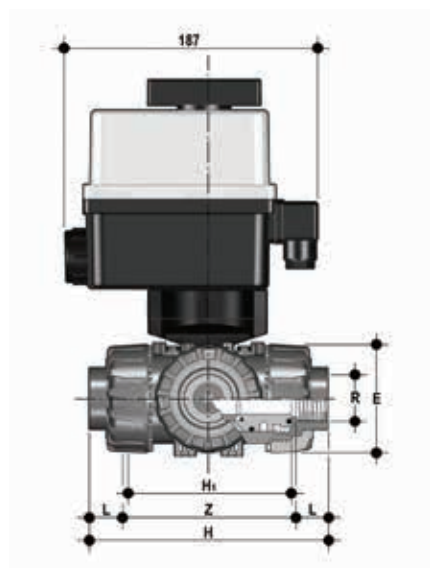


TKDJV/CE 24 V AC/DC

Valvola a sfera a 3 vie DUAL BLOCK® con attacchi femmina, serie JIS con attuatore elettrico 24 V AC/DC. Sfera a "T", configurazione 1

d	DN	PN	E	H	H ₁	L	Z	g	Codice EPDM	Codice FKM
1/2"	15	16	54	146	80	30	86	1843	TKDJVEL012E1	TKDJVEL012F1
3/4"	20	16	65	177	100	35	107	2076	TKDJVEL034E1	TKDJVEL034F1
1"	25	16	73	196	110	40	116	2299	TKDJVEL100E1	TKDJVEL100F1
1" 1/4	32	16	86	225	131	44	137	2880	TKDJVEL144E1	TKDJVEL144F1
1" 1/2	40	16	98	267,2	148	55	157,2	3242	TKDJVEL112E1	TKDJVEL112F1
2"	50	*10	122	316	179	63	190	4362	TKDJVEL200E1	TKDJVEL200F1

* PN16 a richiesta



TKDGV/CE 90-240 V AC

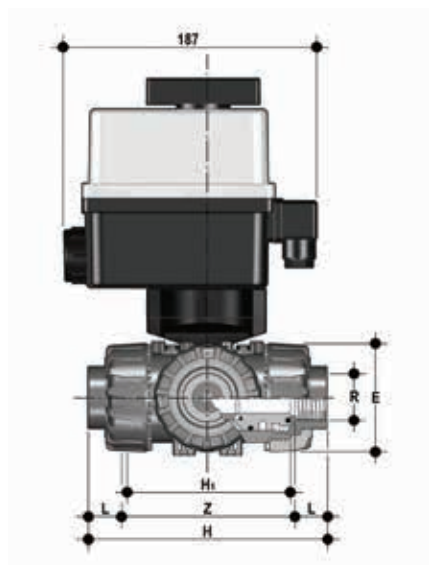
Valvola a sfera a 3 vie DUAL BLOCK® con attacchi femmina, filettatura JIS con attuatore elettrico multivolt 90-240 V AC 50-60 Hz. Sfera a "T", configurazione 1

R	DN	PN	E	H	H ₁	L	Z	g	Codice EPDM	Codice FKM
1/2"	15	16	54	118	80	16	86	1843	TKDGVEM012E1	TKDGVEM012F1
3/4"	20	16	65	144,8	100	19	106,8	2076	TKDGVEM034E1	TKDGVEM034F1
1"	25	16	73	160	110	22	116	2299	TKDGVEM100E1	TKDGVEM100F1
1" 1/4	32	16	86	188,6	131	25	138,6	2880	TKDGVEM114E1	TKDGVEM114F1
1" 1/2	40	16	98	219,4	148	26	167,4	3242	TKDGVEM112E1	TKDGVEM112F1
2"	50	*10	122	266,6	179	31	204,6	4362	TKDGVEM200E1	TKDGVEM200F1

* PN16 a richiesta

DIMENSIONI

TKD/CE DN 10÷50 PVC-U

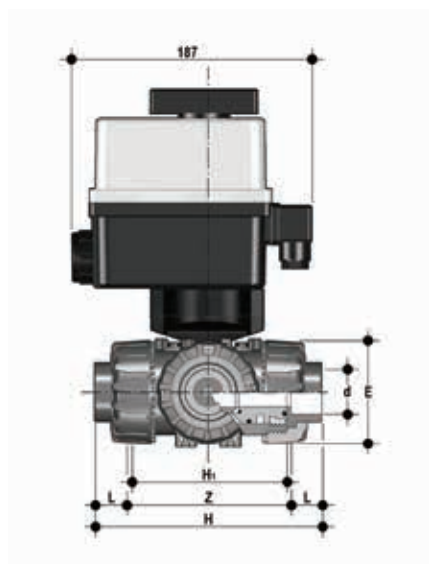


TKDGV/CE 24 V AC/DC

Valvola a sfera a 3 vie DUAL BLOCK® con attacchi femmina, filettatura JIS con attuatore elettrico 24 V AC/DC. Sfera a "T", configurazione 1

R	DN	PN	E	H	H ₁	L	Z	g	Codice EPDM	Codice FKM
1/2"	15	16	54	118	80	16	86	1843	TKDGVEL012E1	TKDGVEL012F1
3/4"	20	16	65	144,8	100	19	106,8	2076	TKDGVEL034E1	TKDGVEL034F1
1"	25	16	73	160	110	22	116	2299	TKDGVEL100E1	TKDGVEL100F1
1" 1/4	32	16	86	188,6	131	25	138,6	2880	TKDGVEL114E1	TKDGVEL114F1
1" 1/2	40	16	98	219,4	148	26	167,4	3242	TKDGVEL112E1	TKDGVEL112F1
2"	50	*10	122	266,6	179	31	204,6	4362	TKDGVEL200E1	TKDGVEL200F1

* PN16 a richiesta



LKDIV/CE 90-240 V AC

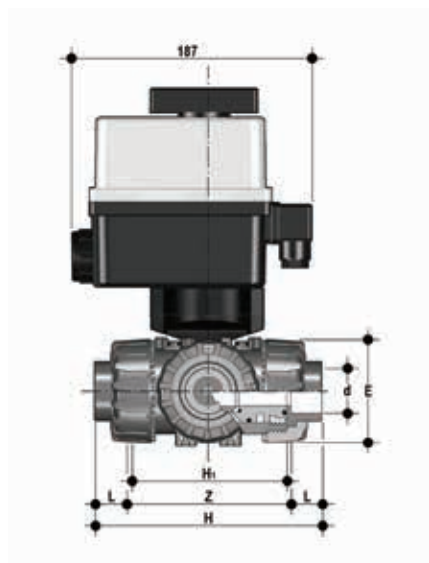
Valvola a 3 vie DUAL BLOCK® con attacchi femmina metrici con attuatore elettrico multivolt 90-240 V AC 50-60 Hz sfera a "L"

d	DN	PN	E	H	H ₁	L	Z	g	Codice EPDM	Codice FKM
16	10	16	54	118	80	14	90	1843	LKDIVEM016E1	LKDIVEM016F1
20	15	16	54	118	80	16	86	1843	LKDIVEM020E1	LKDIVEM020F1
25	20	16	65	145	100	19	107	2076	LKDIVEM025E1	LKDIVEM025F1
32	25	16	73	160	110	22	116	2299	LKDIVEM032E1	LKDIVEM032F1
40	32	16	86	188,5	131	26	136,5	2880	LKDIVEM040E1	LKDIVEM040F1
50	40	16	98	219	148	31	157	3242	LKDIVEM050E1	LKDIVEM050F1
63	50	*10	122	266,5	179	38	190,5	4362	LKDIVEM063E1	LKDIVEM063F1

* PN16 a richiesta

DIMENSIONI

TKD/CE DN 10÷50 PVC-U

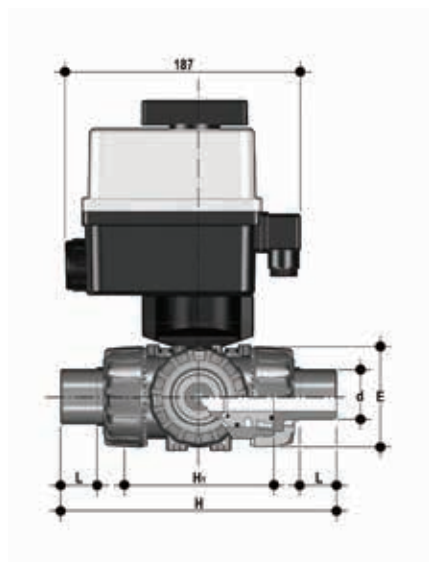


LKDIV/CE 24 V AC/DC

Valvola a 3 vie DUAL BLOCK® con attacchi femmina metrici con attuatore elettrico 24 V AC/DC sfera a "L"

d	DN	PN	E	H	H ₁	L	Z	g	Codice EPDM	Codice FKM
16	10	16	54	118	80	14	90	1843	LKDIVEL016E1	LKDIVEL016F1
20	15	16	54	118	80	16	86	1843	LKDIVEL020E1	LKDIVEL020F1
25	20	16	65	145	100	19	107	2076	LKDIVEL025E1	LKDIVEL025F1
32	25	16	73	160	110	22	116	2299	LKDIVEL032E1	LKDIVEL032F1
40	32	16	86	188,5	131	26	136,5	2880	LKDIVEL040E1	LKDIVEL040F1
50	40	16	98	219	148	31	157	3242	LKDIVEL050E1	LKDIVEL050F1
63	50	*10	122	266,5	179	38	190,5	4362	LKDIVEL063E1	LKDIVEL063F1

* PN16 a richiesta



LKDDV/CE 90-240 V AC

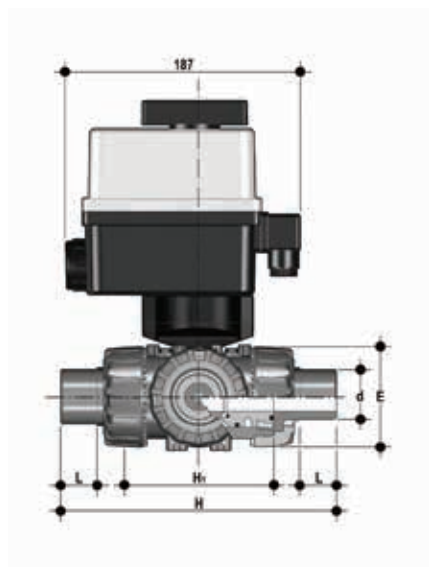
Valvola a sfera a 3 vie DUAL BLOCK® con attacchi maschio metrici con attuatore elettrico multivolt 90-240 V AC 50-60 Hz. Sfera a "L"

d	DN	PN	E	H	H ₁	L	g	Codice EPDM	Codice FKM
20	15	16	54	140	80	16	1843	LKDDVEM020E1	LKDDVEM020F1
25	20	16	65	175	100	19	2076	LKDDVEM025E1	LKDDVEM025F1
32	25	16	73	188	110	22	2299	LKDDVEM032E1	LKDDVEM032F1
40	32	16	86	220	131	26	2880	LKDDVEM040E1	LKDDVEM040F1
50	40	16	98	251	148	31	3242	LKDDVEM050E1	LKDDVEM050F1
63	50	*10	122	294	179	38	4362	LKDDVEM063E1	LKDDVEM063F1

* PN16 a richiesta

DIMENSIONI

TKD/CE DN 10÷50 PVC-U

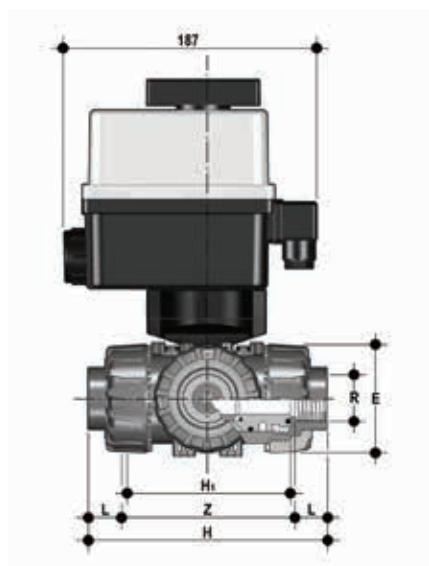


LKDDV/CE 24 V AC/DC

Valvola a sfera a 3 vie DUAL BLOCK® con attacchi maschio metrici con attuatore elettrico 24 V AC/DC. Sfera a "L"

d	DN	PN	E	H	H ₁	L	g	Codice EPDM	Codice FKM
20	15	16	54	140	80	16	1843	LKDDVEL020E1	LKDDVEL020F1
25	20	16	65	175	100	19	2076	LKDDVEL025E1	LKDDVEL025F1
32	25	16	73	188	110	22	2299	LKDDVEL032E1	LKDDVEL032F1
40	32	16	86	220	131	26	2880	LKDDVEL040E1	LKDDVEL040F1
50	40	16	98	251	148	31	3242	LKDDVEL050E1	LKDDVEL050F1
63	50	*10	122	294	179	38	4362	LKDDVEL063E1	LKDDVEL063F1

* PN16 a richiesta



LKDFV/CE 90-240 V AC

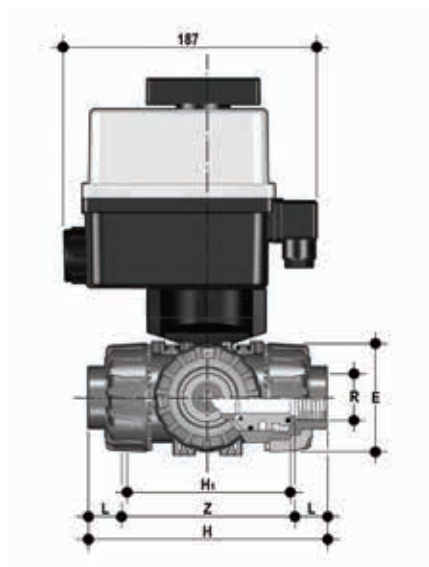
Valvola a 3 vie DUAL BLOCK® con attacchi femmina filettatura cilindrica gas con attuatore elettrico multivolt 90-240 V AC 50-60 Hz sfera a "L"

R	DN	PN	E	H	H ₁	L	Z	g	Codice EPDM	Codice FKM
3/8"	10	16	54	118	80	11,4	95	1843	LKDFVEM038E1	LKDFVEM038F1
1/2"	15	16	54	125	80	15	95	1843	LKDFVEM012E1	LKDFVEM012F1
3/4"	20	16	65	146	100	16,3	114	2076	LKDFVEM034E1	LKDFVEM034F1
1"	25	16	73	166	110	19,1	129	2299	LKDFVEM100E1	LKDFVEM100F1
1" 1/4	32	16	86	195,5	131	21,4	151	2880	LKDFVEM114E1	LKDFVEM114F1
1" 1/2	40	16	98	211	148	21,4	166	3242	LKDFVEM112E1	LKDFVEM112F1
2"	50	*10	122	253,5	179	25,7	199	4362	LKDFVEM200E1	LKDFVEM200F1

* PN16 a richiesta

DIMENSIONI

TKD/CE DN 10÷50 PVC-U

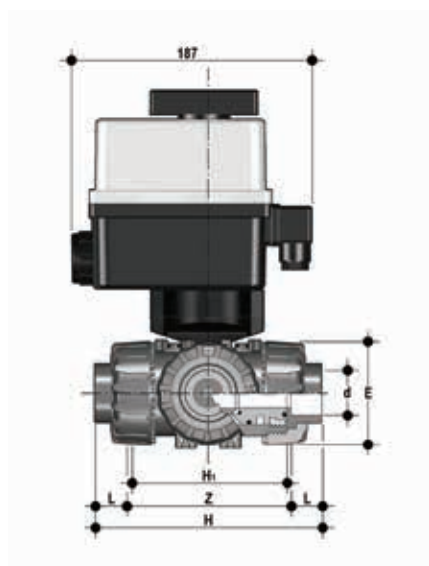


LKDFV/CE 24 V AC/DC

Valvola a 3 vie DUAL BLOCK® con attacchi femmina filettatura cilindrica gas con attuatore elettrico 24 V AC/DC sfera a "L"

R	DN	PN	E	H	H ₁	L	Z	g	Codice EPDM	Codice FKM
3/8"	10	16	54	118	80	11,4	95	1843	LKDFVEL038E1	LKDFVEL038F1
1/2"	15	16	54	125	80	15	95	1843	LKDFVEL012E1	LKDFVEL012F1
3/4"	20	16	65	146	100	16,3	114	2076	LKDFVEL034E1	LKDFVEL034F1
1"	25	16	73	166	110	19,1	129	2299	LKDFVEL100E1	LKDFVEL100F1
1" 1/4	32	16	86	195,5	131	21,4	151	2880	LKDFVEL114E1	LKDFVEL114F1
1" 1/2	40	16	98	211	148	21,4	166	3242	LKDFVEL112E1	LKDFVEL112F1
2"	50	*10	122	253,5	179	25,7	199	4362	LKDFVEL200E1	LKDFVEL200F1

* PN16 a richiesta



LKDLV/CE 90-240 V AC

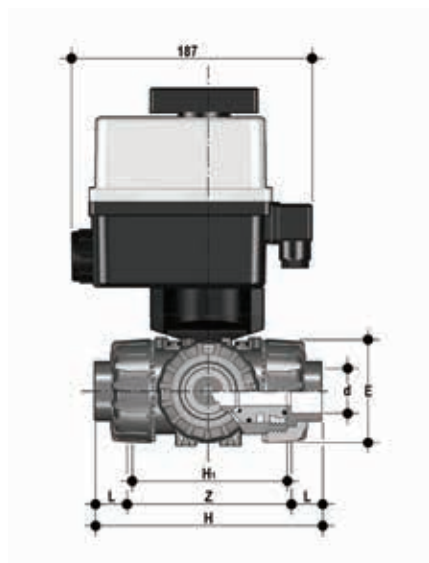
Valvola a sfera a 3 vie DUAL BLOCK® con attacchi femmina, serie BS con attuatore elettrico multivolt 90-240 V AC 50-60 Hz. Sfera a "L"

d	DN	PN	E	H	H ₁	L	Z	g	LKDLV EPDM	Codice FKM
3/8"	10	16	54	118	80	14,7	88,6	1843	LKDLVEM038E1	LKDLVEM038F1
1/2"	15	16	54	118	80	17	85	1843	LKDLVEM012E1	LKDLVEM012F1
3/4"	20	16	65	145	100	19	106,8	2076	LKDLVEM034E1	LKDLVEM034F1
1"	25	16	73	160	110	22,5	115	2299	LKDLVEM100E1	LKDLVEM100F1
1" 1/4	32	16	86	188,5	131	26	136,6	2880	LKDLVEM114E1	LKDLVEM114F1
1" 1/2	40	16	98	219	148	30,2	159	3242	LKDLVEM112E1	LKDLVEM112F1
2"	50	*10	122	266,5	179	36,2	194,2	4362	LKDLVEM200E1	LKDLVEM200F1

* PN16 a richiesta

DIMENSIONI

TKD/CE DN 10÷50 PVC-U

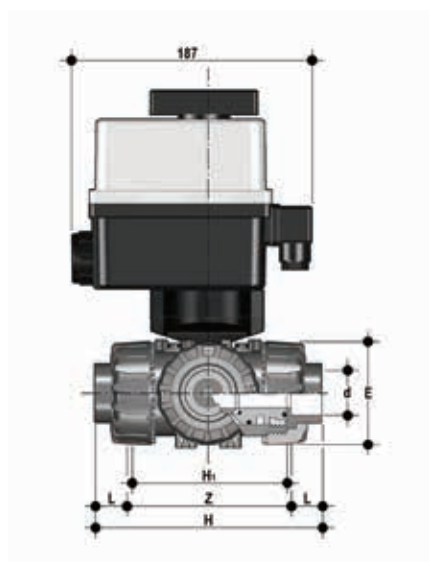


LKDLV/CE 24 V AC/DC

Valvola a sfera a 3 vie DUAL BLOCK® con attacchi femmina, serie BS con attuatore elettrico 24 V AC/DC. Sfera a "L"

d	DN	PN	E	H	H ₁	L	Z	g	Codice EPDM	Codice FKM
3/8"	10	16	54	118	80	14,7	88,6	1843	LKDLVELO38E1	LKDLVELO38F1
1/2"	15	16	54	118	80	17	85	1843	LKDLVELO12E1	LKDLVELO12F1
3/4"	20	16	65	145	100	19	106,8	2076	LKDLVELO34E1	LKDLVELO34F1
1"	25	16	73	160	110	22,5	115	2299	LKDLVEL100E1	LKDLVEL100F1
1" 1/4	32	16	86	188,5	131	26	136,6	2880	LKDLVEL114E1	LKDLVEL114F1
1" 1/2	40	16	98	219	148	30,2	159	3242	LKDLVEL112E1	LKDLVEL112F1
2"	50	*10	122	266,5	179	36,2	194,2	4362	LKDLVEL200E1	LKDLVEL200F1

* PN16 a richiesta



LKDAV/CE 90-240 V AC

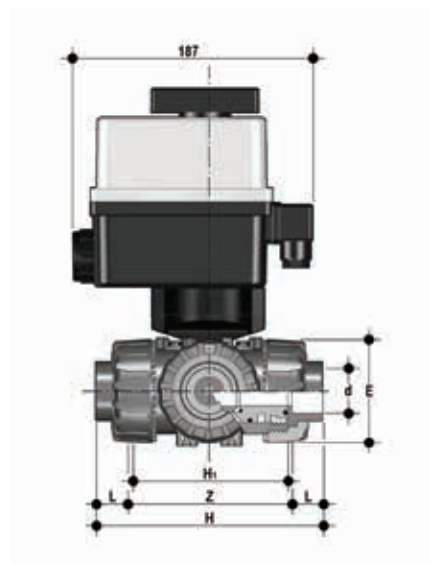
Valvola a sfera a 3 vie DUAL BLOCK® con attacchi femmina, serie ASTM con attuatore elettrico multivolt 90-240 V AC 50-60 Hz. Sfera a "L"

d	DN	PN	E	H	H ₁	L	Z	g	Codice EPDM	Codice FKM
3/8"	10	16	54	132,2	80	19,5	93,2	1843	LKDAVEM038E1	LKDAVEM038F1
1/2"	15	16	54	132,2	80	23	87,2	1843	LKDAVEM012E1	LKDAVEM012F1
3/4"	20	16	65	159,2	100	25,5	108,2	2076	LKDAVEM034E1	LKDAVEM034F1
1"	25	16	73	174	110	28,7	116,6	2299	LKDAVEM100E1	LKDAVEM100F1
1" 1/4	32	16	86	205	131	32	141	2880	LKDAVEM114E1	LKDAVEM114F1
1" 1/2	40	16	98	227,6	148	35	157,6	3242	LKDAVEM112E1	LKDAVEM112F1
2"	50	*10	122	267	179	38,2	190,6	4362	LKDAVEM200E1	LKDAVEM200F1

* PN16 a richiesta

DIMENSIONI

TKD/CE DN 10÷50 PVC-U

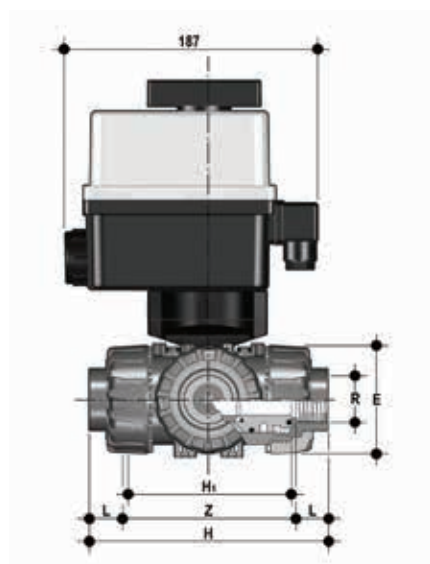


LKDAV/CE 24 V AC/DC

Valvola a sfera a 3 vie DUAL BLOCK® con attacchi femmina, serie ASTM con attuatore elettrico 24 V AC/DC. Sfera a "L"

d	DN	PN	E	H	H ₁	L	Z	g	Codice EPDM	Codice FKM
3/8"	10	16	54	132,2	80	19,5	93,2	1843	LKDAVEL038E1	LKDAVEL038F1
1/2"	15	16	54	132,2	80	23	87,2	1843	LKDAVEL012E1	LKDAVEL012F1
3/4"	20	16	65	159,2	100	25,5	108,2	2076	LKDAVEL034E1	LKDAVEL034F1
1"	25	16	73	174	110	28,7	116,6	2299	LKDAVEL100E1	LKDAVEL100F1
1" 1/4	32	16	86	205	131	32	141	2880	LKDAVEL114E1	LKDAVEL114F1
1" 1/2	40	16	98	227,6	148	35	157,6	3242	LKDAVEL112E1	LKDAVEL112F1
2"	50	*10	122	267	179	38,2	190,6	4362	LKDAVEL200E1	LKDAVEL200F1

* PN16 a richiesta



LKDNV/CE 90-240 V AC

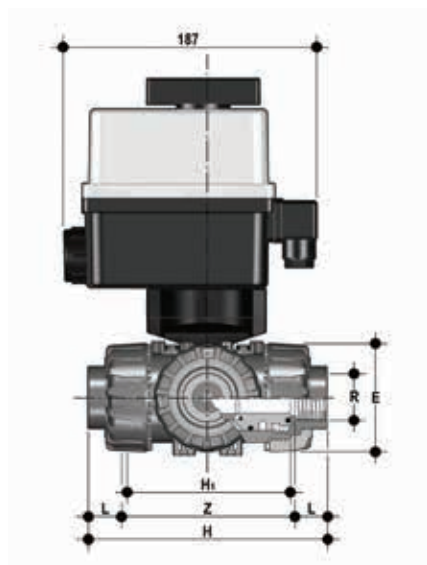
Valvola a sfera a 3 vie DUAL BLOCK® con attacchi femmina, filettatura NPT con attuatore elettrico multivolt 90-240 V AC 50-60 Hz. Sfera a "L"

R	DN	PN	E	H	H ₁	L	Z	g	Codice EPDM	Codice FKM
3/8"	10	16	54	118	80	13,7	90,6	1843	LKDNVEM038E1	LKDNVEM038F1
1/2"	15	16	54	125	80	18	90,4	1843	LKDNVEM012E1	LKDNVEM012F1
3/4"	20	16	65	146,4	100	18	110,4	2076	LKDNVEM034E1	LKDNVEM034F1
1"	25	16	73	166,6	110	22,6	121,4	2299	LKDNVEM100E1	LKDNVEM100F1
1" 1/4	32	16	86	195,8	131	25,1	145,6	2880	LKDNVEM114E1	LKDNVEM114F1
1" 1/2	40	16	98	211,4	148	24,7	162	3242	LKDNVEM112E1	LKDNVEM112F1
2"	50	*10	122	253,8	179	29,6	194,6	4362	LKDNVEM200E1	LKDNVEM200F1

* PN16 a richiesta

DIMENSIONI

TKD/CE DN 10÷50 PVC-U

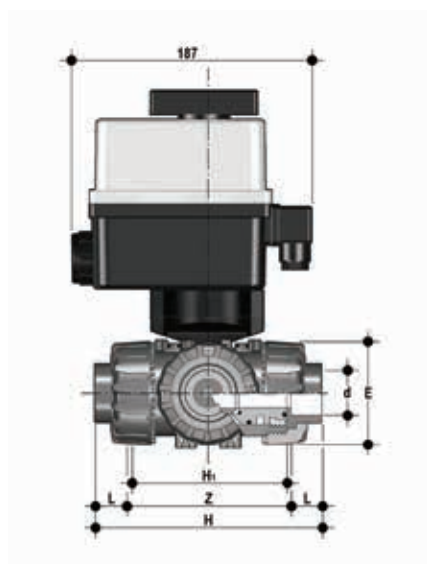


LKDNV/CE 24 V AC/DC

Valvola a sfera a 3 vie DUAL BLOCK® con attacchi femmina, filettatura NPT con attuatore elettrico 24 V AC/DC. Sfera a "L"

R	DN	PN	E	H	H _i	L	Z	g	Codice EPDM	Codice FKM
3/8"	10	16	54	118	80	13,7	90,6	1843	LKDNVELO38E1	LKDNVELO38F1
1/2"	15	16	54	125	80	18	90,4	1843	LKDNVELO12E1	LKDNVELO12F1
3/4"	20	16	65	146,4	100	18	110,4	2076	LKDNVELO34E1	LKDNVELO34F1
1"	25	16	73	166,6	110	22,6	121,4	2299	LKDNVEL100E1	LKDNVEL100F1
1" 1/4	32	16	86	195,8	131	25,1	145,6	2880	LKDNVEL114E1	LKDNVEL114F1
1" 1/2	40	16	98	211,4	148	24,7	162	3242	LKDNVEL112E1	LKDNVEL112F1
2"	50	*10	122	253,8	179	29,6	194,6	4362	LKDNVEL200E1	LKDNVEL200F1

* PN16 a richiesta



LKDJV/CE 90-240 V AC

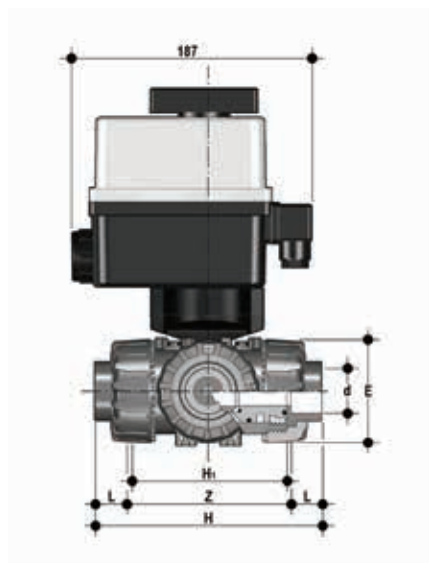
Valvola a sfera a 3 vie DUAL BLOCK® con attacchi femmina, serie JIS con attuatore elettrico multivolt 90-240 V AC 50-60 Hz. Sfera a "L"

d	DN	PN	E	H	H _i	L	Z	g	Codice EPDM	Codice FKM
1/2"	15	16	54	146	80	30	86	1843	LKDJVEM012E1	LKDJVEM012F1
3/4"	20	16	65	177	100	35	107	2076	LKDJVEM034E1	LKDJVEM034F1
1"	25	16	73	196	110	40	116	2299	LKDJVEM100E1	LKDJVEM100F1
1" 1/4	32	16	86	225	131	44	137	2880	LKDJVEM114E1	LKDJVEM114F1
1" 1/2	40	16	98	267,2	148	55	157,2	3242	LKDJVEM112E1	LKDJVEM112F1
2"	50	*10	122	316	179	63	190	4362	LKDJVEM200E1	LKDJVEM200F1

* PN16 a richiesta

DIMENSIONI

TKD/CE DN 10÷50 PVC-U

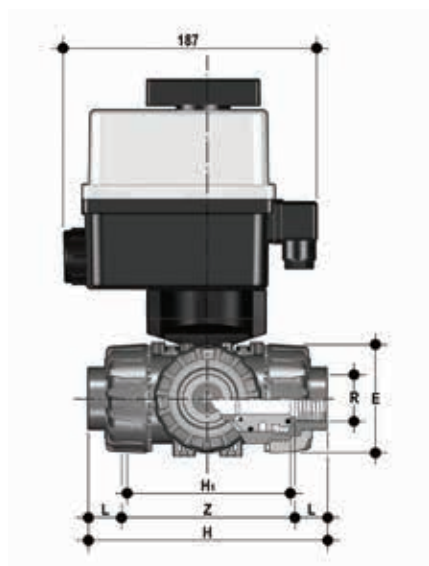


LKDJV/CE 24 V AC/DC

Valvola a sfera a 3 vie DUAL BLOCK® con attacchi femmina, serie JIS con attuatore elettrico 24 V AC/DC. Sfera a "L"

d	DN	PN	E	H	H ₁	L	Z	g	Codice EPDM	Codice FKM
1/2"	15	16	54	146	80	30	86	1843	LKDJV012E1	LKDJV012F1
3/4"	20	16	65	177	100	35	107	2076	LKDJV034E1	LKDJV034F1
1"	25	16	73	196	110	40	116	2299	LKDJV100E1	LKDJV100F1
1" 1/4	32	16	86	225	131	44	137	2880	LKDJV144E1	LKDJV144F1
1" 1/2	40	16	98	267,2	148	55	157,2	3242	LKDJV112E1	LKDJV112F1
2"	50	*10	122	316	179	63	190	4362	LKDJV200E1	LKDJV200F1

* PN16 a richiesta



LKDGV/CE 90-240 V AC

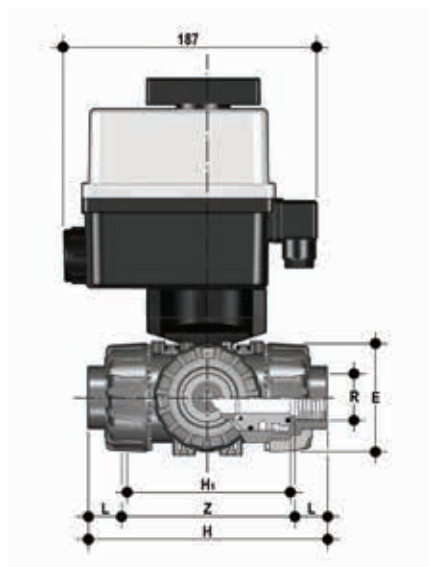
Valvola a sfera a 3 vie DUAL BLOCK® con attacchi femmina, filettatura JIS con attuatore elettrico multivolt 90-240 V AC 50-60 Hz. Sfera a "L"

R	DN	PN	E	H	H ₁	L	Z	g	Codice EPDM	Codice FKM
1/2"	15	16	54	118	80	16	86	1843	LKDGV012E1	LKDGV012F1
3/4"	20	16	65	144,8	100	19	106,8	2076	LKDGV034E1	LKDGV034F1
1"	25	16	73	160	110	22	116	2299	LKDGV100E1	LKDGV100F1
1" 1/4	32	16	86	188,6	131	25	138,6	2880	LKDGV144E1	LKDGV144F1
1" 1/2	40	16	98	219,4	148	26	167,4	3242	LKDGV112E1	LKDGV112F1
2"	50	*10	122	266,6	179	31	204,6	4362	LKDGV200E1	LKDGV200F1

* PN16 a richiesta

DIMENSIONI

TKD/CE DN 10÷50 PVC-U



LKDG/CE 24 V AC/DC

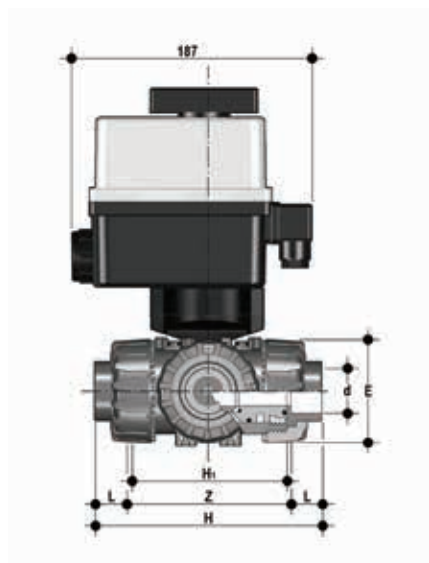
Valvola a sfera a 3 vie DUAL BLOCK® con attacchi femmina, filettatura JIS con attuatore elettrico 24 V AC/DC. Sfera a "L"

R	DN	PN	E	H	H ₁	L	Z	g	Codice EPDM	Codice FKM
1/2"	15	16	54	118	80	16	86	1843	LKDGVEL012E1	LKDGVEL012F1
3/4"	20	16	65	144,8	100	19	106,8	2076	LKDGVEL034E1	LKDGVEL034F1
1"	25	16	73	160	110	22	116	2299	LKDGVEL100E1	LKDGVEL100F1
1" 1/4	32	16	86	188,6	131	25	138,6	2880	LKDGVEL114E1	LKDGVEL114F1
1" 1/2	40	16	98	219,4	148	26	167,4	3242	LKDGVEL112E1	LKDGVEL112F1
2"	50	*10	122	266,6	179	31	204,6	4362	LKDGVEL200E1	LKDGVEL200F1

* PN16 a richiesta

DIMENSIONI

TKD/CE DN 10÷50 PVC-C

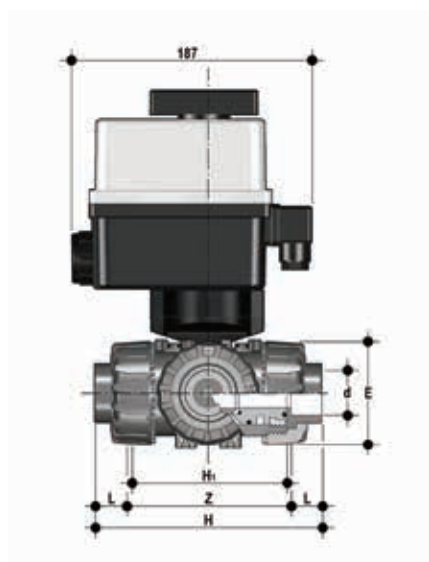


TKDIC/CE 90-240 V AC

Valvola a sfera a 3 vie DUAL BLOCK® con attacchi femmina per incollaggio, serie metrica con attuatore elettrico multivolt 90-240 V AC 50-60 Hz sfera a "T", configurazione 1

d	DN	PN	E	H	H ₁	L	Z	g	Codice EPDM	Codice FKM
16	10	16	54	118	80	14	90	1872	TKDICEM016E1	TKDICEM016F1
20	15	16	54	118	80	16	86	1872	TKDICEM020E1	TKDICEM020F1
25	20	16	65	145	100	19	107	2126	TKDICEM025E1	TKDICEM025F1
32	25	16	73	160	110	22	116	2372	TKDICEM032E1	TKDICEM032F1
40	32	16	86	188,5	131	26	136,5	2992	TKDICEM040E1	TKDICEM040F1
50	40	16	98	219	148	31	157	3392	TKDICEM050E1	TKDICEM050F1
63	50	*10	122	266,5	179	38	190,5	4622	TKDICEM063E1	TKDICEM063F1

* PN16 a richiesta



TKDIC/CE 24 V AC/DC

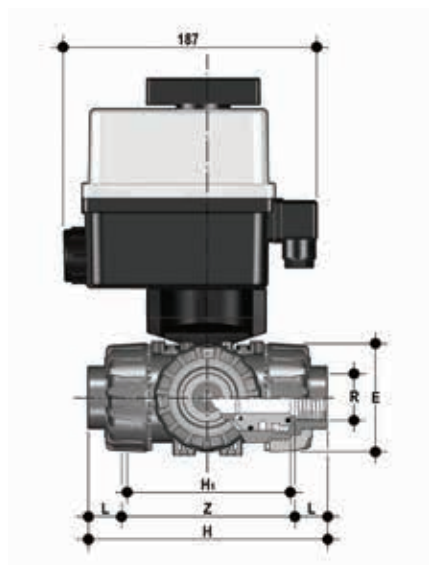
Valvola a sfera a 3 vie DUAL BLOCK® con attacchi femmina per incollaggio, serie metrica con attuatore elettrico 24 V AC/DC sfera a "T", configurazione 1

d	DN	PN	E	H	H ₁	L	Z	g	Codice EPDM	Codice FKM
16	10	16	54	118	80	14	90	1872	TKDICELO16E1	TKDICELO16F1
20	15	16	54	118	80	16	86	1872	TKDICELO20E1	TKDICELO20F1
25	20	16	65	145	100	19	107	2126	TKDICELO25E1	TKDICELO25F1
32	25	16	73	160	110	22	116	2372	TKDICELO32E1	TKDICELO32F1
40	32	16	86	188,5	131	26	136,5	2992	TKDICELO40E1	TKDICELO40F1
50	40	16	98	219	148	31	157	3392	TKDICELO50E1	TKDICELO50F1
63	50	*10	122	266,5	179	38	190,5	4622	TKDICELO63E1	TKDICELO63F1

* PN16 a richiesta

DIMENSIONI

TKD/CE DN 10÷50 PVC-C

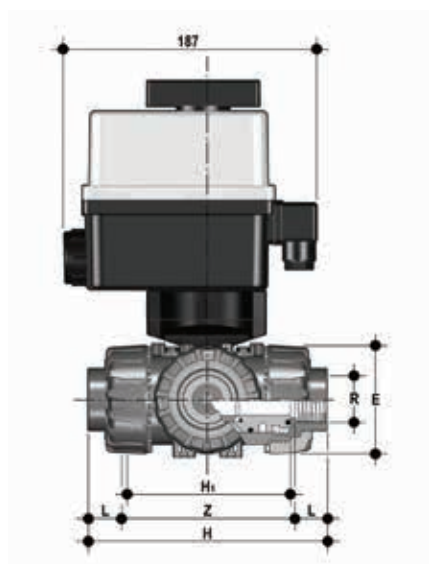


TKDNC/CE 90-240 V AC

Valvola a sfera a 3 vie DUAL BLOCK® con attacchi femmina, filettatura NPT con attuatore elettrico multivolt 90-240 V AC 50-60 Hz. Sfera a "T", configurazione 1

d	DN	PN	E	H	H ₁	L	Z	g	Codice EPDM	Codice FKM
3/8"	10	16	54	118	80	13,7	90,6	1872	TKDNCCEM038E1	TKDNCCEM038F1
1/2"	15	16	54	125	80	18	90,4	1872	TKDNCCEM012E1	TKDNCCEM012F1
3/4"	20	16	65	146,4	100	18	110,4	2126	TKDNCCEM034E1	TKDNCCEM034F1
1"	25	16	73	166,6	110	22,6	121,4	2372	TKDNCCEM100E1	TKDNCCEM100F1
1" 1/4	32	16	86	195,8	131	25,1	145,6	2992	TKDNCCEM114E1	TKDNCCEM114F1
1" 1/2	40	16	98	211,4	148	24,7	162	3392	TKDNCCEM112E1	TKDNCCEM112F1
2"	50	*10	122	253,8	179	29,6	194,6	4622	TKDNCCEM200E1	TKDNCCEM200F1

* PN16 a richiesta



TKDNC/CE 24 V AC/DC

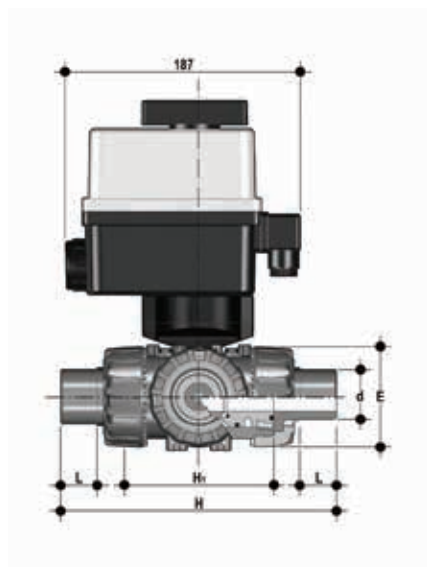
Valvola a sfera a 3 vie DUAL BLOCK® con attacchi femmina, filettatura NPT con attuatore elettrico 24 V AC/DC. Sfera a "T", configurazione 1

R	DN	PN	E	H	H ₁	L	Z	g	Codice EPDM	Codice FKM
3/8"	10	16	54	118	80	13,7	90,6	1872	TKDNCCEL038E1	TKDNCCEL038F1
1/2"	15	16	54	125	80	18	90,4	1872	TKDNCCEL012E1	TKDNCCEL012F1
3/4"	20	16	65	146,4	100	18	110,4	2126	TKDNCCEL034E1	TKDNCCEL034F1
1"	25	16	73	166,6	110	22,6	121,4	2372	TKDNCCEL100E1	TKDNCCEL100F1
1" 1/4	32	16	86	195,8	131	25,1	145,6	2992	TKDNCCEL114E1	TKDNCCEL114F1
1" 1/2	40	16	98	211,4	148	24,7	162	3392	TKDNCCEL112E1	TKDNCCEL112F1
2"	50	*10	122	253,8	179	29,6	194,6	4622	TKDNCCEL200E1	TKDNCCEL200F1

* PN16 a richiesta

DIMENSIONI

TKD/CE DN 10÷50 PVC-C

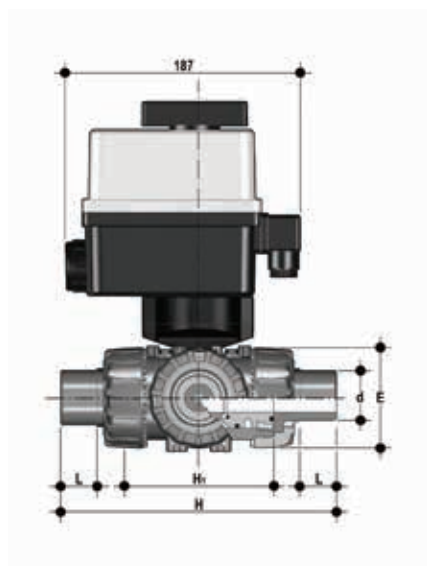


TKDDC/CE 90-240 V AC

Valvola a sfera a 3 vie DUAL BLOCK® con attacchi maschio metrici con attuatore elettrico multivolt 90-240 V AC 50-60 Hz. Sfera a "T", configurazione 1

d	DN	PN	E	H	H ₁	L	g	Codice EPDM	Codice FKM
20	15	16	54	140	80	16	1872	TKDDCEM020E1	TKDDCEM020F1
25	20	16	65	175	100	19	2126	TKDDCEM025E1	TKDDCEM025F1
32	25	16	73	188	110	22	2372	TKDDCEM032E1	TKDDCEM032F1
40	32	16	86	220	131	26	2992	TKDDCEM040E1	TKDDCEM040F1
50	40	16	98	251	148	31	3392	TKDDCEM050E1	TKDDCEM050F1
63	50	*10	122	294	179	38	4622	TKDDCEM063E1	TKDDCEM063F1

* PN16 a richiesta



TKDDC/CE 24 V AC/DC

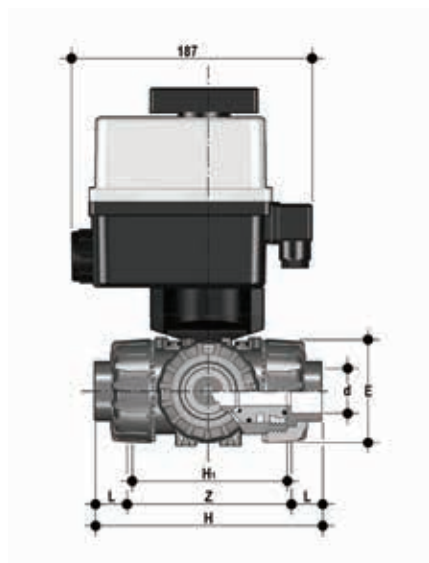
Valvola a sfera a 3 vie DUAL BLOCK® con attacchi maschio metrici con attuatore elettrico 24 V AC/DC. Sfera a "T", configurazione 1

d	DN	PN	E	H	H ₁	L	g	Codice EPDM	Codice FKM
20	15	16	54	140	80	16	1872	TKDDCEL020E1	TKDDCEL020F1
25	20	16	65	175	100	19	2126	TKDDCEL025E1	TKDDCEL025F1
32	25	16	73	188	110	22	2372	TKDDCEL032E1	TKDDCEL032F1
40	32	16	86	220	131	26	2992	TKDDCEL040E1	TKDDCEL040F1
50	40	16	98	251	148	31	3392	TKDDCEL050E1	TKDDCEL050F1
63	50	*10	122	294	179	38	4622	TKDDCEL063E1	TKDDCEL063F1

* PN16 a richiesta

DIMENSIONI

TKD/CE DN 10÷50 PVC-C

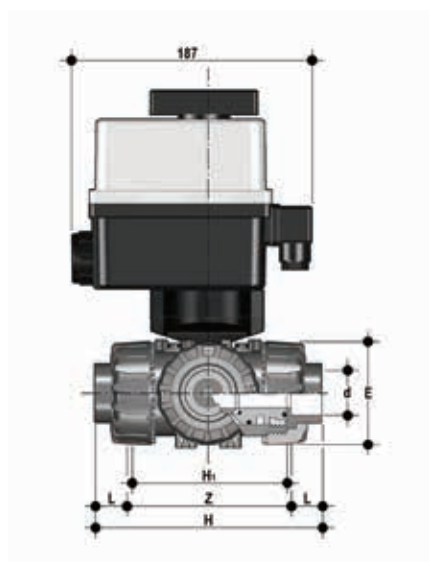


TKDAC/CE 90-240 V AC

Valvola a sfera a 3 vie DUAL BLOCK® con attacchi femmina per incollaggio, serie ASTM con attuatore elettrico multivolt 90-240 V AC 50-60 Hz. Sfera a "T", configurazione 1

d	DN	PN	E	H	H ₁	L	Z	g	Codice EPDM	Codice FKM
3/8"	10	16	54	132,2	80	19,5	93,2	1872	TKDACEM038E1	TKDACEM038F1
1/2"	15	16	54	132,2	80	23	87,2	1872	TKDACEM012E1	TKDACEM012F1
3/4"	20	16	65	159,2	100	25,5	108,2	2126	TKDACEM034E1	TKDACEM034F1
1"	25	16	73	174	110	28,7	116,6	2372	TKDACEM100E1	TKDACEM100F1
1" 1/4	32	16	86	205	131	32	141	2992	TKDACEM114E1	TKDACEM114F1
1" 1/2	40	16	98	227,6	148	35	157,6	3392	TKDACEM112E1	TKDACEM112F1
2"	50	*10	122	267	179	38,2	190,6	4622	TKDACEM200E1	TKDACEM200F1

* PN16 a richiesta



TKDAC/CE 24 V AC/DC

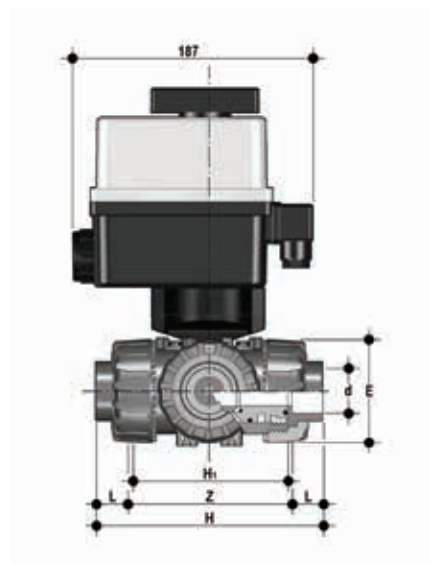
Valvola a sfera a 3 vie DUAL BLOCK® con attacchi femmina per incollaggio, serie ASTM con attuatore elettrico 24 V AC/DC. Sfera a "T", configurazione 1

d	DN	PN	E	H	H ₁	L	Z	g	Codice EPDM	Codice FKM
3/8"	10	16	54	132,2	80	19,5	93,2	1872	TKDACELO38E1	TKDACELO38F1
1/2"	15	16	54	132,2	80	23	87,2	1872	TKDACELO12E1	TKDACELO12F1
3/4"	20	16	65	159,2	100	25,5	108,2	2126	TKDACELO34E1	TKDACELO34F1
1"	25	16	73	174	110	28,7	116,6	2372	TKDACELO100E1	TKDACELO100F1
1" 1/4	32	16	86	205	131	32	141	2992	TKDACELO114E1	TKDACELO114F1
1" 1/2	40	16	98	227,6	148	35	157,6	3392	TKDACELO112E1	TKDACELO112F1
2"	50	*10	122	267	179	38,2	190,6	4622	TKDACELO200E1	TKDACELO200F1

* PN16 a richiesta

DIMENSIONI

TKD/CE DN 10÷50 PVC-C

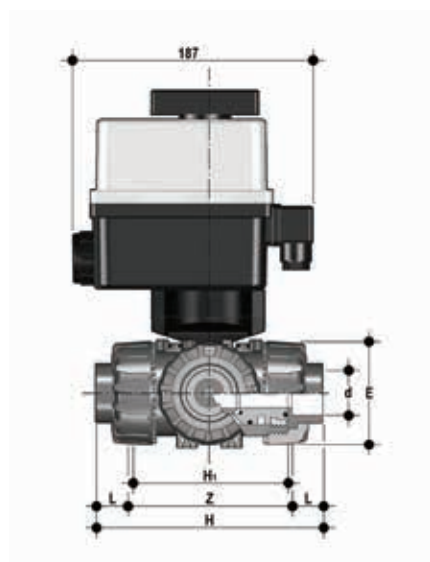


LKDIC/CE 90-240 V AC

Valvola a sfera a 3 vie DUAL BLOCK® con attacchi femmina per incollaggio, serie metrica con attuatore elettrico multivolt 90-240 V AC 50-60 Hz sfera a "L"

d	DN	PN	E	H	H ₁	L	Z	g	Codice EPDM	Codice FKM
16	10	16	54	118	80	14	90	1872	LKDICEM016E1	LKDICEM016F1
20	15	16	54	118	80	16	86	1872	LKDICEM020E1	LKDICEM020F1
25	20	16	65	145	100	19	107	2126	LKDICEM025E1	LKDICEM025F1
32	25	16	73	160	110	22	116	2372	LKDICEM032E1	LKDICEM032F1
40	32	16	86	188,5	131	26	136,5	2992	LKDICEM040E1	LKDICEM040F1
50	40	16	98	219	148	31	157	3392	LKDICEM050E1	LKDICEM050F1
63	50	*10	122	266,5	179	38	190,5	4622	LKDICEM063E1	LKDICEM063F1

* PN16 a richiesta



LKDIC/CE 24 V AC/DC

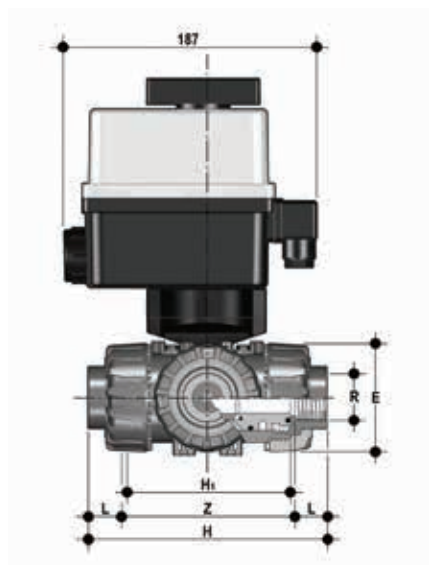
Valvola a sfera a 3 vie DUAL BLOCK® con attacchi femmina per incollaggio, serie metrica con attuatore elettrico 24 V AC/DC sfera a "L"

d	DN	PN	E	H	H ₁	L	Z	g	Codice EPDM	Codice FKM
16	10	16	54	118	80	14	90	1872	LKDICEL016E1	LKDICEL016F1
20	15	16	54	118	80	16	86	1872	LKDICEL020E1	LKDICEL020F1
25	20	16	65	145	100	19	107	2126	LKDICEL025E1	LKDICEL025F1
32	25	16	73	160	110	22	116	2372	LKDICEL032E1	LKDICEL032F1
40	32	16	86	188,5	131	26	136,5	2992	LKDICEL040E1	LKDICEL040F1
50	40	16	98	219	148	31	157	3392	LKDICEL050E1	LKDICEL050F1
63	50	*10	122	266,5	179	38	190,5	4622	LKDICEL063E1	LKDICEL063F1

* PN16 a richiesta

DIMENSIONI

TKD/CE DN 10÷50 PVC-C

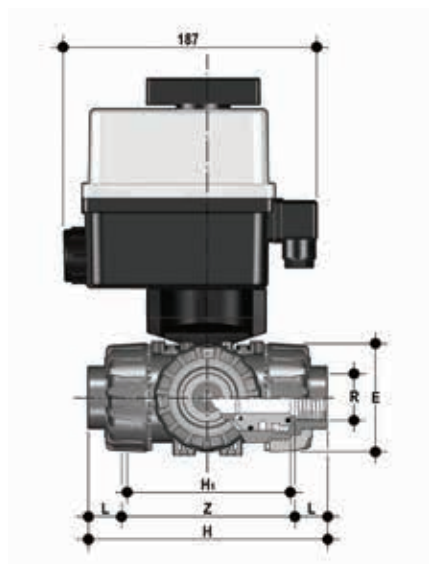


LKDNC/CE 90-240 V AC

Valvola a sfera a 3 vie DUAL BLOCK® con attacchi femmina, filettatura NPT con attuatore elettrico multivolt 90-240 V AC 50-60 Hz. Sfera a "L"

R	DN	PN	E	H	H ₁	L	Z	g	Codice EPDM	Codice FKM
3/8"	10	16	54	118	80	13,7	90,6	1872	LKDNCCEM038E1	LKDNCCEM038F1
1/2"	15	16	54	125	80	18	90,4	1872	LKDNCCEM012E1	LKDNCCEM012F1
3/4"	20	16	65	146,4	100	18	110,4	2126	LKDNCCEM034E1	LKDNCCEM034F1
1"	25	16	73	166,6	110	22,6	121,4	2372	LKDNCCEM100E1	LKDNCCEM100F1
1" 1/4	32	16	86	195,8	131	25,1	145,6	2992	LKDNCCEM114E1	LKDNCCEM114F1
1" 1/2	40	16	98	211,4	148	24,7	162	3392	LKDNCCEM112E1	LKDNCCEM112F1
2"	50	*10	122	253,8	179	29,6	194,6	4622	LKDNCCEM200E1	LKDNCCEM200F1

* PN16 a richiesta



LKDNC/CE 24 V AC/DC

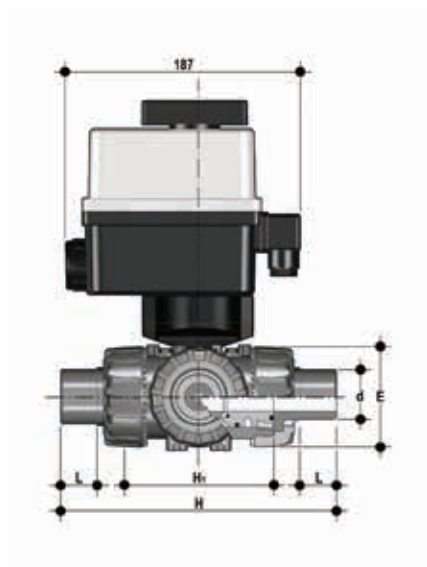
Valvola a sfera a 3 vie DUAL BLOCK® con attacchi femmina, filettatura NPT con attuatore elettrico 24 V AC/DC. Sfera a "L"

R	DN	PN	E	H	H ₁	L	Z	g	Codice EPDM	Codice FKM
3/8"	10	16	54	118	80	13,7	90,6	1872	LKDNCCEL038E1	LKDNCCEL038F1
1/2"	15	16	54	125	80	18	90,4	1872	LKDNCCEL012E1	LKDNCCEL012F1
3/4"	20	16	65	146,4	100	18	110,4	2126	LKDNCCEL034E1	LKDNCCEL034F1
1"	25	16	73	166,6	110	22,6	121,4	2372	LKDNCCEL100E1	LKDNCCEL100F1
1" 1/4	32	16	86	195,8	131	25,1	145,6	2992	LKDNCCEL114E1	LKDNCCEL114F1
1" 1/2	40	16	98	211,4	148	24,7	162	3392	LKDNCCEL112E1	LKDNCCEL112F1
2"	50	*10	122	253,8	179	29,6	194,6	4622	LKDNCCEL200E1	LKDNCCEL200F1

* PN16 a richiesta

DIMENSIONI

TKD/CE DN 10÷50 PVC-C

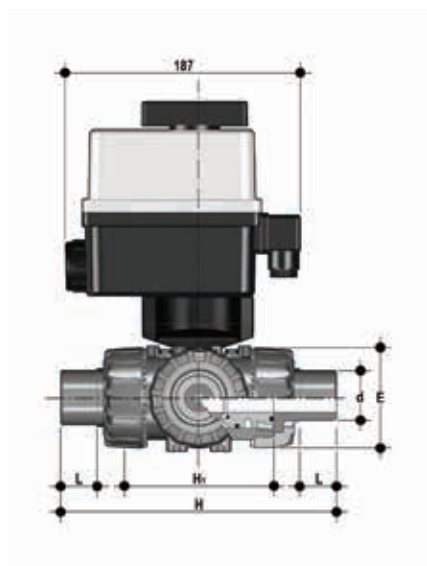


LKDDC/CE 90-240 V AC

Valvola a sfera a 3 vie DUAL BLOCK® con attacchi maschio metrici con attuatore elettrico multivolt 90-240 V AC 50-60 Hz. Sfera a "L"

d	DN	PN	E	H	H ₁	L	g	Codice EPDM	Codice FKM
20	15	16	54	140	80	16	1872	LKDDCEM020E1	LKDDCEM020F1
25	20	16	65	175	100	19	2126	LKDDCEM025E1	LKDDCEM025F1
32	25	16	73	188	110	22	2372	LKDDCEM032E1	LKDDCEM032F1
40	32	16	86	220	131	26	2992	LKDDCEM040E1	LKDDCEM040F1
50	40	16	98	251	148	31	3392	LKDDCEM050E1	LKDDCEM050F1
63	50	*10	122	294	179	38	4622	LKDDCEM063E1	LKDDCEM063F1

* PN16 a richiesta



LKDDC/CE 24 V AC/DC

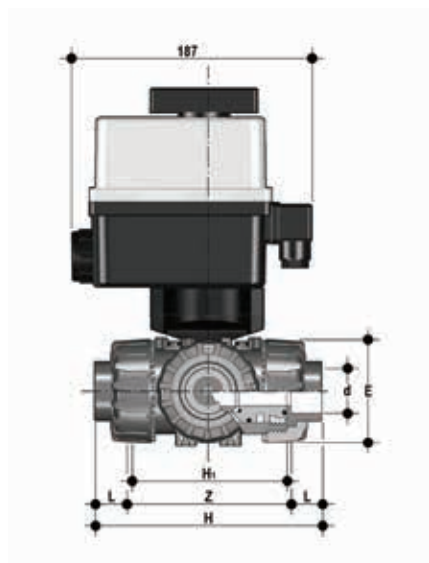
Valvola a sfera a 3 vie DUAL BLOCK® con attacchi maschio metrici con attuatore elettrico 24 V AC/DC. Sfera a "L"

d	DN	PN	E	H	H ₁	L	g	Codice EPDM	Codice FKM
20	15	16	54	140	80	16	1872	LKDDCEL020E1	LKDDCEL020F1
25	20	16	65	175	100	19	2126	LKDDCEL025E1	LKDDCEL025F1
32	25	16	73	188	110	22	2372	LKDDCEL032E1	LKDDCEL032F1
40	32	16	86	220	131	26	2992	LKDDCEL040E1	LKDDCEL040F1
50	40	16	98	251	148	31	3392	LKDDCEL050E1	LKDDCEL050F1
63	50	*10	122	294	179	38	4622	LKDDCEL063E1	LKDDCEL063F1

* PN16 a richiesta

DIMENSIONI

TKD/CE DN 10÷50 PVC-C

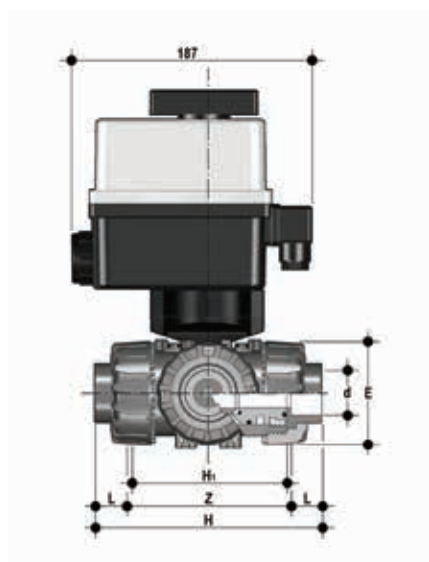


LKDAC/CE 90-240 V AC

Valvola a sfera a 3 vie DUAL BLOCK® con attacchi femmina per incollaggio, serie ASTM con attuatore elettrico multivolt 90-240 V AC 50-60 Hz. Sfera a "L"

d	DN	PN	E	H	H ₁	L	Z	g	Codice EPDM	Codice FKM
3/8"	10	16	54	132,2	80	19,5	93,2	1872	LKDACEM038E1	LKDACEM038F1
1/2"	15	16	54	132,2	80	23	87,2	1872	LKDACEM012E1	LKDACEM012F1
3/4"	20	16	65	159,2	100	25,5	108,2	2126	LKDACEM034E1	LKDACEM034F1
1"	25	16	73	174	110	28,7	116,6	2372	LKDACEM100E1	LKDACEM100F1
1" 1/4	32	16	86	205	131	32	141	2992	LKDACEM114E1	LKDACEM114F1
1" 1/2	40	16	98	227,6	148	35	157,6	3392	LKDACEM112E1	LKDACEM112F1
2"	50	*10	122	267	179	38,2	190,6	4622	LKDACEM200E1	LKDACEM200F1

* PN16 a richiesta



LKDAC/CE 24 V AC/DC

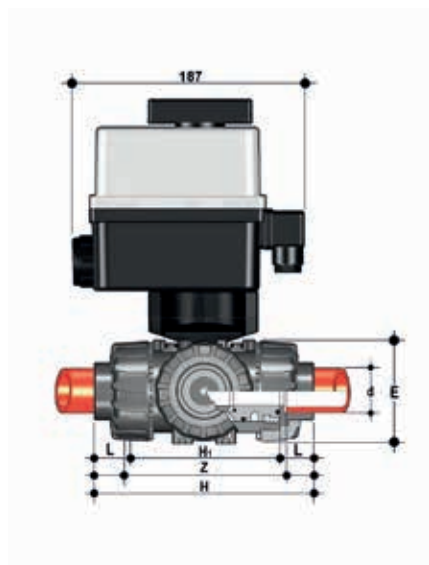
Valvola a sfera a 3 vie DUAL BLOCK® con attacchi femmina per incollaggio, serie ASTM con attuatore elettrico 24 V AC/DC. Sfera a "L"

d	DN	PN	E	H	H ₁	L	Z	g	Codice EPDM	Codice FKM
3/8"	10	16	54	132,2	80	19,5	93,2	1872	LKDACEL038E1	LKDACEL038F1
1/2"	15	16	54	132,2	80	23	87,2	1872	LKDACEL012E1	LKDACEL012F1
3/4"	20	16	65	159,2	100	25,5	108,2	2126	LKDACEL034E1	LKDACEL034F1
1"	25	16	73	174	110	28,7	116,6	2372	LKDACEL100E1	LKDACEL100F1
1" 1/4	32	16	86	205	131	32	141	2992	LKDACEL114E1	LKDACEL114F1
1" 1/2	40	16	98	227,6	148	35	157,6	3392	LKDACEL112E1	LKDACEL112F1
2"	50	*10	122	267	179	38,2	190,6	4622	LKDACEL200E1	LKDACEL200F1

* PN16 a richiesta

DIMENSIONI

TKD/CE DN 10÷50 PP-H



TKDIM/CE 90-240 V AC

Valvola a sfera a 3 vie DUAL BLOCK® con attacchi femmina per saldatura di tasca con attuatore elettrico multivolt 90-240 V AC 50-60 Hz sfera a "T", configurazione 1

d	DN	PN	E	H	H ₁	L	Z	g	Codice EPDM	Codice FKM
16	10	10	54	118	80	14	89,5	1728	TKDIMEM016E1	TKDIMEM016F1
20	15	10	54	118	80	15	88	1728	TKDIMEM020E1	TKDIMEM020F1
25	20	10	65	145	100	16,5	112	1876	TKDIMEM025E1	TKDIMEM025F1
32	25	10	73	160	110	19	122	2014	TKDIMEM032E1	TKDIMEM032F1
40	32	10	86	188,5	131	23	142,5	2425	TKDIMEM040E1	TKDIMEM040F1
50	40	10	98	219	148	23,5	172	2652	TKDIMEM050E1	TKDIMEM050F1
63	50	10	122	266,5	179	27,7	211,15	3357	TKDIMEM063E1	TKDIMEM063F1



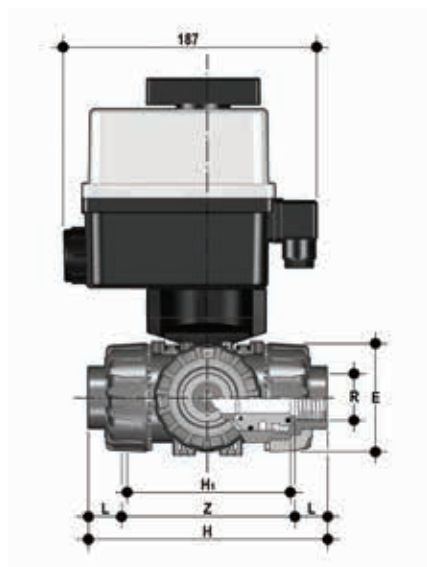
TKDIM/CE 24 V AC/DC

Valvola a sfera a 3 vie DUAL BLOCK® con attacchi femmina per saldatura di tasca con attuatore elettrico 24 V AC/DC sfera a "T", configurazione 1

d	DN	PN	E	H	H ₁	L	Z	g	Codice EPDM	Codice FKM
16	10	10	54	118	80	14	89,5	1728	TKDIMEL016E1	TKDIMEL016F1
20	15	10	54	118	80	15	88	1728	TKDIMEL020E1	TKDIMEL020F1
25	20	10	65	145	100	16,5	112	1876	TKDIMEL025E1	TKDIMEL025F1
32	25	10	73	160	110	19	122	2014	TKDIMEL032E1	TKDIMEL032F1
40	32	10	86	188,5	131	23	142,5	2425	TKDIMEL040E1	TKDIMEL040F1
50	40	10	98	219	148	23,5	172	2652	TKDIMEL050E1	TKDIMEL050F1
63	50	10	122	266,5	179	27,7	211,15	3357	TKDIMEL063E1	TKDIMEL063F1

DIMENSIONI

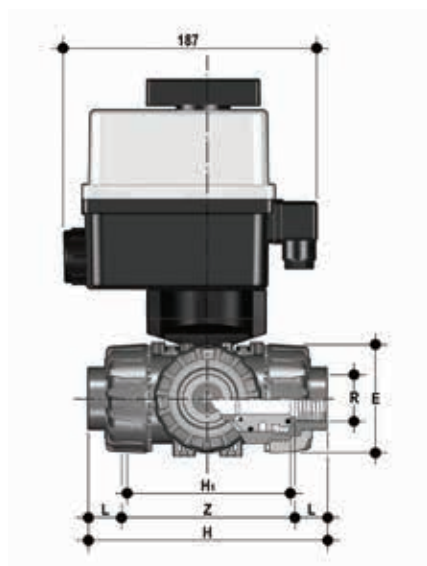
TKD/CE DN 10÷50 PP-H



TKDFM/CE 90-240 V AC

Valvola a 3 vie DUAL BLOCK® con attacchi femmina filettatura cilindrica gas con attuatore elettrico multivolt 90-240 V AC 50-60 Hz sfera a "T", configurazione 1

R	DN	PN	E	H	H ₁	L	Z	g	Codice EPDM	Codice FKM
1/2"	15	10	54	125	80	15	95	1728	TKDFMEM012E1	TKDFMEM012F1
3/4"	20	10	65	146	100	16,3	114	1876	TKDFMEM034E1	TKDFMEM034F1
1"	25	10	73	166	110	19,1	129	2014	TKDFMEM100E1	TKDFMEM100F1
1" 1/4	32	10	86	195,5	131	21,4	151	2425	TKDFMEM114E1	TKDFMEM114F1
1" 1/2	40	10	98	211	148	21,4	166	2652	TKDFMEM112E1	TKDFMEM112F1
2"	50	10	122	253,5	179	25,7	199	3357	TKDFMEM200E1	TKDFMEM200F1



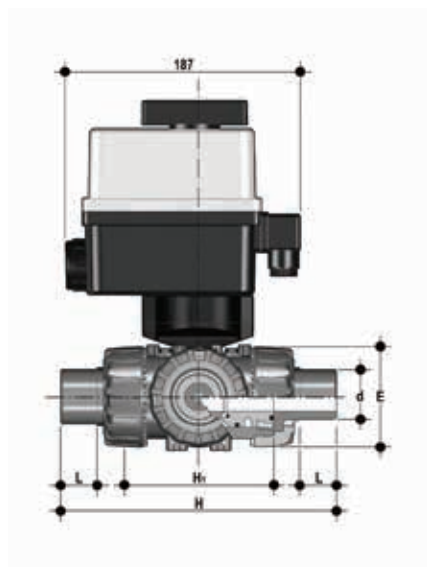
TKDFM/CE 24 V AC/DC

Valvola a 3 vie DUAL BLOCK® con attacchi femmina filettatura cilindrica gas con attuatore elettrico 24 V AC/DC sfera a "T", configurazione 1

R	DN	PN	E	H	H ₁	L	Z	g	Codice EPDM	Codice FKM
1/2"	15	10	54	125	80	15	95	1728	TKDFMEL012E1	TKDFMEL012F1
3/4"	20	10	65	146	100	16,3	114	1876	TKDFMEL034E1	TKDFMEL034F1
1"	25	10	73	166	110	19,1	129	2014	TKDFMEL100E1	TKDFMEL100F1
1" 1/4	32	10	86	195,5	131	21,4	151	2425	TKDFMEL114E1	TKDFMEL114F1
1" 1/2	40	10	98	211	148	21,4	166	2652	TKDFMEL112E1	TKDFMEL112F1
2"	50	10	122	253,5	179	25,7	199	3357	TKDFMEL200E1	TKDFMEL200F1

DIMENSIONI

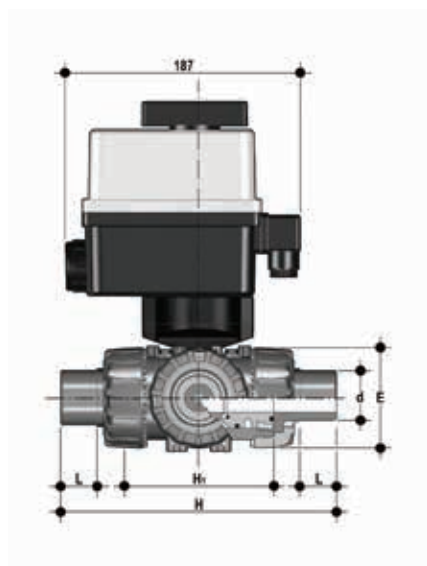
TKD/CE DN 10÷50 PP-H



TKDDM/CE 90-240 V AC

Valvola a sfera a 3 vie DUAL BLOCK® con attacchi maschio per saldatura di tasca con attuatore elettrico multivolt 90-240 V AC 50-60 Hz. Sfera a "T", configurazione 1

d	DN	PN	E	H	H ₁	L	g	Codice EPDM	Codice FKM
20	15	10	54	140	80	16	1728	TKDDMEM020E1	TKDDMEM020F1
25	20	10	65	175	100	18	1876	TKDDMEM025E1	TKDDMEM025F1
32	25	10	73	188	110	20	2014	TKDDMEM032E1	TKDDMEM032F1
40	32	10	86	220	131	22	2425	TKDDMEM040E1	TKDDMEM040F1
50	40	10	98	251	148	25	2652	TKDDMEM050E1	TKDDMEM050F1
63	50	10	122	294	179	29	3357	TKDDMEM063E1	TKDDMEM063F1



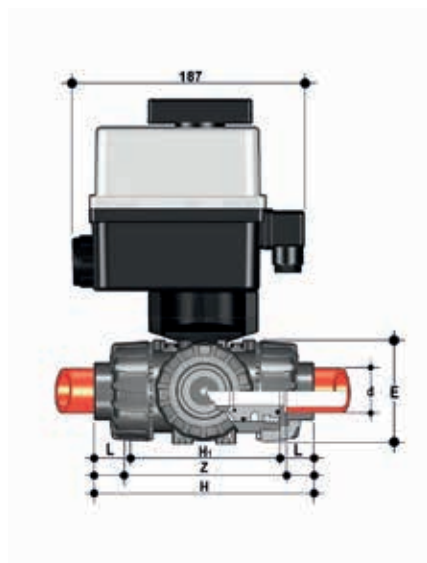
TKDDM/CE 24 V AC/DC

Valvola a sfera a 3 vie DUAL BLOCK® con attacchi maschio per saldatura di tasca con attuatore elettrico 24 V AC/DC. Sfera a "T", configurazione 1

d	DN	PN	E	H	H ₁	L	g	Codice EPDM	Codice FKM
20	15	10	54	140	80	16	1728	TKDDMEL020E1	TKDDMEL020F1
25	20	10	65	175	100	18	1876	TKDDMEL025E1	TKDDMEL025F1
32	25	10	73	188	110	20	2014	TKDDMEL032E1	TKDDMEL032F1
40	32	10	86	220	131	22	2425	TKDDMEL040E1	TKDDMEL040F1
50	40	10	98	251	148	25	2652	TKDDMEL050E1	TKDDMEL050F1
63	50	10	122	294	179	29	3357	TKDDMEL063E1	TKDDMEL063F1

DIMENSIONI

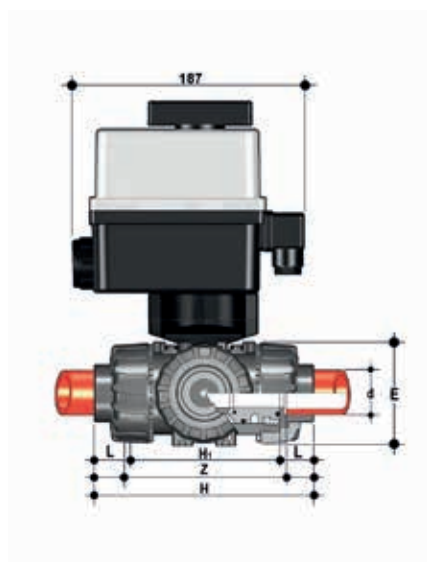
TKD/CE DN 10÷50 PP-H



LKDIM/CE 90-240 V AC

Valvola a sfera a 3 vie DUAL BLOCK® con attacchi femmina per saldatura di tasca con attuatore elettrico multivolt 90-240 V AC 50-60 Hz sfera a "L"

d	DN	PN	E	H	H ₁	L	Z	g	Codice EPDM	Codice FKM
16	10	10	54	118	80	14	89,5	1728	LKDIMEM016E1	LKDIMEM016F1
20	15	10	54	118	80	15	88	1728	LKDIMEM020E1	LKDIMEM020F1
25	20	10	65	145	100	16,5	112	1876	LKDIMEM025E1	LKDIMEM025F1
32	25	10	73	160	110	19	122	2014	LKDIMEM032E1	LKDIMEM032F1
40	32	10	86	188,5	131	23	142,5	2425	LKDIMEM040E1	LKDIMEM040F1
50	40	10	98	219	148	23,5	172	2652	LKDIMEM050E1	LKDIMEM050F1
63	50	10	122	266,5	179	27,7	211,15	3357	LKDIMEM063E1	LKDIMEM063F1



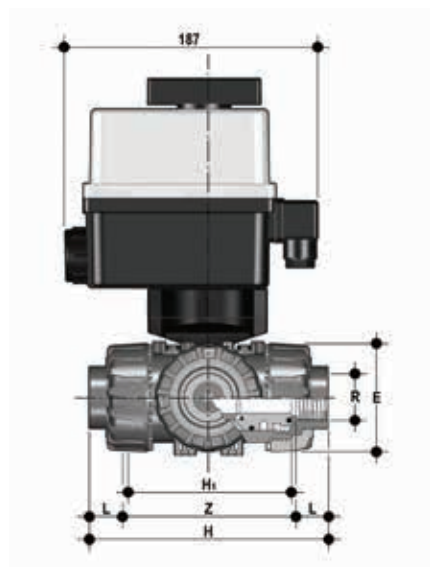
LKDIM/CE 24 V AC/DC

Valvola a sfera a 3 vie DUAL BLOCK® con attacchi femmina per saldatura di tasca con attuatore elettrico 24 V AC/DC sfera a "L"

d	DN	PN	E	H	H ₁	L	Z	g	Codice EPDM	Codice FKM
16	10	10	54	118	80	14	89,5	1728	LKDIMEL016E1	LKDIMEL016F1
20	15	10	54	118	80	15	88	1728	LKDIMEL020E1	LKDIMEL020F1
25	20	10	65	145	100	16,5	112	1876	LKDIMEL025E1	LKDIMEL025F1
32	25	10	73	160	110	19	122	2014	LKDIMEL032E1	LKDIMEL032F1
40	32	10	86	188,5	131	23	142,5	2425	LKDIMEL040E1	LKDIMEL040F1
50	40	10	98	219	148	23,5	172	2652	LKDIMEL050E1	LKDIMEL050F1
63	50	10	122	266,5	179	27,7	211,15	3357	LKDIMEL063E1	LKDIMEL063F1

DIMENSIONI

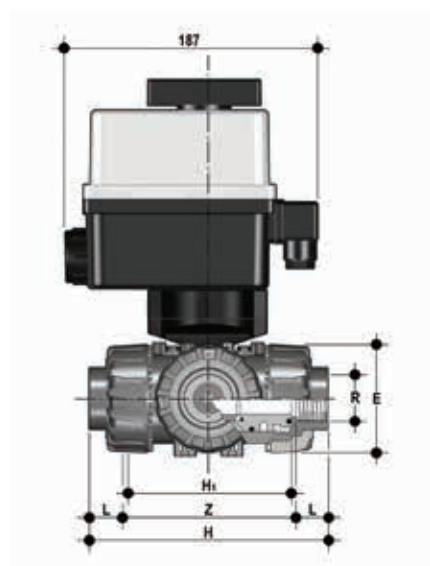
TKD/CE DN 10÷50 PP-H



LKDFM/CE 90-240 V AC

Valvola a 3 vie DUAL BLOCK® con attacchi femmina filettatura cilindrica gas con attuatore elettrico multivolt 90-240 V AC 50-60 Hz sfera a "L"

R	DN	PN	E	H	H ₁	L	Z	g	Codice EPDM	Codice FKM
1/2"	15	10	54	125	80	15	95	1728	LKDFMEM012E1	LKDFMEM012F1
3/4"	20	10	65	146	100	16,3	114	1876	LKDFMEM034E1	LKDFMEM034F1
1"	25	10	73	166	110	19,1	129	2014	LKDFMEM100E1	LKDFMEM100F1
1" 1/4	32	10	86	195,5	131	21,4	151	2425	LKDFMEM114E1	LKDFMEM114F1
1" 1/2	40	10	98	211	148	21,4	166	2652	LKDFMEM112E1	LKDFMEM112F1
2"	50	10	122	253,5	179	25,7	199	3357	LKDFMEM200E1	LKDFMEM200F1



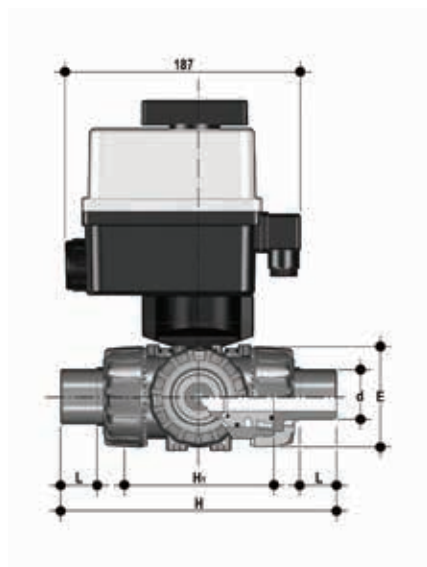
LKDFM/CE 24 V AC/DC

Valvola a 3 vie DUAL BLOCK® con attacchi femmina filettatura cilindrica gas con attuatore elettrico 24 V AC/DC sfera a "L"

R	DN	PN	E	H	H ₁	L	Z	g	Codice EPDM	Codice FKM
1/2"	15	10	54	125	80	15	95	1728	LKDFMEL012E1	LKDFMEL012F1
3/4"	20	10	65	146	100	16,3	114	1876	LKDFMEL034E1	LKDFMEL034F1
1"	25	10	73	166	110	19,1	129	2014	LKDFMEL100E1	LKDFMEL100F1
1" 1/4	32	10	86	195,5	131	21,4	151	2425	LKDFMEL114E1	LKDFMEL114F1
1" 1/2	40	10	98	211	148	21,4	166	2652	LKDFMEL112E1	LKDFMEL112F1
2"	50	10	122	253,5	179	25,7	199	3357	LKDFMEL200E1	LKDFMEL200F1

DIMENSIONI

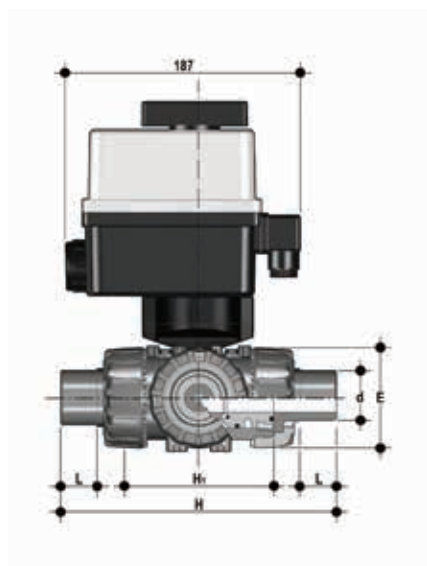
TKD/CE DN 10÷50 PP-H



LKDDM/CE 90-240 V AC

Valvola a sfera a 3 vie DUAL BLOCK® con attacchi maschio per saldatura di tasca con attuatore elettrico multivolt 90-240 V AC 50-60 Hz. Sfera a "L"

d	DN	PN	E	H	H ₁	L	g	Codice EPDM	Codice FKM
20	15	10	54	140	80	16	1728	LKDDMEM020E1	LKDDMEM020F1
25	20	10	65	175	100	18	1876	LKDDMEM025E1	LKDDMEM025F1
32	25	10	73	188	110	20	2014	LKDDMEM032E1	LKDDMEM032F1
40	32	10	86	220	131	22	2425	LKDDMEM040E1	LKDDMEM040F1
50	40	10	98	251	148	25	2652	LKDDMEM050E1	LKDDMEM050F1
63	50	10	122	294	179	29	3357	LKDDMEM063E1	LKDDMEM063F1



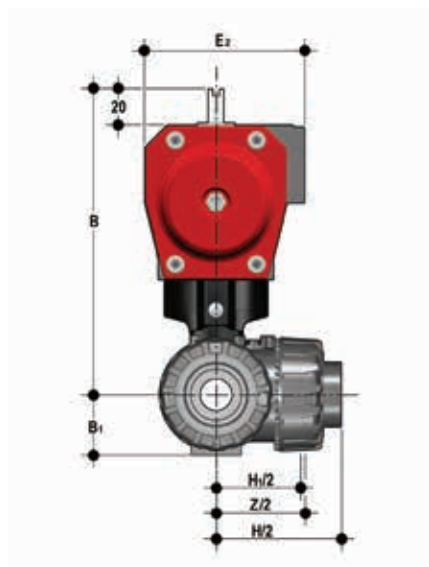
LKDDM/CE 24 V AC/DC

Valvola a sfera a 3 vie DUAL BLOCK® con attacchi maschio per saldatura di tasca con attuatore elettrico 24 V AC/DC. Sfera a "L"

d	DN	PN	E	H	H ₁	L	g	Codice EPDM	Codice FKM
20	15	10	54	140	80	16	1728	LKDDMEL020E1	LKDDMEL020F1
25	20	10	65	175	100	18	1876	LKDDMEL025E1	LKDDMEL025F1
32	25	10	73	188	110	20	2014	LKDDMEL032E1	LKDDMEL032F1
40	32	10	86	220	131	22	2425	LKDDMEL040E1	LKDDMEL040F1
50	40	10	98	251	148	25	2652	LKDDMEL050E1	LKDDMEL050F1
63	50	10	122	294	179	29	3357	LKDDMEL063E1	LKDDMEL063F1

DIMENSIONI

TKD/CP DN 10÷50 PVC-U



Dimensioni comuni per tutte le versioni doppia azione

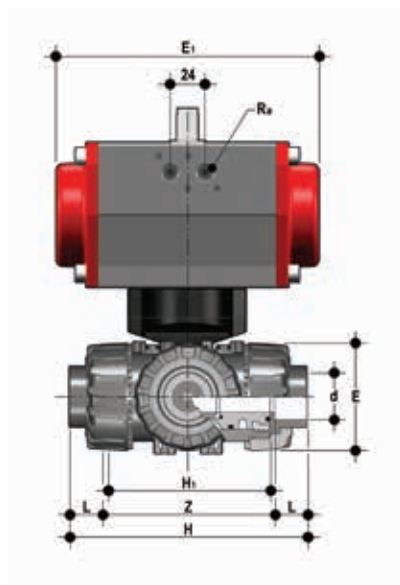
DN	B	B ₁	E ₂
10	145	29	75
15	145	29	86
20	156,5	34,5	86
25	161	39	86
32	194	46	86
40	200	52	86
50	200	62	86

Dimensioni comuni per tutte le versioni singola azione

DN	B	B ₁	E ₂
10	145	29	75
15	145	29	86
20	156,5	34,5	86
25	161	39	86
32	194	46	86
40	200	52	86
50	217	62	94

DIMENSIONI

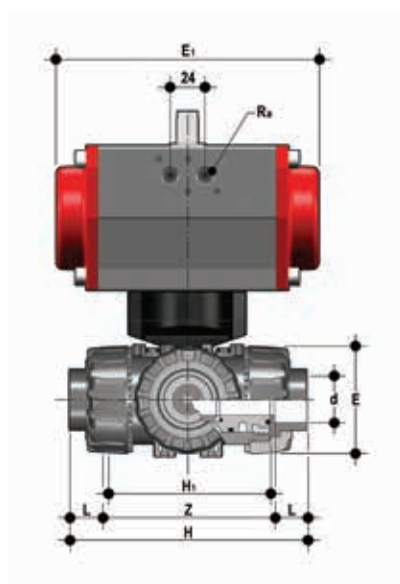
TKD/CP DN 10÷50 PVC-U



TKDIV/CP DA

Valvola a 3 vie DUAL BLOCK® con attacchi femmina metrici con attuatore pneumatico, funzione Doppio Effetto sfera a "T", configurazione 1

d	DN	PN	E	H	H ₁	L	Z	R _g	E ₁	g	Codice EPDM	Codice FKM
16	10	16	54	118	80	14	90	G1/8"	138	1413	TKDIVDA016E1	TKDIVDA016F1
20	15	16	54	118	80	16	86	G1/8"	138	1943	TKDIVDA020E1	TKDIVDA020F1
25	20	16	65	145	100	19	107	G1/4"	155,5	2186	TKDIVDA025E1	TKDIVDA025F1
32	25	16	73	160	110	22	116	G1/4"	155,5	2409	TKDIVDA032E1	TKDIVDA032F1
40	32	16	86	188,5	131	26	136,5	G1/4"	155,5	2913	TKDIVDA040E1	TKDIVDA040F1
50	40	16	98	219	148	31	157	G1/4"	155,5	3260	TKDIVDA050E1	TKDIVDA050F1
63	50	16	122	266,5	179	38	190,5	G1/4"	155,5	5684	TKDIVDA063E1	TKDIVDA063F1



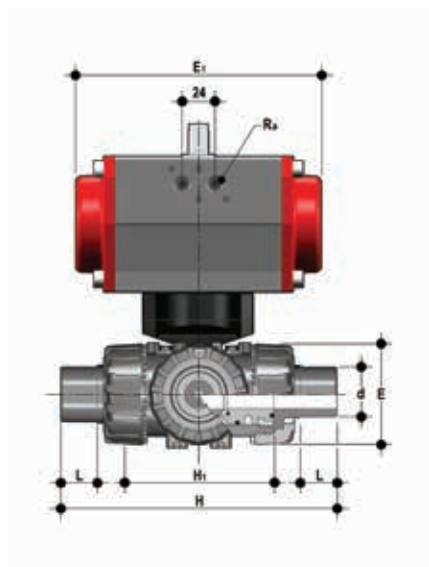
TKDIV/CP SA

Valvola a 3 vie DUAL BLOCK® con attacchi femmina metrici con attuatore pneumatico, funzione Semplice Effetto sfera a "T", configurazione 1

d	DN	PN	E	H	H ₁	L	Z	R _g	E ₁	g	Codice EPDM	Codice FKM
16	10	16	54	118	80	14	90	G1/8"	138	1543	TKDIVSA016E1	TKDIVSA016F1
20	15	16	54	118	80	16	86	G1/8"	138	2143	TKDIVSA020E1	TKDIVSA020F1
25	20	16	65	145	100	19	107	G1/4"	155,5	2386	TKDIVSA025E1	TKDIVSA025F1
32	25	16	73	160	110	22	116	G1/4"	155,5	2659	TKDIVSA032E1	TKDIVSA032F1
40	32	16	86	188,5	131	26	136,5	G1/4"	155,5	3113	TKDIVSA040E1	TKDIVSA040F1
50	40	16	98	219	148	31	157	G1/4"	155,5	3460	TKDIVSA050E1	TKDIVSA050F1
63	50	16	122	266,5	179	38	190,5	G1/4"	210	6154	TKDIVSA063E1	TKDIVSA063F1

DIMENSIONI

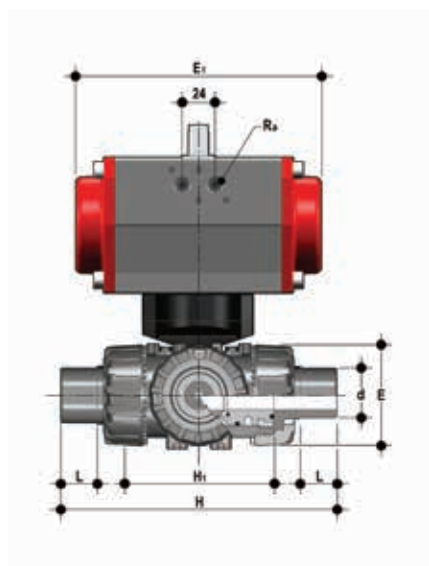
TKD/CP DN 10÷50 PVC-U



TKDDV/CP DA

Valvola a sfera a 3 vie DUAL BLOCK® con attacchi maschio metrici con attuatore pneumatico, funzione Doppio Effetto. Sfera a "T", configurazione 1

d	DN	PN	E	H	H ₁	L	R ₀	E ₁	g	Codice EPDM	Codice FKM
20	15	16	54	140	80	16	G1/8"	138	1943	TKDDVDA020E1	TKDDVDA020F1
25	20	16	65	175	100	19	G1/8"	155,5	2186	TKDDVDA025E1	TKDDVDA025F1
32	25	16	73	188	110	22	G1/8"	155,5	2409	TKDDVDA032E1	TKDDVDA032F1
40	32	16	86	220	131	26	G1/4"	155,5	2913	TKDDVDA040E1	TKDDVDA040F1
50	40	16	98	251	148	31	G1/4"	155,5	3260	TKDDVDA050E1	TKDDVDA050F1
63	50	16	122	294	179	38	G1/4"	155,5	5684	TKDDVDA063E1	TKDDVDA063F1



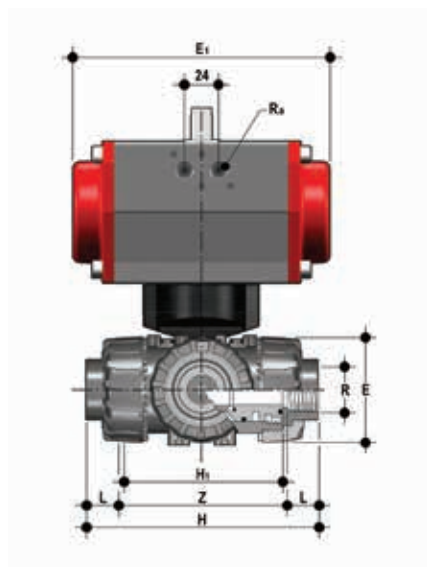
TKDDV/CP SA

Valvola a sfera a 3 vie DUAL BLOCK® con attacchi maschio metrici con attuatore pneumatico, funzione Semplice Effetto. Sfera a "T", configurazione 1

d	DN	PN	E	H	H ₁	L	R ₀	E ₁	g	Codice EPDM	Codice FKM
20	15	16	54	140	80	16	G1/8"	138	2143	TKDDVSA020E1	TKDDVSA020F1
25	20	16	65	175	100	19	G1/8"	155,5	2386	TKDDVSA025E1	TKDDVSA025F1
32	25	16	73	188	110	22	G1/8"	155,5	2659	TKDDVSA032E1	TKDDVSA032F1
40	32	16	86	220	131	26	G1/4"	155,5	3113	TKDDVSA040E1	TKDDVSA040F1
50	40	16	98	251	148	31	G1/4"	155,5	3460	TKDDVSA050E1	TKDDVSA050F1
63	50	16	122	294	179	38	G1/4"	210	6154	TKDDVSA063E1	TKDDVSA063F1

DIMENSIONI

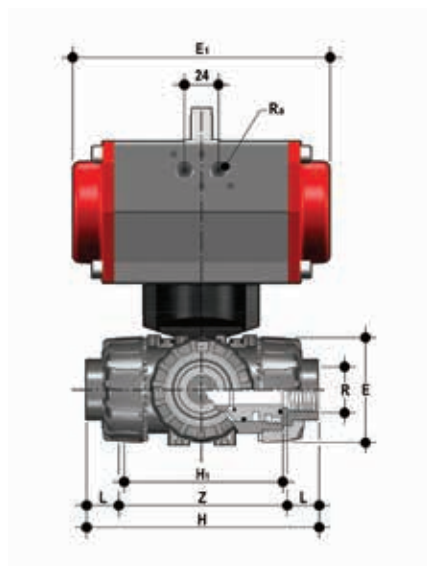
TKD/CP DN 10÷50 PVC-U



TKDFV/CP DA

Valvola a 3 vie DUAL BLOCK® con attacchi femmina filettatura cilindrica gas con attuatore pneumatico, funzione Doppio Effetto sfera a "T", configurazione 1

R	DN	PN	E	H	H ₁	L	Z	R ₀	E ₁	g	Codice EPDM	Codice FKM
3/8"	10	16	54	118	80	11,4	95	G1/8"	138	1413	TKDFVDA038E1	TKDFVDA038F1
1/2"	15	16	54	125	80	15	95	G1/8"	138	1943	TKDFVDA012E1	TKDFVDA012F1
3/4"	20	16	65	146	100	16,3	114	G1/4"	155,5	2186	TKDFVDA034E1	TKDFVDA034F1
1"	25	16	73	166	110	19,1	129	G1/4"	155,5	2409	TKDFVDA100E1	TKDFVDA100F1
1" 1/4	32	16	86	195,5	131	21,4	151	G1/4"	155,5	2913	TKDFVDA114E1	TKDFVDA114F1
1" 1/2	40	16	98	211	148	21,4	166	G1/4"	155,5	3260	TKDFVDA112E1	TKDFVDA112F1
2"	50	16	122	253,5	179	25,7	199	G1/4"	155,5	5684	TKDFVDA200E1	TKDFVDA200F1



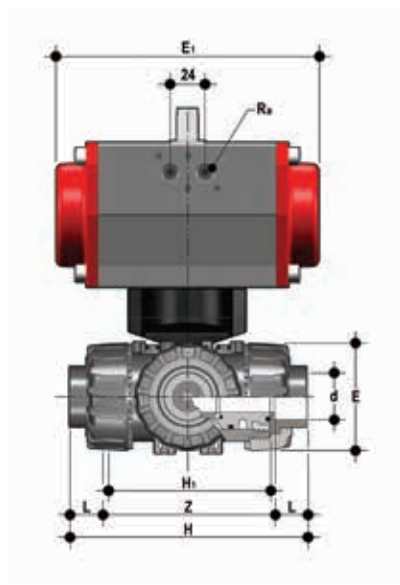
TKDFV/CP SA

Valvola a 3 vie DUAL BLOCK® con attacchi femmina filettatura cilindrica gas con attuatore pneumatico, funzione Semplice Effetto sfera a "T", configurazione 1

R	DN	PN	E	H	H ₁	L	Z	R ₀	E ₁	g	Codice EPDM	Codice FKM
3/8"	10	16	54	118	80	11,4	95	G1/8"	138	1543	TKDFVSA038E1	TKDFVSA038F1
1/2"	15	16	54	125	80	15	95	G1/8"	138	2143	TKDFVSA012E1	TKDFVSA012F1
3/4"	20	16	65	146	100	16,3	114	G1/4"	155,5	2386	TKDFVSA034E1	TKDFVSA034F1
1"	25	16	73	166	110	19,1	129	G1/4"	155,5	2659	TKDFVSA100E1	TKDFVSA100F1
1" 1/4	32	16	86	195,5	131	21,4	151	G1/4"	155,5	3113	TKDFVSA114E1	TKDFVSA114F1
1" 1/2	40	16	98	211	148	21,4	166	G1/4"	155,5	3460	TKDFVSA112E1	TKDFVSA112F1
2"	50	16	122	253,5	179	25,7	199	G1/4"	210	6154	TKDFVSA200E1	TKDFVSA200F1

DIMENSIONI

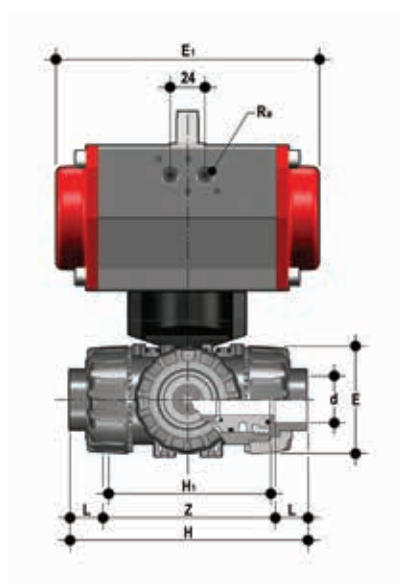
TKD/CP DN 10÷50 PVC-U



TKDLV/CP DA

Valvola a sfera a 3 vie DUAL BLOCK® con attacchi femmina, serie BS con attuatore pneumatico, funzione Doppio Effetto. Sfera a "T", configurazione 1

R	DN	PN	E	H	H ₁	L	Z	R ₀	E ₁	g	Codice EPDM	Codice FKM
3/8"	10	16	54	118	80	14,7	88,6	G1/8"	138	1413	TKDLVDA038E1	TKDLVDA038F1
1/2"	15	16	54	118	80	17	85	G1/8"	138	1943	TKDLVDA012E1	TKDLVDA012F1
3/4"	20	16	65	144,8	100	19	106,8	G1/4"	155,5	2186	TKDLVDA034E1	TKDLVDA034F1
1"	25	16	73	160	110	22,5	115	G1/4"	155,5	2409	TKDLVDA100E1	TKDLVDA100F1
1" 1/4	32	16	86	188,6	131	26	136,6	G1/4"	155,5	2913	TKDLVDA114E1	TKDLVDA114F1
1" 1/2	40	16	98	219,4	148	30,2	159	G1/4"	155,5	3260	TKDLVDA112E1	TKDLVDA112F1
2"	50	16	122	266,6	179	36,2	194,2	G1/4"	155,5	5684	TKDLVDA200E1	TKDLVDA200F1



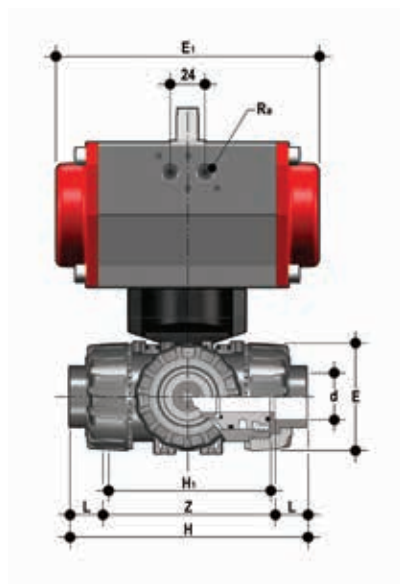
TKDLV/CP SA

Valvola a sfera a 3 vie DUAL BLOCK® con attacchi femmina, serie BS con attuatore pneumatico, funzione Semplice Effetto. Sfera a "T", configurazione 1

R	DN	PN	E	H	H ₁	L	Z	R ₀	E ₁	g	Codice EPDM	Codice FKM
3/8"	10	16	54	118	80	14,7	88,6	G1/8"	138	1543	TKDLVSA038E1	TKDLVSA038F1
1/2"	15	16	54	118	80	17	85	G1/8"	138	2143	TKDLVSA012E1	TKDLVSA012F1
3/4"	20	16	65	144,8	100	19	106,8	G1/4"	155,5	2386	TKDLVSA034E1	TKDLVSA034F1
1"	25	16	73	160	110	22,5	115	G1/4"	155,5	2659	TKDLVSA100E1	TKDLVSA100F1
1" 1/4	32	16	86	188,6	131	26	136,6	G1/4"	155,5	3113	TKDLVSA114E1	TKDLVSA114F1
1" 1/2	40	16	98	219,4	148	30,2	159	G1/4"	155,5	3460	TKDLVSA112E1	TKDLVSA112F1
2"	50	16	122	266,6	179	36,2	194,2	G1/4"	210	6154	TKDLVSA200E1	TKDLVSA200F1

DIMENSIONI

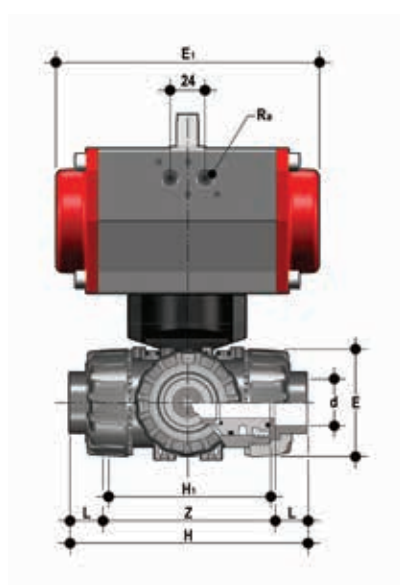
TKD/CP DN 10÷50 PVC-U



TKDAV/CP DA

Valvola a sfera a 3 vie DUAL BLOCK® con attacchi femmina, serie ASTM con attuatore pneumatico, funzione Doppio Effetto. Sfera a "T", configurazione 1

d	DN	PN	E	H	H ₁	L	Z	R _g	E ₁	g	Codice EPDM	Codice FKM
3/8"	10	16	54	132,2	80	19,5	93,2	G1/8"	138	1413	TKDAVDA038E1	TKDAVDA038F1
1/2"	15	16	54	132,2	80	23	86,2	G1/8"	138	1943	TKDAVDA012E1	TKDAVDA012F1
3/4"	20	16	65	159,2	100	25,5	108,2	G1/4"	155,5	2186	TKDAVDA034E1	TKDAVDA034F1
1"	25	16	73	174	110	28,7	116,6	G1/4"	155,5	2409	TKDAVDA100E1	TKDAVDA100F1
1" 1/4	32	16	86	205	131	32	141	G1/4"	155,5	2913	TKDAVDA114E1	TKDAVDA114F1
1" 1/2	40	16	98	227,6	148	35	157,6	G1/4"	155,5	3260	TKDAVDA112E1	TKDAVDA112F1
2"	50	16	122	267	179	38,2	190,6	G1/4"	155,5	5684	TKDAVDA200E1	TKDAVDA200F1



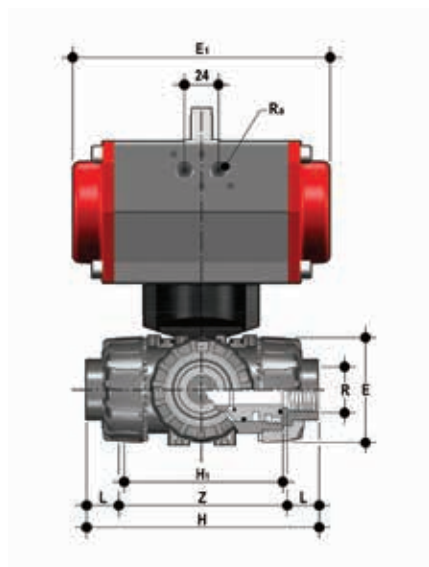
TKDAV/CP SA

Valvola a sfera a 3 vie DUAL BLOCK® con attacchi femmina, serie ASTM con attuatore pneumatico, funzione Semplice Effetto. Sfera a "T", configurazione 1

d	DN	PN	E	H	H ₁	L	Z	R _g	E ₁	g	Codice EPDM	Codice FKM
3/8"	10	16	54	132,2	80	19,5	93,2	G1/8"	138	1543	TKDAVSA038E1	TKDAVSA038F1
1/2"	15	16	54	132,2	80	23	86,2	G1/8"	138	2143	TKDAVSA012E1	TKDAVSA012F1
3/4"	20	16	65	159,2	100	25,5	108,2	G1/4"	155,5	2386	TKDAVSA034E1	TKDAVSA034F1
1"	25	16	73	174	110	28,7	116,6	G1/4"	155,5	2659	TKDAVSA100E1	TKDAVSA100F1
1" 1/4	32	16	86	205	131	32	141	G1/4"	155,5	3113	TKDAVSA114E1	TKDAVSA114F1
1" 1/2	40	16	98	227,6	148	35	157,6	G1/4"	155,5	3460	TKDAVSA112E1	TKDAVSA112F1
2"	50	16	122	267	179	38,2	190,6	G1/4"	210	6154	TKDAVSA200E1	TKDAVSA200F1

DIMENSIONI

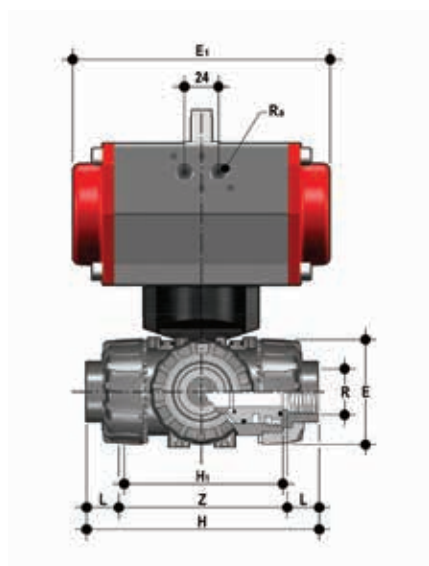
TKD/CP DN 10÷50 PVC-U



TKDNV/CP DA

Valvola a sfera a 3 vie DUAL BLOCK® con attacchi femmina, filettatura NPT con attuatore pneumatico, funzione Doppio Effetto. Sfera a "T", configurazione 1

R	DN	PN	E	H	H ₁	L	Z	R ₀	E ₁	g	Codice EPDM	Codice FKM
3/8"	10	16	54	118	80	13,7	90,6	G1/8"	138	1413	TKDNVDA038E1	TKDNVDA038F1
1/2"	15	16	54	126	80	18	90,4	G1/8"	138	1943	TKDNVDA012E1	TKDNVDA012F1
3/4"	20	16	65	146,4	100	18	110,4	G1/4"	155,5	2186	TKDNVDA034E1	TKDNVDA034F1
1"	25	16	73	166,6	110	22,6	121,4	G1/4"	155,5	2409	TKDNVDA100E1	TKDNVDA100F1
1" 1/4	32	16	86	195,8	131	25,1	145,6	G1/4"	155,5	2913	TKDNVDA114E1	TKDNVDA114F1
1" 1/2	40	16	98	211,4	148	24,7	162	G1/4"	155,5	3260	TKDNVDA112E1	TKDNVDA112F1
2"	50	16	122	253,8	179	29,6	194,6	G1/4"	155,5	5684	TKDNVDA200E1	TKDNVDA200F1



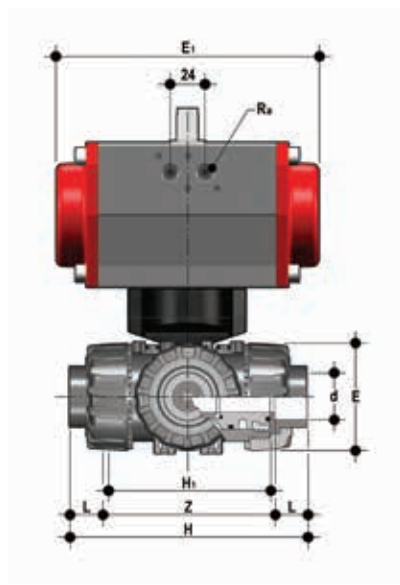
TKDNV/CP SA

Valvola a sfera a 3 vie DUAL BLOCK® con attacchi femmina, filettatura NPT con attuatore pneumatico, funzione Semplice Effetto. Sfera a "T", configurazione 1

R	DN	PN	E	H	H ₁	L	Z	R ₀	E ₁	g	Codice EPDM	Codice FKM
3/8"	10	16	54	118	80	13,7	90,6	G1/8"	138	1543	TKDNVSA038E1	TKDNVSA038F1
1/2"	15	16	54	126	80	18	90,4	G1/8"	138	2143	TKDNVSA012E1	TKDNVSA012F1
3/4"	20	16	65	146,4	100	18	110,4	G1/4"	155,5	2386	TKDNVSA034E1	TKDNVSA034F1
1"	25	16	73	166,6	110	22,6	121,4	G1/4"	155,5	2659	TKDNVSA100E1	TKDNVSA100F1
1" 1/4	32	16	86	195,8	131	25,1	145,6	G1/4"	155,5	3113	TKDNVSA114E1	TKDNVSA114F1
1" 1/2	40	16	98	211,4	148	24,7	162	G1/4"	155,5	3460	TKDNVSA112E1	TKDNVSA112F1
2"	50	16	122	253,8	179	29,6	194,6	G1/4"	210	6154	TKDNVSA200E1	TKDNVSA200F1

DIMENSIONI

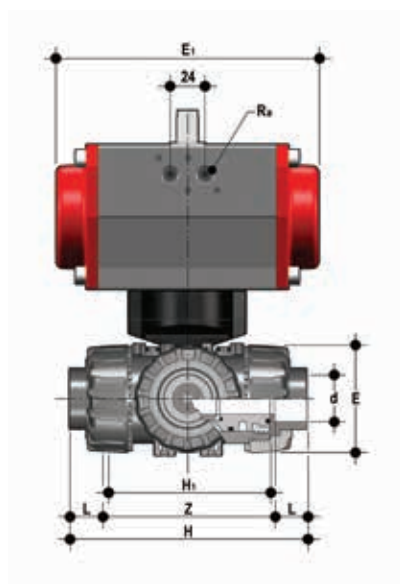
TKD/CP DN 10÷50 PVC-U



TKDJV/CP DA

Valvola a sfera a 3 vie DUAL BLOCK® con attacchi femmina, serie JIS, funzione Doppio Effetto. Sfera a "T", configurazione 1

d	DN	PN	E	H	H ₁	L	Z	R _g	E ₁	g	Codice EPDM	Codice FKM
1/2"	15	16	54	146	80	30	86	G1/8"	138	1943	TKDJVDA012E1	TKDJVDA012F1
3/4"	20	16	65	177	100	35	107	G1/4"	155,5	2186	TKDJVDA034E1	TKDJVDA034F1
1"	25	16	73	196	110	40	116	G1/4"	155,5	2409	TKDJVDA100E1	TKDJVDA100F1
1" 1/4	32	16	86	225	131	44	137	G1/4"	155,5	2913	TKDJVDA114E1	TKDJVDA114F1
1" 1/2	40	16	98	267,2	148	55	157,2	G1/4"	155,5	3260	TKDJVDA112E1	TKDJVDA112F1
2"	50	16	122	316	179	63	190	G1/4"	155,5	5684	TKDJVDA200E1	TKDJVDA200F1



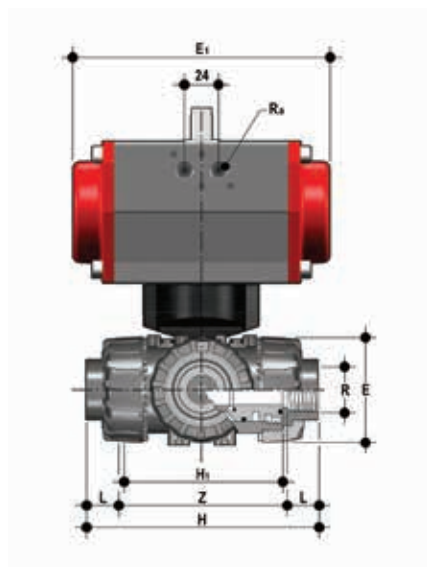
TKDJV/CP SA

Valvola a sfera a 3 vie DUAL BLOCK® con attacchi femmina, serie JIS, funzione Semplice Effetto. Sfera a "T", configurazione 1

d	DN	PN	E	H	H ₁	L	Z	R _g	E ₁	g	Codice EPDM	Codice FKM
1/2"	15	16	54	146	80	30	86	G1/8"	138	2143	TKDJVSA012E1	TKDJVSA012F1
3/4"	20	16	65	177	100	35	107	G1/4"	155,5	2386	TKDJVSA034E1	TKDJVSA034F1
1"	25	16	73	196	110	40	116	G1/4"	155,5	2659	TKDJVSA100E1	TKDJVSA100F1
1" 1/4	32	16	86	225	131	44	137	G1/4"	155,5	3113	TKDJVSA114E1	TKDJVSA114F1
1" 1/2	40	16	98	267,2	148	55	157,2	G1/4"	155,5	3460	TKDJVSA112E1	TKDJVSA112F1
2"	50	16	122	316	179	63	190	G1/4"	210	6154	TKDJVSA200E1	TKDJVSA200F1

DIMENSIONI

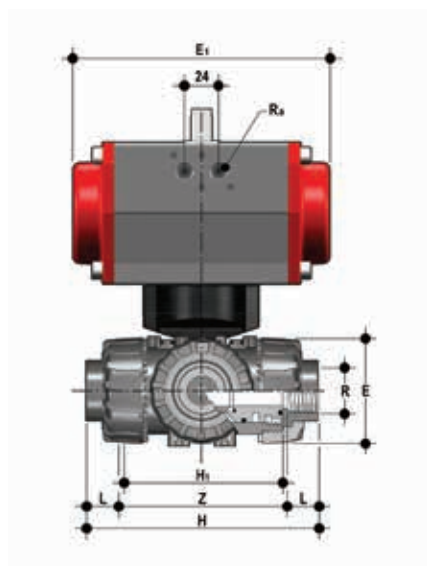
TKD/CP DN 10÷50 PVC-U



TKDGV/CP DA

Valvola a sfera a 3 vie DUAL BLOCK® con attacchi femmina, filettatura JIS funzione Doppio Effetto. Sfera a "T", configurazione 1

R	DN	PN	E	H	H ₁	L	Z	R _b	E ₁	g	Codice EPDM	Codice FKM
1/2"	15	16	54	118	80	16	86	G1/8"	138	1943	TKDGVDA012E1	TKDGVDA012F1
3/4"	20	16	65	144,8	100	19	106,8	G1/4"	155,5	2186	TKDGVDA034E1	TKDGVDA034F1
1"	25	16	73	160	110	22	116	G1/4"	155,5	2409	TKDGVDA100E1	TKDGVDA100F1
1" 1/4	32	16	86	188,6	131	25	138,6	G1/4"	155,5	2913	TKDGVDA114E1	TKDGVDA114F1
1" 1/2	40	16	98	219,4	148	26	167,4	G1/4"	155,5	3260	TKDGVDA112E1	TKDGVDA112F1
2"	50	16	122	166,6	179	31	204,6	G1/4"	155,5	5684	TKDGVDA200E1	TKDGVDA200F1



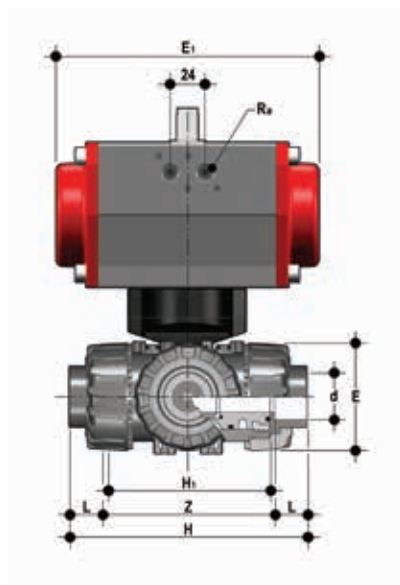
TKDGV/CP SA

Valvola a sfera a 3 vie DUAL BLOCK® con attacchi femmina, filettatura JIS funzione Semplice Effetto. Sfera a "T", configurazione 1

R	DN	PN	E	H	H ₁	L	Z	R _b	E ₁	g	Codice EPDM	Codice FKM
1/2"	15	16	54	118	80	16	86	G1/8"	138	2143	TKDGVSA012E1	TKDGVSA012F1
3/4"	20	16	65	144,8	100	19	106,8	G1/4"	155,5	2386	TKDGVSA034E1	TKDGVSA034F1
1"	25	16	73	160	110	22	116	G1/4"	155,5	2659	TKDGVSA100E1	TKDGVSA100F1
1" 1/4	32	16	86	188,6	131	25	138,6	G1/4"	155,5	3113	TKDGVSA114E1	TKDGVSA114F1
1" 1/2	40	16	98	219,4	148	26	167,4	G1/4"	155,5	3460	TKDGVSA112E1	TKDGVSA112F1
2"	50	16	122	166,6	179	31	204,6	G1/4"	210	6154	TKDGVSA200E1	TKDGVSA200F1

DIMENSIONI

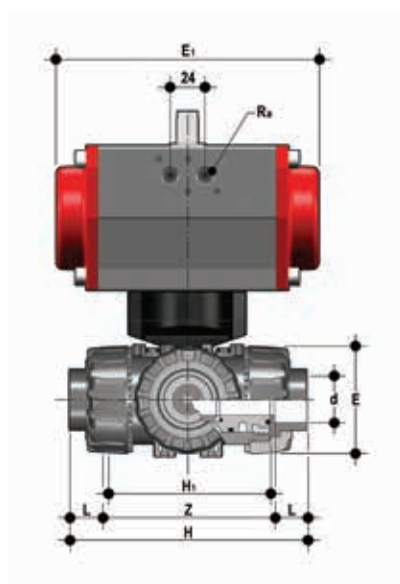
TKD/CP DN 10÷50 PVC-U



LKDIV/CP DA

Valvola a 3 vie DUAL BLOCK® con attacchi femmina metrici con attuatore pneumatico, funzione Doppio Effetto sfera a "L"

d	DN	PN	E	H	H ₁	L	Z	R _g	E ₁	g	Codice EPDM	Codice FKM
16	10	16	54	118	80	14	90	G1/8"	138	1413	LKDIVDA016E1	LKDIVDA016F1
20	15	16	54	118	80	16	86	G1/8"	138	1943	LKDIVDA020E1	LKDIVDA020F1
25	20	16	65	145	100	19	107	G1/4"	155,5	2186	LKDIVDA025E1	LKDIVDA025F1
32	25	16	73	160	110	22	116	G1/4"	155,5	2409	LKDIVDA032E1	LKDIVDA032F1
40	32	16	86	188,5	131	26	136,5	G1/4"	155,5	2913	LKDIVDA040E1	LKDIVDA040F1
50	40	16	98	219	148	31	157	G1/4"	155,5	3260	LKDIVDA050E1	LKDIVDA050F1
63	50	16	122	266,5	179	38	190,5	G1/4"	155,5	5684	LKDIVDA063E1	LKDIVDA063F1



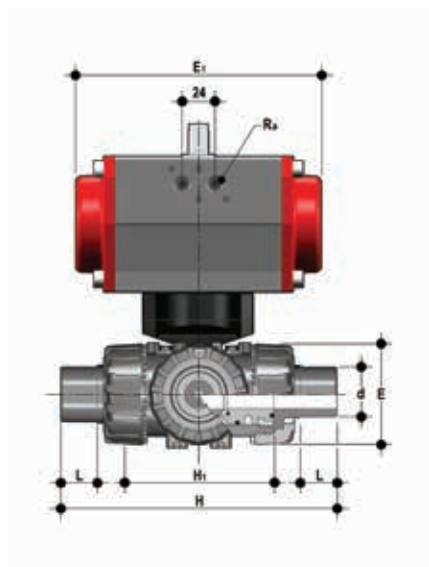
LKDIV/CP SA

Valvola a 3 vie DUAL BLOCK® con attacchi femmina metrici con attuatore pneumatico, funzione Semplice Effetto sfera a "L"

d	DN	PN	E	H	H ₁	L	Z	R _g	E ₁	g	Codice EPDM	Codice FKM
16	10	16	54	118	80	14	90	G1/8"	138	1543	LKDIVSA016E1	LKDIVSA016F1
20	15	16	54	118	80	16	86	G1/8"	138	2143	LKDIVSA020E1	LKDIVSA020F1
25	20	16	65	145	100	19	107	G1/4"	155,5	2386	LKDIVSA025E1	LKDIVSA025F1
32	25	16	73	160	110	22	116	G1/4"	155,5	2659	LKDIVSA032E1	LKDIVSA032F1
40	32	16	86	188,5	131	26	136,5	G1/4"	155,5	3113	LKDIVSA040E1	LKDIVSA040F1
50	40	16	98	219	148	31	157	G1/4"	155,5	3460	LKDIVSA050E1	LKDIVSA050F1
63	50	16	122	266,5	179	38	190,5	G1/4"	210	6154	LKDIVSA063E1	LKDIVSA063F1

DIMENSIONI

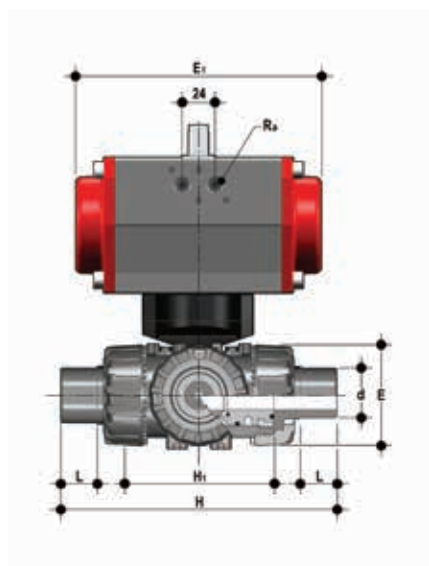
TKD/CP DN 10÷50 PVC-U



LKDDV/CP DA

Valvola a sfera a 3 vie DUAL BLOCK® con attacchi maschio metrici con attuatore pneumatico, funzione Doppio Effetto. Sfera a "L"

d	DN	PN	E	H	H ₁	L	R ₀	E ₁	g	Codice EPDM	Codice FKM
20	15	16	54	140	80	16	G1/8"	138	1943	LKDDVDA020E1	LKDDVDA020F1
25	20	16	65	175	100	19	G1/8"	155,5	2186	LKDDVDA025E1	LKDDVDA025F1
32	25	16	73	188	110	22	G1/8"	155,5	2409	LKDDVDA032E1	LKDDVDA032F1
40	32	16	86	220	131	26	G1/4"	155,5	2913	LKDDVDA040E1	LKDDVDA040F1
50	40	16	98	251	148	31	G1/4"	155,5	3260	LKDDVDA050E1	LKDDVDA050F1
63	50	16	122	294	179	38	G1/4"	155,5	5684	LKDDVDA063E1	LKDDVDA063F1



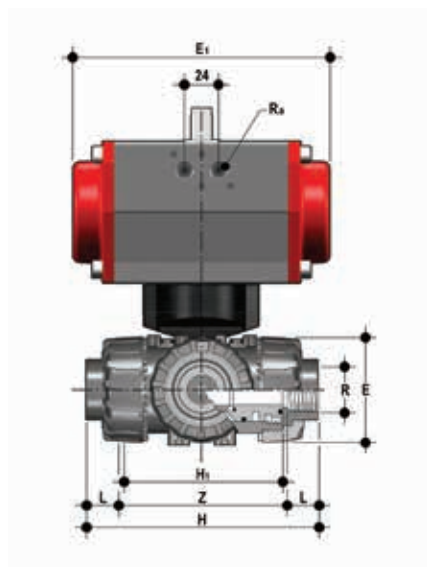
LKDDV/CP SA

Valvola a sfera a 3 vie DUAL BLOCK® con attacchi maschio metrici con attuatore pneumatico, funzione Semplice Effetto. Sfera a "L"

d	DN	PN	E	H	H ₁	L	R ₀	E ₁	g	Codice EPDM	Codice FKM
20	15	16	54	140	80	16	G1/8"	138	2143	LKDDVSA020E1	LKDDVSA020F1
25	20	16	65	175	100	19	G1/8"	155,5	2386	LKDDVSA025E1	LKDDVSA025F1
32	25	16	73	188	110	22	G1/8"	155,5	2659	LKDDVSA032E1	LKDDVSA032F1
40	32	16	86	220	131	26	G1/4"	155,5	3113	LKDDVSA040E1	LKDDVSA040F1
50	40	16	98	251	148	31	G1/4"	155,5	3460	LKDDVSA050E1	LKDDVSA050F1
63	50	16	122	294	179	38	G1/4"	210	6154	LKDDVSA063E1	LKDDVSA063F1

DIMENSIONI

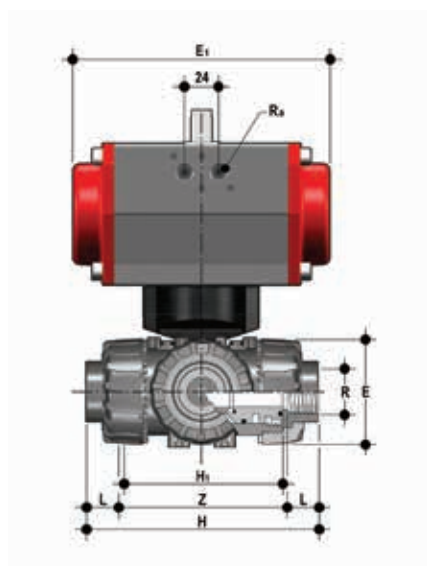
TKD/CP DN 10÷50 PVC-U



LKDFV/CP DA

Valvola a 3 vie DUAL BLOCK® con attacchi femmina filettatura cilindrica gas con attuatore pneumatico, funzione Doppio Effetto sfera a "L"

R	DN	PN	E	H	H ₁	L	Z	R ₀	E ₁	g	Codice EPDM	Codice FKM
3/8"	10	16	54	118	80	11,4	95	G1/8"	138	1413	LKDFVDA038E1	LKDFVDA038F1
1/2"	15	16	54	125	80	15	95	G1/8"	138	1943	LKDFVDA012E1	LKDFVDA012F1
3/4"	20	16	65	146	100	16,3	114	G1/4"	155,5	2186	LKDFVDA034E1	LKDFVDA034F1
1"	25	16	73	166	110	19,1	129	G1/4"	155,5	2409	LKDFVDA100E1	LKDFVDA100F1
1" 1/4	32	16	86	195,5	131	21,4	151	G1/4"	155,5	2913	LKDFVDA114E1	LKDFVDA114F1
1" 1/2	40	16	98	211	148	21,4	166	G1/4"	155,5	3260	LKDFVDA112E1	LKDFVDA112F1
2"	50	16	122	253,5	179	25,7	199	G1/4"	155,5	5684	LKDFVDA200E1	LKDFVDA200F1



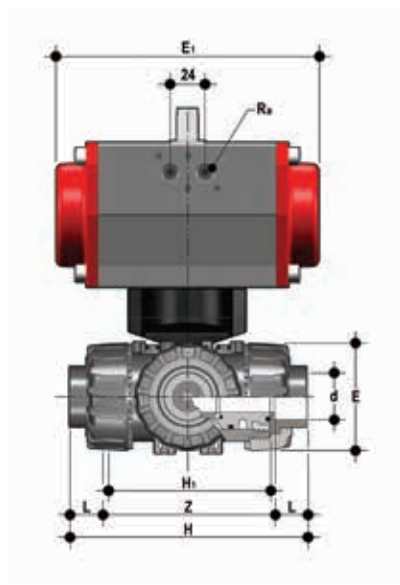
LKDFV/CP SA

Valvola a 3 vie DUAL BLOCK® con attacchi femmina filettatura cilindrica gas con attuatore pneumatico, funzione Semplice Effetto sfera a "L"

R	DN	PN	E	H	H ₁	L	Z	R ₀	E ₁	g	Codice EPDM	Codice FKM
3/8"	10	16	54	118	80	11,4	95	G1/8"	138	1543	LKDFVSA038E1	LKDFVSA038F1
1/2"	15	16	54	125	80	15	95	G1/8"	138	2143	LKDFVSA012E1	LKDFVSA012F1
3/4"	20	16	65	146	100	16,3	114	G1/4"	155,5	2386	LKDFVSA034E1	LKDFVSA034F1
1"	25	16	73	166	110	19,1	129	G1/4"	155,5	2659	LKDFVSA100E1	LKDFVSA100F1
1" 1/4	32	16	86	195,5	131	21,4	151	G1/4"	155,5	3113	LKDFVSA114E1	LKDFVSA114F1
1" 1/2	40	16	98	211	148	21,4	166	G1/4"	155,5	3460	LKDFVSA112E1	LKDFVSA112F1
2"	50	16	122	253,5	179	25,7	199	G1/4"	210	6154	LKDFVSA200E1	LKDFVSA200F1

DIMENSIONI

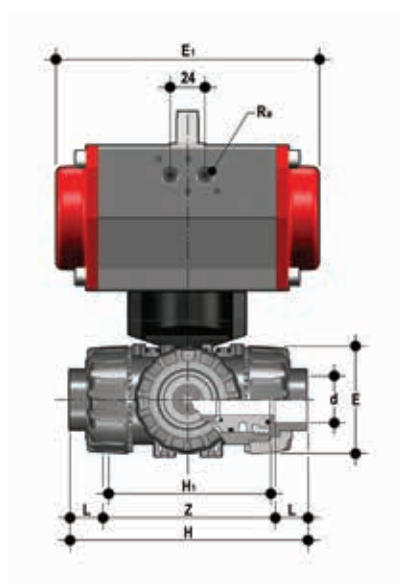
TKD/CP DN 10÷50 PVC-U



LKDLV/CP DA

Valvola a sfera a 3 vie DUAL BLOCK® con attacchi femmina, serie BS con attuatore pneumatico, funzione Doppio Effetto. Sfera a "L"

R	DN	PN	E	H	H ₁	L	Z	R _g	E ₁	g	Codice EPDM	Codice FKM
3/8"	10	16	54	118	80	14,7	88,6	G1/8"	138	1413	LKDLVDA038E1	LKDLVDA038F1
1/2"	15	16	54	118	80	17	85	G1/8"	138	1943	LKDLVDA012E1	LKDLVDA012F1
3/4"	20	16	65	144,8	100	19	106,8	G1/4"	155,5	2186	LKDLVDA034E1	LKDLVDA034F1
1"	25	16	73	160	110	22,5	115	G1/4"	155,5	2409	LKDLVDA100E1	LKDLVDA100F1
1" 1/4	32	16	86	188,6	131	26	136,6	G1/4"	155,5	2913	LKDLVDA114E1	LKDLVDA114F1
1" 1/2	40	16	98	219,4	148	30,2	159	G1/4"	155,5	3260	LKDLVDA112E1	LKDLVDA112F1
2"	50	16	122	266,6	179	36,2	194,2	G1/4"	155,5	5684	LKDLVDA200E1	LKDLVDA200F1



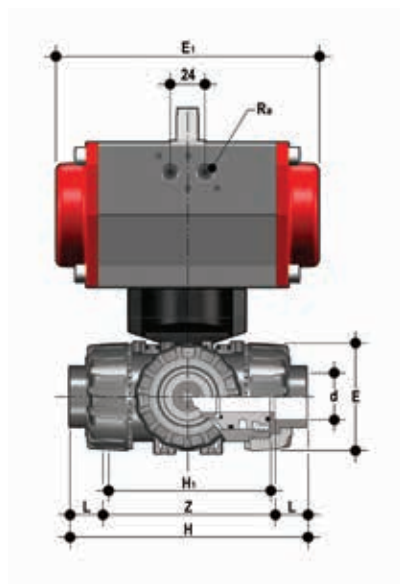
LKDLV/CP SA

Valvola a sfera a 3 vie DUAL BLOCK® con attacchi femmina, serie BS con attuatore pneumatico, funzione Semplice Effetto. Sfera a "L"

R	DN	PN	E	H	H ₁	L	Z	R _g	E ₁	g	Codice EPDM	Codice FKM
3/8"	10	16	54	118	80	14,7	88,6	G1/8"	138	1543	LKDLVSA038E1	LKDLVSA038F1
1/2"	15	16	54	118	80	17	85	G1/8"	138	2143	LKDLVSA012E1	LKDLVSA012F1
3/4"	20	16	65	144,8	100	19	106,8	G1/4"	155,5	2386	LKDLVSA034E1	LKDLVSA034F1
1"	25	16	73	160	110	22,5	115	G1/4"	155,5	2659	LKDLVSA100E1	LKDLVSA100F1
1" 1/4	32	16	86	188,6	131	26	136,6	G1/4"	155,5	3113	LKDLVSA114E1	LKDLVSA114F1
1" 1/2	40	16	98	219,4	148	30,2	159	G1/4"	155,5	3460	LKDLVSA112E1	LKDLVSA112F1
2"	50	16	122	266,6	179	36,2	194,2	G1/4"	210	6154	LKDLVSA200E1	LKDLVSA200F1

DIMENSIONI

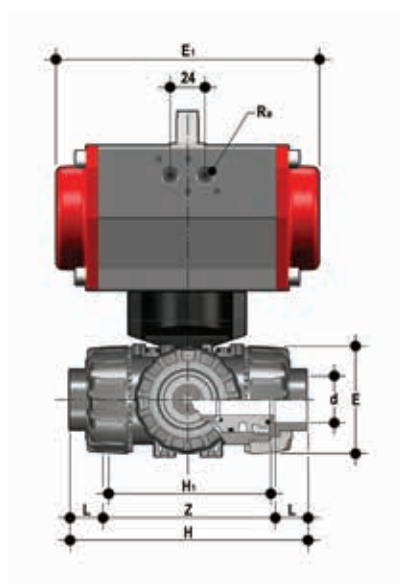
TKD/CP DN 10÷50 PVC-U



LKDAV/CP DA

Valvola a sfera a 3 vie DUAL BLOCK® con attacchi femmina, serie ASTM con attuatore pneumatico, funzione Doppio Effetto. Sfera a "L"

d	DN	PN	E	H	H ₁	L	Z	R _g	E ₁	g	Codice EPDM	Codice FKM
3/8"	10	16	54	132,2	80	19,5	93,2	G1/8"	138	1413	LKDAVDA038E1	LKDAVDA038F1
1/2"	15	16	54	132,2	80	23	86,2	G1/8"	138	1943	LKDAVDA012E1	LKDAVDA012F1
3/4"	20	16	65	159,2	100	25,5	108,2	G1/4"	155,5	2186	LKDAVDA034E1	LKDAVDA034F1
1"	25	16	73	174	110	28,7	116,6	G1/4"	155,5	2409	LKDAVDA100E1	LKDAVDA100F1
1" 1/4	32	16	86	205	131	32	141	G1/4"	155,5	2913	LKDAVDA114E1	LKDAVDA114F1
1" 1/2	40	16	98	227,6	148	35	157,6	G1/4"	155,5	3260	LKDAVDA112E1	LKDAVDA112F1
2"	50	16	122	267	179	38,2	190,6	G1/4"	155,5	5684	LKDAVDA200E1	LKDAVDA200F1



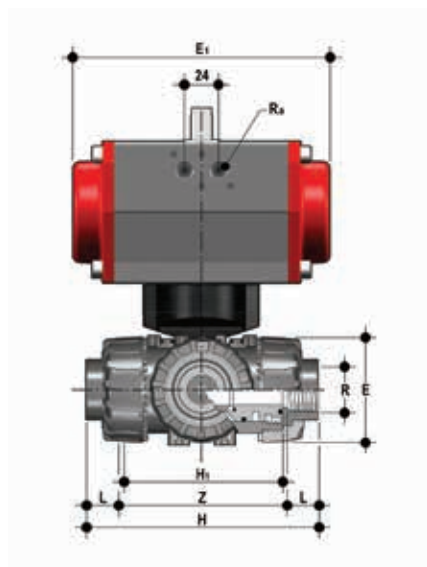
LKDAV/CP SA

Valvola a sfera a 3 vie DUAL BLOCK® con attacchi femmina, serie ASTM con attuatore pneumatico, funzione Semplice Effetto. Sfera a "L"

d	DN	PN	E	H	H ₁	L	Z	R _g	E ₁	g	Codice EPDM	Codice FKM
3/8"	10	16	54	132,2	80	19,5	93,2	G1/8"	138	1543	LKDAVSA038E1	LKDAVSA038F1
1/2"	15	16	54	132,2	80	23	86,2	G1/8"	138	2143	LKDAVSA012E1	LKDAVSA012F1
3/4"	20	16	65	159,2	100	25,5	108,2	G1/4"	155,5	2386	LKDAVSA034E1	LKDAVSA034F1
1"	25	16	73	174	110	28,7	116,6	G1/4"	155,5	2659	LKDAVSA100E1	LKDAVSA100F1
1" 1/4	32	16	86	205	131	32	141	G1/4"	155,5	3113	LKDAVSA114E1	LKDAVSA114F1
1" 1/2	40	16	98	227,6	148	35	157,6	G1/4"	155,5	3460	LKDAVSA112E1	LKDAVSA112F1
2"	50	16	122	267	179	38,2	190,6	G1/4"	210	6154	LKDAVSA200E1	LKDAVSA200F1

DIMENSIONI

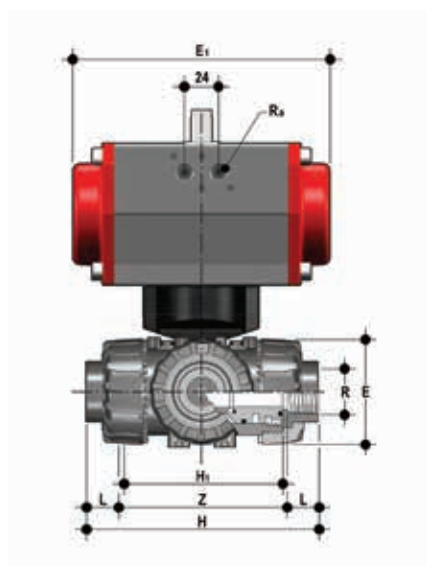
TKD/CP DN 10÷50 PVC-U



LKDNV/CP DA

Valvola a sfera a 3 vie DUAL BLOCK® con attacchi femmina, filettatura NPT con attuatore pneumatico, funzione Doppio Effetto. Sfera a "L"

R	DN	PN	E	H	H ₁	L	Z	R ₀	E ₁	g	Codice EPDM	Codice FKM
3/8"	10	16	54	118	80	13,7	90,6	G1/8"	138	1413	LKDNVDA038E1	LKDNVDA038F1
1/2"	15	16	54	126	80	18	90,4	G1/8"	138	1943	LKDNVDA012E1	LKDNVDA012F1
3/4"	20	16	65	146,4	100	18	110,4	G1/4"	155,5	2186	LKDNVDA034E1	LKDNVDA034F1
1"	25	16	73	166,6	110	22,6	121,4	G1/4"	155,5	2409	LKDNVDA100E1	LKDNVDA100F1
1" 1/4	32	16	86	195,8	131	25,1	145,6	G1/4"	155,5	2913	LKDNVDA114E1	LKDNVDA114F1
1" 1/2	40	16	98	211,4	148	24,7	162	G1/4"	155,5	3260	LKDNVDA112E1	LKDNVDA112F1
2"	50	16	122	253,8	179	29,6	194,6	G1/4"	155,5	5684	LKDNVDA200E1	LKDNVDA200F1



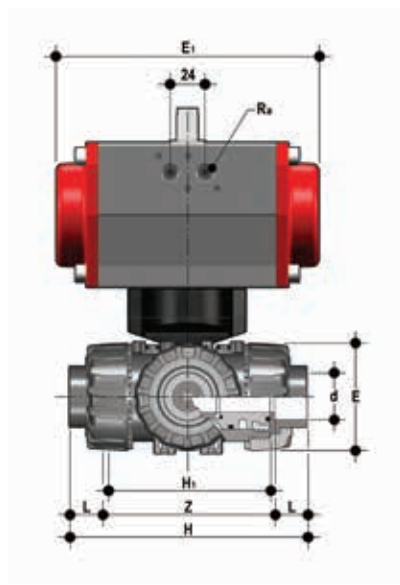
LKDNV/CP SA

Valvola a sfera a 3 vie DUAL BLOCK® con attacchi femmina, filettatura NPT con attuatore pneumatico, funzione Semplice Effetto. Sfera a "L"

R	DN	PN	E	H	H ₁	L	Z	R ₀	E ₁	g	Codice EPDM	Codice FKM
3/8"	10	16	54	118	80	13,7	90,6	G1/8"	138	1543	LKDNVSA038E1	LKDNVSA038F1
1/2"	15	16	54	126	80	18	90,4	G1/8"	138	2143	LKDNVSA012E1	LKDNVSA012F1
3/4"	20	16	65	146,4	100	18	110,4	G1/4"	155,5	2386	LKDNVSA034E1	LKDNVSA034F1
1"	25	16	73	166,6	110	22,6	121,4	G1/4"	155,5	2659	LKDNVSA100E1	LKDNVSA100F1
1" 1/4	32	16	86	195,8	131	25,1	145,6	G1/4"	155,5	3113	LKDNVSA114E1	LKDNVSA114F1
1" 1/2	40	16	98	211,4	148	24,7	162	G1/4"	155,5	3460	LKDNVSA112E1	LKDNVSA112F1
2"	50	16	122	253,8	179	29,6	194,6	G1/4"	210	6154	LKDNVSA200E1	LKDNVSA200F1

DIMENSIONI

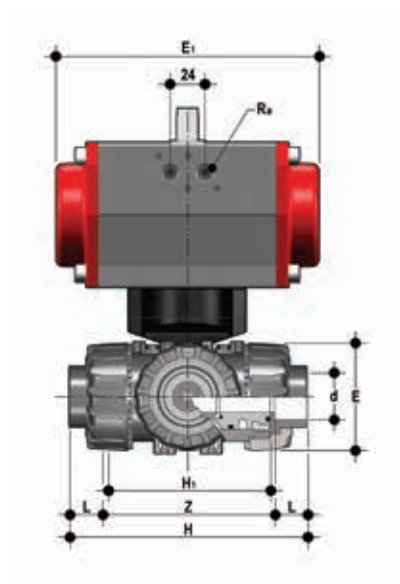
TKD/CP DN 10÷50 PVC-U



LKDJV/CP DA

Valvola a sfera a 3 vie DUAL BLOCK® con attacchi femmina, serie JIS, funzione Doppio Effetto. Sfera a "L"

d	DN	PN	E	H	H ₁	L	Z	R _g	E ₁	g	Codice EPDM	Codice FKM
1/2"	15	16	54	146	80	30	86	G1/8"	138	1943	LKDJVDA012E1	LKDJVDA012F1
3/4"	20	16	65	177	100	35	107	G1/4"	155,5	2186	LKDJVDA034E1	LKDJVDA034F1
1"	25	16	73	196	110	40	116	G1/4"	155,5	2409	LKDJVDA100E1	LKDJVDA100F1
1" 1/4	32	16	86	225	131	44	137	G1/4"	155,5	2913	LKDJVDA114E1	LKDJVDA114F1
1" 1/2	40	16	98	267,2	148	55	157,2	G1/4"	155,5	3260	LKDJVDA112E1	LKDJVDA112F1
2"	50	16	122	316	179	63	190	G1/4"	155,5	5684	LKDJVDA200E1	LKDJVDA200F1



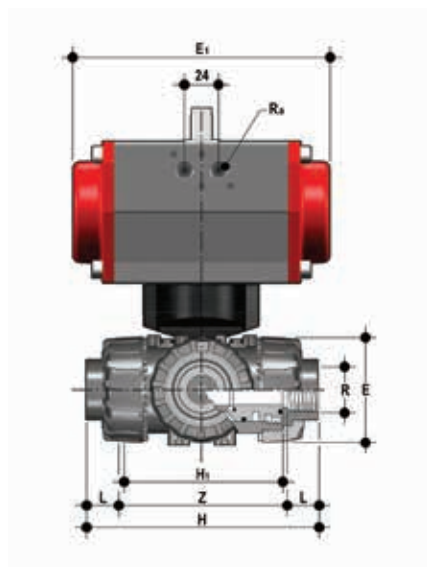
LKDJV/CP SA

Valvola a sfera a 3 vie DUAL BLOCK® con attacchi femmina, serie JIS, funzione Semplice Effetto. Sfera a "L"

d	DN	PN	E	H	H ₁	L	Z	R _g	E ₁	g	Codice EPDM	Codice FKM
1/2"	15	16	54	146	80	30	86	G1/8"	138	2143	LKDJVSA012E1	LKDJVSA012F1
3/4"	20	16	65	177	100	35	107	G1/4"	155,5	2386	LKDJVSA034E1	LKDJVSA034F1
1"	25	16	73	196	110	40	116	G1/4"	155,5	2659	LKDJVSA100E1	LKDJVSA100F1
1" 1/4	32	16	86	225	131	44	137	G1/4"	155,5	3113	LKDJVSA114E1	LKDJVSA114F1
1" 1/2	40	16	98	267,2	148	55	157,2	G1/4"	155,5	3460	LKDJVSA112E1	LKDJVSA112F1
2"	50	16	122	316	179	63	190	G1/4"	210	6154	LKDJVSA200E1	LKDJVSA200F1

DIMENSIONI

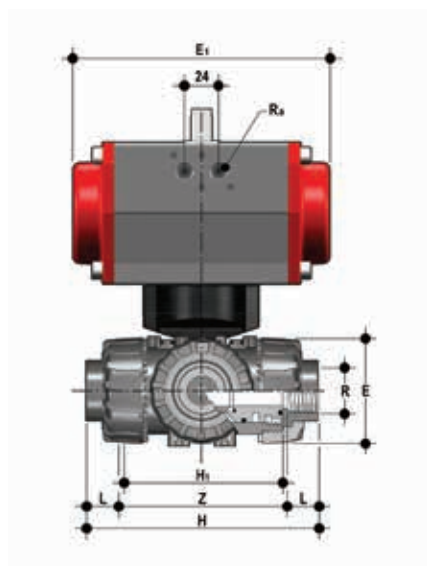
TKD/CP DN 10÷50 PVC-U



LKDG/CP DA

Valvola a sfera a 3 vie DUAL BLOCK® con attacchi femmina, filettatura JIS funzione Doppio Effetto. Sfera a "L"

R	DN	PN	E	H	H ₁	L	Z	R _b	E ₁	g	Codice EPDM	Codice FKM
1/2"	15	16	54	118	80	16	86	G1/8"	138	1943	LKDGVDA012E1	LKDGVDA012F1
3/4"	20	16	65	144,8	100	19	106,8	G1/4"	155,5	2186	LKDGVDA034E1	LKDGVDA034F1
1"	25	16	73	160	110	22	116	G1/4"	155,5	2409	LKDGVDA100E1	LKDGVDA100F1
1" 1/4	32	16	86	188,6	131	25	138,6	G1/4"	155,5	2913	LKDGVDA114E1	LKDGVDA114F1
1" 1/2	40	16	98	219,4	148	26	167,4	G1/4"	155,5	3260	LKDGVDA112E1	LKDGVDA112F1
2"	50	16	122	166,6	179	31	204,6	G1/4"	155,5	5684	LKDGVDA200E1	LKDGVDA200F1



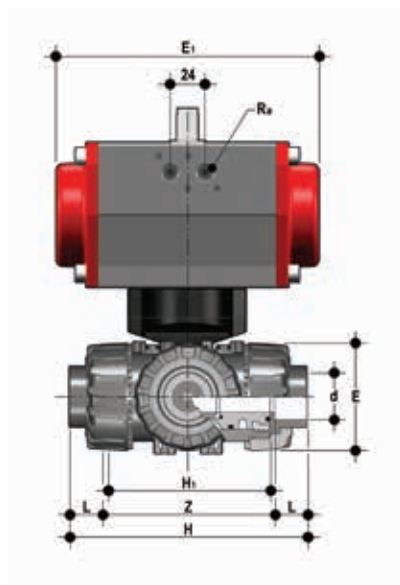
LKDG/CP SA

Valvola a sfera a 3 vie DUAL BLOCK® con attacchi femmina, filettatura JIS funzione Semplice Effetto. Sfera a "L"

R	DN	PN	E	H	H ₁	L	Z	R _b	E ₁	g	Codice EPDM	Codice FKM
1/2"	15	16	54	118	80	16	86	G1/8"	138	2143	LKDGVSA012E1	LKDGVSA012F1
3/4"	20	16	65	144,8	100	19	106,8	G1/4"	155,5	2386	LKDGVSA034E1	LKDGVSA034F1
1"	25	16	73	160	110	22	116	G1/4"	155,5	2659	LKDGVSA100E1	LKDGVSA100F1
1" 1/4	32	16	86	188,6	131	25	138,6	G1/4"	155,5	3113	LKDGVSA114E1	LKDGVSA114F1
1" 1/2	40	16	98	219,4	148	26	167,4	G1/4"	155,5	3460	LKDGVSA112E1	LKDGVSA112F1
2"	50	16	122	166,6	179	31	204,6	G1/4"	210	6154	LKDGVSA200E1	LKDGVSA200F1

DIMENSIONI

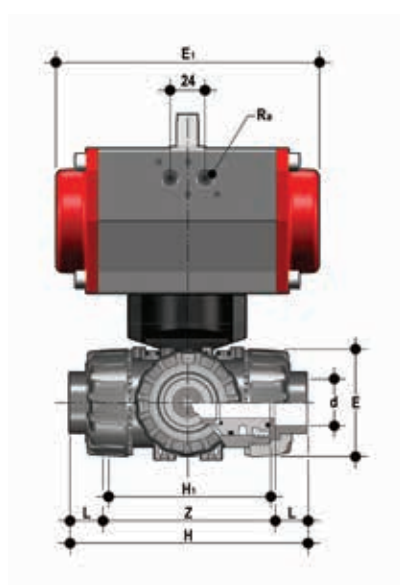
TKD/CP DN 10÷50 PVC-C



TKDIC/CP DA

Valvola a sfera a 3 vie DUAL BLOCK® con attacchi femmina per incollaggio, serie metrica con attuatore pneumatico, funzione Doppio Effetto sfera a "T", configurazione 1

d	DN	PN	E	H	H ₁	L	Z	R _g	E ₁	g	Codice EPDM	Codice FKM
16	10	16	54	118	80	14	90	G1/8"	138	1442	TKDICDA016E1	TKDICDA016F1
20	15	16	54	118	80	16	86	G1/8"	138	1972	TKDICDA020E1	TKDICDA020F1
25	20	16	65	145	100	19	107	G1/4"	155,5	2236	TKDICDA025E1	TKDICDA025F1
32	25	16	73	160	110	22	116	G1/4"	155,5	2532	TKDICDA032E1	TKDICDA032F1
40	32	16	86	188,5	131	26	136,5	G1/4"	155,5	3025	TKDICDA040E1	TKDICDA040F1
50	40	16	98	219	148	31	157	G1/4"	155,5	3410	TKDICDA050E1	TKDICDA050F1
63	50	16	122	266,5	179	38	190,5	G1/4"	155,5	5944	TKDICDA063E1	TKDICDA063F1



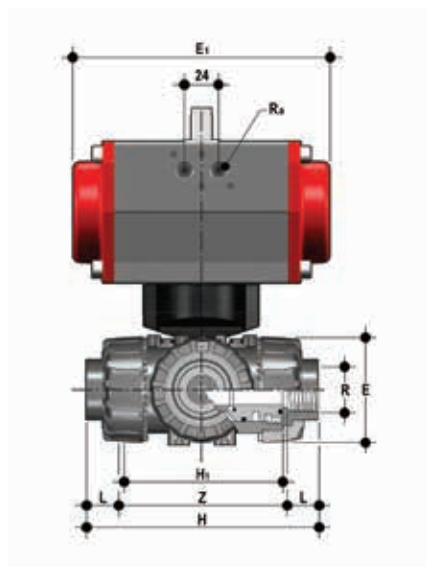
TKDIC/CP SA

Valvola a sfera a 3 vie DUAL BLOCK® con attacchi femmina per incollaggio, serie metrica con attuatore pneumatico, funzione Semplice Effetto sfera a "T", configurazione 1

d	DN	PN	E	H	H ₁	L	Z	R _g	E ₁	g	Codice EPDM	Codice FKM
16	10	16	54	118	80	14	90	G1/8"	138	1562	TKDICSA016E1	TKDICSA016F1
20	15	16	54	118	80	16	86	G1/8"	138	2172	TKDICSA020E1	TKDICSA020F1
25	20	16	65	145	100	19	107	G1/4"	155,5	2436	TKDICSA025E1	TKDICSA025F1
32	25	16	73	160	110	22	116	G1/4"	155,5	2732	TKDICSA032E1	TKDICSA032F1
40	32	16	86	188,5	131	26	136,5	G1/4"	155,5	3225	TKDICSA040E1	TKDICSA040F1
50	40	16	98	219	148	31	157	G1/4"	155,5	3610	TKDICSA050E1	TKDICSA050F1
63	50	16	122	266,5	179	38	190,5	G1/4"	210	6414	TKDICSA063E1	TKDICSA063F1

DIMENSIONI

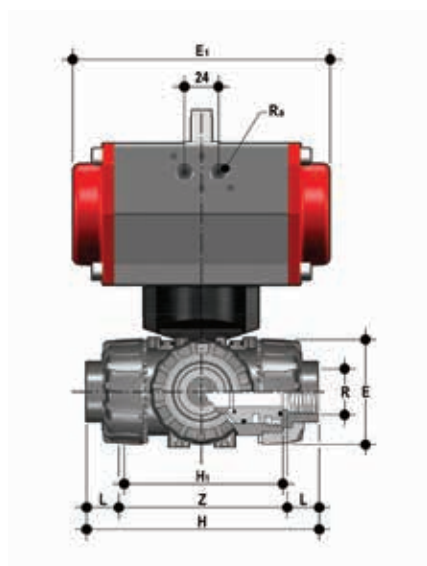
TKD/CP DN 10÷50 PVC-C



TKDNC/CP DA

Valvola a sfera a 3 vie DUAL BLOCK® con attacchi femmina, filettatura NPT con attuatore pneumatico, funzione Doppio Effetto. Sfera a "T", configurazione 1

R	DN	PN	E	H	H ₁	L	Z	R ₀	E ₁	g	Codice EPDM	Codice FKM
3/8"	10	16	54	118	80	13,7	90,6	G1/8"	138	1442	TKDNCDA038E1	TKDNCDA038F1
1/2"	15	16	54	126	80	18	90,4	G1/8"	138	1972	TKDNCDA012E1	TKDNCDA012F1
3/4"	20	16	65	146,4	100	18	110,4	G1/4"	155,5	2236	TKDNCDA034E1	TKDNCDA034F1
1"	25	16	73	166,6	110	22,6	121,4	G1/4"	155,5	2532	TKDNCDA100E1	TKDNCDA100F1
1" 1/4	32	16	86	195,8	131	25,1	145,6	G1/4"	155,5	3025	TKDNCDA114E1	TKDNCDA114F1
1" 1/2	40	16	98	211,4	148	24,7	162	G1/4"	155,5	3410	TKDNCDA112E1	TKDNCDA112F1
2"	50	16	122	253,8	179	29,6	194,6	G1/4"	155,5	5944	TKDNCDA200E1	TKDNCDA200F1



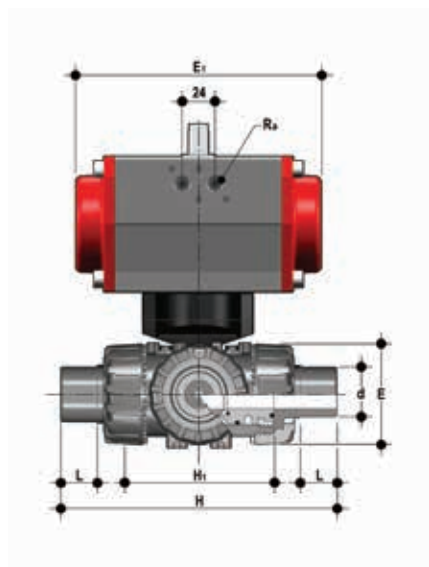
TKDNC/CP SA

Valvola a sfera a 3 vie DUAL BLOCK® con attacchi femmina, filettatura NPT con attuatore pneumatico, funzione Semplice Effetto. Sfera a "T", configurazione 1

R	DN	PN	E	H	H ₁	L	Z	R ₀	E ₁	g	Codice EPDM	Codice FKM
3/8"	10	16	54	118	80	13,7	90,6	G1/8"	138	1562	TKDNCSA038E1	TKDNCSA038F1
1/2"	15	16	54	126	80	18	90,4	G1/8"	138	2172	TKDNCSA012E1	TKDNCSA012F1
3/4"	20	16	65	146,4	100	18	110,4	G1/4"	155,5	2436	TKDNCSA034E1	TKDNCSA034F1
1"	25	16	73	166,6	110	22,6	121,4	G1/4"	155,5	2732	TKDNCSA100E1	TKDNCSA100F1
1" 1/4	32	16	86	195,8	131	25,1	145,6	G1/4"	155,5	3225	TKDNCSA114E1	TKDNCSA114F1
1" 1/2	40	16	98	211,4	148	24,7	162	G1/4"	155,5	3610	TKDNCSA112E1	TKDNCSA112F1
2"	50	16	122	253,8	179	29,6	194,6	G1/4"	210	6414	TKDNCSA200E1	TKDNCSA200F1

DIMENSIONI

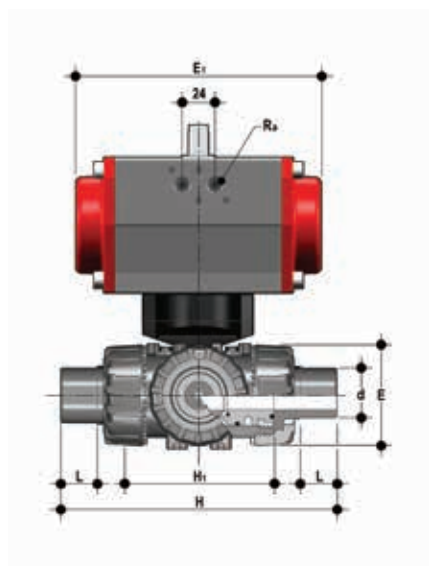
TKD/CP DN 10÷50 PVC-C



TKDDC/CP DA

Valvola a sfera a 3 vie DUAL BLOCK® con attacchi maschio metrici con attuatore pneumatico, funzione Doppio Effetto. Sfera a "T", configurazione 1

d	DN	PN	E	H	H ₁	L	R ₀	E ₁	g	Codice EPDM	Codice FKM
20	15	16	54	140	80	16	G1/8"	138	1972	TKDDCDA020E1	TKDDCDA020F1
25	20	16	65	175	100	19	G1/8"	155,5	2236	TKDDCDA025E1	TKDDCDA025F1
32	25	16	73	188	110	22	G1/8"	155,5	2532	TKDDCDA032E1	TKDDCDA032F1
40	32	16	86	220	131	26	G1/4"	155,5	3025	TKDDCDA040E1	TKDDCDA040F1
50	40	16	98	251	148	31	G1/4"	155,5	3410	TKDDCDA050E1	TKDDCDA050F1
63	50	16	122	294	179	38	G1/4"	155,5	5944	TKDDCDA063E1	TKDDCDA063F1



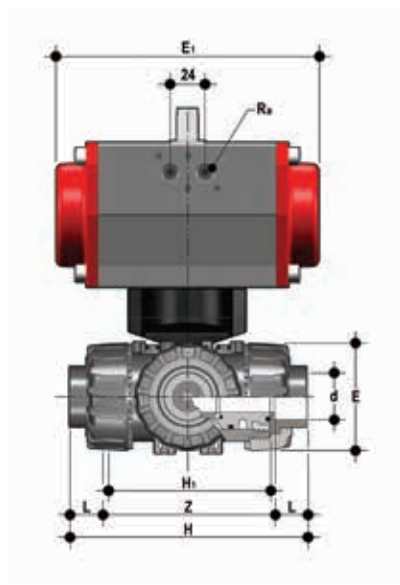
TKDDC/CP SA

Valvola a sfera a 3 vie DUAL BLOCK® con attacchi maschio metrici con attuatore pneumatico, funzione Semplice Effetto. Sfera a "T", configurazione 1

d	DN	PN	E	H	H ₁	L	R ₀	E ₁	g	Codice EPDM	Codice FKM
20	15	16	54	140	80	16	G1/8"	138	2172	TKDDCSA020E1	TKDDCSA020F1
25	20	16	65	175	100	19	G1/8"	155,5	2436	TKDDCSA025E1	TKDDCSA025F1
32	25	16	73	188	110	22	G1/8"	155,5	2732	TKDDCSA032E1	TKDDCSA032F1
40	32	16	86	220	131	26	G1/4"	155,5	3225	TKDDCSA040E1	TKDDCSA040F1
50	40	16	98	251	148	31	G1/4"	155,5	3610	TKDDCSA050E1	TKDDCSA050F1
63	50	16	122	294	179	38	G1/4"	155,5	6414	TKDDCSA063E1	TKDDCSA063F1

DIMENSIONI

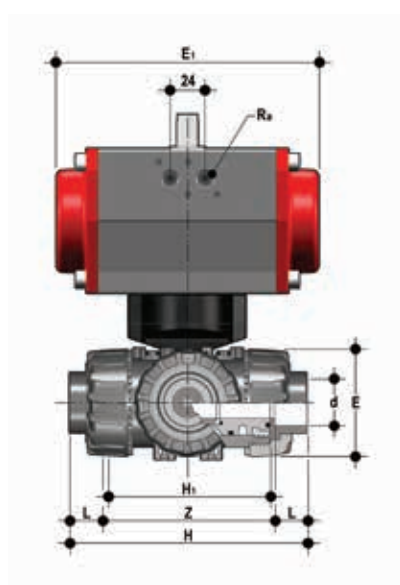
TKD/CP DN 10÷50 PVC-C



TKDAC/CP DA

Valvola a sfera a 3 vie DUAL BLOCK® con attacchi femmina per incollaggio, serie ASTM con attuatore pneumatico, funzione Doppio Effetto. Sfera a "T", configurazione 1

d	DN	PN	E	H	H ₁	L	Z	R _g	E ₁	g	Codice EPDM	Codice FKM
3/8"	10	16	54	132,2	80	19,5	93,2	G1/8"	138	1442	TKDACDA038E1	TKDACDA038F1
1/2"	15	16	54	132,2	80	23	86,2	G1/8"	138	1972	TKDACDA012E1	TKDACDA012F1
3/4"	20	16	65	159,2	100	25,5	108,2	G1/4"	155,5	2236	TKDACDA034E1	TKDACDA034F1
1"	25	16	73	174	110	28,7	116,6	G1/4"	155,5	2532	TKDACDA100E1	TKDACDA100F1
1" 1/4	32	16	86	205	131	32	141	G1/4"	155,5	3025	TKDACDA114E1	TKDACDA114F1
1" 1/2	40	16	98	227,6	148	35	157,6	G1/4"	155,5	3410	TKDACDA112E1	TKDACDA112F1
2"	50	16	122	267	179	38,2	190,6	G1/4"	155,5	5944	TKDACDA200E1	TKDACDA200F1



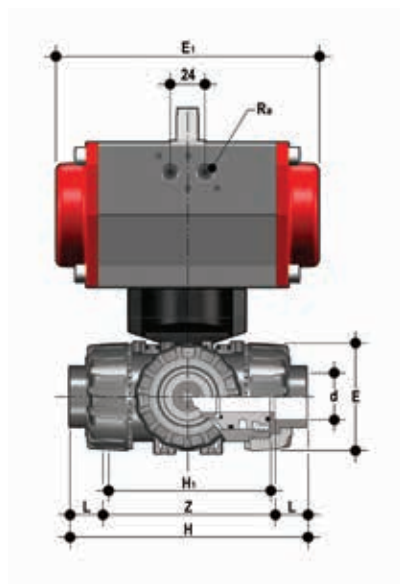
TKDAC/CP SA

Valvola a sfera a 3 vie DUAL BLOCK® con attacchi femmina per incollaggio, serie ASTM con attuatore pneumatico, funzione Semplice Effetto. Sfera a "T", configurazione 1

d	DN	PN	E	H	H ₁	L	Z	R _g	E ₁	g	Codice EPDM	Codice FKM
3/8"	10	16	54	132,2	80	19,5	93,2	G1/8"	138	1562	TKDACSA038E1	TKDACSA038F1
1/2"	15	16	54	132,2	80	23	86,2	G1/8"	138	2172	TKDACSA012E1	TKDACSA012F1
3/4"	20	16	65	159,2	100	25,5	108,2	G1/4"	155,5	2436	TKDACSA034E1	TKDACSA034F1
1"	25	16	73	174	110	28,7	116,6	G1/4"	155,5	2732	TKDACSA100E1	TKDACSA100F1
1" 1/4	32	16	86	205	131	32	141	G1/4"	155,5	3225	TKDACSA114E1	TKDACSA114F1
1" 1/2	40	16	98	227,6	148	35	157,6	G1/4"	155,5	3610	TKDACSA112E1	TKDACSA112F1
2"	50	16	122	267	179	38,2	190,6	G1/4"	210	6414	TKDACSA200E1	TKDACSA200F1

DIMENSIONI

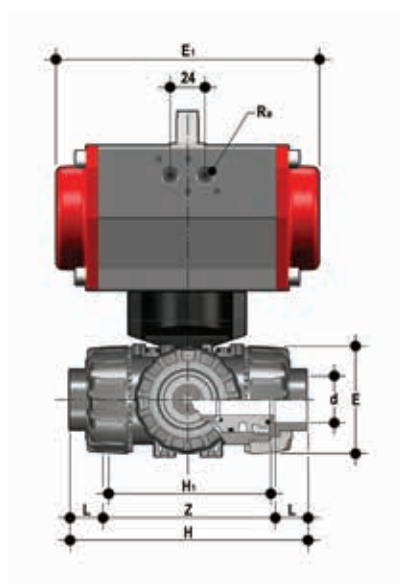
TKD/CP DN 10÷50 PVC-C



LKDIC/CP DA

Valvola a sfera a 3 vie DUAL BLOCK® con attacchi femmina per incollaggio, serie metrica con attuatore pneumatico, funzione Doppio Effetto sfera a "L"

d	DN	PN	E	H	H ₁	L	Z	R _g	E ₁	g	Codice EPDM	Codice FKM
16	10	16	54	118	80	14	90	G1/8"	138	1442	LKDICDA016E1	LKDICDA016F1
20	15	16	54	118	80	16	86	G1/8"	138	1972	LKDICDA020E1	LKDICDA020F1
25	20	16	65	145	100	19	107	G1/4"	155,5	2236	LKDICDA025E1	LKDICDA025F1
32	25	16	73	160	110	22	116	G1/4"	155,5	2532	LKDICDA032E1	LKDICDA032F1
40	32	16	86	188,5	131	26	136,5	G1/4"	155,5	3025	LKDICDA040E1	LKDICDA040F1
50	40	16	98	219	148	31	157	G1/4"	155,5	3410	LKDICDA050E1	LKDICDA050F1
63	50	16	122	266,5	179	38	190,5	G1/4"	155,5	5944	LKDICDA063E1	LKDICDA063F1



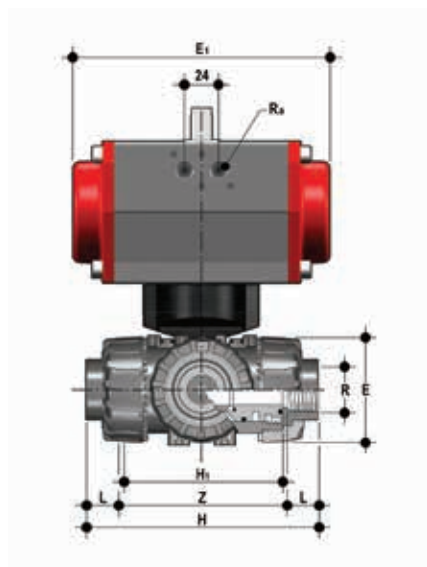
LKDIC/CP SA

Valvola a sfera a 3 vie DUAL BLOCK® con attacchi femmina per incollaggio, serie metrica con attuatore pneumatico, funzione Semplice Effetto sfera a "L"

d	DN	PN	E	H	H ₁	L	Z	R _g	E ₁	g	Codice EPDM	Codice FKM
16	10	16	54	118	80	14	90	G1/8"	138	1562	LKDICSA016E1	LKDICSA016F1
20	15	16	54	118	80	16	86	G1/8"	138	2172	LKDICSA020E1	LKDICSA020F1
25	20	16	65	145	100	19	107	G1/4"	155,5	2436	LKDICSA025E1	LKDICSA025F1
32	25	16	73	160	110	22	116	G1/4"	155,5	2732	LKDICSA032E1	LKDICSA032F1
40	32	16	86	188,5	131	26	136,5	G1/4"	155,5	3225	LKDICSA040E1	LKDICSA040F1
50	40	16	98	219	148	31	157	G1/4"	155,5	3610	LKDICSA050E1	LKDICSA050F1
63	50	16	122	266,5	179	38	190,5	G1/4"	210	6414	LKDICSA063E1	LKDICSA063F1

DIMENSIONI

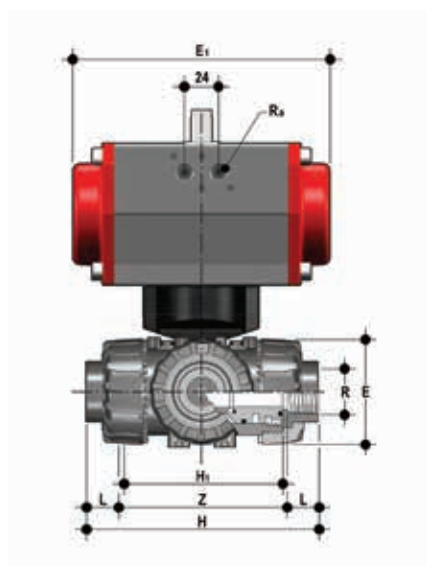
TKD/CP DN 10÷50 PVC-C



LKDNC/CP DA

Valvola a sfera a 3 vie DUAL BLOCK® con attacchi femmina, filettatura NPT con attuatore pneumatico, funzione Doppio Effetto. Sfera a "L"

R	DN	PN	E	H	H ₁	L	Z	R ₀	E ₁	g	Codice EPDM	Codice FKM
3/8"	10	16	54	118	80	13,7	90,6	G1/8"	138	1442	LKDNCDA038E1	LKDNCDA038F1
1/2"	15	16	54	126	80	18	90,4	G1/8"	138	1972	LKDNCDA012E1	LKDNCDA012F1
3/4"	20	16	65	146,4	100	18	110,4	G1/4"	155,5	2236	LKDNCDA034E1	LKDNCDA034F1
1"	25	16	73	166,6	110	22,6	121,4	G1/4"	155,5	2532	LKDNCDA100E1	LKDNCDA100F1
1" 1/4	32	16	86	195,8	131	25,1	145,6	G1/4"	155,5	3025	LKDNCDA114E1	LKDNCDA114F1
1" 1/2	40	16	98	211,4	148	24,7	162	G1/4"	155,5	3410	LKDNCDA112E1	LKDNCDA112F1
2"	50	16	122	253,8	179	29,6	194,6	G1/4"	155,5	5944	LKDNCDA200E1	LKDNCDA200F1



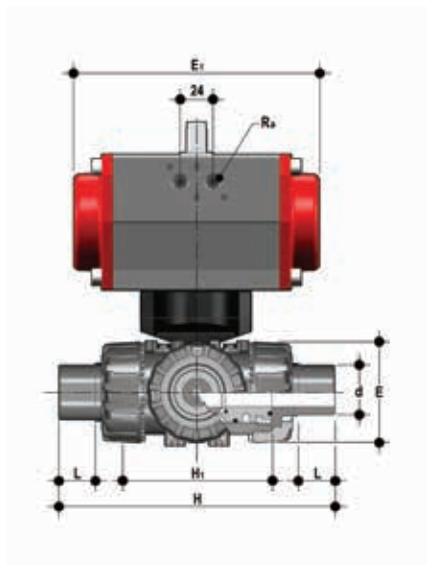
LKDNC/CP SA

Valvola a sfera a 3 vie DUAL BLOCK® con attacchi femmina, filettatura NPT con attuatore pneumatico, funzione Semplice Effetto. Sfera a "L"

R	DN	PN	E	H	H ₁	L	Z	R ₀	E ₁	g	Codice EPDM	Codice FKM
3/8"	10	16	54	118	80	13,7	90,6	G1/8"	138	1562	LKDNCSA038E1	LKDNCSA038F1
1/2"	15	16	54	126	80	18	90,4	G1/8"	138	2172	LKDNCSA012E1	LKDNCSA012F1
3/4"	20	16	65	146,4	100	18	110,4	G1/4"	155,5	2436	LKDNCSA034E1	LKDNCSA034F1
1"	25	16	73	166,6	110	22,6	121,4	G1/4"	155,5	2732	LKDNCSA100E1	LKDNCSA100F1
1" 1/4	32	16	86	195,8	131	25,1	145,6	G1/4"	155,5	3225	LKDNCSA114E1	LKDNCSA114F1
1" 1/2	40	16	98	211,4	148	24,7	162	G1/4"	155,5	3610	LKDNCSA112E1	LKDNCSA112F1
2"	50	16	122	253,8	179	29,6	194,6	G1/4"	210	6414	LKDNCSA200E1	LKDNCSA200F1

DIMENSIONI

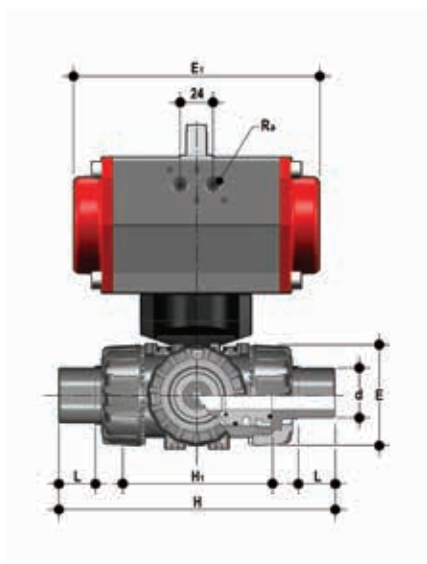
TKD/CP DN 10÷50 PVC-C



LKDDC/CP DA

Valvola a sfera a 3 vie DUAL BLOCK® con attacchi maschio metrici con attuatore pneumatico, funzione Doppio Effetto. Sfera a "L"

d	DN	PN	E	H	H ₁	L	R ₀	E ₁	g	Codice EPDM	Codice FKM
20	15	16	54	140	80	16	G1/8"	138	1972	LKDDCDA020E1	LKDDCDA020F1
25	20	16	65	175	100	19	G1/8"	155,5	2236	LKDDCDA025E1	LKDDCDA025F1
32	25	16	73	188	110	22	G1/8"	155,5	2532	LKDDCDA032E1	LKDDCDA032F1
40	32	16	86	220	131	26	G1/4"	155,5	3025	LKDDCDA040E1	LKDDCDA040F1
50	40	16	98	251	148	31	G1/4"	155,5	3410	LKDDCDA050E1	LKDDCDA050F1
63	50	16	122	294	179	38	G1/4"	155,5	5944	LKDDCDA063E1	LKDDCDA063F1



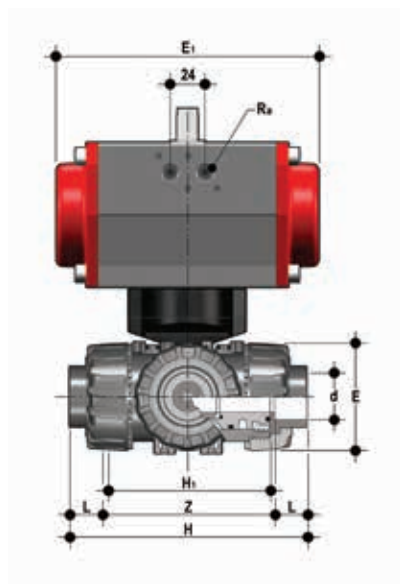
LKDDC/CP SA

Valvola a sfera a 3 vie DUAL BLOCK® con attacchi maschio metrici con attuatore pneumatico, funzione Semplice Effetto. Sfera a "L"

d	DN	PN	E	H	H ₁	L	R ₀	E ₁	g	Codice EPDM	Codice FKM
20	15	16	54	140	80	16	G1/8"	138	2172	LKDDCSA020E1	LKDDCSA020F1
25	20	16	65	175	100	19	G1/8"	155,5	2436	LKDDCSA025E1	LKDDCSA025F1
32	25	16	73	188	110	22	G1/8"	155,5	2732	LKDDCSA032E1	LKDDCSA032F1
40	32	16	86	220	131	26	G1/4"	155,5	3225	LKDDCSA040E1	LKDDCSA040F1
50	40	16	98	251	148	31	G1/4"	155,5	3610	LKDDCSA050E1	LKDDCSA050F1
63	50	16	122	294	179	38	G1/4"	155,5	6414	LKDDCSA063E1	LKDDCSA063F1

DIMENSIONI

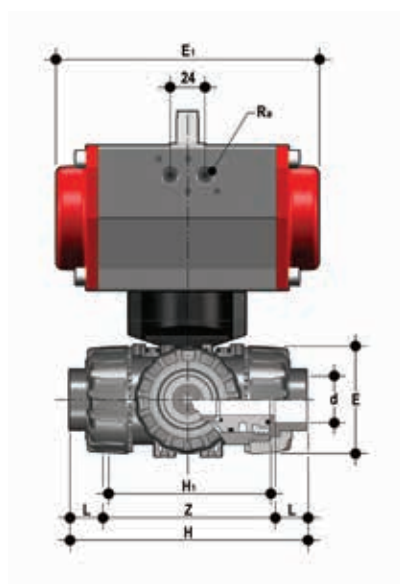
TKD/CP DN 10÷50 PVC-C



LKDAC/CP DA

Valvola a sfera a 3 vie DUAL BLOCK® con attacchi femmina per incollaggio, serie ASTM con attuatore pneumatico, funzione Doppio Effetto. Sfera a "L"

d	DN	PN	E	H	H ₁	L	Z	R _g	E ₁	g	Codice EPDM	Codice FKM
3/8"	10	16	54	132,2	80	19,5	93,2	G1/8"	138	1442	LKDACDA038E1	LKDACDA038F1
1/2"	15	16	54	132,2	80	23	86,2	G1/8"	138	1972	LKDACDA012E1	LKDACDA012F1
3/4"	20	16	65	159,2	100	25,5	108,2	G1/4"	155,5	2236	LKDACDA034E1	LKDACDA034F1
1"	25	16	73	174	110	28,7	116,6	G1/4"	155,5	2532	LKDACDA100E1	LKDACDA100F1
1" 1/4	32	16	86	205	131	32	141	G1/4"	155,5	3025	LKDACDA114E1	LKDACDA114F1
1" 1/2	40	16	98	227,6	148	35	157,6	G1/4"	155,5	3410	LKDACDA112E1	LKDACDA112F1
2"	50	16	122	267	179	38,2	190,6	G1/4"	155,5	5944	LKDACDA200E1	LKDACDA200F1



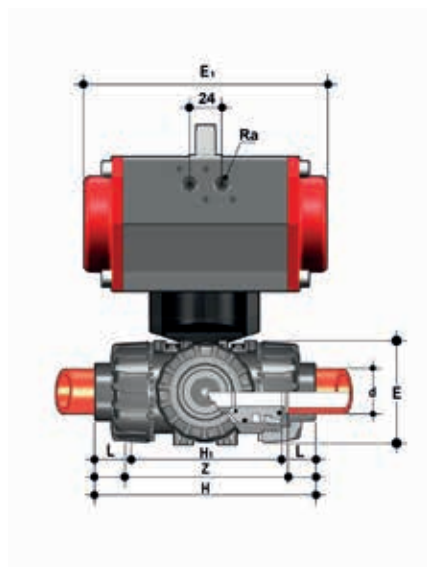
LKDAC/CP SA

Valvola a sfera a 3 vie DUAL BLOCK® con attacchi femmina per incollaggio, serie ASTM con attuatore pneumatico, funzione Semplice Effetto. Sfera a "L"

d	DN	PN	E	H	H ₁	L	Z	R _g	E ₁	g	Codice EPDM	Codice FKM
3/8"	10	16	54	132,2	80	19,5	93,2	G1/8"	138	1562	LKDACSA038E1	LKDACSA038F1
1/2"	15	16	54	132,2	80	23	86,2	G1/8"	138	2172	LKDACSA012E1	LKDACSA012F1
3/4"	20	16	65	159,2	100	25,5	108,2	G1/4"	155,5	2436	LKDACSA034E1	LKDACSA034F1
1"	25	16	73	174	110	28,7	116,6	G1/4"	155,5	2732	LKDACSA100E1	LKDACSA100F1
1" 1/4	32	16	86	205	131	32	141	G1/4"	155,5	3225	LKDACSA114E1	LKDACSA114F1
1" 1/2	40	16	98	227,6	148	35	157,6	G1/4"	155,5	3610	LKDACSA112E1	LKDACSA112F1
2"	50	16	122	267	179	38,2	190,6	G1/4"	210	6414	LKDACSA200E1	LKDACSA200F1

DIMENSIONI

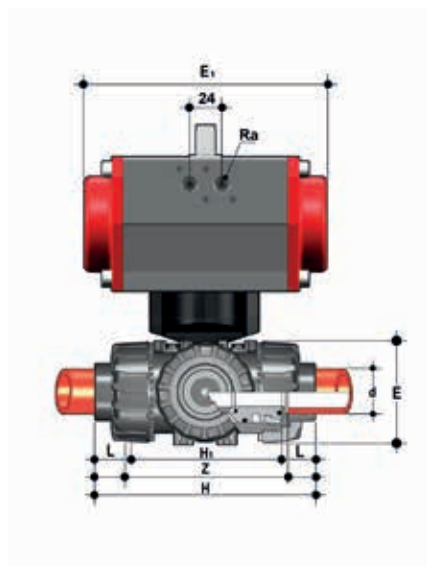
TKD/CP DN 10÷50 PP-H



TKDIM/CP DA

Valvola a sfera a 3 vie DUAL BLOCK® con attacchi femmina per saldatura di tasca con attuatore pneumatico, funzione Doppio Effetto sfera a "T", configurazione 1

d	DN	PN	E	H	H ₁	Z	R ₀	E ₁	g	Codice EPDM	Codice FKM
16	10	10	54	118	80	90	G1/8"	138	1298	TKDIMDA016E1	TKDIMDA016F1
20	15	10	54	117	80	88	G1/8"	138	1828	TKDIMDA020E1	TKDIMDA020F1
25	20	10	65	144	100	112	G1/4"	155,5	1986	TKDIMDA025E1	TKDIMDA025F1
32	25	10	73	158	110	122	G1/4"	155,5	2174	TKDIMDA032E1	TKDIMDA032F1
40	32	10	86	184	131	143	G1/4"	155,5	2458	TKDIMDA040E1	TKDIMDA040F1
50	40	10	98	219	148	172	G1/4"	155,5	2670	TKDIMDA050E1	TKDIMDA050F1
63	50	10	122	267	179	212	G1/4"	155,5	4679	TKDIMDA063E1	TKDIMDA063F1



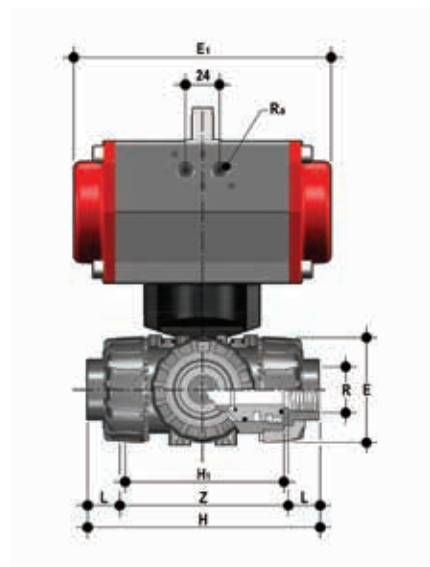
TKDIM/CP SA

Valvola a sfera a 3 vie DUAL BLOCK® con attacchi femmina per saldatura di tasca con attuatore pneumatico, funzione Semplice Effetto sfera a "T", configurazione 1

d	DN	PN	E	H	H ₁	Z	R ₀	E ₁	g	Codice EPDM	Codice FKM
16	10	10	54	118	80	90	G1/8"	138	1428	TKDIMSA016E1	TKDIMSA016F1
20	15	10	54	117	80	88	G1/8"	138	2028	TKDIMSA020E1	TKDIMSA020F1
25	20	10	65	144	100	112	G1/4"	155,5	2186	TKDIMSA025E1	TKDIMSA025F1
32	25	10	73	158	110	122	G1/4"	155,5	2374	TKDIMSA032E1	TKDIMSA032F1
40	32	10	86	184	131	143	G1/4"	155,5	2658	TKDIMSA040E1	TKDIMSA040F1
50	40	10	98	219	148	172	G1/4"	155,5	2870	TKDIMSA050E1	TKDIMSA050F1
63	50	10	122	267	179	212	G1/4"	210	5149	TKDIMSA063E1	TKDIMSA063F1

DIMENSIONI

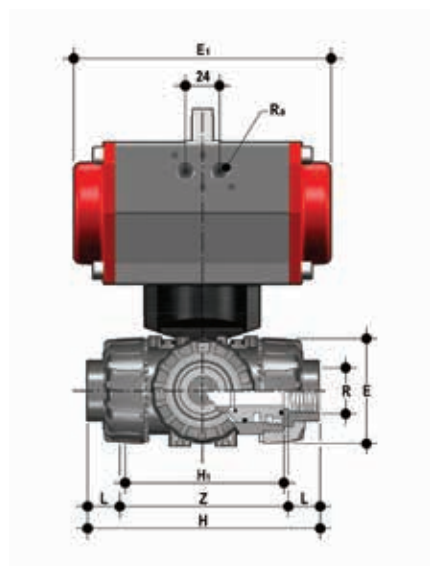
TKD/CP DN 10÷50 PP-H



TKDFM/CP DA

Valvola a 3 vie DUAL BLOCK® con attacchi femmina filettatura cilindrica gas con attuatore pneumatico, funzione Doppio Effetto sfera a "T", configurazione 1

R	DN	PN	E	H	H ₁	L	Z	R _s	E ₁	g	Codice EPDM	Codice FKM
1/2"	15	10	54	117	80	15	87	G1/8"	138	1828	TKDFMDA012E1	TKDFMDA012F1
3/4"	20	10	65	143	100	16	114	G1/4"	155,5	1986	TKDFMDA034E1	TKDFMDA034F1
1"	25	10	73	157	110	19	120	G1/4"	155,5	2174	TKDFMDA100E1	TKDFMDA100F1
1" 1/4	32	10	86	185	131	21	140	G1/4"	155,5	2458	TKDFMDA114E1	TKDFMDA114F1
1" 1/2	40	10	98	217	148	21	172	G1/4"	155,5	2670	TKDFMDA112E1	TKDFMDA112F1
2"	50	10	122	266	179	26	211	G1/4"	155,5	4679	TKDFMDA200E1	TKDFMDA200F1



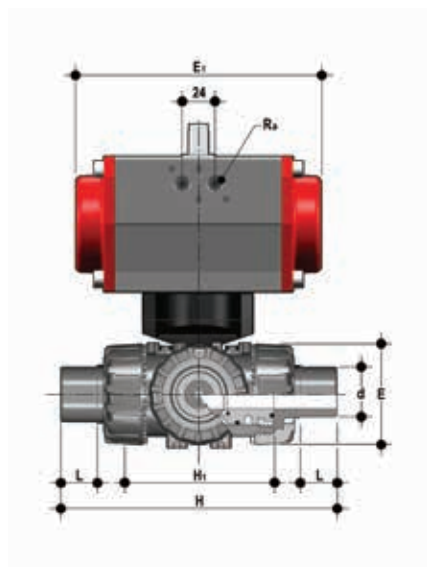
TKDFM/CP SA

Valvola a 3 vie DUAL BLOCK® con attacchi femmina filettatura cilindrica gas con attuatore pneumatico, funzione Semplice Effetto sfera a "T", configurazione 1

R	DN	PN	E	H	H ₁	L	Z	R _s	E ₁	g	Codice EPDM	Codice FKM
1/2"	15	10	54	117	80	15	87	G1/8"	138	2028	TKDFMSA012E1	TKDFMSA012F1
3/4"	20	10	65	143	100	16	114	G1/4"	155,5	2186	TKDFMSA034E1	TKDFMSA034F1
1"	25	10	73	157	110	19	120	G1/4"	155,5	2374	TKDFMSA100E1	TKDFMSA100F1
1" 1/4	32	10	86	185	131	21	140	G1/4"	155,5	2658	TKDFMSA114E1	TKDFMSA114F1
1" 1/2	40	10	98	217	148	21	172	G1/4"	155,5	2870	TKDFMSA112E1	TKDFMSA112F1
2"	50	10	122	266	179	26	211	G1/4"	210	5149	TKDFMSA200E1	TKDFMSA200F1

DIMENSIONI

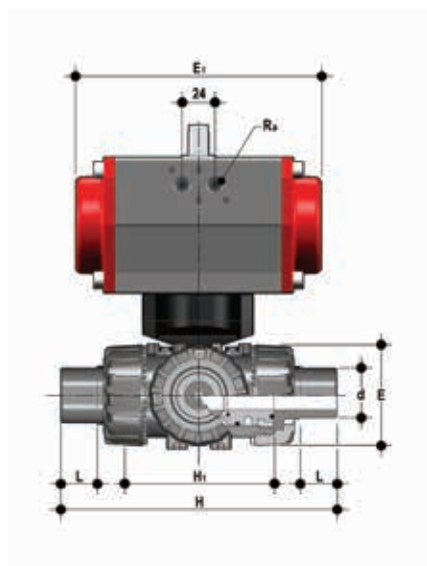
TKD/CP DN 10÷50 PP-H



TKDDM/CP DA

Valvola a sfera a 3 vie DUAL BLOCK® con attacchi maschio per saldatura di tasca con attuatore pneumatico, funzione Doppio Effetto. Sfera a "T", configurazione 1

d	DN	PN	E	H	H ₁	L	R ₀	E ₁	g	Codice EPDM	Codice FKM
20	15	10	54	140	80	16	G1/8"	138	1828	TKDDMDA020E1	TKDDMDA020F1
25	20	10	65	175	100	18	G1/8"	155,5	1986	TKDDMDA025E1	TKDDMDA025F1
32	25	10	73	188	110	20	G1/8"	155,5	2174	TKDDMDA032E1	TKDDMDA032F1
40	32	10	86	220	131	22	G1/4"	155,5	2458	TKDDMDA040E1	TKDDMDA040F1
50	40	10	98	251	148	23	G1/4"	155,5	2670	TKDDMDA050E1	TKDDMDA050F1
63	50	10	122	294	179	29	G1/4"	155,5	4679	TKDDMDA063E1	TKDDMDA063F1



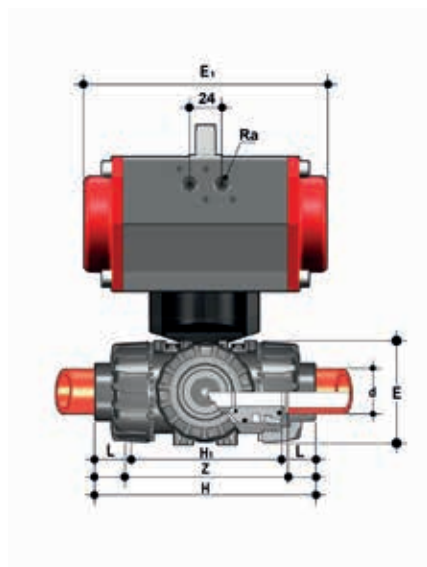
TKDDM/CP SA

Valvola a sfera a 3 vie DUAL BLOCK® con attacchi maschio per saldatura di tasca con attuatore pneumatico, funzione Semplice Effetto. Sfera a "T", configurazione 1

d	DN	PN	E	H	H ₁	L	R ₀	E ₁	g	Codice EPDM	Codice FKM
20	15	10	54	140	80	16	G1/8"	138	2028	TKDDMSA020E1	TKDDMSA020F1
25	20	10	65	175	100	18	G1/8"	155,5	2186	TKDDMSA025E1	TKDDMSA025F1
32	25	10	73	188	110	20	G1/8"	155,5	2374	TKDDMSA032E1	TKDDMSA032F1
40	32	10	86	220	131	22	G1/4"	155,5	2658	TKDDMSA040E1	TKDDMSA040F1
50	40	10	98	251	148	23	G1/4"	155,5	2870	TKDDMSA050E1	TKDDMSA050F1
63	50	10	122	294	179	29	G1/4"	210	5149	TKDDMSA063E1	TKDDMSA063F1

DIMENSIONI

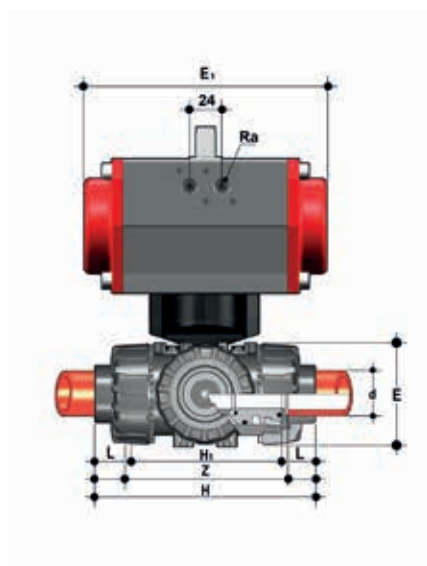
TKD/CP DN 10÷50 PP-H



LKDIM/CP DA

Valvola a sfera a 3 vie DUAL BLOCK® con attacchi femmina per saldatura di tasca con attuatore pneumatico, funzione Doppio Effetto sfera a "L"

d	DN	PN	E	H	H ₁	Z	R ₀	E ₁	g	Codice EPDM	Codice FKM
16	10	10	54	118	80	90	G1/8"	138	1298	LKDIMDA016E1	LKDIMDA016F1
20	15	10	54	117	80	88	G1/8"	138	1828	LKDIMDA020E1	LKDIMDA020F1
25	20	10	65	144	100	112	G1/4"	155,5	1986	LKDIMDA025E1	LKDIMDA025F1
32	25	10	73	158	110	122	G1/4"	155,5	2174	LKDIMDA032E1	LKDIMDA032F1
40	32	10	86	184	131	143	G1/4"	155,5	2458	LKDIMDA040E1	LKDIMDA040F1
50	40	10	98	219	148	172	G1/4"	155,5	2670	LKDIMDA050E1	LKDIMDA050F1
63	50	10	122	267	179	212	G1/4"	155,5	4679	LKDIMDA063E1	LKDIMDA063F1



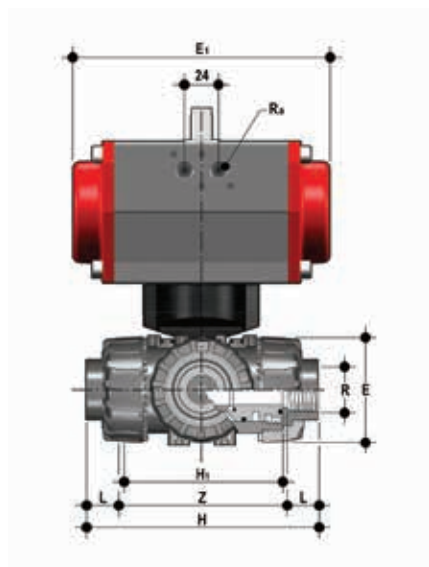
LKDIM/CP SA

Valvola a sfera a 3 vie DUAL BLOCK® con attacchi femmina per saldatura di tasca con attuatore pneumatico, funzione Semplice Effetto sfera a "L"

d	DN	PN	E	H	H ₁	Z	R ₀	E ₁	g	Codice EPDM	Codice FKM
16	10	10	54	118	80	90	G1/8"	138	1428	LKDIMSA016E1	LKDIMSA016F1
20	15	10	54	117	80	88	G1/8"	138	2028	LKDIMSA020E1	LKDIMSA020F1
25	20	10	65	144	100	112	G1/4"	155,5	2186	LKDIMSA025E1	LKDIMSA025F1
32	25	10	73	158	110	122	G1/4"	155,5	2374	LKDIMSA032E1	LKDIMSA032F1
40	32	10	86	184	131	143	G1/4"	155,5	2658	LKDIMSA040E1	LKDIMSA040F1
50	40	10	98	219	148	172	G1/4"	155,5	2870	LKDIMSA050E1	LKDIMSA050F1
63	50	10	122	267	179	212	G1/4"	210	5149	LKDIMSA063E1	LKDIMSA063F1

DIMENSIONI

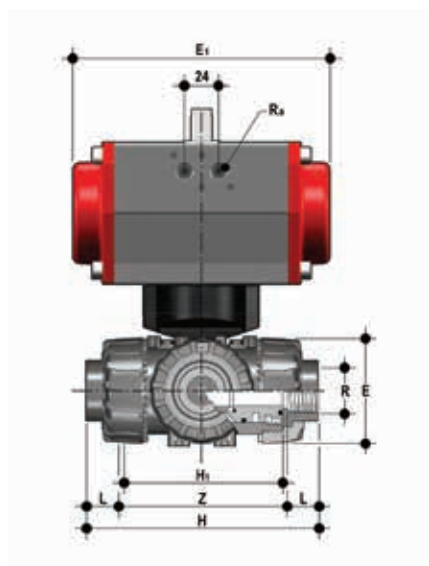
TKD/CP DN 10÷50 PP-H



LKDFM/CP DA

Valvola a 3 vie DUAL BLOCK® con attacchi femmina filettatura cilindrica gas con attuatore pneumatico, funzione Doppio Effetto sfera a "L"

R	DN	PN	E	H	H ₁	L	Z	R _s	E ₁	g	Codice EPDM	Codice FKM
1/2"	15	10	54	117	80	15	87	G1/8"	138	1828	LKDFMDA012E1	LKDFMDA012F1
3/4"	20	10	65	143	100	16	114	G1/4"	155,5	1986	LKDFMDA034E1	LKDFMDA034F1
1"	25	10	73	157	110	19	120	G1/4"	155,5	2174	LKDFMDA100E1	LKDFMDA100F1
1" 1/4	32	10	86	185	131	21	140	G1/4"	155,5	2458	LKDFMDA114E1	LKDFMDA114F1
1" 1/2	40	10	98	217	148	21	172	G1/4"	155,5	2670	LKDFMDA112E1	LKDFMDA112F1
2"	50	10	122	266	179	26	211	G1/4"	155,5	4679	LKDFMDA200E1	LKDFMDA200F1



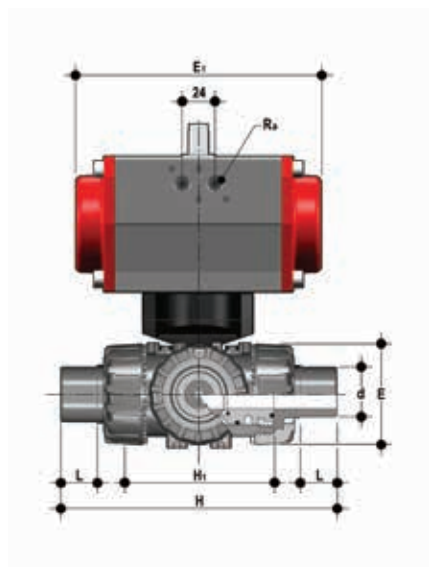
LKDFM/CP SA

Valvola a 3 vie DUAL BLOCK® con attacchi femmina filettatura cilindrica gas con attuatore pneumatico, funzione Semplice Effetto sfera a "L"

R	DN	PN	E	H	H ₁	L	Z	R _s	E ₁	g	Codice EPDM	Codice FKM
1/2"	15	10	54	117	80	15	87	G1/8"	138	2028	LKDFMSA012E1	LKDFMSA012F1
3/4"	20	10	65	143	100	16	114	G1/4"	155,5	2186	LKDFMSA034E1	LKDFMSA034F1
1"	25	10	73	157	110	19	120	G1/4"	155,5	2374	LKDFMSA100E1	LKDFMSA100F1
1" 1/4	32	10	86	185	131	21	140	G1/4"	155,5	2658	LKDFMSA114E1	LKDFMSA114F1
1" 1/2	40	10	98	217	148	21	172	G1/4"	155,5	2870	LKDFMSA112E1	LKDFMSA112F1
2"	50	10	122	266	179	26	211	G1/4"	210	5149	LKDFMSA200E1	LKDFMSA200F1

DIMENSIONI

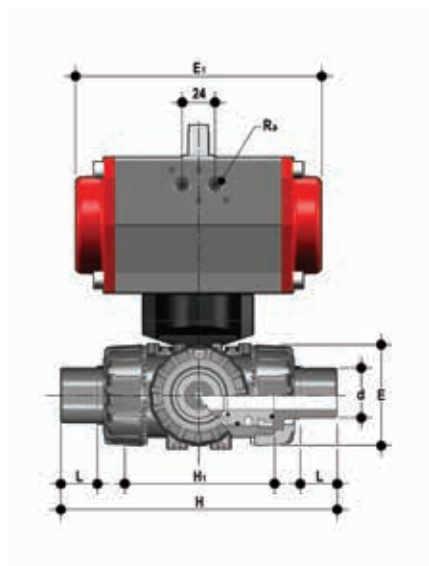
TKD/CP DN 10÷50 PP-H



LKDDM/CP DA

Valvola a sfera a 3 vie DUAL BLOCK® con attacchi maschio per saldatura di tasca con attuatore pneumatico, funzione Doppio Effetto. Sfera a "L"

d	DN	PN	E	H	H ₁	L	R ₀	E ₁	g	Codice EPDM	Codice FKM
20	15	10	54	140	80	16	G1/8"	138	1828	LKDDMDA020E1	LKDDMDA020F1
25	20	10	65	175	100	18	G1/8"	155,5	1986	LKDDMDA025E1	LKDDMDA025F1
32	25	10	73	188	110	20	G1/8"	155,5	2174	LKDDMDA032E1	LKDDMDA032F1
40	32	10	86	220	131	22	G1/4"	155,5	2458	LKDDMDA040E1	LKDDMDA040F1
50	40	10	98	251	148	23	G1/4"	155,5	2670	LKDDMDA050E1	LKDDMDA050F1
63	50	10	122	294	179	29	G1/4"	155,5	4679	LKDDMDA063E1	LKDDMDA063F1



LKDDM/CP SA

Valvola a sfera a 3 vie DUAL BLOCK® con attacchi maschio per saldatura di tasca con attuatore pneumatico, funzione Semplice Effetto. Sfera a "L"

d	DN	PN	E	H	H ₁	L	R ₀	E ₁	g	Codice EPDM	Codice FKM
20	15	10	54	140	80	16	G1/8"	138	2028	LKDDMSA020E1	LKDDMSA020F1
25	20	10	65	175	100	18	G1/8"	155,5	2186	LKDDMSA025E1	LKDDMSA025F1
32	25	10	73	188	110	20	G1/8"	155,5	2374	LKDDMSA032E1	LKDDMSA032F1
40	32	10	86	220	131	22	G1/4"	155,5	2658	LKDDMSA040E1	LKDDMSA040F1
50	40	10	98	251	148	23	G1/4"	155,5	2870	LKDDMSA050E1	LKDDMSA050F1
63	50	10	122	294	179	29	G1/4"	210	5149	LKDDMSA063E1	LKDDMSA063F1

STAFFAGGIO E SUPPORTAZIONE

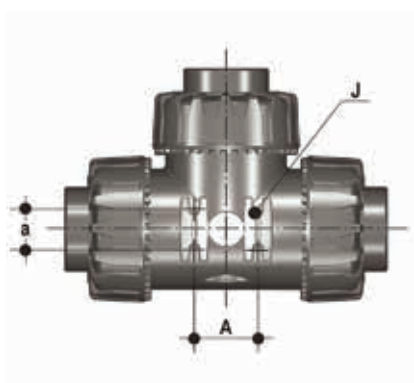


Tutte le valvole, sia manuali che motorizzate, necessitano in molte applicazioni di essere adeguatamente supportate.

La serie di valvole TKD è dotata di supporti integrati che permettono un ancoraggio diretto sul corpo valvola senza bisogno di ulteriori componenti.

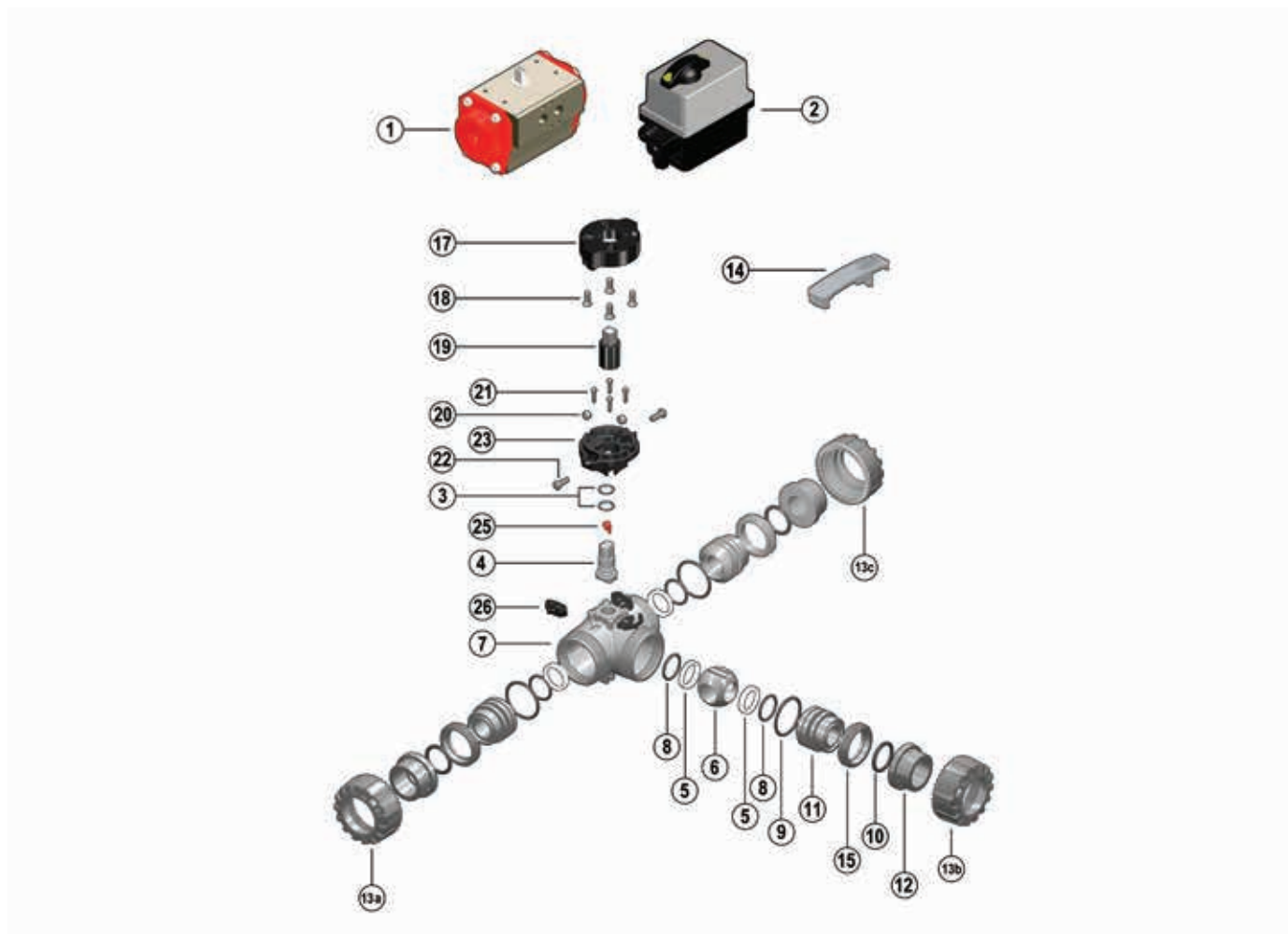
Utilizzando dadi filettati standard (non inclusi) in acciaio inossidabile, è possibile ancorare la valvola su 4 punti di fissaggio.

d	DN	a	A	J
16	10	20	31	M5
20	15	20	31	M5
25	20	20	31	M5
32	25	20	31	M5
40	32	30	50	M6
50	40	30	50	M6
63	50	30	50	M6



COMPONENTI

ESPLOSO



- | | | | | | |
|----------|---|-----------|---|-----------|---|
| 1 | Attuatore Pneumatico (Alluminio trattato - 1) | 8 | O-Ring della guarnizione di tenuta della sfera (EPDM-FKM - 4)* | 15 | Anello filettato (PVC-U / PVC-C / PP-H - 3) |
| 2 | Attuatore elettrico (PA6-Nylon - 1) | 9 | O-Ring di tenuta radiale (EPDM-FKM - 3) | 17 | Piattello superiore (PP-GR - 1) |
| 3 | Guarnizione dell'asta comando (EPDM-FKM - 2)* | 10 | O-Ring di tenuta testa (EPDM-FKM - 3)* | 18 | Vite (Acciaio INOX - 4) |
| 4 | Asta comando (PVC-U / PVC-C / PP-H - 1) | 11 | Supporto della guarnizione della sfera (PVC-U / PVC-C / PP-H - 3) | 19 | Modulo di collegamento (PP-GR - 1) |
| 5 | Guarnizione di tenuta della sfera (PTFE - 4)* | 12 | Manicotto (PVC-U / PVC-C / PP-H - 3)* | 20 | Dado (Acciaio INOX - 2) |
| 6 | Sfera (PVC-U / PVC-C / PP-H - 1) | 13 | Ghiera (PVC-U / PVC-C / PP-H - 3) | 21 | Vite (Acciaio INOX - 4) |
| 7 | Cassa (PVC-U / PVC-C / PP-H - 1) | 14 | Inserto maniglia (PVC-U - 1) | 22 | Vite (Acciaio INOX - 2) |
| | | | | 23 | Piattello inferiore (PP-GR - 1) |
| | | | | 25 | Indicatore di posizione (POM - 1) |
| | | | | 26 | DUAL BLOCK® (POM - 3) |

* Parti di ricambio

Tra parentesi è indicato il materiale del componente e la quantità fornita

SMONTAGGIO

- 1) Isolare la valvola dalla linea (togliere la pressione e svuotare la tubazione).
- 2) Disconnettere l'attuatore dalla linea di alimentazione dell'aria compressa e/o energia elettrica.
- 3) Rimuovere le due viti (22) e sollevare l'attuatore (1/2) insieme al piattello (17).
- 4) Sbloccare le ghiere premendo sulla leva del DUAL BLOCK® (26) in direzione assiale allontanandola dalla ghiera (fig.1). È comunque possibile rimuovere completamente il dispositivo di blocco dal corpo valvola.
- 5) Svitare completamente le ghiere (13) e sfilare lateralmente la cassa (6).
- 6) Con l'apposito inserto (14) fornito in dotazione introdurre le due sporgenze nelle corrispondenti aperture del supporto della guarnizione (11), estraendolo con una rotazione antioraria (fig. 2).
- 7) Estrarre la sfera (6) dalla bocca centrale b avendo cura di non danneggiare la superficie di tenuta.
- 8) Estrarre il modulo di collegamento (19) tirandolo verso l'alto.
- 9) Premere sull'asta comando (4) verso l'interno fino ad estrarla dalla cassa.
- 10) Rimuovere gli O-Ring (3, 8, 9, 10) e le guarnizioni di tenuta della sfera in PTFE (5) estraendoli dalla loro sedi, come da esploso.

MONTAGGIO

- 1) Tutti gli O-Ring (3, 8, 9, 10) vanno inseriti nelle loro sedi, come da esploso.
- 2) Inserire l'asta comando (4) dall'interno della cassa, avendo cura che l'indicatore ottico di posizione (25) posto sulla testa dell'asta corrisponda alla posizione delle uscite della sfera.
- 3) Inserire le guarnizioni di tenuta della sfera in PTFE (5) nelle sedi della cassa (7) e del supporto (11).
- 4) Inserire la sfera (6) dalla bocca centrale b avendo cura che i tre fori siano in corrispondenza con le tre uscite (per la sfera a L i due fori dovranno essere in corrispondenza con le bocche a e b)
- 5) Inserire nella cassa i tre supporti (11) e avvitare in senso orario servendosi dell'apposito inserto (14) fino a battuta seguendo la sequenza di fig.3 (sfera a L) e fig.4 (sfera a T)
- 6) Se precedentemente rimosso, rimontare il sistema DUAL BLOCK® (26) sul corpo valvola
- 7) Inserire la valvola tra i manicotti (12) e serrare le ghiere (13), avendo cura che gli O-Ring di tenuta di testa (10) non fuoriescano dalle sedi.
- 8) Inserire il modulo di collegamento (19) sull'asta di comando (4)
- 9) Rimontare l'attuatore (1/2) con il piattello (17) sulla valvola assicurandosi che la posizione della sfera (6) e dell'asse dell'attuatore siano allineati.
- 10) Serrare le due viti (22) e ricollegare l'attuatore all'alimentazione pneumatica e/o elettrica.



Tutte le operazioni su apparecchiature in pressione o contenenti molle compresse devono essere effettuate in condizioni di sicurezza per l'operatore.

Nota: è consigliabile nelle operazioni di montaggio, lubrificare le guarnizioni in gomma. A tale proposito si ricorda la non idoneità all'uso degli olii minerali, che sono aggressivi per la gomma EPDM.

Le foto si riferiscono alla versione manuale e sono a titolo esemplificativo.

Fig. 1



Fig. 2



Fig. 3

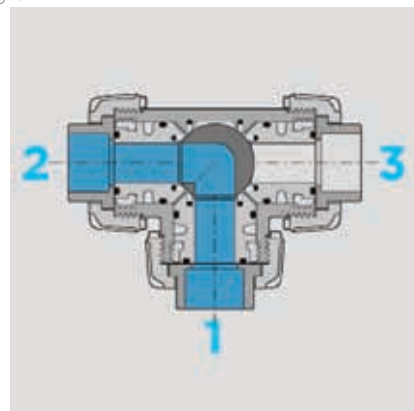
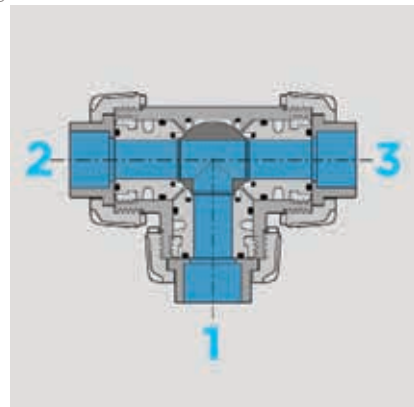


Fig. 4



INSTALLAZIONE

Prima di procedere all'installazione seguire attentamente le istruzioni di montaggio:

- 1) Verificare che le tubazioni a cui deve essere collegata la valvola siano allineate in modo da evitare sforzi meccanici sulle connessioni filettate della stessa.
- 2) Verificare che sul corpo valvola sia installato il sistema di blocco ghiera DUAL BLOCK® (26).
- 3) Sbloccare le ghiera (13) premendo assialmente sull'apposita leva di sblocco per allontanare il blocco dalla ghiera e poi svitare in senso antiorario la stessa.
- 4) Procedere con lo svitamento delle ghiera (13) e all'inserimento delle stesse sui tratti di tubo.
- 5) Procedere all'incollaggio o saldatura o avvitarlo dei manicotti (12) sui tratti di tubo.
- 6) Posizionare il corpo valvola fra i manicotti e serrare completamente le ghiera (13) a mano in senso orario, senza utilizzare chiavi o altri utensili che possano danneggiare la superficie delle ghiera.
- 7) Bloccare le ghiera riposizionando il DUAL BLOCK® nella sua apposita sede, premendo su di esso affinché i due arpioni ingaggino le ghiera.
- 8) Se richiesto supportare la tubazione per mezzo dei fermatubi FIP o per mezzo del supporto integrato nella valvola (vedi il paragrafo "staffaggio e supportazione").

La regolazione delle tenute può essere effettuata utilizzando l'insero estraibile sulla maniglia (fig.2). Dopo aver posizionato la sfera come in figura 3-4, usando tale inserto come attrezzo è possibile effettuare la regolazione delle tenute avvicinando i supporti secondo la sequenza indicata (fig. 3-4)

Una seconda regolazione delle tenute può essere effettuata con la valvola installata sulla tubazione semplicemente serrando ulteriormente le ghiera.

Tale "micro-regolazione", possibile solo con le valvole FIP grazie al sistema brevettato "Seat stop system", permette di recuperare la tenuta, laddove vi fosse un consumo delle guarnizioni di tenuta, laddove vi fosse un consumo delle guarnizioni di tenuta della sfera in PTFE dovuto all'usura per un elevato numero di manovre.

AVVERTENZE

- In caso di utilizzo di liquidi volatili come per esempio Idrogeno Perossido (H₂O₂) o Ipoclorito di Sodio (NaClO) si consiglia per ragioni di sicurezza di contattare il servizio tecnico. Tali liquidi, vaporizzando, potrebbero creare pericolose sovrappressioni nella zona tra cassa e sfera.
- Evitare sempre brusche manovre di chiusura che possono generare colpi d'ariete. A tale scopo si consiglia di corredare gli attuatori pneumatici di riduttori di velocità dell'aria.

ОФИЦИАЛЬНЫЙ ПРЕДСТАВИТЕЛЬ FIP В УКРАИНЕ

«ВОДООБРАБОТКА И ОБОРУДОВАНИЕ»

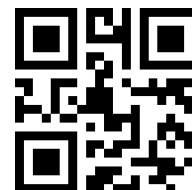
г.Киев, ул.Верховинная, 35

Тел. +380 44 424-90-31

Fax +380 44 424-90-32

info@pvcpipe.ua

www.pvcpipe.ua



FIP Formatura Iniezione Polimeri

Loc. Pian di Parata, 16015 Casella Genova Italy

Tel. +39 010 9621.1

Fax +39 010 9621.209

info.fip@aliaxis.com

www.fipnet.com

